



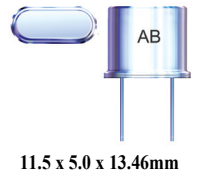
**THE DATASHEET OF
AB-1.8432MHZ-B2**



HC49/U CRYSTAL

AB

 RoHS/RoHS II Compliant



11.5 x 5.0 x 13.46mm

Moisture Sensitivity Level (MSL) – This product is not Moisture Sensitive - MSL = 1

FEATURES:

- High precision availability
- Resistance welded
- Ideal for large pullability application
- Wide frequency range

APPLICATIONS:

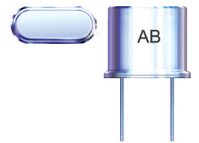
- CPU, Memory
- Computer, printer
- Data communication (1MHz)
- Data input - output machine (1MHz)

STANDARD SPECIFICATIONS:

Parameters	Minimum	Typical	Maximum	Units	Notes
Frequency Range	1.8432		160.000	MHz	
Operation Mode	Fundamental				1.8432MHz – 24.000MHz
	3 rd Overtone				24.01MHz – 66.00MHz
	5 th Overtone				66.01MHz – 122.00MHz
	7 th Overtone				122.01MHz – 160.00MHz
Operating Temperature	0		+70	°C	See options
Storage Temperature	-55		+125	°C	
Frequency Tolerance @+25°C	-50		+50	ppm	See options
Frequency Stability over the operating temperature (ref. to +25°C)	-100		+100	ppm	See options
Equivalent series resistance (R1)	See table 1 below			Ω	
Shunt capacitance (C0)			7	pF	
Load capacitance (CL)		18		pF	See options
Drive Level		100	1000	μW	
Aging@25°C±3°C			±5	ppm	First year
Insulation Resistance	500			M Ω	@100Vdc±15V
Drive level dependency (DLD), minimum 7 points tested: from 1μW to 500μW.	Change in frequency (Maximum - Minimum) over DLD range < ±10ppm; Change in ESR (Maximum - Minimum) over DLD range < 25% of Max ESR value; Maximum ESR over DLD range < Max ESR value.				

Table 1

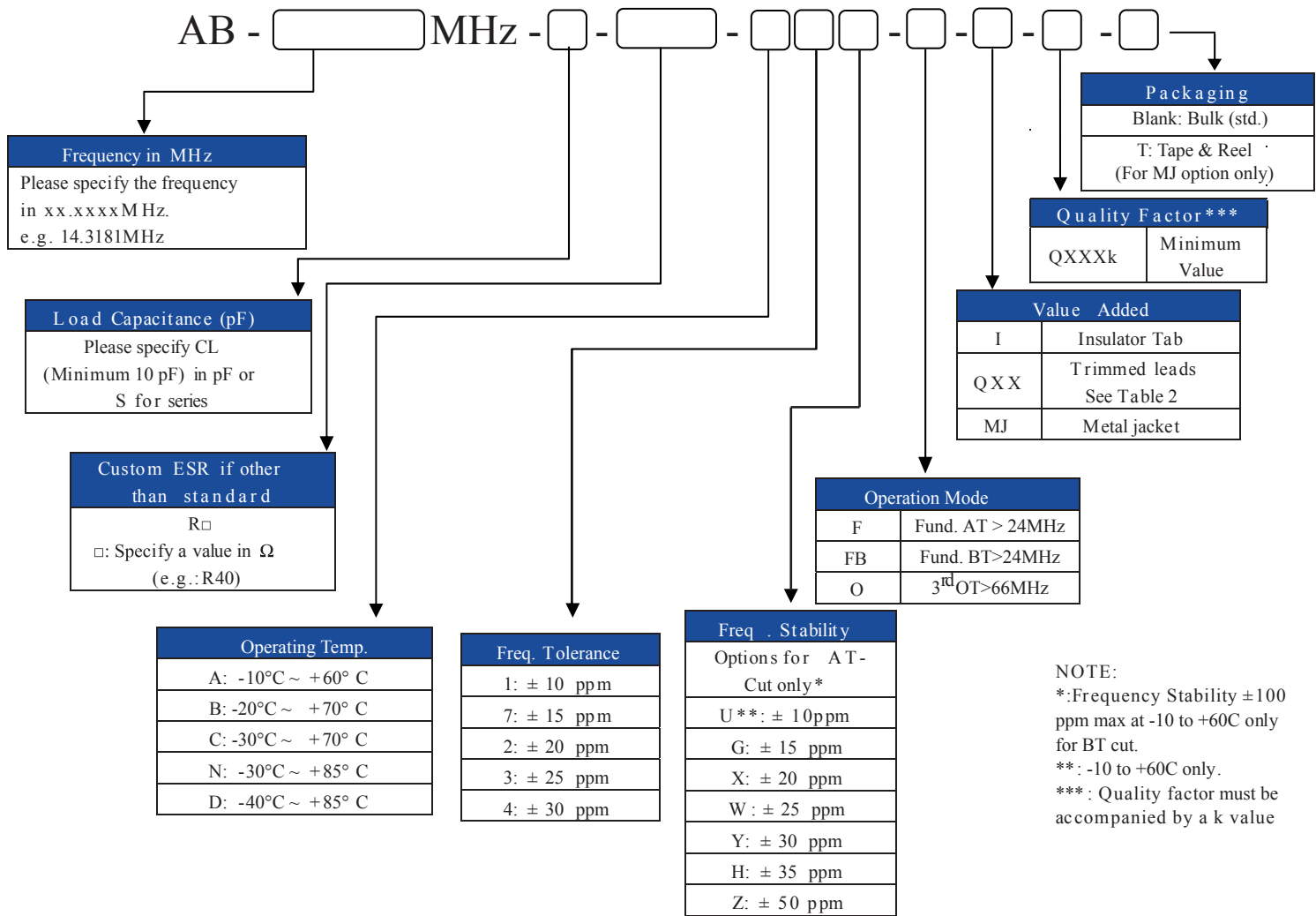
FREQUENCY (MHz)	Operation Mode	ESR (Ω) max	
1.8432-1.999	HC49/U Fundamental	750	
2.000-2.399		550	
2.400-2.999		350	
3.000-3.699		200	
3.700-4.199		100	
4.200-4.899		70	
4.900-5.999		50	
6.000-7.999		40	
8.000-9.999		35	
10.000-12.499		30	
12.50-50.00		25	
24.00-66.00		HC49/U (3rd OT)	40
66.01-122.00		HC49/U (5th OT)	80
122.01-160.00	HC49/U (7th OT)	120	



11.5 x 5.0 x 13.46mm

OPTIONS AND PART IDENTIFICATION:

(Left blank if standard)



NOTE:
*: Frequency Stability ±100 ppm max at -10 to +60C only for BT cut.
**: -10 to +60C only.
***: Quality factor must be accompanied by a k value

Table 2

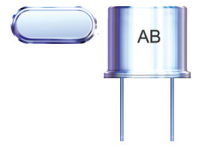
CODES	TRIMMED L in(mm)
Q45	0.45 (11.43)
Q40	0.40 (10.16)
Q35	0.35 (8.89)
Q30	0.30 (7.62)
Q25	0.25 (6.35)
Q20	0.20 (5.08)
Q15	0.15 (3.81)
Q10	0.10 (2.54)
Q115	0.115 (2.92)

NOTE: Use appropriate code numbers for other trimmed lengths not listed.
(e.g. Q14 for 0.14 inch (3.55 mm))

HC49/U CRYSTAL

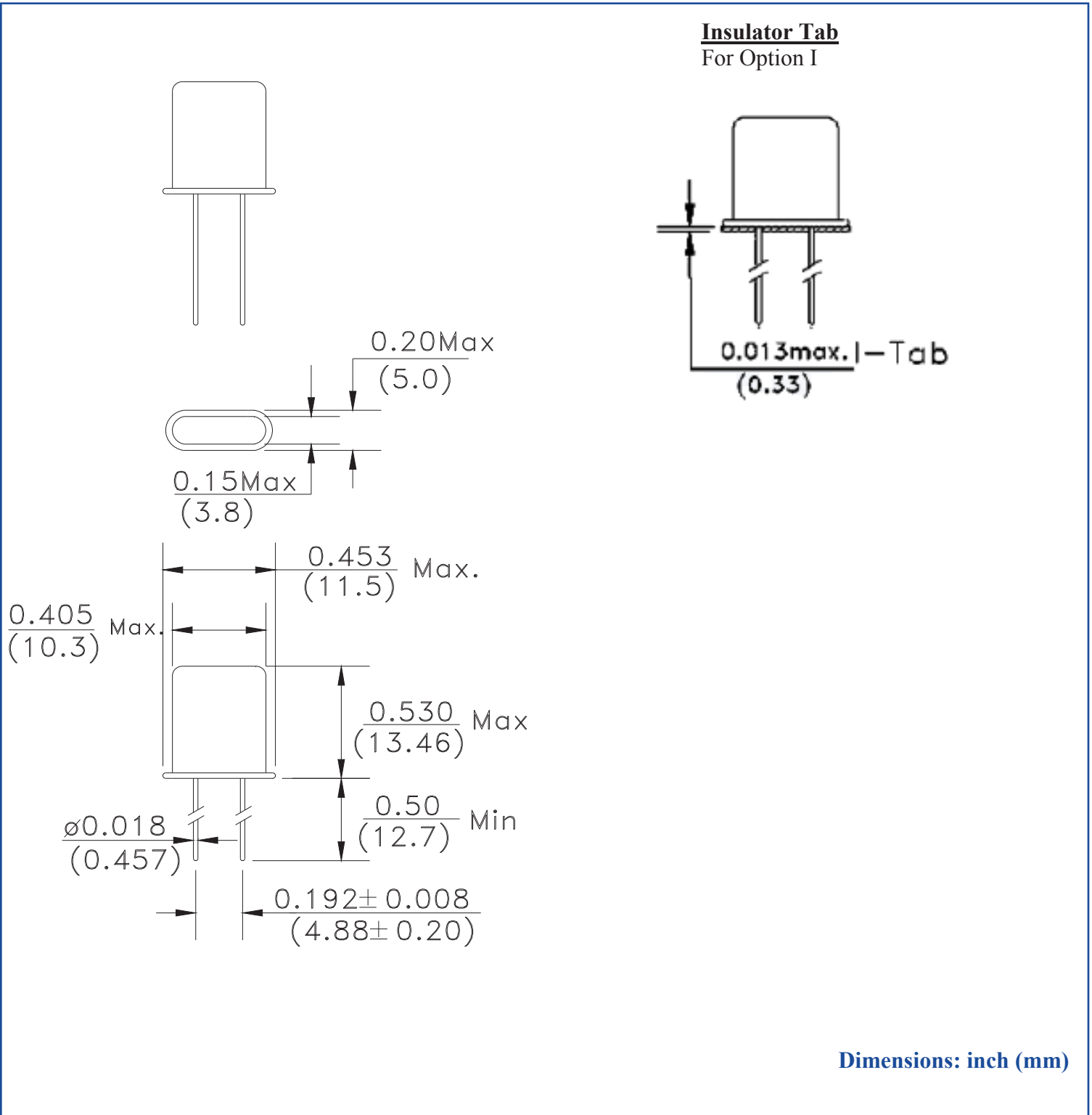
AB

 RoHS/RoHS II Compliant

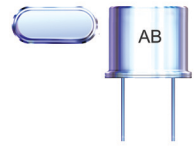


11.5 x 5.0 x 13.46mm

OUTLINE DRAWING:



HC49/U CRYSTAL



11.5 x 5.0 x 13.46mm

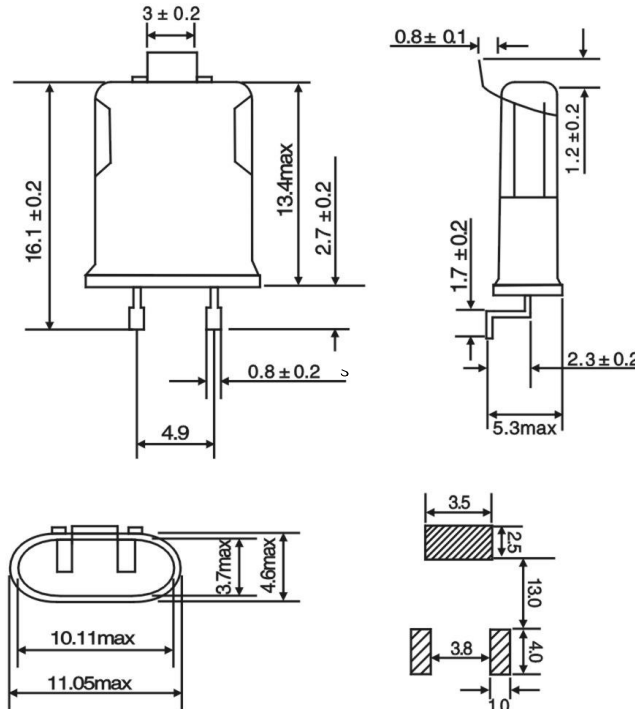
AB

Pb RoHS/RoHS II Compliant

OUTLINE DIMENSION CONTD...

Metal Jacket Formed Leads

For Option MJ

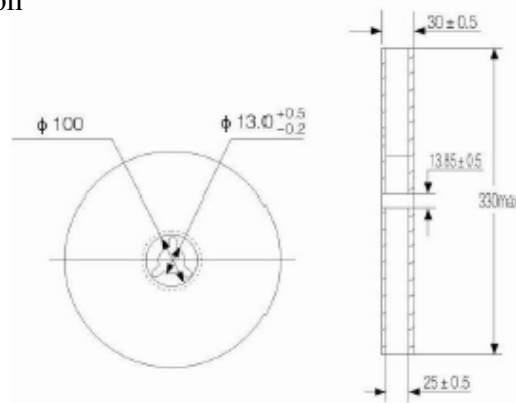
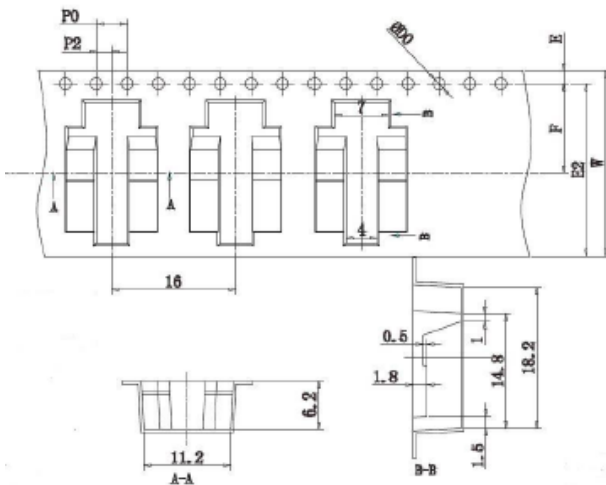


Dimensions: mm

TAPE & REEL:

T: 1,000 pcs/reel

Tape and reel packaging applies only to MJ (metal jacket) option



Dimensions: mm

E	E2	F	P2	ØD0	P0	W
1.75±0.10	22.25 MIN.	11.5±0.10	2.00±0.10	1.50±0.10	4.00±0.10	24.00±0.30

ATTENTION: Abracon LLC's products are COTS – Commercial-Off-The-Shelf products; suitable for Commercial, Industrial and, where designated, Automotive Applications. Abracon's products are not specifically designed for Military, Aviation, Aerospace, Life-dependant Medical applications or any application requiring high reliability where component failure could result in loss of life and/or property. For applications requiring high reliability and/or presenting an extreme operating environment, written consent and authorization from Abracon LLC is required. Please contact Abracon LLC for more information.



5101 Hidden Creek Ln Spicewood TX 78669
 Phone: 512-371-6159 | Fax: 512-351-8858
 For terms and conditions of sales, please visit:
www.abracon.com

REVISED: 10.29.2018

ABRACON IS
 ISO9001-2015
 CERTIFIED

Looking for pricing, stock, or lifecycle information?

Click below to explore more details on WIN SOURCE:

- ⊖ [View AB-1.8432MHZ-B2 on WIN SOURCE](#)
- ⊖ [Abracon LLC Information](#)

Optimize Your Supply Chain with WIN SOURCE Solutions

- ✓ Global Sourcing Solution
- ✓ Obsolete Management
- ✓ Cost Control Management
- ✓ Shortage Management
- ✓ Alternative Solution
- ✓ Excess Inventory Management