



**THE DATASHEET OF
AAT4687IJQ-1-T1**



AAT4687: Over-Voltage Protection Switch

Applications

- Cell phones
- Digital still cameras
- GPS
- MP3 players
- Personal data assistants (PDAs)
- USB hot-swap/live-insertion devices

Features

- Over-voltage protection up to 28 V
- Fixed or adjustable over-voltage protection threshold
- 3 V under-voltage lockout threshold
- Fast OVP response:
 - 0.7 μ s typical to over-voltage transient
- Low operation quiescent current:
 - 30 μ A typical
 - 1 μ A max in shutdown (disabled)
- Thermal shutdown protection
- 100 m Ω typical (130 m Ω Max.) $R_{DS(ON)}$ at 5 V
- OVP, OTP fault indicator
- 1.8 A maximum continuous current
- Temperature range: -40°C to $+85^{\circ}\text{C}$
- SC70JW (10-pin, 2.2 mm \times 2.0 mm) package (MSL1, 260 $^{\circ}\text{C}$ per JEDEC J-STD-020)



Skyworks Green™ products are compliant with all applicable legislation and are halogen-free. For additional information, refer to *Skyworks Definition of Green™*, document number SQ04-0074.

Description

The AAT4687 OVPSwitch™ is a member of the Skyworks Application Specific Power MOSFET (ASPM™) product family. It is a P-channel MOSFET power switch with precise over-voltage protection control, designed to protect low-voltage systems against high-voltage faults up to +28 V. If the input voltage exceeds the programmed over-voltage threshold, the P-channel MOSFET switch is turned off to prevent damage to the output load circuits. The AAT4687 is available with an internally programmed over-voltage trip point or as an adjustable version programmed by two external resistors.

The AAT4687 includes an under-voltage lockout (UVLO) protection circuit, which puts the device into sleep mode at low input voltages, consuming less than 1 μ A of current. The AAT4687 also includes an enable pin ($\overline{\text{EN}}$) to enable or disable the device and an OVP, OTP fault indicator ($\overline{\text{FLT}}$).

The AAT4687 is offered in a small 10-pin, 2.2 mm \times 2.0 mm SC70JW package, and is specified for operation over the -40°C to $+85^{\circ}\text{C}$ ambient temperature range.

A typical application circuit is shown in Figure 1. The pin configurations are shown in Figure 2. Signal pin assignments and functional pin descriptions are provided in Table 1.

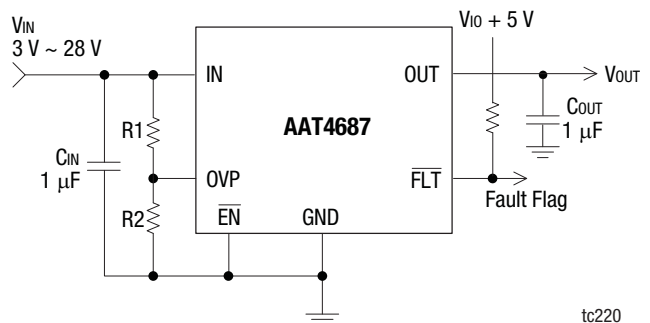


Figure 1. AAT4687 Typical Application Circuit

tc220

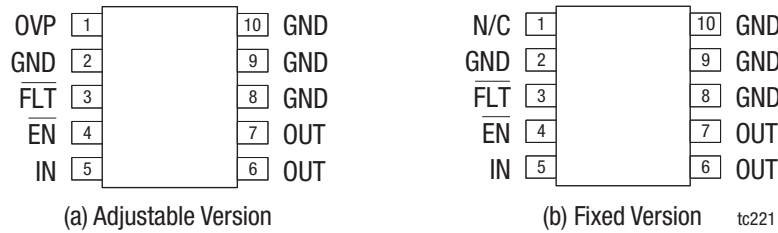


Figure 2. AAT4687 Pinout – 10-Pin, 2.2 mm × 2.0 mm SC70JW (Top View)

Table 1. AAT4687 Signal Descriptions

Pin Number		Name	Description
Adjustable	Fixed		
1	N/C	OVP	Over-voltage protection threshold input (adjustable only). In the fixed version, this pin is not connected.
2, 8, 9, 10		GND	Ground connection pin.
3		FLT	Over-voltage or over-temperature fault reporting output pin. Open drain. FLT goes low when input voltage exceeds the over-voltage threshold or an over-temperature fault occurs. An external pull up resistor to Vio (6.5 V max) should be added.
4		EN	Enable input pin, active low. An internal pull-down resistor is connected on this pin. Connect to ground for normal operation. Connect to high (6.5 V Max) to shut down the device, which then draws less than 1 μA of current.
5		IN	Power input pin. Connect 1 μF capacitor from IN to GND.
6, 7		OUT	Output. Connect a 0.1 μF ~ 47 μF capacitor from OUT to GND.

Electrical and Mechanical Specifications

The absolute maximum ratings of the AAT4687 are provided in Table 2, the thermal information is listed in Table 3, and electrical specifications are provided in Table 4.

Typical performance characteristics of the AAT4687 are shown in Figures 3 through 20

Table 2. AAT4687 Absolute Maximum Ratings (Note 1)

Parameter	Symbol	Minimum	Maximum	Units
IN to GND	VIN	-0.3	+30	V
OVP to GND	VOVP	-0.3	+6.5	V
FLT, EN to GND	VFLT, VEN	-0.3	+6.5	V
OUT to GND	VOUT	-0.3	VIN + 0.3	V
Maximum continuous switch current	IMAX		1.8	A
Operating junction temperature range	TJ	-40	150	°C
Storage temperature	TSTG	-40	150	°C
Maximum soldering temperature (at leads)	TLEAD		300	°C

Note 1: Exposure to maximum rating conditions for extended periods may reduce device reliability. There is no damage to device with only one parameter set at the limit and all other parameters set at or below their nominal value. Exceeding any of the limits listed may result in permanent damage to the device.

Table 3. AAT4687 Thermal Information

Parameter	Symbol	Value	Units
Maximum thermal resistance (Note 1)	θJA	160	°C/W
Maximum power dissipation (Note 1, Note 2)	Pd	625	mW

Note 1: Mounted on an FR4 board.

Note 2: Derate 6.25 mW/°C above 25 °C.

CAUTION: Although this device is designed to be as robust as possible, electrostatic discharge (ESD) can damage this device. This device must be protected at all times from ESD. Static charges may easily produce potentials of several kilovolts on the human body or equipment, which can discharge without detection. Industry-standard ESD precautions should be used at all times.

Table 4. AAT4687 Electrical Specifications (Note 1)**(VIN = 5 V, TA = -40 °C to +85°C, Unless Otherwise Noted, Typical Values are TA = 25 °C)**

Parameter	Symbol	Test Condition	Min	Typical	Max	Units
Input over-voltage protection range	VIN_MAX				28	V
Normal operating input voltage range	VIN		3		14	V
Operation quiescent current	Iq	VIN = 5 V, EN = 0 V, IOUT = 0 A		30	60	μA
Shutdown supply current	ISD(OFF)	EN = VIN, VIN = 5.5 V, VOUT = 0 V			1	μA
Under-voltage lockout threshold	VUVLO	Rising edge		3.0	3.3	V
Under-voltage lockout threshold hysteresis	VUVLO_HYS			0.1		V
Adjustable						
Over-voltage lockout threshold, OVP pin	VOVP_TH	Rising edge	1.084	1.1	1.117	V
Over-voltage lockout threshold hysteresis, OVP pin	VOVP_HYS			23		mV
Fixed						
Over-voltage lockout threshold, IN pin (Note 2)	VOVPT	Rising edge		6.5		V
Over-voltage lockout threshold hysteresis, IN pin	VOVP_HYS			2.1		% of VOVPT
MOSFET Switch						
PMOS On-resistance	RDS(ON)	IOUT = 1500 mA, TA = 25 °C		100	130	mΩ
Switch Off-leakage	ID(OFF)	EN = VIN			1	μA
Logic						
EN input low voltage	VEN(L)				0.4	V
EN input high voltage	VEN(H)		1.6			V
EN input leakage	IEN	VEN = 5.5 V or 0 V		0.5	2.0	μA
FLT output voltage low	FLTOL	IFLT = 1 mA			0.4	V
FLT output leakage current	FLTIOI				1	μA
Timing						
FLT blanking time	tBLK_FLT	From de-assertion of OV	5	10	15	ms
FLT assertion delay time from over-voltage (OV)	tD_FLT	From assertion of OV		1		μs
Over-voltage release time	tRLS_OV	VIN = 5 V, Vovp fall from 1.13 V to 1.07 V in 1 ns	5	10	15	ms
Over-voltage response time	tRESP_OV	VIN = 5V, Vovp rise from 1.07 V to 1.13 V in 1 ns		0.7		μs
Turn on delay time	tON	VIN = 5V; ROUT = 10 Ω; COUT = 1 μF		10		ms
Turn on rise time	tR	VIN = 5V; ROUT = 10 Ω; COUT = 1 μF		1		ms
Turn off delay time	tOFF	VIN = 5V; ROUT = 10 Ω; COUT = 1 μF		9		ms
Turn off fall time	tF	VIN = 5V; ROUT = 10 Ω; COUT = 1 μF		4.5		ms
Thermal Protection						
Shutdown temperature	TSHDN			150		°C
Over-temperature shutdown hysteresis	THYS			20		°C

Note 1: Performance is guaranteed only under the conditions listed in this table.

Note 2: Fixed OVP Threshold Voltage Version is available from 5 V to 14 V at 50 mV step.

Typical Performance Characteristics

($V_{IN} = 5\text{ V}$, $T_A = -40\text{ }^\circ\text{C}$ to $+85\text{ }^\circ\text{C}$, Unless Otherwise Noted, Typical Values are $T_A = 25\text{ }^\circ\text{C}$)

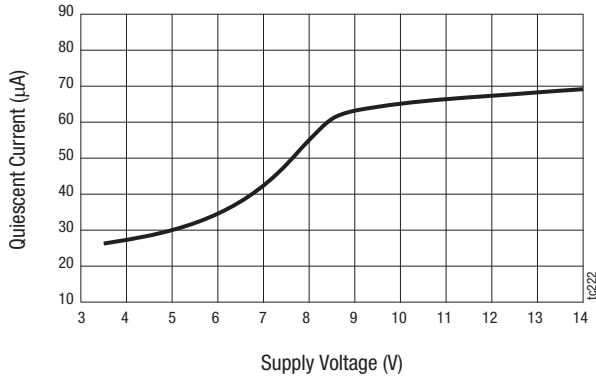


Figure 3. Operation Quiescent Current vs Supply Voltage

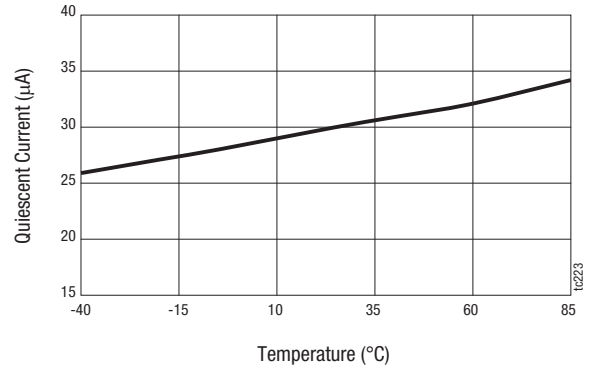


Figure 4. Operation Quiescent Current vs Temperature
($V_{IN} = 5\text{ V}$, No Load)

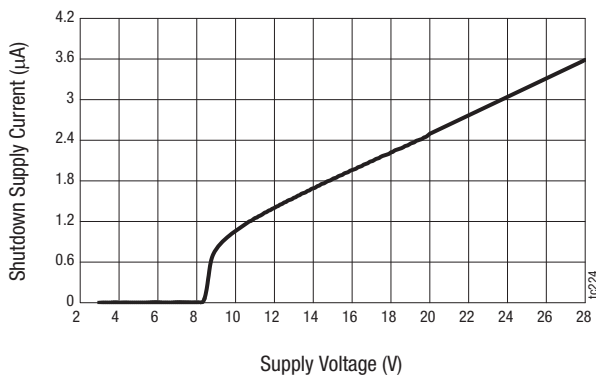


Figure 5. Shutdown Supply Current vs Supply Voltage

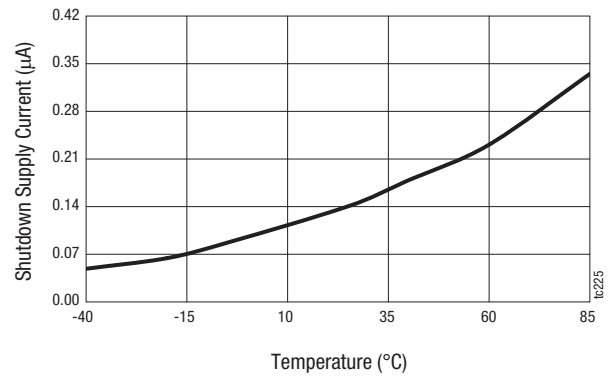


Figure 6. Shutdown Supply Current vs Temperature
($V_{IN} = 6.5\text{ V}$)

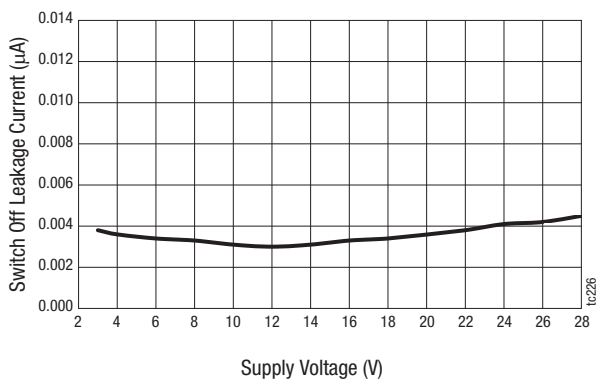


Figure 7. Switch Off Leakage vs Supply Voltage

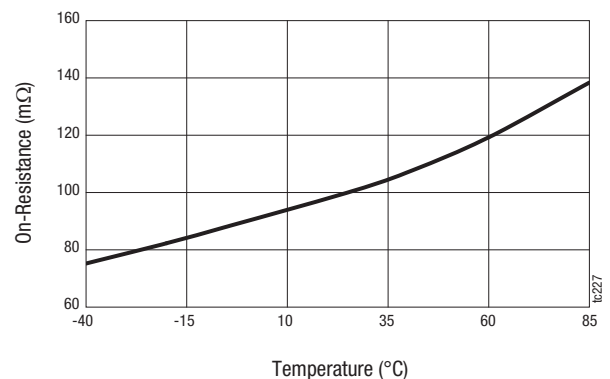


Figure 8. PMOS On-Resistance vs Temperature
($V_{IN} = 5\text{ V}$, $I_{LOAD} = 1\text{ A}$)

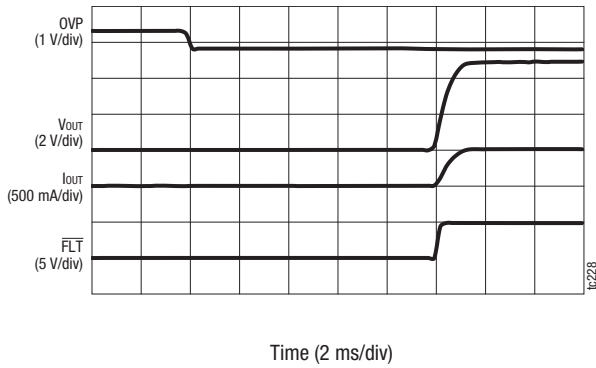


Figure 9. FLT Blanking Time ($V_{IN} = 5\text{ V}$, $C_{OUT} = 1\ \mu\text{F}$, OVP Transient from 1.2 V to 0.8 V, $R_{OUT} = 10\ \Omega$)

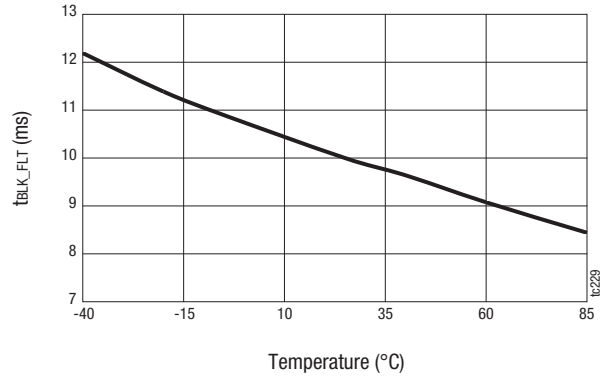


Figure 10. FLT Blanking Time vs Temperature

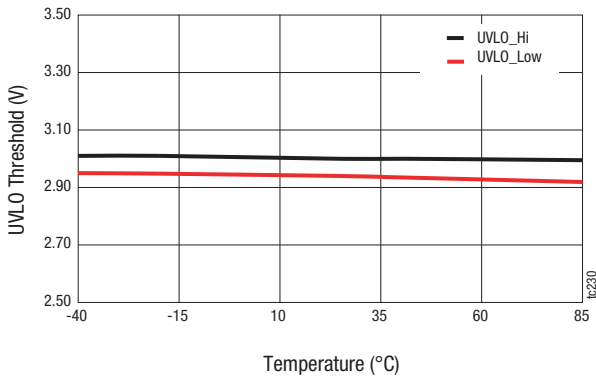


Figure 11. Under-Voltage Lockout Threshold vs Temperature

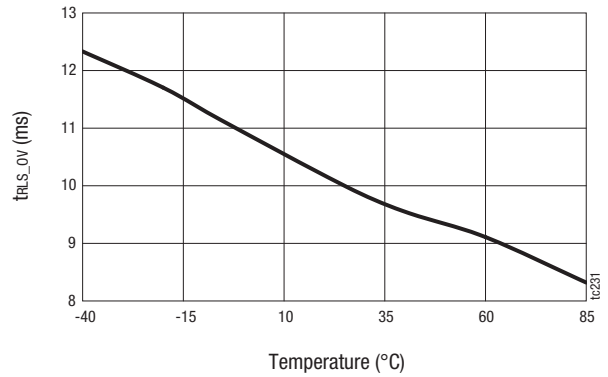


Figure 12. Over-Voltage Release Time vs Temperature ($V_{IN} = 5\text{ V}$, $C_{OUT} = 1\ \mu\text{F}$, $R_{OUT} = 10\ \Omega$)

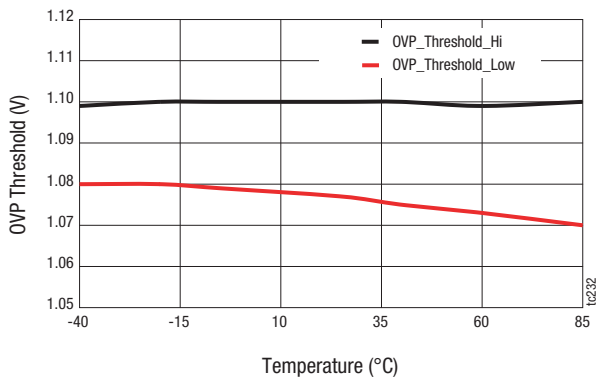


Figure 13. Over-Voltage Lockout Threshold vs Temperature

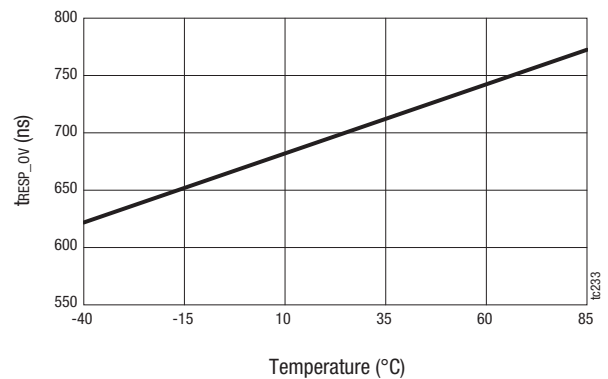


Figure 14. Over-Voltage Response Time vs Temperature

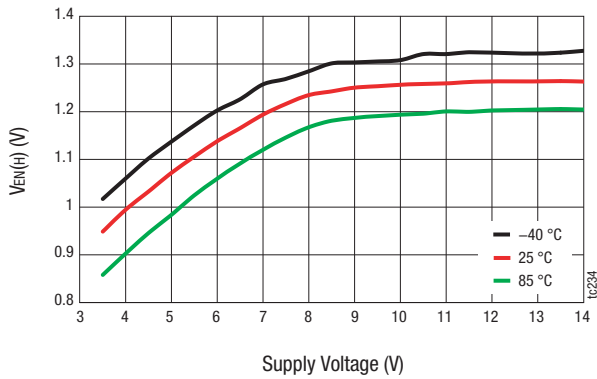


Figure 15. EN Input High Voltage vs Supply Voltage

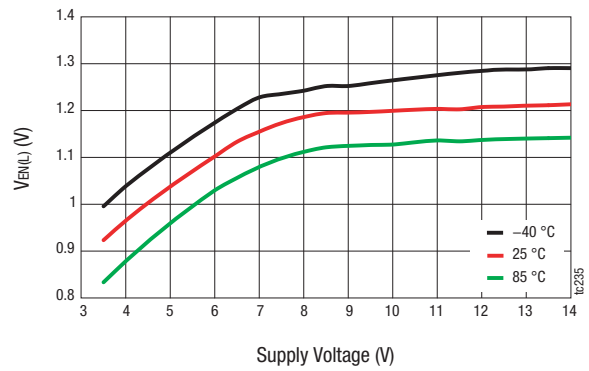


Figure 16. EN Input Low Voltage vs Supply Voltage

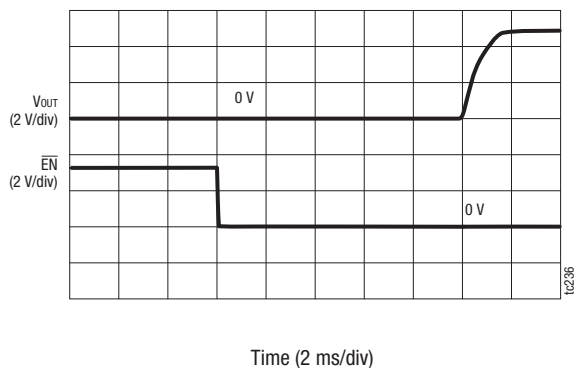


Figure 17. Turn On Delay Time (V_{IN} = 5 V, R_{OUT} = 10 Ω)

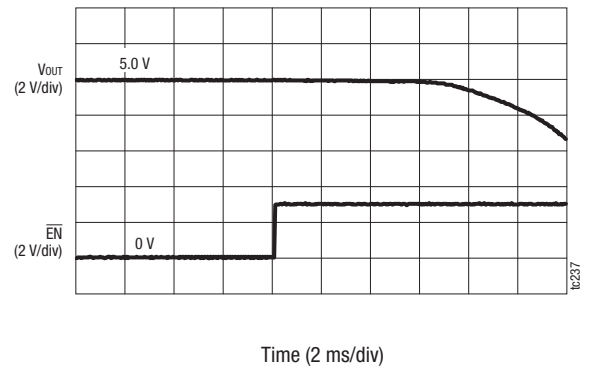


Figure 18. Turn Off Delay Time (V_{IN} = 5 V, R_{OUT} = 10 Ω)

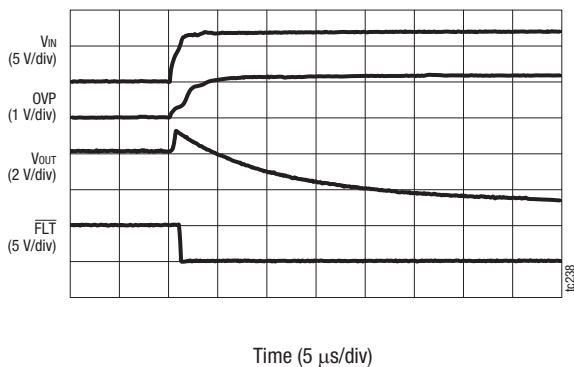


Figure 19. Over-Voltage Protection Response

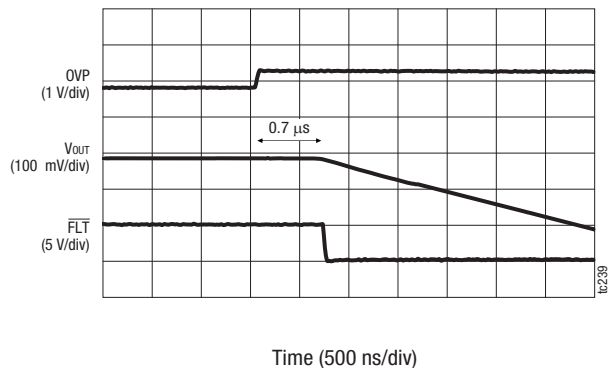


Figure 20. Over-Voltage Response Time (V_{IN} = 5 V, OVP Transient from 0.8 V to 1.2 V)

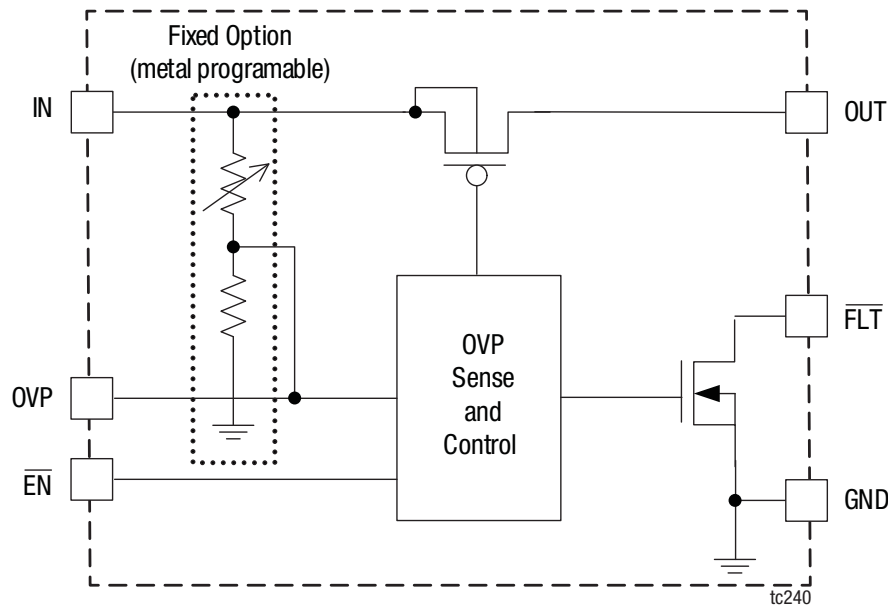


Figure 21. AAT4687 Functional Block Diagram

Functional Description

The AAT4687 provides up to 28 V over-voltage protection when powering low-voltage systems such as cell phones, MP3 players, and PDAs or when charging Lithium-Ion batteries from a poorly regulated supply. The AAT4687 is inserted between the power supply or charger source and the load to be protected. The AAT4687 IC includes a low-resistance P-channel MOSFET, under-voltage lockout protection, over-voltage monitor, fast shut-down circuitry, and a fault output flag.

In normal operation, the P-channel MOSFET acts as a slew-rate controlled load switch, connecting and disconnecting the power supply from IN to OUT. A low-resistance MOSFET is used to minimize the voltage drop between the voltage source and the load and to reduce power dissipation. When the voltage on the input exceeds the over-voltage protection trip voltage (internally set in the fixed voltage version or externally by a voltage divider to the OVP pin for the adjustable version), the device immediately turns off the internal P-channel FET, disconnecting the load from the input and preventing damage to downstream components. Simultaneously, the fault flag is raised, alerting the system to a problem.

If an over-voltage condition is applied at the time of the device enable, then the switch will remain OFF.

A functional block diagram is shown in Figure 21. Figure 22 shows the timing diagram.

Under-Voltage Lockout (UVLO)

The AAT4687 has a fixed 3.0 V under-voltage lockout level (UVLO). When the input voltage is less than the UVLO level, the

MOSFET is turned off. Hysteresis of 100 mV is included to ensure circuit stability.

Over-Voltage Protection (OVP)

The AAT4687 adjustable version has a $1.1 \text{ V} \pm 1.5\%$ over-voltage trip threshold on the OVP pin. With a resistor divider on the OVP pin from IN to GND, the over-voltage trip point can be adjusted anywhere within the input voltage range (see Table 5). Once the over-voltage trip level is triggered, the PMOS switch controller will turn off the PMOS in less than $0.7 \mu\text{s}$.

In the AAT4687 fixed version, the resistor divider is internally integrated with the input voltage trip point at 6.5 V. The fixed version of the AAT4687 does not have a connection to the internal OVP circuitry, and Pin 1 is designed to be left unconnected.

Over-Temperature Protection (OTP)

If the ambient temperature of the device exceeds T_{SHDN} , the OVP switch is turned off, and the pin is driven low. The OVP switch recovers automatically when the junction temperature falls below $(T_{SHDN} - 20 \text{ }^\circ\text{C})$.

Fault Indicator (FLT)

The output is an active-low open-drain fault reporting output. A pull-up resistor should be connected from FLT to the logic I/O voltage of the host system. FLT is asserted immediately if an over-voltage or over-temperature fault occurs.

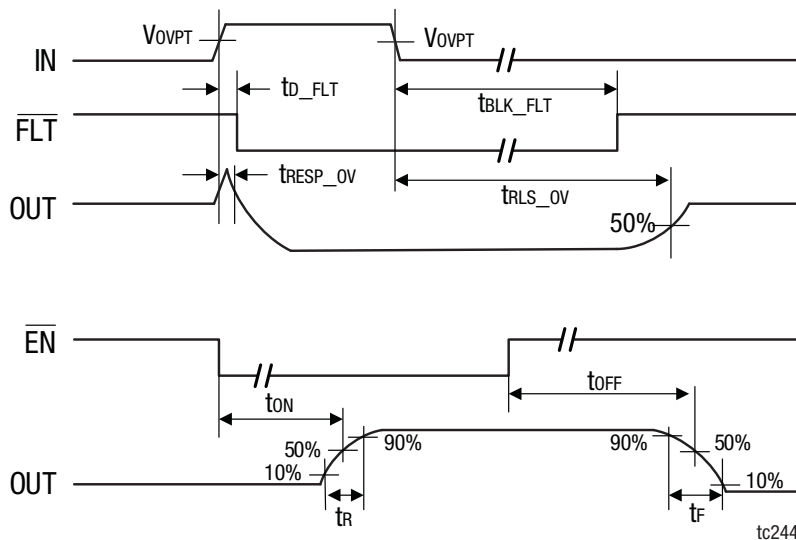


Figure 22. AAT4687 Timing Diagram

Enable Control (\overline{EN})

\overline{EN} is an active-low enable input. \overline{EN} is driven low, connected to ground, or left floating for normal device operation. Taking \overline{EN} high turns off the MOSFET. In case of an over-voltage or UVLO condition, toggling \overline{EN} does not override the fault condition and the switch remains off.

Device Operation

On initial power-up, if $V_{IN} < V_{UVLO}$ or if $V_{OVP} > V_{OVP_TH}$ (1.1 V), the PMOS is held off. If $V_{UVLO} < V_{IN}$, $V_{OVP} < V_{OVP_TH}$, and \overline{EN} is low, the device enters startup after a 10 ms internal delay.

Application Information

Over-Voltage Protection

The AAT4687 over-voltage protection circuit provides fast protection against transient voltage spikes and short duration spikes of high voltage from the power supply lines. The AAT4687 can quickly disconnect the input supply from the load and avoid damage to sensitive components.

In portable product applications, removing the battery pack during charging can create large transients, and a high voltage spike can occur which can damage other electronic components (such as the battery charger) in the product. A "hot plug" of the AC/DC wall adapter into the AC outlet can create and release a voltage spike from the transformer. As a result, some sensitive components within the product can be damaged. When the AAT4687 is placed between the power lines

and the sensitive devices, they are insulated from the voltage spike, and the input supply is disconnected in 0.7 μ s.

Figure 23 shows the over-voltage protection response time test circuit, with $R1 = 487\text{ k}\Omega$, $R2 = 110\text{ k}\Omega$, $C_{OUT} = 1\text{ }\mu\text{F}$ and $R_{OUT} = 10\text{ }\Omega$. Figure 24 is the typical over-voltage response time curve. The input voltage is rapidly increased from 5 V to 12 V by a voltage surge or voltage spike. The voltage at the OVP pin is also increased until it reaches the over-voltage trip point. At this point, the \overline{FLT} pin is pulled low and the output voltage starts to fall. Figure 25 shows a zoom-in scope capture of the OVP response time; the output is disconnected from the input in as little as 0.7 μ s.

Adjustable Version - Over-Voltage Protection Resistors

The over-voltage protection threshold is programmed with two resistors: R1 and R2. To limit current flow through the external resistor string while maintaining good noise immunity, use smaller resistor values, such as 10 k Ω for R2. Using a larger value further reduces system current, but also increases the impedance of the OVP node, making it more sensitive to external noise and interference. A suggested value for R2 is 110 k Ω . In the case of $R2 = 110\text{ k}\Omega$ and $V_{OVP_TH} = 1.1\text{ V}$, R1 can be approximated by the following formula:

$$R1 = \left(\frac{V_{OVPT}}{V_{OVP_TH}} - 1 \right) \times R2 = \left(\frac{V_{OVPT}}{1.1} - 1 \right) \times 110$$

Where the voltage is in V, resistance in k Ω .

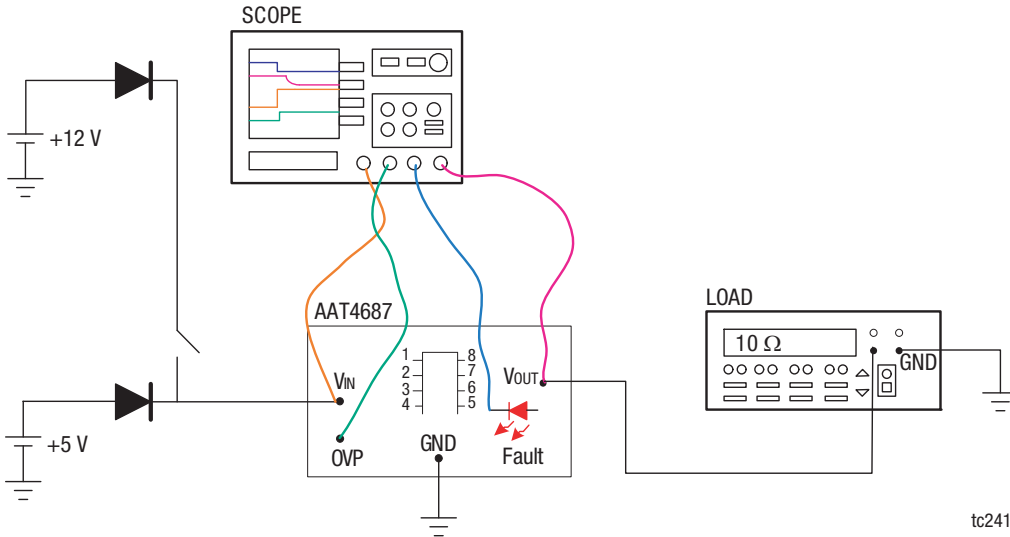


Figure 23. Over-Voltage Protection Response Time Test Circuit

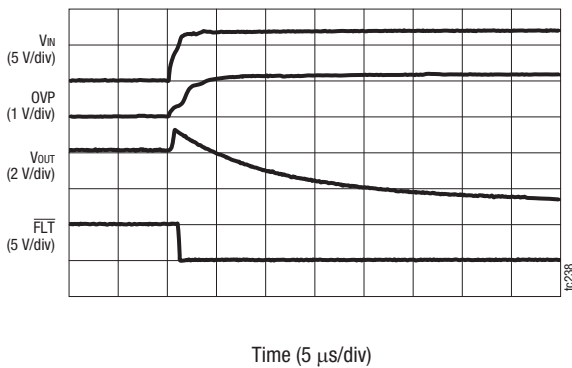


Figure 24. Typical Over-Voltage Response Time

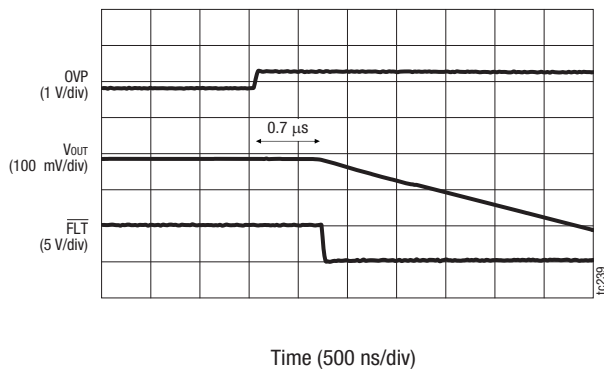


Figure 25. Typical Over-Voltage Response (Zoom View)

Table 5 summarizes resistor values for various over-voltage settings. Use 1% tolerance metal film resistors for programming the desired OVP setting.

Table 5. Recommended OVP Setting for the Adjustable Version

R2 (kΩ)	R1 (kΩ)	Vovpr Setting (V)
110	387	5.0
110	487	6.0
110	536	6.5
110	787	9.0
110	1000	11.0
110	1300	14.0
110	1540	16.5
110	1780	19.0
110	2050	21.5
110	2320	24.0
110	2550	26.5

Input Capacitor

A 1 μF or larger capacitor is typically recommended for C_{IN} . C_{IN} should be located as close to the device V_{IN} pin as practically possible. Ceramic, tantalum, or aluminum electrolytic capacitors may be selected for C_{IN} . There is no specific capacitor equivalent series resistance (ESR) requirement for C_{IN} . However, for higher current operation, ceramic capacitors are recommended for C_{IN} due to their inherent capability over tantalum capacitors to withstand input current surges from low impedance sources such as batteries in portable devices.

Capacitors are typically manufactured in different voltage ratings. If the maximum possible surge voltage is known, select capacitors with a voltage rating at least 5 V higher than the maximum possible surge voltage. Otherwise, 50 V rated capacitors are generally good for most OVP applications to prevent any surge voltage.

Output Capacitor

A 0.1 μF ~ 47 μF output capacitor is required at the output. Likewise, with the output capacitor, there is no specific capacitor ESR requirement. C_{OUT} may be increased to accommodate any load transient condition.

Thermal Considerations and Maximum Output Current

The AAT4687 is designed to deliver a continuous output load current. The limiting characteristic for maximum safe operating output load current is package power dissipation. In order to obtain high operating currents, careful device layout and circuit operating conditions must be taken into account. The following description assumes the load switch is mounted on a printed circuit board utilizing the minimum recommended footprint in the *Printed Circuit Board Layout Recommendations* section. At any given ambient temperature (T_A), the maximum package power dissipation can be determined by the following equation:

$$P_{D(\text{MAX})} = \frac{T_{J(\text{MAX})} - T_A}{\theta_{JA}}$$

Constants for the AAT4687 are maximum junction temperature ($T_{J(\text{MAX})} = +125\text{ }^\circ\text{C}$) and package thermal resistance ($\theta_{JA} = 160\text{ }^\circ\text{C/W}$). Worst-case conditions are calculated at the maximum operating temperature, $T_A = +85\text{ }^\circ\text{C}$. Typical conditions are calculated under normal ambient conditions

where $T_A = +25\text{ }^\circ\text{C}$. At $T_A = +85\text{ }^\circ\text{C}$, $P_{D(\text{MAX})} = 250\text{ mW}$. At $T_A = +25\text{ }^\circ\text{C}$, $P_{D(\text{MAX})} = 625\text{ mW}$.

The maximum continuous output current for the AAT4687 is a function of the package power dissipation and the R_{DS} of the MOSFET at $T_{J(\text{MAX})}$. The maximum R_{DS} of the MOSFET at $T_{J(\text{MAX})}$ is calculated by increasing the maximum room temperature.

For maximum current, refer to the following equation:

$$I_{\text{OUT}(\text{MAX})} = \sqrt{\frac{P_{D(\text{MAX})}}{R_{\text{DS}}}}$$

The maximum allowable output current for the AAT4687 is 1.8 A. If the output current exceeds 1.8 A, the device is damaged.

Printed Circuit Board Layout Recommendations

For proper thermal management and to take advantage of the low $R_{\text{DS}(\text{ON})}$ of the AAT4687, certain circuit board layout rules should be followed:

- V_{IN} and V_{OUT} should be routed using wider than normal traces, and GND should be connected to a ground plane.
- To maximize package thermal dissipation and power handling capacity of the AAT4687 SC70JW-10 package, the ground plane area connected to the ground pins should be as large as possible.
- For best performance, C_{IN} and C_{OUT} should be placed close to the package pins.

Evaluation Board Description

The AAT4687 Evaluation Board is used to test the performance of the AAT4687. An Evaluation Board schematic diagram is provided in Figure 26. Layer details for the Evaluation Board are shown in Figure 27. The Evaluation Board has additional components for easy evaluation, and the bill of materials required for the system is shown in Table 6.

Package Information

Package dimensions for the 10-pin SC70JW package are shown in Figure 28. Tape and reel dimensions are shown in Figure 29.

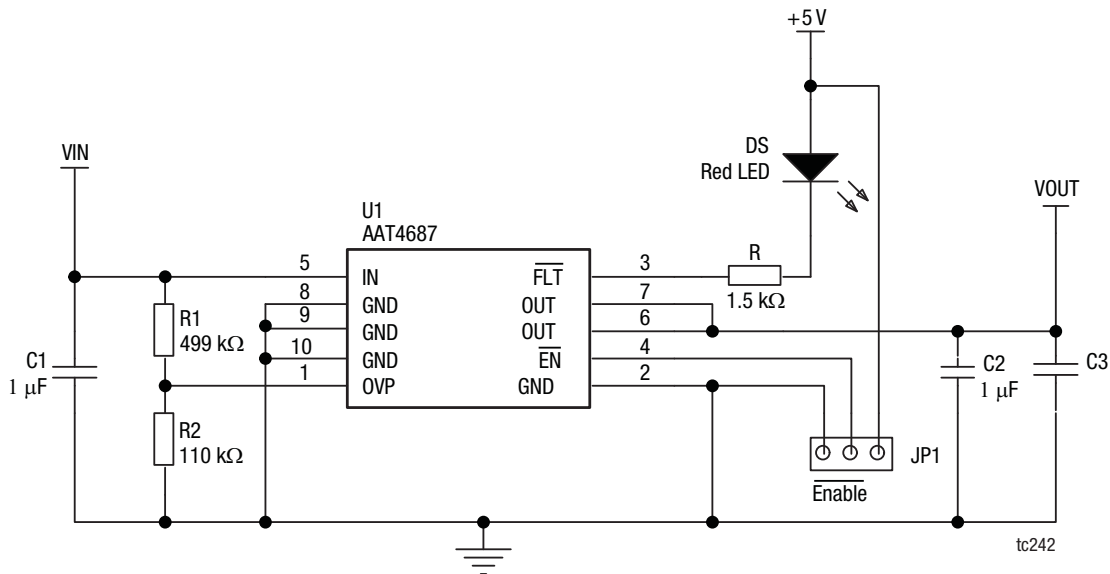
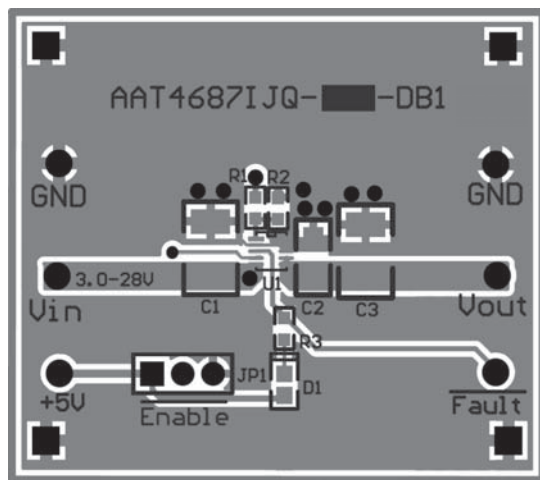


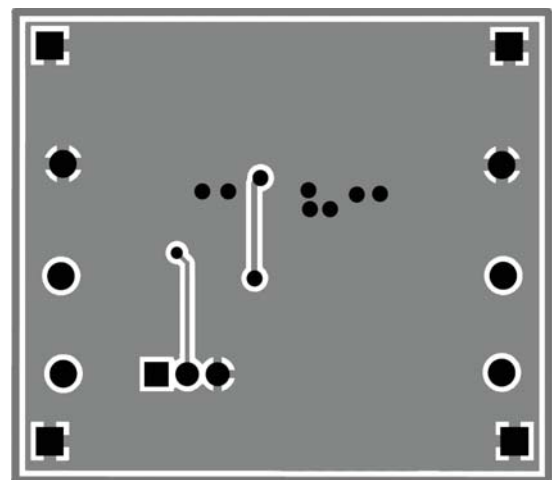
Figure 26. AAT4687 Evaluation Board Schematic

Table 6. AAT4687 Evaluation Board Bill of Materials

Component	Part number	Description	Manufacturer
U1	AAT4687	Over-voltage protection switch	Skyworks
R1	RC0603FR-07499KL	Resistor 499 kΩ 1/10W 1% 0603 SMD	Yageo
R2	RC0603FR-07110KL	Resistor 110 kΩ 1/10W 1% 0603 SMD	Yageo
R3	RC0603FR-071K5L	Resistor 1.5 kΩ 1/10W 1% 0603 SMD	Yageo
C1	GRM31MR71H105K	Ceramic capacitor 1 μF 1206 X7R 50V 10%	Murata
C2	GRM21BR71C105K	Ceramic capacitor 1 μF 0805 X7R 16V 10%	Murata
C3	Not populated		HB
D1	0805KRCT	Red LED 0805	HB

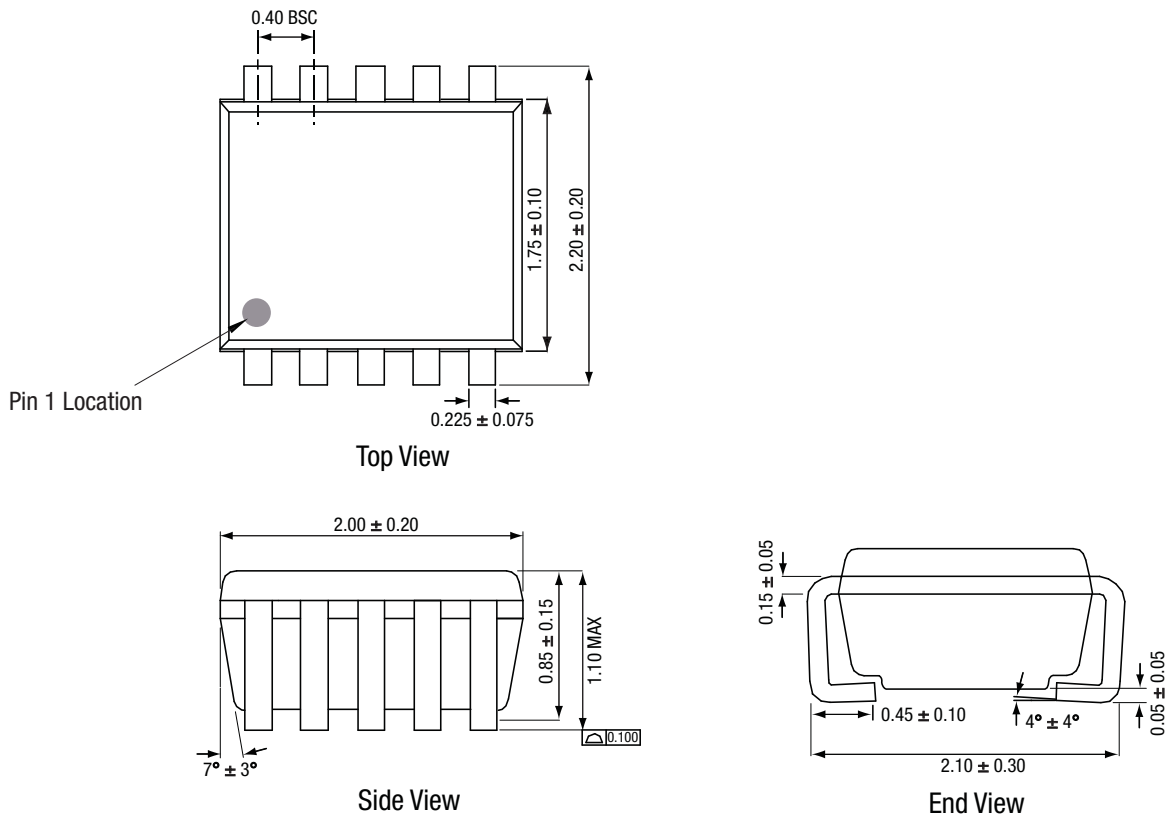


(a) Component Side Layout



(b) Solder Side Layout

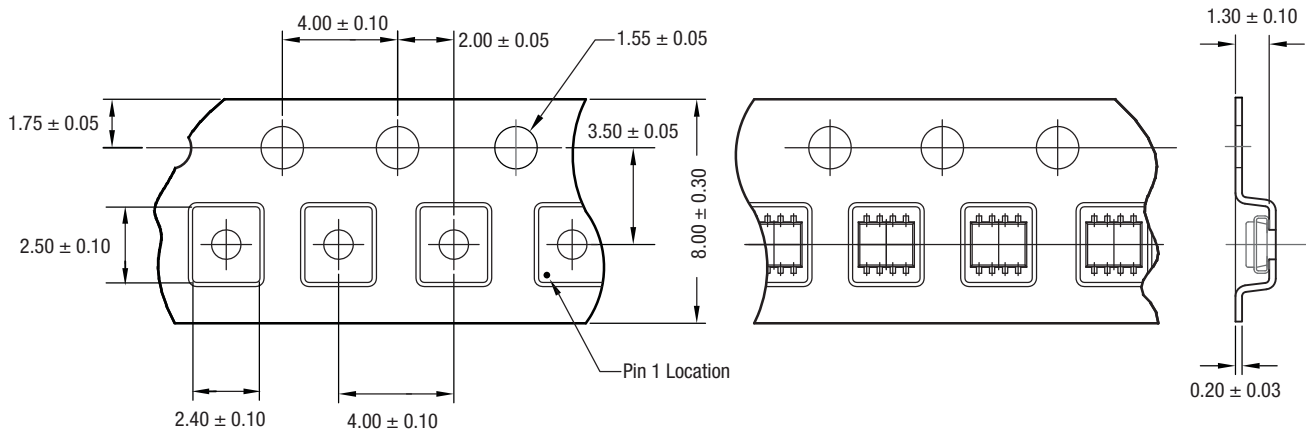
Figure 27. AAT4687 Evaluation Board Layer Details



All dimensions in millimeters.

tc37

Figure 28 AAT4687 10-pin SC70JW Package Dimensions



All dimensions are in millimeters.

tc38

Figure 29. AAT4687 10-pin SC70JW Tape and Reel Dimensions

Ordering Information

Model Name	OVP Trip Voltage	Part Marking (Note 1)	Manufacturing Part Number (Note 2)	Evaluation Board Part Number
AAT4687 over-voltage protection switch	Adjustable	7QXY	AAT4687IJK-T1	AAT4687IJK-EVB
	6.5 V		AAT4687IJK-6.5-T1	AAT4687IJK-6.5-EVB

Note 1: XYY = assembly and date code.

Note 2: Sample stock is generally held on part numbers listed in **BOLD**.

Copyright © 2012-2014 Skyworks Solutions, Inc. All Rights Reserved.

Information in this document is provided in connection with Skyworks Solutions, Inc. ("Skyworks") products or services. These materials, including the information contained herein, are provided by Skyworks as a service to its customers and may be used for informational purposes only by the customer. Skyworks assumes no responsibility for errors or omissions in these materials or the information contained herein. Skyworks may change its documentation, products, services, specifications or product descriptions at any time, without notice. Skyworks makes no commitment to update the materials or information and shall have no responsibility whatsoever for conflicts, incompatibilities, or other difficulties arising from any future changes.

No license, whether express, implied, by estoppel or otherwise, is granted to any intellectual property rights by this document. Skyworks assumes no liability for any materials, products or information provided hereunder, including the sale, distribution, reproduction or use of Skyworks products, information or materials, except as may be provided in Skyworks Terms and Conditions of Sale.

THE MATERIALS, PRODUCTS AND INFORMATION ARE PROVIDED "AS IS" WITHOUT WARRANTY OF ANY KIND, WHETHER EXPRESS, IMPLIED, STATUTORY, OR OTHERWISE, INCLUDING FITNESS FOR A PARTICULAR PURPOSE OR USE, MERCHANTABILITY, PERFORMANCE, QUALITY OR NON-INFRINGEMENT OF ANY INTELLECTUAL PROPERTY RIGHT; ALL SUCH WARRANTIES ARE HEREBY EXPRESSLY DISCLAIMED. SKYWORKS DOES NOT WARRANT THE ACCURACY OR COMPLETENESS OF THE INFORMATION, TEXT, GRAPHICS OR OTHER ITEMS CONTAINED WITHIN THESE MATERIALS. SKYWORKS SHALL NOT BE LIABLE FOR ANY DAMAGES, INCLUDING BUT NOT LIMITED TO ANY SPECIAL, INDIRECT, INCIDENTAL, STATUTORY, OR CONSEQUENTIAL DAMAGES, INCLUDING WITHOUT LIMITATION, LOST REVENUES OR LOST PROFITS THAT MAY RESULT FROM THE USE OF THE MATERIALS OR INFORMATION, WHETHER OR NOT THE RECIPIENT OF MATERIALS HAS BEEN ADVISED OF THE POSSIBILITY OF SUCH DAMAGE.

Skyworks products are not intended for use in medical, lifesaving or life-sustaining applications, or other equipment in which the failure of the Skyworks products could lead to personal injury, death, physical or environmental damage. Skyworks customers using or selling Skyworks products for use in such applications do so at their own risk and agree to fully indemnify Skyworks for any damages resulting from such improper use or sale.

Customers are responsible for their products and applications using Skyworks products, which may deviate from published specifications as a result of design defects, errors, or operation of products outside of published parameters or design specifications. Customers should include design and operating safeguards to minimize these and other risks. Skyworks assumes no liability for applications assistance, customer product design, or damage to any equipment resulting from the use of Skyworks products outside of stated published specifications or parameters.

Skyworks and the Skyworks symbol are trademarks or registered trademarks of Skyworks Solutions, Inc., in the United States and other countries. Third-party brands and names are for identification purposes only, and are the property of their respective owners. Additional information, including relevant terms and conditions, posted at www.skyworksinc.com, are incorporated by reference.

Looking for pricing, stock, or lifecycle information?

Click below to explore more details on WIN SOURCE:

- ⊖ [View AAT4687IJQ-1-T1 on WIN SOURCE](#)
- ⊖ [Skyworks Solutions Inc. Information](#)

Optimize Your Supply Chain with WIN SOURCE Solutions

- ✓ Global Sourcing Solution
- ✓ Obsolete Management
- ✓ Cost Control Management
- ✓ Shortage Management
- ✓ Alternative Solution
- ✓ Excess Inventory Management