

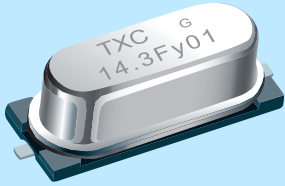


**THE DATASHEET OF
9C25000012**



Features

- > Surface mount type crystal units.
- > A great number of standard frequencies.
- > High frequency pullability and low equivalent series resistance.
- > Highly mass production capability.
- > The best choice of PC, STB, LCDM, and Cable Modem.
- > RoHS Compliant / Pb Free.



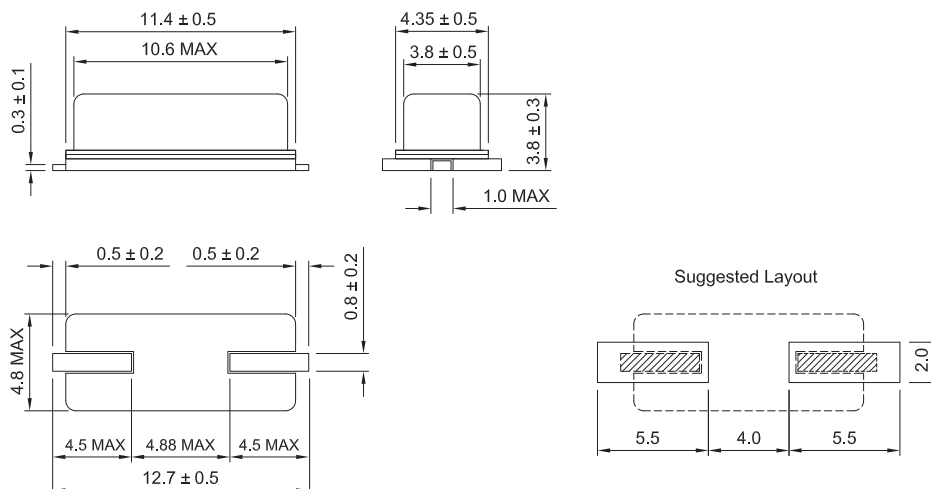
Electrical Specifications

Item / Type	9C
Frequency Range	3.2 ~ 90 MHz
Frequency Tolerance (at 25 °C)	± 30 ppm, or specify
Frequency Stability Over Operating Temperature Range	± 30 ppm (-20 ~ +70 °C), or specify
Operating Temperature Range	- 40 ~ + 85 °C
Shunt Capacitance (C0)	7 pF Max.
Drive Level	1 ~ 500 μW (100 μW typical)
Load Capacitance	18 pF, or specify
Aging (at 25 °C)	± 3 ppm / year Max.
Storage Temperature Range	- 55 ~ + 125 °C

Equivalent Series Resistance(ESR)

Fundamental		3rd Overtone	
3.2 ~ 3.686 MHz	200 Ω Max.	27 ~ 30 MHz	100 Ω Max.
3.686 ~ 5 MHz	150 Ω Max.	30 ~ 50 MHz	80 Ω Max.
5 ~ 10 MHz	80 Ω Max.	50 ~ 90 MHz	60 Ω Max.
10 ~ 14 MHz	40 Ω Max.		
14 ~ 30 MHz	30 Ω Max.		

Dimensions



Units:mm

Remark : Specification subject to change without prior notice. Please confirm with our sales.

Looking for pricing, stock, or lifecycle information?

Click below to explore more details on WIN SOURCE:

- [View 9C25000012 on WIN SOURCE](#)
- [TXC CORPORATION Information](#)

Optimize Your Supply Chain with WIN SOURCE Solutions

- ✓ Global Sourcing Solution
- ✓ Obsolete Management
- ✓ Cost Control Management
- ✓ Shortage Management
- ✓ Alternative Solution
- ✓ Excess Inventory Management