

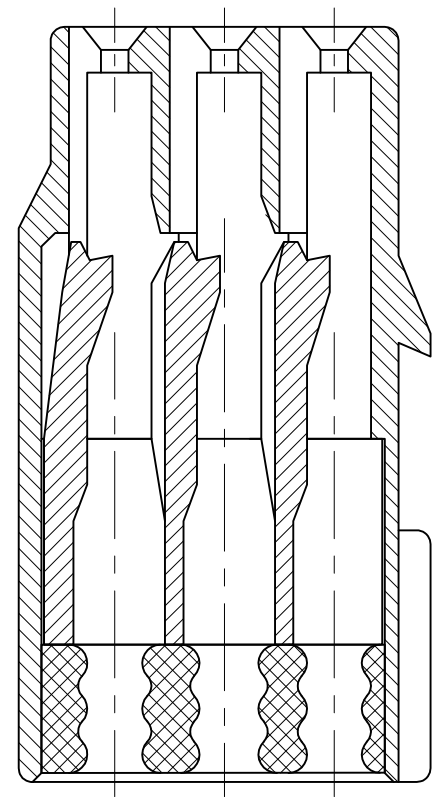
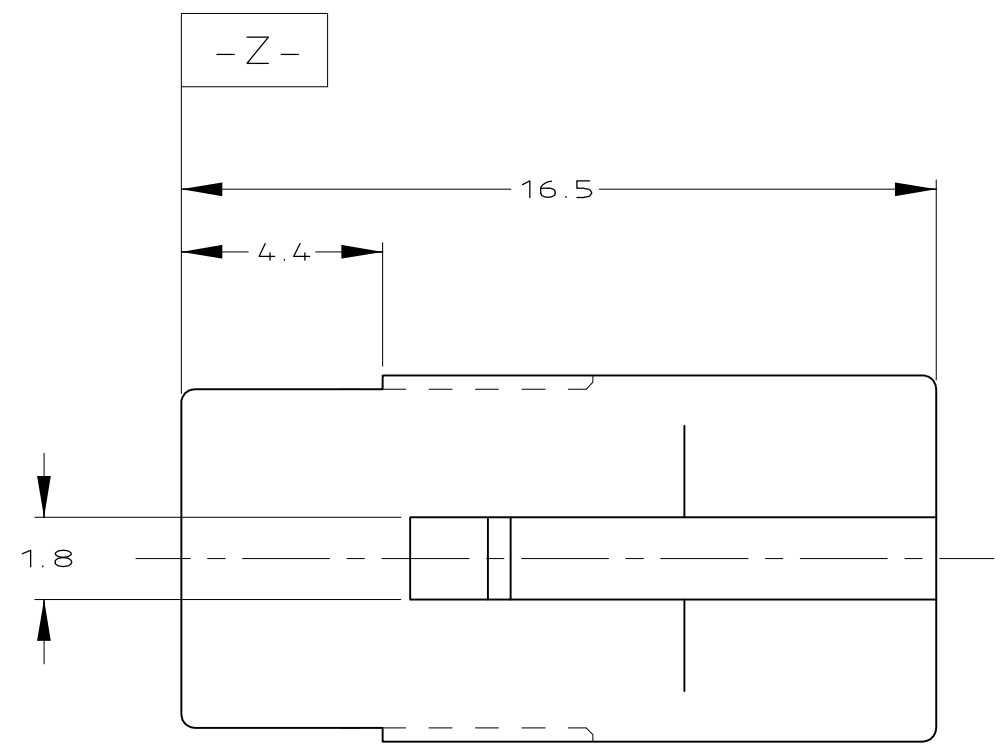
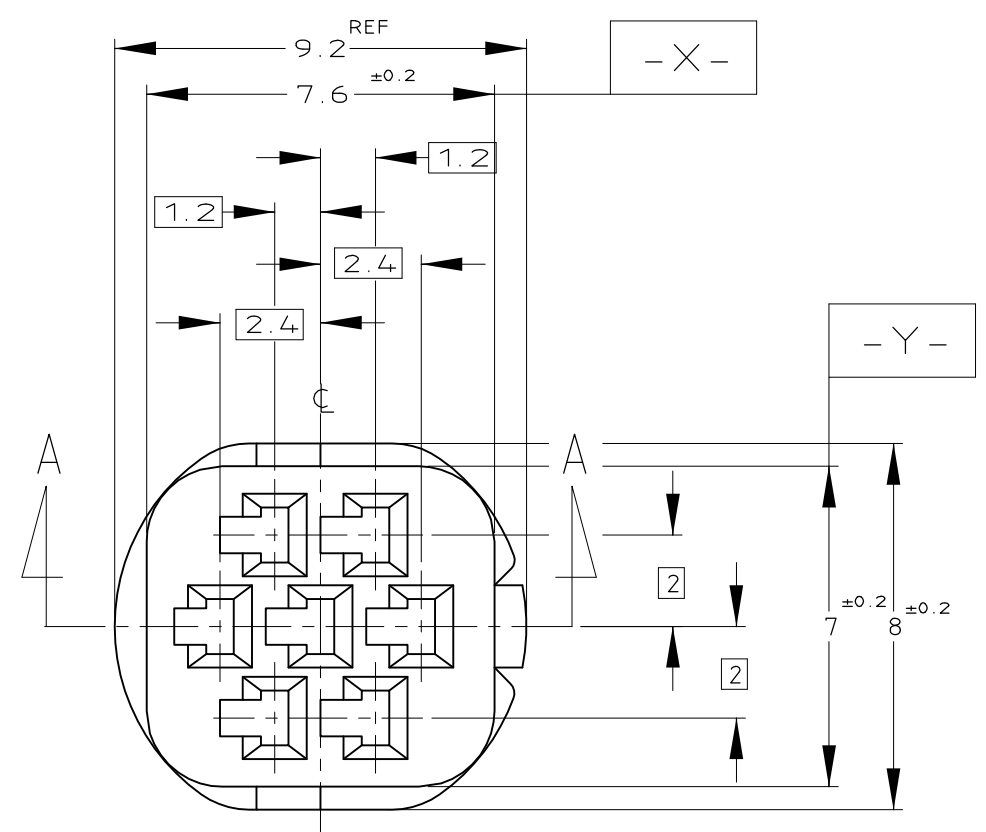


THE DATASHEET OF
917318-5



THIS DRAWING IS UNPUBLISHED. RELEASED FOR PUBLICATION
 © COPYRIGHT - By - ALL RIGHTS RESERVED.

LOC	DIST	REVISIONS		
J	-	P	LTR	DESCRIPTION
				DATE
				DWN
				APVD
		D1	REVISED PER ECO-11-005140	28MAR11
				RK
				HMR



SECT. A-A

TOLERANCE UNLESS OTHERWISE SPECIFIED: 一般公差

0 < x ≤ 10	: ±0.2
10 < x ≤ 30	: ±0.25
30 < x ≤ 100	: ±0.3
ANGLE ; 角度	: ±0.3°

1. 嵌合相手ハウジング型番 ; 917319
2. 内装するリセコンタクト型番 ; 917308
3. 適用製品規格番号 ; 108-5426
4. 取扱説明書 ; 412-5653-1

1. THE MATING PLUG HSG P/N 917319
2. APPLIED CONTACT P/N 917308
3. APPLICABLE PRODUCT SPEC No.108-5426
4. INSTRUCTION SHEET:412-5653

YELLOW	917318-8
GRAY	917318-7
BLACK	917318-6
NATURAL	917318-5
LIGHT GREEN	917318-4
COLOR	PART NUMBER

THIS DRAWING IS A CONTROLLED DOCUMENT.

DWN	A. YAMAGUCHI	31JUL02	 TE Connectivity	MINI MULTI LOCK CONNECTOR 7POS PLUG HSG		
CHK	T. HAYASHI	02AUG02				
APVD	H. YAMAGAMI	02AUG02				
NAME	H. YAMAGAMI					
PRODUCT SPEC	SEE TABLE		SIZE	CAGE CODE	DRAWING NO	RESTRICTED TO
APPLICATION SPEC	SEE TABLE		WEIGHT	A3	00779	G-917318
MATERIAL	PBT G	FINISH	CUSTOMER DRAWING			
材料		仕上	SCALE	5:1	SHEET	1 OF 1
ANGLE		SEE TABLE	REV	D1		

Looking for pricing, stock, or lifecycle information?

Click below to explore more details on WIN SOURCE:

 [View 917318-5 on WIN SOURCE](#)

 [TE Connectivity](#) Information

Optimize Your Supply Chain with WIN SOURCE Solutions

-  Global Sourcing Solution
-  Obsolete Management
-  Cost Control Management
-  Shortage Management
-  Alternative Solution
-  Excess Inventory Management