



THE DATASHEET OF
845-012-560-802



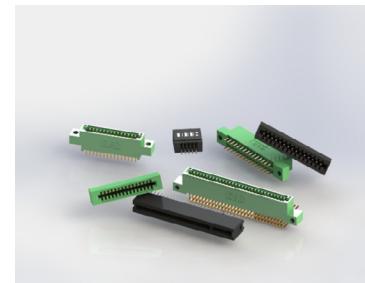
845/895 SERIES



High Temp Card Edge Connectors 0.100" (2.54mm) Pitch

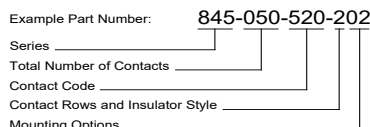
Features:

- 0.100" (2.54mm) contact spacing x 0.200" (5.08mm) row spacing
- Accepts 0.062" (1.57mm) nominal thickness P.C. board
- High profile insulator body, 0.600" (15.24mm)
- Contact termination options include P.C. tail, wire wrap, wire hole, 90 degree bends and extender board bends
- Single or dual row configurations
- Large variety of mounting options, flush or offset lugs
- Accepts between contact and in-contact polarizing keys
- Pre-assembled card guides are available
- Automatic wire wrap positioning holes
- RoHS Compliant & UL Certified



Specifications:

Insulator Material	(845: Diallyl Phthalate) (895: Polyphenylene sulfide) , UL 94V-0
Contact Material	Copper Alloy
Contact Plating	Gold Plating on mating area and Tin Plating on tails with Nickel underplating all over
Current Rating	3 amps
Contact Resistance	10 milliohms maximum
Dielectric Withstanding Voltage	1200 V AC rms at sea level between adjacent contacts
Insulation Resistance	5000 megaohms minimum
Operating Temperature	-40°C to +125°C
Insertion Force	16 oz (4.45 N) maximum per contact pair when tested with .070" (1.78mm) thick gauge
Withdrawal Force	1 oz (0.28 N) minimum per contact pair when tested with .054" (1.37mm) thick gauge



Series:	Insulator Color:	Contact Code:	Tail Description:	Tail Size:	Tail Length "G":
845	Green	500	Wire Hole	.050 x .025 (1.27 x 0.64)	.260 (6.60)
895	Black	520	P.C. Tail	.030 x .018 (0.76 x 0.46)	.175 (4.45)
Total Number of Contacts:	Contact Rows:	521	P.C. Tail	.025 Square (0.64 Square)	.150 (3.81)
005, 006, 072	Single Row	523	P.C. Tail	.025 Square (0.64 Square)	.390 (9.91)
010, 012, 144	Dual Row	524	P.C. Tail	.018 Square (0.46 Square)	.175 (4.45)
Contact Rows:	Description:	Insulator Style:	525	P.C. Tail	.018 Square (0.46 Square)
1	Single Row	Flush Mounting Lugs	540	Wire Wrap	.025 Square (0.64 Square)
2	Dual Row	Flush Mounting Lugs	541	Wire Wrap	.025 Square (0.64 Square)
4	Single Row	.110 (2.79) Offset Lugs	542	Wire Wrap	.025 Square (0.64 Square)
5	Dual Row	.110 (2.79) Offset Lugs	544	Wire Wrap	.050 x .025 (1.27 x 0.64)
6	Single Row	.170 (4.32) Offset Lugs	555	EXTENDER BOARD BEND	(CODE 500 CONTACTS)
8	Dual Row	.170 (4.32) Offset Lugs	556	EXTENDER BOARD BEND	(CODE 520 CONTACTS)
Mounting Options:	Description:	558	90 DEGREE BEND	(CODE 541 CONTACTS)	
01	No Mounting Lug	559	90 DEGREE BEND	(CODE 541 CONTACTS)	
02	Ø.128" (Ø3.25mm) Mounting Holes	560	EXTENDER BOARD BEND	(CODE 523 CONTACTS)	
03	Ø.116" (Ø2.95mm) I.D. Floating Eyelets				
04	Ø.156" (Ø3.96mm) Mounting Holes				
07	M3-0.5 Metric Threaded Inserts				
08	#4-40 Unified Threaded Inserts				
12	Ø.128" (Ø3.25mm) Side Mounting Holes				

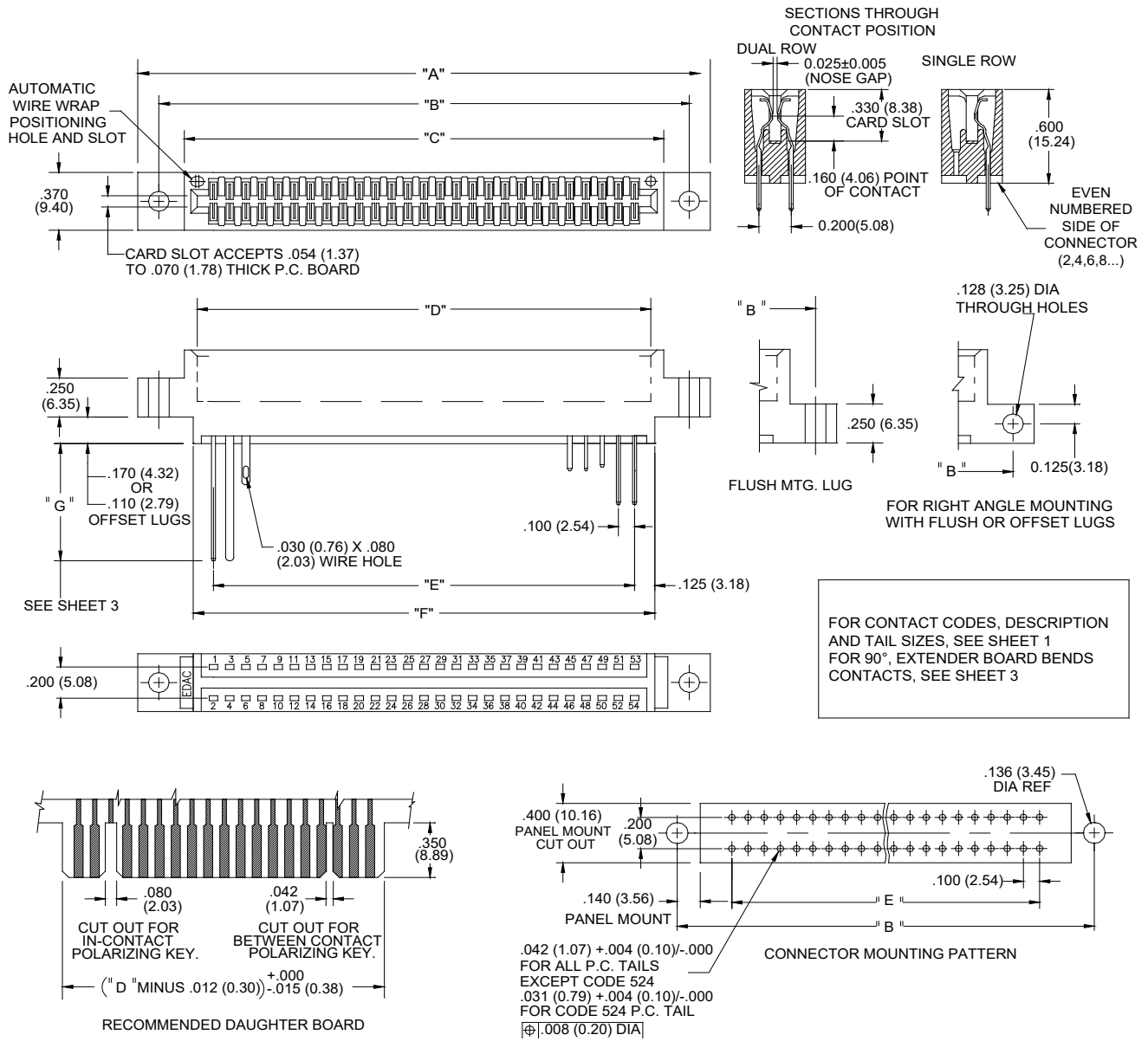
Ordering Code Notes:

- 1) All connector sizes up to 72 contacts single row / 144 contacts dual row are available upon request.
- 2) For details of the extender board and 90 degree bends refer to next pages.
- 3) For lug-less connectors, code 01 mounting, specify contact row code 1 or 2.
- 4) For details of the mounting options refer to page 3 & page 4.

845/895 SERIES



High Temp Card Edge Connectors 0.100" (2.54mm) Pitch

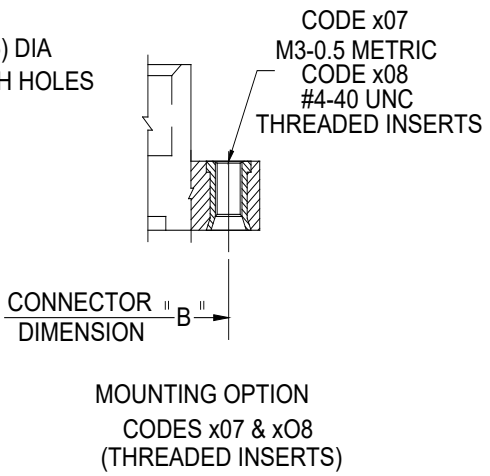
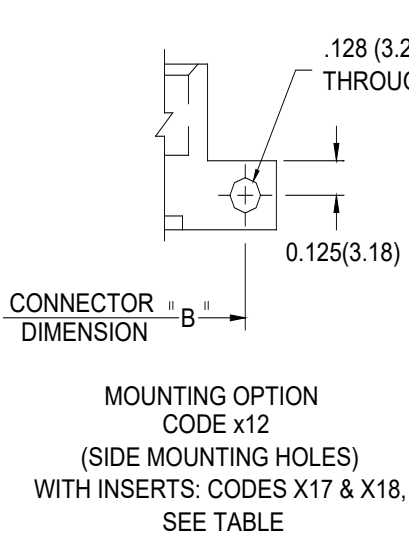
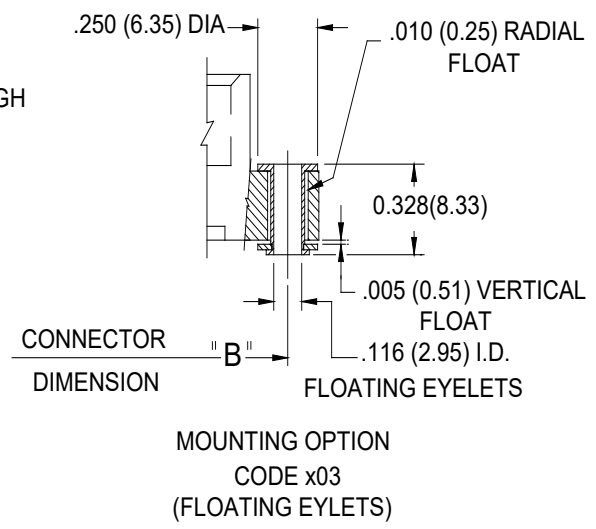
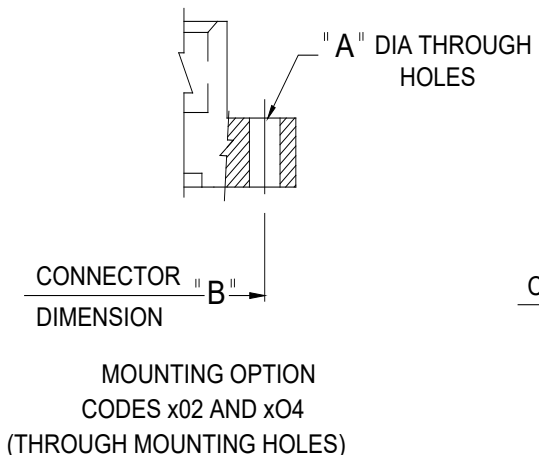
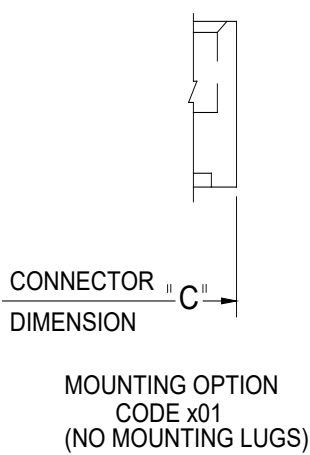


NUMBER OF CONTACTS		"A"		"B"		"C"		"D"		"E"	
Single	Double	Inch	mm	Inch	mm	Inch	mm	Inch	mm	Inch	mm
5	10	1.306	33.92	1.022	25.96	0.746	18.96	0.600	15.24	0.400	10.16
10	20	1.806	46.82	1.522	38.06	1.246	32.06	1.100	27.94	0.900	22.86
15	30	2.106	54.28	1.822	48.88	1.546	39.82	1.400	35.56	1.200	30.48
18	36	2.306	59.82	2.022	52.36	1.746	44.36	1.600	40.64	1.400	35.56
18	36	2.606	66.98	2.322	68.98	2.046	52.92	1.900	48.26	1.700	43.18
22	44	3.006	76.09	2.722	69.49	2.446	62.48	2.300	58.42	2.100	53.34
25	50	3.306	84.82	3.022	78.76	2.746	69.76	2.600	66.04	2.400	60.96
30	60	3.806	96.82	3.522	89.86	3.246	82.86	3.100	78.74	2.900	73.66
35	70	3.906	99.96	3.622	92.06	3.346	84.99	3.200	81.28	3.000	76.20
35	70	4.406	109.83	4.022	102.06	3.846	98.06	3.800	93.98	3.500	88.96
38	76	5.406	130.76	4.822	104.89	4.846	97.592	4.700	93.976	4.500	89.08
40	80	5.806	129.34	5.822	122.68	5.246	133.60	5.400	129.54	4.900	104.66
60	120	6.806	173.82	6.522	160.06	6.246	159.06	6.100	154.94	5.900	129.86
72	144	8.606	204.09	8.322	190.89	8.046	189.82	7.900	189.88	7.700	180.28

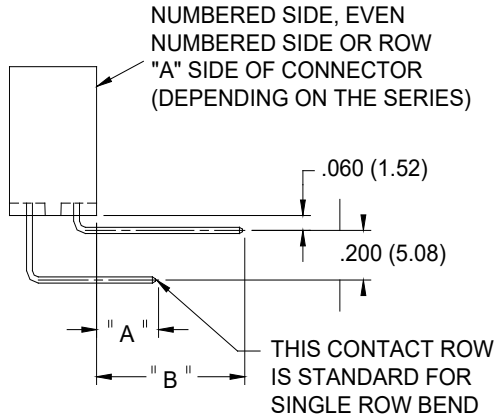
845/895 SERIES



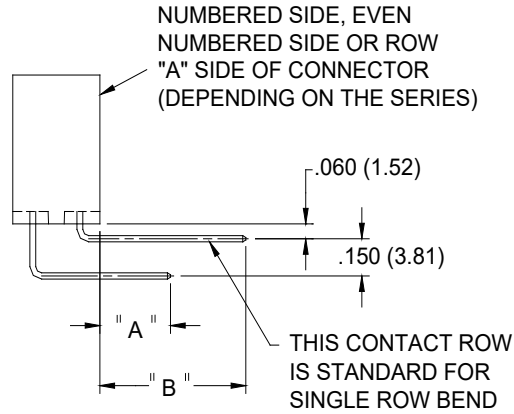
High Temp Card Edge Connectors 0.100" (2.54mm) Pitch



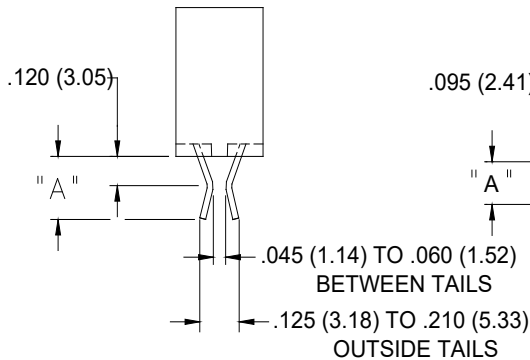
CODE X02 AND X04- THROUGH MTG. HOLES		
	CODE X02	CODE X04
"A" DIA.	0.128(3.25)	0.156(3.96)
CODE X07 AND X08- THREADED INSERTS		
	CODE X07	CODE X08
INSERT	M3-0.5(METRIC)	#4-40 UNC
SIDE MOUNTING HOLES WITH INSERTS		
	CODE X17	CODE X18
INSERT	M3-0.5(METRIC)	#4-40 UNC



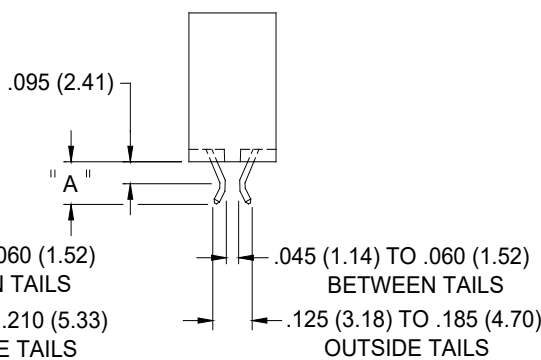
CONTACT CODE 558



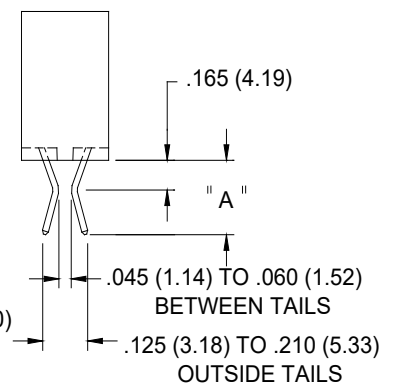
CONTACT CODE 559



CONTACT CODE 555 BEND USES WIRE HOLE CONTACTS



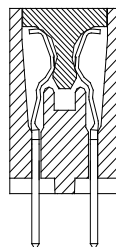
CONTACT CODE 556



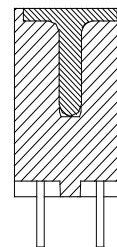
CONTACT CODE 560

MTG. OPTION	A	B
555	0.245(6.22)	
556	0.170(4.32)	
558	0.235(5.97)	0.635(16.13)
559	0.285(7.24)	0.635(16.13)
560	0.375(9.53)	

IN-CONTACT
POLARIZING KEY
P/N 345-240-328



BETWEEN CONTACT
POLARIZING KEY
P/N 345-240-318



Looking for pricing, stock, or lifecycle information?

Click below to explore more details on WIN SOURCE:

 [View 845-012-560-802 on WIN SOURCE](#)

 [EDAC Inc. Information](#)

Optimize Your Supply Chain with WIN SOURCE Solutions

-  Global Sourcing Solution
-  Obsolete Management
-  Cost Control Management
-  Shortage Management
-  Alternative Solution
-  Excess Inventory Management