



**THE DATASHEET OF  
74ABT04PW,118**



# 74ABT04

## Hex inverter

Rev. 5.1 — 18 January 2024

Product data sheet

## 1. General description

The 74ABT04 is a hex inverter. This device is fully specified for partial power down applications using  $I_{OFF}$ . The  $I_{OFF}$  circuitry disables the output, preventing the potentially damaging backflow current through the device when it is powered down.

## 2. Features and benefits

- Supply voltage range from 4.5 V to 5.5 V
- BiCMOS high speed and output drive
- Direct interface with TTL levels
- $I_{OFF}$  circuitry provides partial Power-down mode operation
- Latch-up protection exceeds 500 mA per JESD78B class II level A
- ESD protection:
  - HBM: ANSI/ESDA/JEDEC JS-001 class 2 exceeds 2000 V
  - CDM: ANSI/ESDA/JEDEC JS-002 class C3 exceeds 1000 V
- Specified from -40 °C to +85 °C

## 3. Ordering information

Table 1. Ordering information

Type number	Package			
	Temperature range	Name	Description	Version
<a href="#">74ABT04D</a>	-40 °C to +85 °C	SO14	plastic small outline package; 14 leads; body width 3.9 mm	<a href="#">SOT108-1</a>
<a href="#">74ABT04PW</a>	-40 °C to +85 °C	TSSOP14	plastic thin shrink small outline package; 14 leads; body width 4.4 mm	<a href="#">SOT402-1</a>

### 4. Functional diagram

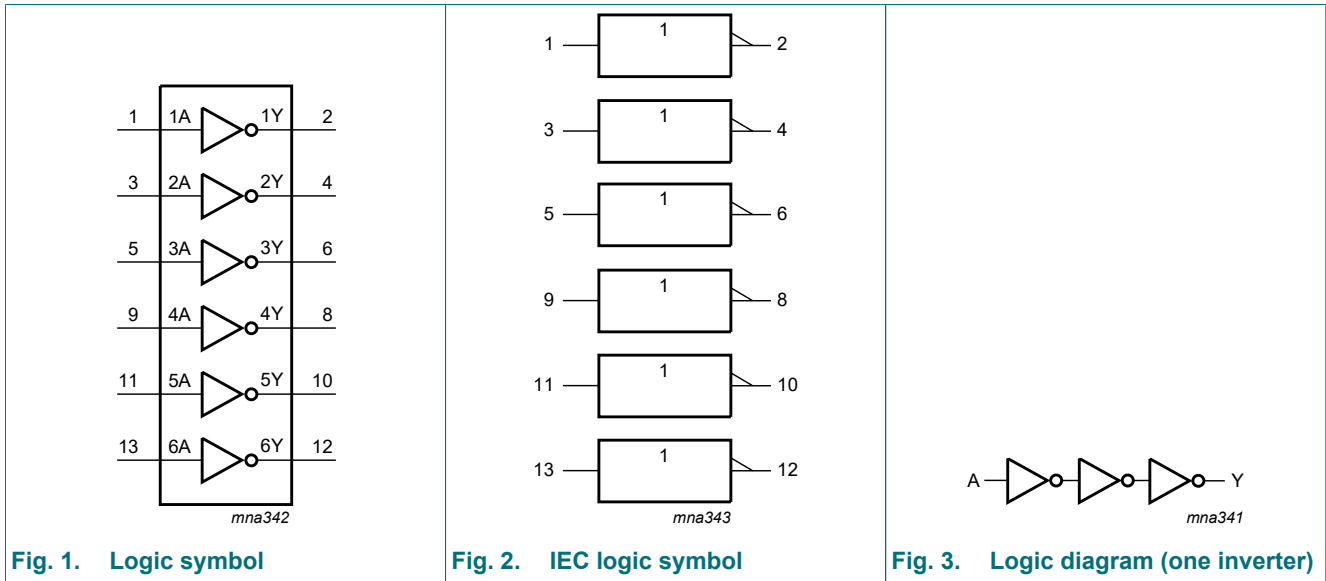


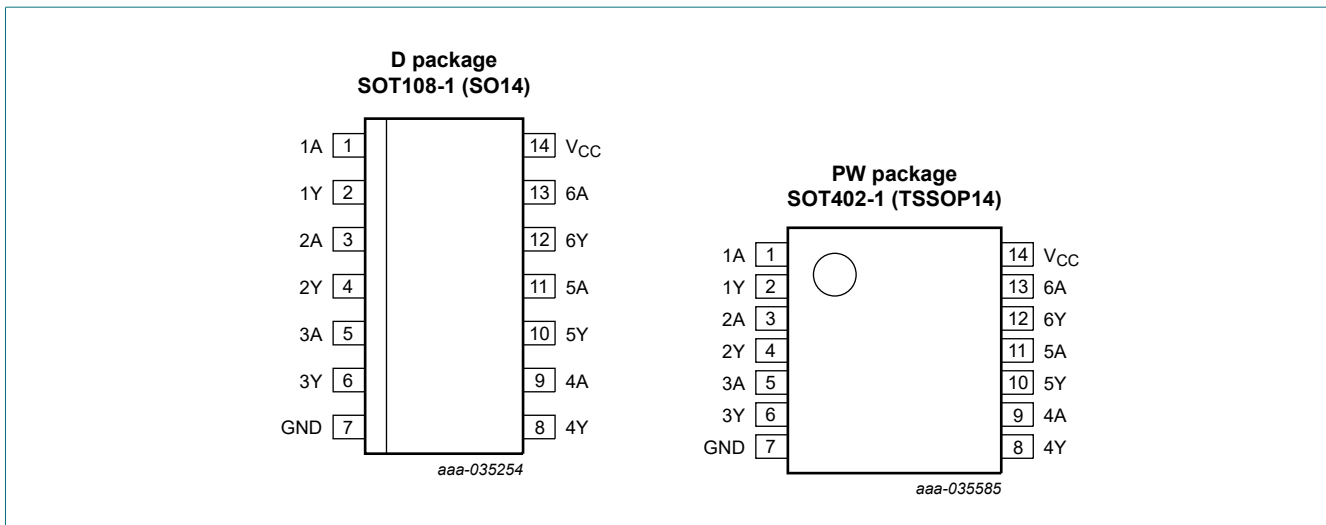
Fig. 1. Logic symbol

Fig. 2. IEC logic symbol

Fig. 3. Logic diagram (one inverter)

### 5. Pinning information

#### 5.1. Pinning



#### 5.2. Pin description

Table 2. Pin description

Symbol	Pin	Description
1A, 2A, 3A, 4A, 5A, 6A	1, 3, 5, 9, 11, 13	data input
1Y, 2Y, 3Y, 4Y, 5Y, 6Y	2, 4, 6, 8, 10, 12	data output
GND	7	ground (0 V)
V <sub>CC</sub>	14	supply voltage

## 6. Functional description

**Table 3. Function table**

*H = HIGH voltage level; L = LOW voltage level*

Input	Output
nA	nY
L	H
H	L

## 7. Limiting values

**Table 4. Limiting values**

*In accordance with the Absolute Maximum Rating System (IEC 60134).*

Symbol	Parameter	Conditions	Min	Max	Unit
$V_{CC}$	supply voltage		-0.5	+7.0	V
$V_I$	input voltage		[1] -1.2	+7.0	V
$V_O$	output voltage	output HIGH or LOW	[1] -0.5	+5.5	V
$I_{IK}$	input clamping current	$V_I < 0$ V	-18	-	mA
$I_{OK}$	output clamping current	$V_O < 0$ V	-50	-	mA
$I_O$	output current	output in LOW-state	-	40	mA
$T_j$	junction temperature		-	150	°C
$T_{stg}$	storage temperature		-65	+150	°C

[1] The input and output voltage ratings may be exceeded if the input and output current ratings are observed.

## 8. Recommended operating conditions

**Table 5. Operating conditions**

*Voltages are referenced to GND (ground = 0 V).*

Symbol	Parameter	Conditions	Min	Typ	Max	Unit
$V_{CC}$	supply voltage		4.5	-	5.5	V
$V_I$	input voltage		0	-	$V_{CC}$	V
$V_{IH}$	HIGH-level input voltage		2.0	-	-	V
$V_{IL}$	LOW-level input voltage		-	-	0.8	V
$I_{OH}$	HIGH-level output current		-15	-	-	mA
$I_{OL}$	LOW-level output current		-	-	20	mA
$\Delta t/\Delta V$	input transition rise and fall rate		0	-	5	ns/V
$T_{amb}$	ambient temperature	in free air	-40	-	+85	°C

## 9. Static characteristics

Table 6. Static characteristics

Symbol	Parameter	Conditions	25 °C			-40 °C to +85 °C		Unit
			Min	Typ	Max	Min	Max	
V <sub>IK</sub>	input clamping voltage	V <sub>CC</sub> = 4.5 V; I <sub>IK</sub> = -18 mA	-1.2	-0.9	-	-1.2	-	V
V <sub>OH</sub>	HIGH-level output voltage	V <sub>CC</sub> = 4.5 V; I <sub>OH</sub> = -15 mA; V <sub>I</sub> = V <sub>IL</sub> or V <sub>IH</sub>	2.5	2.9	-	2.5	-	V
V <sub>OL</sub>	LOW-level output voltage	V <sub>CC</sub> = 4.5 V; I <sub>OL</sub> = 20 mA; V <sub>I</sub> = V <sub>IL</sub> or V <sub>IH</sub>	-	0.35	0.5	-	0.5	V
I <sub>I</sub>	input leakage current	V <sub>CC</sub> = 5.5 V; V <sub>I</sub> = GND or 5.5 V	-	±0.01	±1.0	-	±1.0	µA
I <sub>OFF</sub>	power-off leakage current	V <sub>CC</sub> = 0 V; V <sub>I</sub> or V <sub>O</sub> ≤ 4.5 V	-	±5.0	±100	-	±100	µA
I <sub>CEX</sub>	output high leakage current	HIGH-state; V <sub>O</sub> = 5.5 V; V <sub>CC</sub> = 5.5 V; V <sub>I</sub> = GND or V <sub>CC</sub>	-	5.0	50	-	50	µA
I <sub>O</sub>	output current	V <sub>CC</sub> = 5.5 V; V <sub>O</sub> = 2.5 V [1]	-50	-75	-180	-50	-180	mA
I <sub>CC</sub>	supply current	V <sub>CC</sub> = 5.5 V; V <sub>I</sub> = GND or V <sub>CC</sub>	-	2	50	-	50	µA
ΔI <sub>CC</sub>	additional supply current	per input pin; V <sub>CC</sub> = 5.5 V; one input at 3.4 V; other inputs at V <sub>CC</sub> or GND [2]	-	0.25	500	-	500	µA
C <sub>I</sub>	input capacitance	V <sub>I</sub> = 0 V or V <sub>CC</sub>	-	3	-	-	-	pF

[1] Not more than one output should be tested at a time, and the duration of the test should not exceed one second.

[2] This is the increase in supply current for each input at 3.4 V.

## 10. Dynamic characteristics

Table 7. Dynamic characteristics

GND = 0 V; for test circuit, see Fig. 5.

Symbol	Parameter	Conditions	25 °C; V <sub>CC</sub> = 5.0 V			-40 °C to +85 °C; V <sub>CC</sub> = 5.0 V ± 0.5 V		Unit
			Min	Typ	Max	Min	Max	
t <sub>PLH</sub>	LOW to HIGH propagation delay	nA to nY; see Fig. 4	1.0	2.2	3.4	1.0	4.1	ns
t <sub>PHL</sub>	HIGH to LOW propagation delay	nA to nY; see Fig. 4	1.0	1.6	2.5	1.0	3.0	ns
t <sub>sk(o)</sub>	output skew time [1]		-	0.4	0.5	-	0.5	ns

[1] Skew between any two outputs of the same package switching in the same direction. This parameter is guaranteed by design.

10.1. Waveforms and test circuit

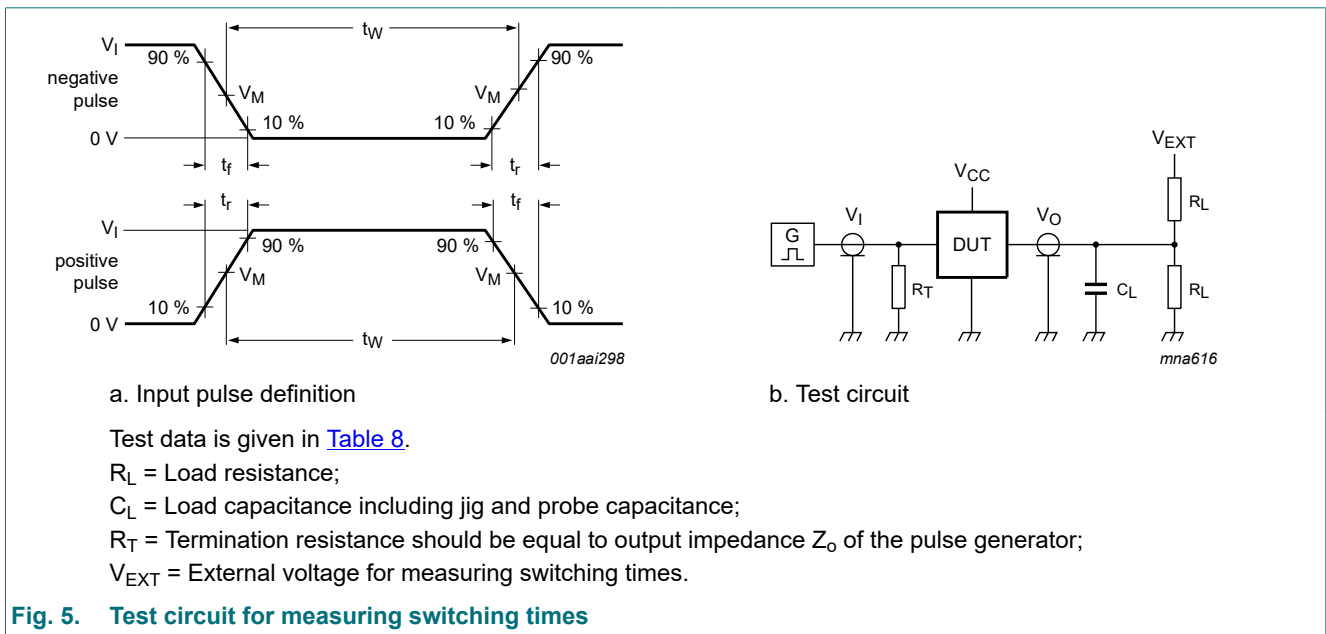
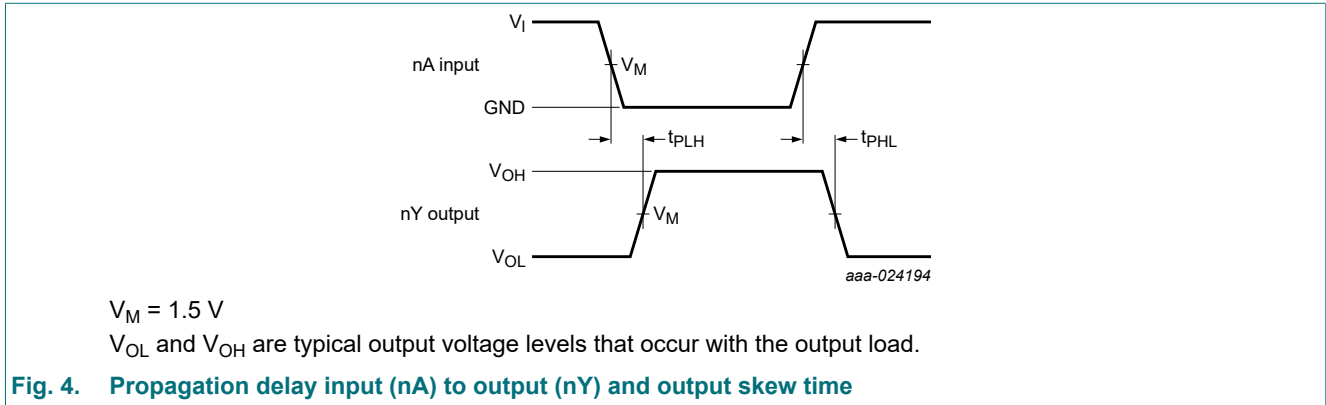


Table 8. Test data

Input				Load		$V_{EXT}$
$V_I$	$f_i$	$t_w$	$t_r, t_f$	$C_L$	$R_L$	$t_{PHL}, t_{PLH}$
3.0 V	1 MHz	500 ns	$\leq 2.5\text{ ns}$	50 pF	500 $\Omega$	open

### 11. Package outline

SO14: plastic small outline package; 14 leads; body width 3.9 mm

SOT108-1

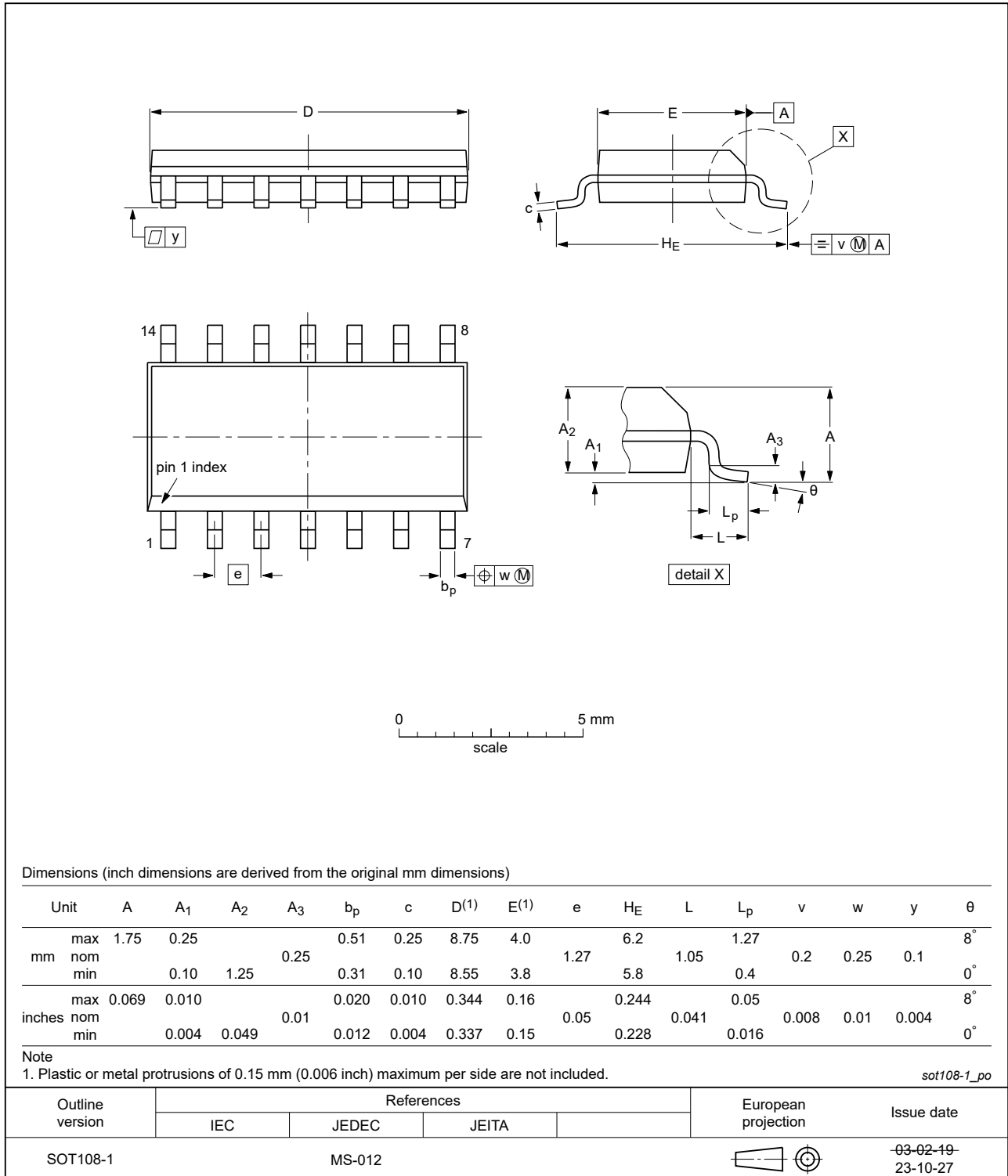


Fig. 6. Package outline SOT108-1 (SO14)

TSSOP14: plastic thin shrink small outline package; 14 leads; body width 4.4 mm

SOT402-1

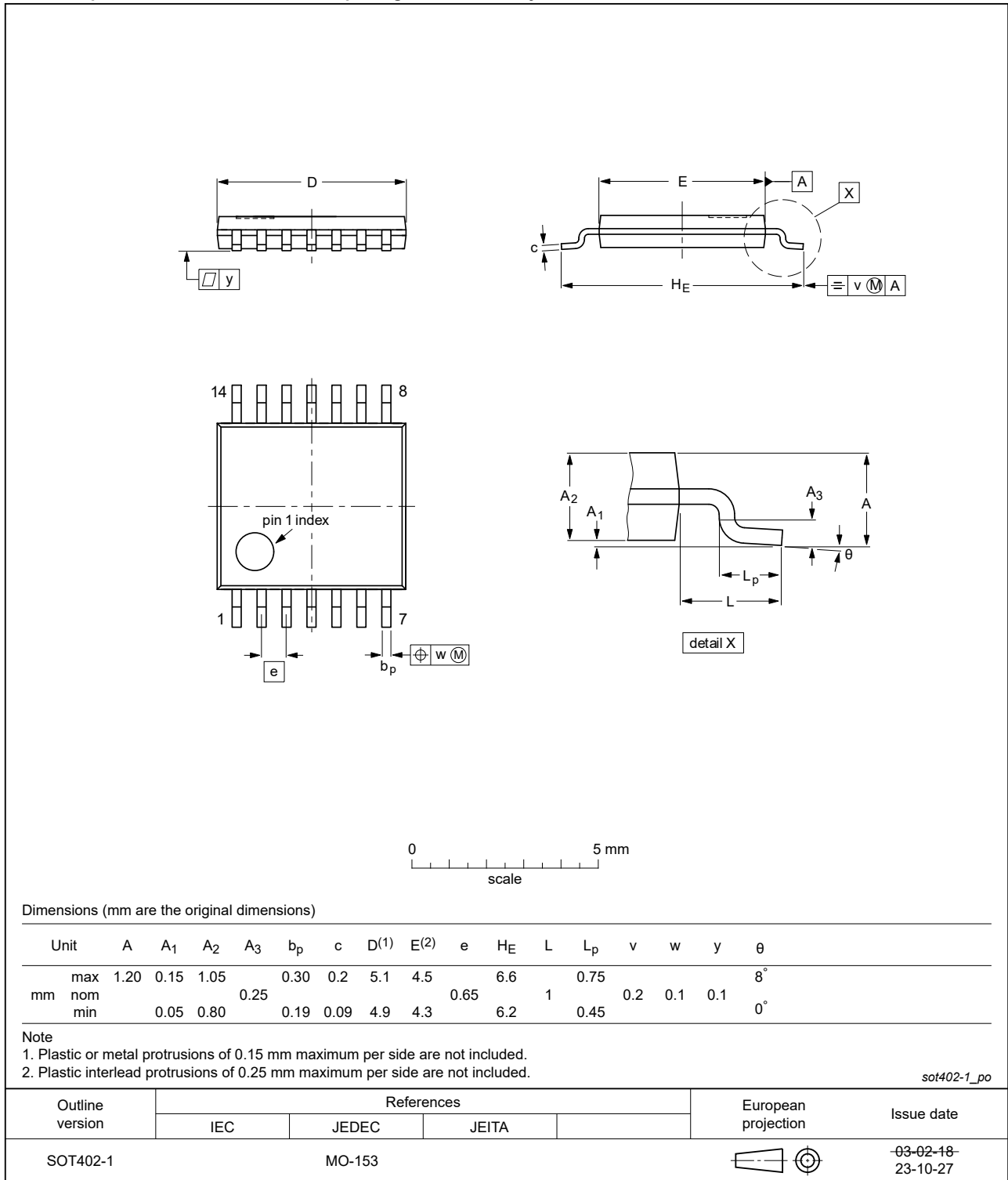


Fig. 7. Package outline SOT402-1 (TSSOP14)

## 12. Abbreviations

Table 9. Abbreviations

Acronym	Description
BiCMOS	Bipolar Complementary Metal-Oxide Semiconductor
CDM	Charged Device Model
DUT	Device Under Test
ESD	ElectroStatic Discharge
HBM	Human Body Model
TTL	Transistor-Transistor Logic

## 13. Revision history

Table 10. Revision history

Document ID	Release date	Data sheet status	Change notice	Supersedes
74ABT04 v.5.1	20240118	Product data sheet	-	74ABT04 v.4
Modifications:	<ul style="list-style-type: none"> <li>• <a href="#">Section 2</a>: ESD specification updated according to the latest JEDEC standard.</li> <li>• <a href="#">Fig. 6</a>, <a href="#">Fig. 7</a>: Aligned SO and TSSOP package outline drawings to JEDEC MS-012 and MO-153.</li> </ul>			
74ABT04 v.4	20201006	Product data sheet	-	74ABT04 v.3
Modifications:	<ul style="list-style-type: none"> <li>• The format of this data sheet has been redesigned to comply with the identity guidelines of Nexperia.</li> <li>• Legal texts have been adapted to the new company name where appropriate.</li> <li>• <a href="#">Section 1</a> and <a href="#">Section 2</a> updated.</li> <li>• Type number 74ABT04DB (SOT337-1 / SSOP14) removed.</li> </ul>			
74ABT04 v.3	20160812	Product data sheet	-	74ABT04 v.2
Modifications:	<ul style="list-style-type: none"> <li>• The format of this data sheet has been redesigned to comply with the new identity guidelines of NXP Semiconductors.</li> <li>• Legal texts have been adapted to the new company name where appropriate.</li> </ul>			
74ABT04 v.2	19950918	Product specification	-	-

## 14. Legal information

### Data sheet status

Document status [1][2]	Product status [3]	Definition
Objective [short] data sheet	Development	This document contains data from the objective specification for product development.
Preliminary [short] data sheet	Qualification	This document contains data from the preliminary specification.
Product [short] data sheet	Production	This document contains the product specification.

- [1] Please consult the most recently issued document before initiating or completing a design.
- [2] The term 'short data sheet' is explained in section "Definitions".
- [3] The product status of device(s) described in this document may have changed since this document was published and may differ in case of multiple devices. The latest product status information is available on the internet at <https://www.nexperia.com>.

### Definitions

**Draft** — The document is a draft version only. The content is still under internal review and subject to formal approval, which may result in modifications or additions. Nexperia does not give any representations or warranties as to the accuracy or completeness of information included herein and shall have no liability for the consequences of use of such information.

**Short data sheet** — A short data sheet is an extract from a full data sheet with the same product type number(s) and title. A short data sheet is intended for quick reference only and should not be relied upon to contain detailed and full information. For detailed and full information see the relevant full data sheet, which is available on request via the local Nexperia sales office. In case of any inconsistency or conflict with the short data sheet, the full data sheet shall prevail.

**Product specification** — The information and data provided in a Product data sheet shall define the specification of the product as agreed between Nexperia and its customer, unless Nexperia and customer have explicitly agreed otherwise in writing. In no event however, shall an agreement be valid in which the Nexperia product is deemed to offer functions and qualities beyond those described in the Product data sheet.

### Disclaimers

**Limited warranty and liability** — Information in this document is believed to be accurate and reliable. However, Nexperia does not give any representations or warranties, expressed or implied, as to the accuracy or completeness of such information and shall have no liability for the consequences of use of such information. Nexperia takes no responsibility for the content in this document if provided by an information source outside of Nexperia.

In no event shall Nexperia be liable for any indirect, incidental, punitive, special or consequential damages (including - without limitation - lost profits, lost savings, business interruption, costs related to the removal or replacement of any products or rework charges) whether or not such damages are based on tort (including negligence), warranty, breach of contract or any other legal theory.

Notwithstanding any damages that customer might incur for any reason whatsoever, Nexperia's aggregate and cumulative liability towards customer for the products described herein shall be limited in accordance with the Terms and conditions of commercial sale of Nexperia.

**Right to make changes** — Nexperia reserves the right to make changes to information published in this document, including without limitation specifications and product descriptions, at any time and without notice. This document supersedes and replaces all information supplied prior to the publication hereof.

**Suitability for use** — Nexperia products are not designed, authorized or warranted to be suitable for use in life support, life-critical or safety-critical systems or equipment, nor in applications where failure or malfunction of an Nexperia product can reasonably be expected to result in personal

injury, death or severe property or environmental damage. Nexperia and its suppliers accept no liability for inclusion and/or use of Nexperia products in such equipment or applications and therefore such inclusion and/or use is at the customer's own risk.

**Quick reference data** — The Quick reference data is an extract of the product data given in the Limiting values and Characteristics sections of this document, and as such is not complete, exhaustive or legally binding.

**Applications** — Applications that are described herein for any of these products are for illustrative purposes only. Nexperia makes no representation or warranty that such applications will be suitable for the specified use without further testing or modification.

Customers are responsible for the design and operation of their applications and products using Nexperia products, and Nexperia accepts no liability for any assistance with applications or customer product design. It is customer's sole responsibility to determine whether the Nexperia product is suitable and fit for the customer's applications and products planned, as well as for the planned application and use of customer's third party customer(s). Customers should provide appropriate design and operating safeguards to minimize the risks associated with their applications and products.

Nexperia does not accept any liability related to any default, damage, costs or problem which is based on any weakness or default in the customer's applications or products, or the application or use by customer's third party customer(s). Customer is responsible for doing all necessary testing for the customer's applications and products using Nexperia products in order to avoid a default of the applications and the products or of the application or use by customer's third party customer(s). Nexperia does not accept any liability in this respect.

**Limiting values** — Stress above one or more limiting values (as defined in the Absolute Maximum Ratings System of IEC 60134) will cause permanent damage to the device. Limiting values are stress ratings only and (proper) operation of the device at these or any other conditions above those given in the Recommended operating conditions section (if present) or the Characteristics sections of this document is not warranted. Constant or repeated exposure to limiting values will permanently and irreversibly affect the quality and reliability of the device.

**Terms and conditions of commercial sale** — Nexperia products are sold subject to the general terms and conditions of commercial sale, as published at <http://www.nexperia.com/profile/terms>, unless otherwise agreed in a valid written individual agreement. In case an individual agreement is concluded only the terms and conditions of the respective agreement shall apply. Nexperia hereby expressly objects to applying the customer's general terms and conditions with regard to the purchase of Nexperia products by customer.

**No offer to sell or license** — Nothing in this document may be interpreted or construed as an offer to sell products that is open for acceptance or the grant, conveyance or implication of any license under any copyrights, patents or other industrial or intellectual property rights.

**Export control** — This document as well as the item(s) described herein may be subject to export control regulations. Export might require a prior authorization from competent authorities.

**Non-automotive qualified products** — Unless this data sheet expressly states that this specific Nexperia product is automotive qualified, the product is not suitable for automotive use. It is neither qualified nor tested in accordance with automotive testing or application requirements. Nexperia accepts no liability for inclusion and/or use of non-automotive qualified products in automotive equipment or applications.

In the event that customer uses the product for design-in and use in automotive applications to automotive specifications and standards, customer (a) shall use the product without Nexperia's warranty of the product for such automotive applications, use and specifications, and (b) whenever customer uses the product for automotive applications beyond Nexperia's specifications such use shall be solely at customer's own risk, and (c) customer fully indemnifies Nexperia for any liability, damages or failed product claims resulting from customer design and use of the product for automotive applications beyond Nexperia's standard warranty and Nexperia's product specifications.

**Translations** — A non-English (translated) version of a document is for reference only. The English version shall prevail in case of any discrepancy between the translated and English versions.

### Trademarks

Notice: All referenced brands, product names, service names and trademarks are the property of their respective owners.

## Contents

---

<b>1. General description</b> .....	<b>1</b>
<b>2. Features and benefits</b> .....	<b>1</b>
<b>3. Ordering information</b> .....	<b>1</b>
<b>4. Functional diagram</b> .....	<b>2</b>
<b>5. Pinning information</b> .....	<b>2</b>
5.1. Pinning.....	2
5.2. Pin description.....	2
<b>6. Functional description</b> .....	<b>3</b>
<b>7. Limiting values</b> .....	<b>3</b>
<b>8. Recommended operating conditions</b> .....	<b>3</b>
<b>9. Static characteristics</b> .....	<b>4</b>
<b>10. Dynamic characteristics</b> .....	<b>4</b>
10.1. Waveforms and test circuit.....	5
<b>11. Package outline</b> .....	<b>6</b>
<b>12. Abbreviations</b> .....	<b>8</b>
<b>13. Revision history</b> .....	<b>8</b>
<b>14. Legal information</b> .....	<b>9</b>

---



© Nexperia B.V. 2024. All rights reserved

For more information, please visit: <http://www.nexperia.com>  
For sales office addresses, please send an email to: [salesaddresses@nexperia.com](mailto:salesaddresses@nexperia.com)  
Date of release: 18 January 2024

---

## Looking for pricing, stock, or lifecycle information?

Click below to explore more details on WIN SOURCE:

-  [View 74ABT04PW,118 on WIN SOURCE](#)
-  [Nexperia USA Inc. Information](#)

## Optimize Your Supply Chain with WIN SOURCE Solutions

-  Global Sourcing Solution
-  Obsolete Management
-  Cost Control Management
-  Shortage Management
-  Alternative Solution
-  Excess Inventory Management