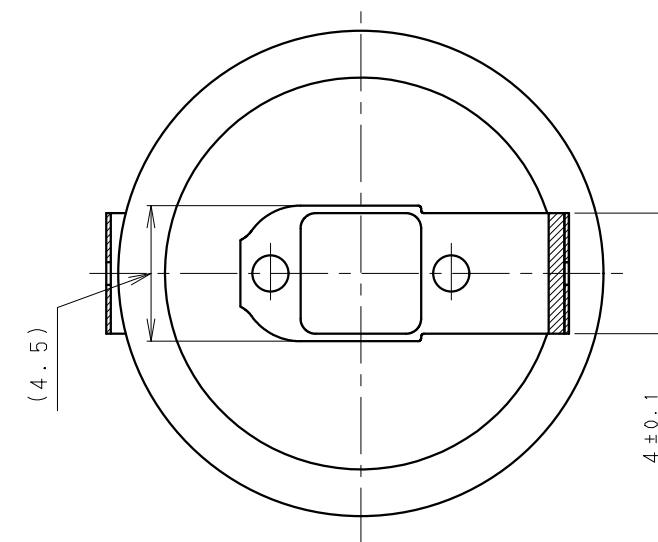
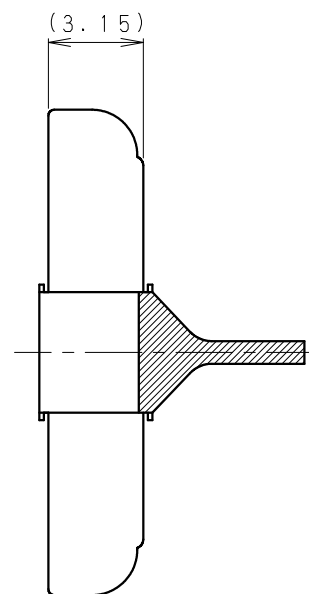
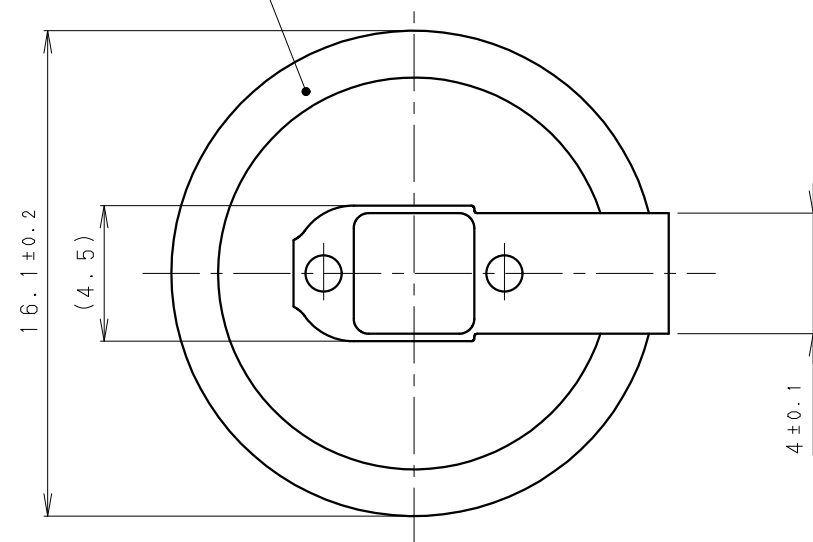




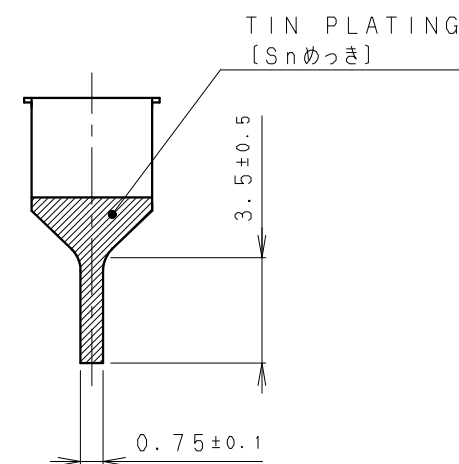
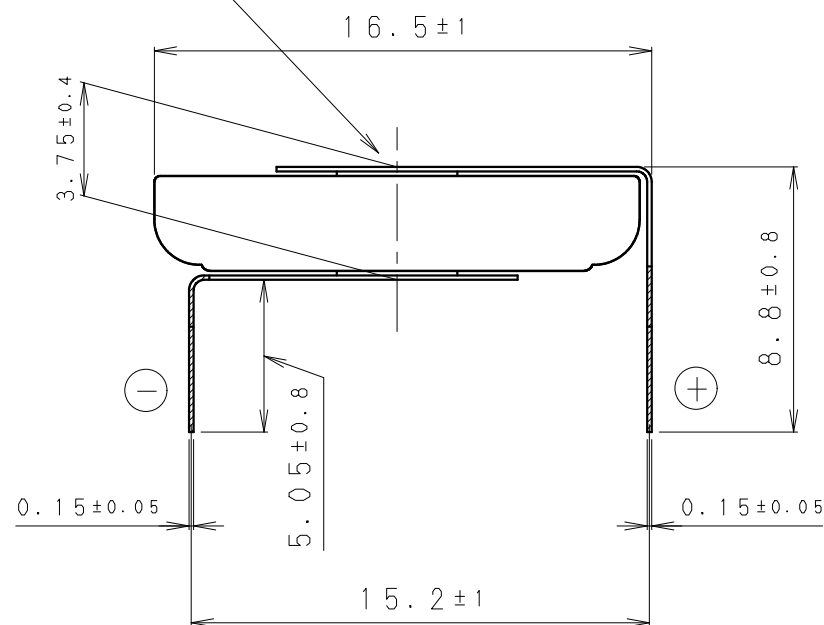
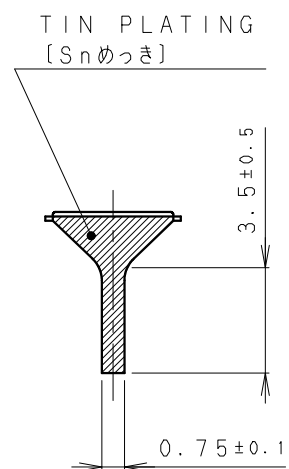
**THE DATASHEET OF  
BR-1632/HFN**



INSULATOR (YELLOW)  
[絶縁チューブ (黄色)]



DATE CODE INDICATION  
ON THIS SIDE [ロット表示面]



NOTE [注記]

1. NOMINAL VOLTAGE : 3V [公称電圧 3V]
2. TAB WELDING STRENGTH OVER 14.7N [端子溶接強度 : 14.7N以上]
3. TAB MATERIAL : STAINLESS STEEL WITH TIN PLATING [端子材料 : 基材 ステンレス / 表面 部分Snめっき]
4. ( ) : REFERENCE DIMENSION AND ANGLE [ ( ) 寸法、角度は参考値]
5. REGARDING THE LAST CHARACTER OF PRODUCT NO.  
N MEANS INTERNATIONAL MODEL.  
K MEANS JAPANESE MODEL.  
[製品番号の末尾の文字に関して Nは海外向、Kは日本向を意味します。]

PRODUCT NO.	BR-1632/HFN (K)	SCALE	4 : 1
DRAWING NO.	MMHA1Z	 UNIT : mm	

## Looking for pricing, stock, or lifecycle information?

Click below to explore more details on WIN SOURCE:

 [View BR-1632/HFN on WIN SOURCE](#)

 [Panasonic Information](#)

## Optimize Your Supply Chain with WIN SOURCE Solutions

-  Global Sourcing Solution
-  Obsolete Management
-  Cost Control Management
-  Shortage Management
-  Alternative Solution
-  Excess Inventory Management