



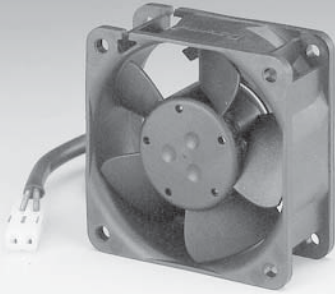
**THE DATASHEET OF
612NGHH**



600NG Series

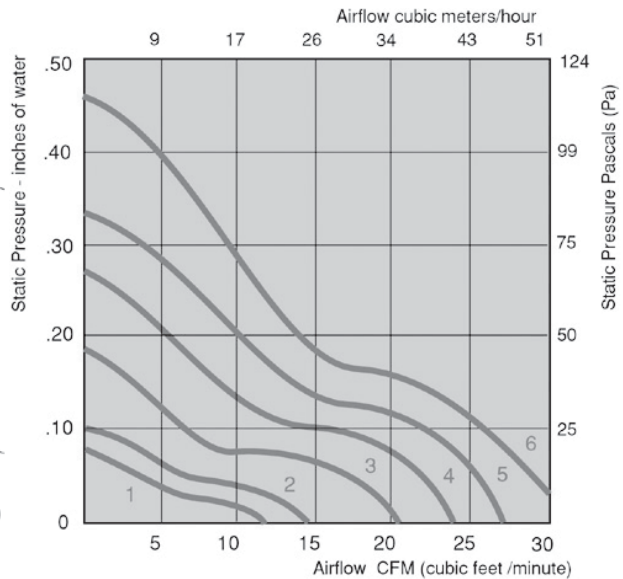
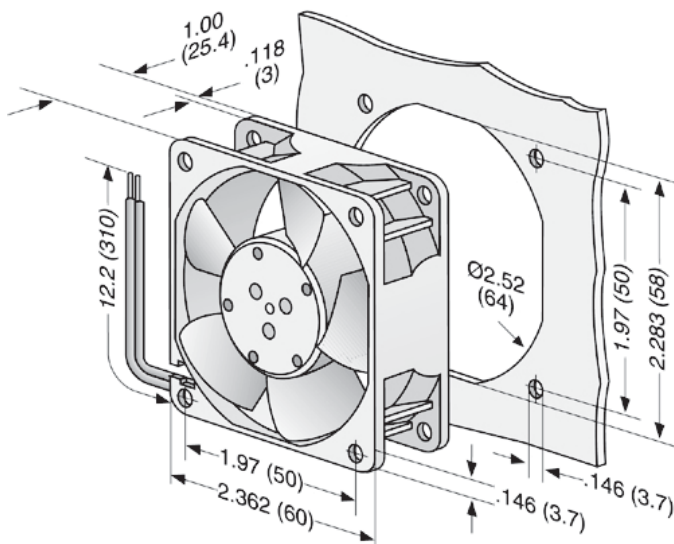
Tubeaxial

60x60x25mm



- DC fans with electronically commutated external rotor motor. Fully integrated commutation electronics.
- With electronic protection against reverse polarity, blocking and overloading.
- Mounting from either face using four 3.7 mm holes.
- Fan of fiberglass reinforced plastic. PBTP housing, PA impeller.
- Air exhaust over struts. Rotational direction CCW looking at rotor.
- Electrical connection via 2 leads AWG 22, TR 64. Stripped and tinned ends.
- UL, CSA, VDE approvals on some models, please contact application engineering.

Part Number	Curve	CFM @ 0	VDC	Volt. Range	Power (W)	dBA	Max Amb. Temp C	Bearing Type	Features	Wgt. (lbs)
612NGL	1	12	12	8 to 15	0.8	16	70	Sintec	Leads	0.19
612NGML	2	15	12	8 to 15	0.9	19	70	Sintec	Leads	0.19
612NGM	3	21	12	8 to 15	1.3	28	70	Sintec	Leads	0.19
612NGN	4	24	12	8 to 15	2.1	35	70	Sintec	Leads	0.19
612NGH	5	27	12	8 to 15	2.6	38	70	Sintec	Leads	0.19
612NGHH	6	33	12	8 to 13.2	3.8	43	70	Sintec	Leads	0.19
614NGL	1	12	24	18 to 28	1.0	16	70	Sintec	Leads	0.19
614NGML	2	15	24	18 to 28	1.2	19	70	Sintec	Leads	0.19
614NGM	3	21	24	18 to 28	1.7	28	70	Sintec	Leads	0.19
614NGN	4	24	24	18 to 28	2.1	35	70	Sintec	Leads	0.19
614NGH	5	27	24	18 to 26	2.6	38	70	Sintec	Leads	0.19
614NGHH	6	33	24	18 to 26	3.8	43	70	Sintec	Leads	0.19



Looking for pricing, stock, or lifecycle information?

Click below to explore more details on WIN SOURCE:

 [View 612NGHH on WIN SOURCE](#)

 [ebm-papst Information](#)

Optimize Your Supply Chain with WIN SOURCE Solutions

-  Global Sourcing Solution
-  Obsolete Management
-  Cost Control Management
-  Shortage Management
-  Alternative Solution
-  Excess Inventory Management