



**THE DATASHEET OF  
BQ51221YFPT**



# bq51221 Dual Mode 5-W (WPC and PMA) Single Chip Wireless Power Receiver

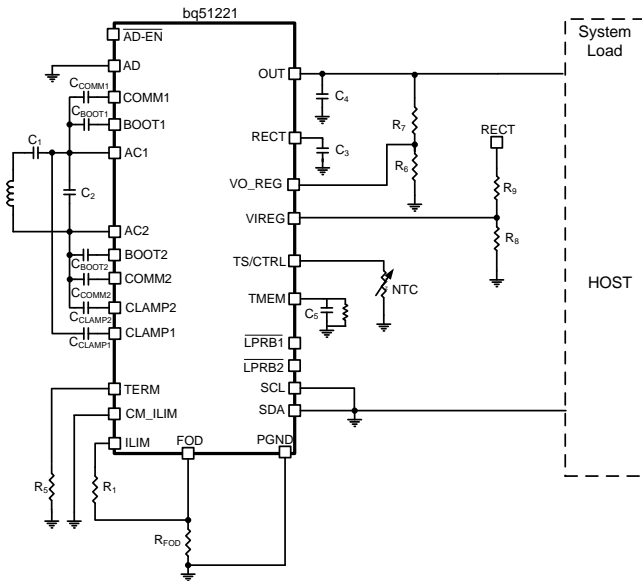
## 1 Features

- Robust 5-W Solution With 50% Lower Losses for Improved Thermals
  - Inductorless Receiver for Lowest Height Profile Solution
  - Adjustable Output Voltage (4.5 to 8 V) for Coil and Thermal Optimization
  - Fully Synchronous Rectifier With 96% Efficiency
  - 97% Efficient Post Regulator
  - 79% System Efficiency at 5 W
- WPC v1.1 and PMA Compliant Communication
- Patented Transmitter Pad Detect Function Improves User Experience
- I<sup>2</sup>C Communication with Host

## 2 Applications

- Smart Phones, Tablets, and Headsets
- Wi-Fi Hotspots
- Power Banks
- Other Handheld Devices

## 4 Simplified Schematic



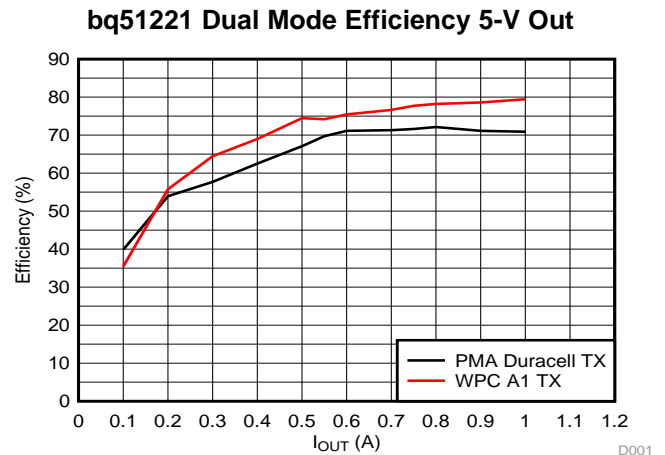
## 3 Description

The bq51221 device is a fully contained wireless power receiver capable of operating in both the WPC and PMA protocols which allows a wireless power system to work with both WPC and PMA inductive charging standards. The bq51221 device provides a single device power conversion (rectification and regulation) as well as the digital control and communication for both standards. It also has autonomous detection of protocol and requires no additional active devices. The bq51221 device complies with the WPC v1.1 and PMA communication protocol. Together with the WPC or a PMA primary-side controller, the bq51221 device enables a complete wireless power transfer system for a wireless power supply solution. The receiver allows for synchronous rectification, regulation and control and communication to all exist in a market-leading form factor, efficiency, and solution size.

### Device Information<sup>(1)</sup>

| PART NUMBER | PACKAGE  | BODY SIZE (MAX)     |
|-------------|----------|---------------------|
| bq51221     | YFP (42) | 3.586 mm x 2.874 mm |

(1) For all available packages, see the orderable addendum at the end of the data sheet.



D001



## Table of Contents

|  |          |  |           |
|--|----------|--|-----------|
| <b>1 Features</b> .....                        | <b>1</b> | 9.2 Functional Block Diagram .....                               | <b>11</b> |
| <b>2 Applications</b> .....                    | <b>1</b> | 9.3 Feature Description .....                                    | <b>12</b> |
| <b>3 Description</b> .....                     | <b>1</b> | 9.4 Device Functional Modes .....                                | <b>18</b> |
| <b>4 Simplified Schematic</b> .....            | <b>1</b> | 9.5 Register Maps .....  | <b>22</b> |
| <b>5 Revision History</b> .....                | <b>2</b> | <b>10 Application and Implementation</b> .....                   | <b>27</b> |
| <b>6 Device Comparison Table</b> .....         | <b>3</b> | 10.1 Application Information .....                               | <b>27</b> |
| <b>7 Pin Configuration and Functions</b> ..... | <b>3</b> | 10.2 Typical Applications .....                                  | <b>27</b> |
| <b>8 Specifications</b> .....                  | <b>4</b> | <b>11 Power Supply Recommendations</b> .....                     | <b>39</b> |
| 8.1 Absolute Maximum Ratings .....             | <b>4</b> | <b>12 Layout</b> .....   | <b>40</b> |
| 8.2 Handling Ratings .....                     | <b>5</b> | 12.1 Layout Guidelines .....                                     | <b>40</b> |
| 8.3 Recommended Operating Conditions .....     | <b>5</b> | 12.2 Layout Example .....  | <b>40</b> |
| 8.4 Thermal Information .....                  | <b>5</b> | <b>13 Device and Documentation Support</b> .....                 | <b>41</b> |
| 8.5 Electrical Characteristics .....           | <b>6</b> | 13.1 Trademarks .....  | <b>41</b> |
| 8.6 Typical Characteristics .....              | <b>8</b> | 13.2 Electrostatic Discharge Caution .....                       | <b>41</b> |
| <b>9 Detailed Description</b> .....            | <b>9</b> | 13.3 Glossary .....  | <b>41</b> |
| 9.1 Overview .....                             | <b>9</b> | <b>14 Mechanical, Packaging, and Orderable Information</b> ..... | <b>41</b> |

## 5 Revision History

### Changes from Original (February 2014) to Revision A

**Page**

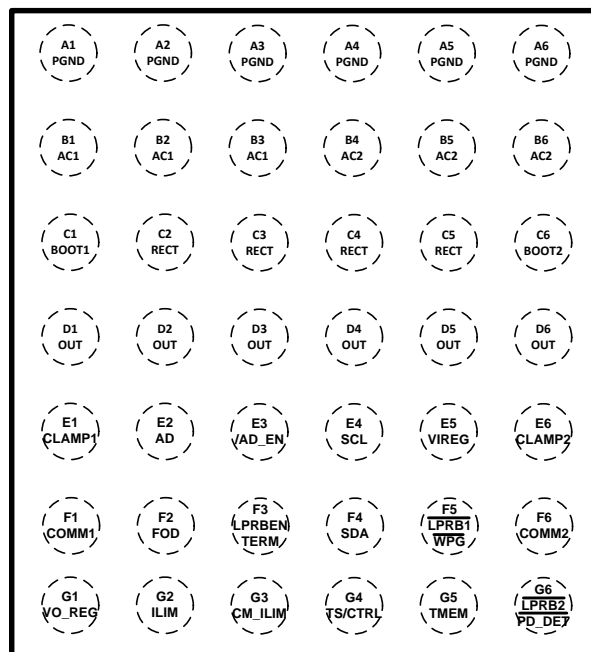
|  |           |
|--|-----------|
| • Removed active low from pin in <i>Absolute Maximum Ratings</i> .....   | <b>4</b>  |
| • Corrected inconsistencies in parameter subscripts in the <i>Electrical Characteristics</i> .....             | <b>6</b>  |
| • Changed nominal value of $I_{COMM}$ in <i>Electrical Characteristics</i> and <b>Table 4</b> .....            | <b>6</b>  |
| • Changed conditions of Over Voltage and No Response in <b>Table 3</b> (End Power Transfer Codes in WPC) ..... | <b>15</b> |
| • Changed enable / disable states for CM_ILIM .....  | <b>15</b> |
| • Changed <b>Equation 8</b> to reflect proper formula for $R_{MEM}$ .....                                      | <b>16</b> |
| • Changed <b>Figure 13</b> to show correct flow .....  | <b>19</b> |
| • Changed <b>Figure 14</b> to show 2 attempts allowed in Active Power Transfer for PMA .....                   | <b>20</b> |
| • Changed <b>Figure 15</b> and added description for PMA Active Power Control .....                            | <b>20</b> |
| • Corrected $V(UVLO)$ to $V_{UVLO}$ in <i>Register Maps</i> .....  | <b>22</b> |
| • Changed from 10000000 to reflect correct reset state .....   | <b>23</b> |
| • Changed $R_{S_{FOD}}$ bits to reflect correct scaling .....  | <b>23</b> |
| • Added <b>Table 13</b> for Memory Location 0xEF to indicate Transmitter type .....                            | <b>24</b> |
| • Corrected pin name typo .....  | <b>37</b> |

## 6 Device Comparison Table

| Device  | Mode                 | More   |
|---------|----------------------|--|
| bq51221 | Dual (WPC v1.1, PMA) | Adjustable output voltage, highest system efficiency, I <sup>2</sup> C |
| bq51021 | WPC v1.1             | Adjustable output voltage, highest system efficiency, I <sup>2</sup> C |
| bq51020 | WPC v1.1             | Adjustable output voltage, highest system efficiency, standalone       |

## 7 Pin Configuration and Functions

**YFP  
42 Pins  
(Top View)**



**Pin Functions**

| PIN     |            | TYPE | DESCRIPTION   |
|---------|------------|------|---|
| NAME    | NUMBER     |      |   |
| AC1     | B1, B2, B3 | I    | AC input power from receiver resonant tank  |
| AC2     | B4, B5, B6 | I    |   |
| AD      | E2         | I    | Adapter sense pin   |
| AD-EN   | E3         | O    | Push-pull driver for PFET that can pass AD input to the OUT pin; used for adapter mux control                               |
| BOOT1   | C1         | O    | Bootstrap capacitors for driving the high-side FETs of the synchronous rectifier  |
| BOOT2   | C6         | O    |   |
| COMM1   | F1         | O    | Open-drain FETs used to communicate with primary by varying reflected impedance   |
| COMM2   | F6         | O    |   |
| CLAMP1  | E1         | O    | Open-drain FETs used to clamp the secondary voltage by providing low impedance across secondary                             |
| CLAMP2  | E6         | O    |   |
| CM_ILIM | G3         | I    | Enables or disables communication current limit; can be pulled high or low to disable or enable communication current limit |
| FOD     | F2         | I    | Input that is used for scaling the received power message   |
| ILIM    | G2         | I/O  | Output current or overcurrent level programming pin   |

**Pin Functions (continued)**

| PIN                         |                        | TYPE | DESCRIPTION   |
|-----------------------------|------------------------|------|---|
| NAME                        | NUMBER                 |      |   |
| $\overline{\text{LPRB1}}$   | F5                     | O    | Open drain – active to help drive RECT voltage high at light load on a PMA TX   |
| $\overline{\text{LPRB2}}$   | G6                     |      |   |
| OUT                         | D1, D2, D3, D4, D5, D6 | O    | Output pin, used to deliver power to the load   |
| $\overline{\text{PD\_DET}}$ | G6                     | O    | Open drain output that allows user to sense when receiver is on transmitter   |
| PGND                        | A1, A2, A3, A4, A5, A6 | —    | Power and logic ground  |
| RECT                        | C2, C3, C4, C5         | O    | Filter capacitor for the internal synchronous rectifier   |
| SCL                         | E4                     | I    | SCL and SDA are used for I <sup>2</sup> C communication   |
| SDA                         | F4                     | I    |   |
| TERM, LPRBEN                | F3                     | I    | Sets termination current as a percentage of I <sub>ILIM</sub> as TERM pin. When TERM resistor is populated, LPRB pins are enabled with appropriate function |
| TMEM                        | G5                     | O    | TMEM allows capacitor to be connected to GND so energy from transmitter ping can be stored to retain memory of state  |
| TS/CTRL                     | G4                     | I    | Temperature sense. Can be pulled high to send end power transfer (EPT) or end of charge (EOC) to TX   |
| VIREG                       | E5                     | I    | Rectifier voltage feedback  |
| VO_REG                      | G1                     | I    | Sets the regulation voltage for output  |
| $\overline{\text{WPG}}$     | F5                     | O    | Open-drain output that allows user to sense when power is transferred to load   |

## 8 Specifications

### 8.1 Absolute Maximum Ratings

 over operating free-air temperature (unless otherwise noted)<sup>(1) (2)</sup>

|                     |  | MIN  | MAX | UNIT |
|---------------------|--|------|-----|------|
| Input voltage       | AC1, AC2   | −0.8 | 20  | V    |
|                     | RECT, COMM1, COMM2, OUT, $\overline{\text{LPRB1}}$ , $\overline{\text{LPRB2}}$ , CLAMP1, CLAMP2, $\overline{\text{WPG}}$ , $\overline{\text{PD\_DET}}$ | −0.3 | 20  |      |
|                     | AD, $\overline{\text{AD-EN}}$  | −0.3 | 30  |      |
|                     | BOOT1, BOOT2   | −0.3 | 20  |      |
|                     | SCL, SDA, TERM, CM_ILIM, FOD, TS/CTRL, ILIM, TMEM, VIREG, VO_REG, LPRBEN   | −0.3 | 7   |      |
| Input current       | AC1, AC2 (RMS)   | 2.5  |     | A    |
| Output current      | OUT  | 1.5  |     | A    |
| Output sink current | $\overline{\text{LPRB1}}$ , $\overline{\text{LPRB2}}$  | 15   |     | mA   |
| Output sink current | COMM1, COMM2   | 1    |     | A    |
| T <sub>J</sub>      | junction temperature   | −40  | 150 | °C   |

(1) All voltages are with respect to the PGND pin, unless otherwise noted.

(2) Stresses beyond those listed under absolute maximum ratings may cause permanent damage to the device. These are stress ratings only, and functional operation of the device at these or any other conditions beyond those indicated under recommended operating conditions is not implied. Exposure to absolute-maximum-rated conditions for extended periods may affect device reliability.

## 8.2 Handling Ratings

|                            |                         | MIN  | MAX | UNIT |
|----------------------------|-------------------------|--|-----|------|
| $T_{stg}$                  | Storage temperature     | -65  | 150 | °C   |
| $V_{(ESD)}$ <sup>(1)</sup> | Electrostatic discharge | Human body model (HBM), per ANSI/ESDA/JEDEC JS-001, all pins <sup>(2)</sup> , 100 pF, 1.5 kΩ |     | kV   |
|                            |                         | Charged device model (CDM), per JEDEC specification JESD22-C101, all pins <sup>(3)</sup>     |     | V    |

- (1) Electrostatic discharge (ESD) to measure device sensitivity and immunity to damage caused by assembly line electrostatic discharges in to the device.
- (2) JEDEC document JEP155 states that 500-V HBM allows safe manufacturing with a standard ESD control process.
- (3) JEDEC document JEP157 states that 250-V CDM allows safe manufacturing with a standard ESD control process.

## 8.3 Recommended Operating Conditions

over operating free-air temperature range (unless otherwise noted)

|             |                      | MIN | MAX | UNIT |
|-------------|----------------------|-----|-----|------|
| $V_{RECT}$  | RECT voltage range   | 4   | 10  | V    |
| $I_{OUT}$   | Output current       |     | 1   | A    |
| $I_{AD-EN}$ | Sink current         |     | 1   | mA   |
| $I_{COMM}$  | COMMx sink current   |     | 500 | mA   |
| $T_J$       | Junction temperature | 0   | 125 | °C   |

## 8.4 Thermal Information

| THERMAL METRIC <sup>(1)</sup> |   | bq51221       |  | UNIT |
|-------------------------------|---|---------------|--|------|
|                               |   | YFP (42 Pins) |  |      |
| $R_{\theta JA}$               | Junction-to-ambient thermal resistance <sup>(2)</sup>       | 49.7          |  | °C/W |
| $R_{\theta JC(top)}$          | Junction-to-case (top) thermal resistance <sup>(3)</sup>    | 0.2           |  |      |
| $R_{\theta JB}$               | Junction-to-board thermal resistance <sup>(4)</sup>         | 6.1           |  |      |
| $\Psi_{JT}$                   | Junction-to-top characterization parameter <sup>(5)</sup>   | 1.4           |  |      |
| $\Psi_{JB}$                   | Junction-to-board characterization parameter <sup>(6)</sup> | 6             |  |      |
| $R_{\theta JC(bot)}$          | Junction-to-case (bottom) thermal resistance <sup>(7)</sup> | N/A           |  |      |

- (1) For more information about traditional and new thermal metrics, see the *IC Package Thermal Metrics* application report, [SPRA953](#).
- (2) The junction-to-ambient thermal resistance under natural convection is obtained in a simulation on a JEDEC-standard, high-K board, as specified in JESD51-7, in an environment described in JESD51-2a.
- (3) The junction-to-case (top) thermal resistance is obtained by simulating a cold plate test on the package top. No specific JEDEC-standard test exists, but a close description can be found in the ANSI SEMI standard G30-88.
- (4) The junction-to-board thermal resistance is obtained by simulating in an environment with a ring cold plate fixture to control the PCB temperature, as described in JESD51-8.
- (5) The junction-to-top characterization parameter,  $\Psi_{JT}$ , estimates the junction temperature of a device in a real system and is extracted from the simulation data for obtaining  $R_{\theta JA}$ , using a procedure described in JESD51-2a (sections 6 and 7).
- (6) The junction-to-board characterization parameter,  $\Psi_{JB}$ , estimates the junction temperature of a device in a real system and is extracted from the simulation data for obtaining  $R_{\theta JA}$ , using a procedure described in JESD51-2a (sections 6 and 7).
- (7) The junction-to-case (bottom) thermal resistance is obtained by simulating a cold plate test on the exposed (power) pad. No specific JEDEC standard test exists, but a close description can be found in the ANSI SEMI standard G30-88.

## 8.5 Electrical Characteristics

 over operating free-air temperature range (unless otherwise noted),  $I_{LOAD} = I_{OUT}$ 

| PARAMETER                        |   | TEST CONDITIONS   | MIN              | TYP            | MAX           | UNIT       |
|----------------------------------|---|---|------------------|----------------|---------------|------------|
| $V_{UVLO}$                       | Undervoltage lockout  | $V_{RECT}$ : 0 to 3 V   |                  | 2.8            | 2.9           | V          |
| $V_{HYS-UVLO}$                   | Hysteresis on UVLO  | $V_{RECT}$ : 3 to 2 V   |                  | 393            |               | mV         |
| $V_{RECT-OVP}$                   | Input overvoltage threshold   | $V_{RECT}$ : 5 to 16 V  | 14.6             | 15.1           | 15.6          | V          |
| $V_{HYS-OVP}$                    | Hysteresis on OVP   | $V_{RECT}$ : 16 to 5 V  |                  | 1.5            |               | V          |
| $V_{RECT(REG)}$                  | Voltage at RECT pin set by communication with primary   |   | $V_{OUT} + 0.12$ |                | $V_{OUT} + 2$ | V          |
| $V_{RECT(TRACK)}$                | $V_{RECT}$ regulation above $V_{OUT}$   | $V_{ILIM} = 1.2 V$  |                  | 140            |               | mV         |
| $I_{LOAD-HYS}$                   | $I_{LOAD}$ hysteresis for dynamic $V_{RECT}$ thresholds as a % of $I_{ILIM}$                      | $I_{LOAD}$ falling  |                  | 4%             |               |            |
| $V_{RECT-DPM}$                   | Rectifier under voltage protection, restricts $I_{OUT}$ at $V_{RECT-DPM}$                         |   | 3                | 3.1            | 3.2           | V          |
| $V_{RECT-REV}$                   | Rectifier reverse voltage protection with a supply at the output                                  | $V_{RECT-REV} = V_{OUT} - V_{RECT}$ ; $V_{OUT} = 10 V$  |                  | 8.8            | 9.2           | V          |
| $I_{LPRB1-dis}$                  | Current at which $LPRB1$ is disabled  | $I_{OUT}$ 0 to 200 mA   |                  | 125            |               | mA         |
| $I_{LPRB2-dis}$                  | Current at which $LPRB2$ is disabled  | $I_{OUT}$ 0 to 400 mA   |                  | 322            |               | mA         |
| <b>QUIESCENT CURRENT</b>         |   |   |                  |                |               |            |
| $I_{OUT(standby)}$               | Quiescent current at the output when wireless power is disabled                                   | $V_{OUT} \leq 5 V$ , $0^\circ C \leq T_J \leq 85^\circ C$   |                  | 20             | 35            | $\mu A$    |
| <b>ILIM SHORT CIRCUIT</b>        |   |   |                  |                |               |            |
| $R_{ILIM-SHORT}$                 | Highest value of $R_{ILIM}$ resistor considered a fault (short). Monitored for $I_{OUT} > 100 mA$ | $R_{ILIM}$ : 200 to 50 $\Omega$ . $I_{OUT}$ latches off, cycle power to reset                           |                  | 215            | 230           | $\Omega$   |
| $t_{DGL-Short}$                  | Deglintch time transition from ILIM short to $I_{OUT}$ disable                                    |   |                  | 1              |               | ms         |
| $I_{LIM\_SC}$                    | $I_{LIM-SHORT,OK}$ enables the ILIM short comparator when $I_{OUT}$ is greater than this value    | $I_{LOAD}$ : 0 to 200 mA  | 110              | 125            | 140           | mA         |
| $I_{LIM-SHORT,OK}$<br>HYSTERESIS | Hysteresis for $I_{LIM-SHORT,OK}$ comparator  | $I_{LOAD}$ : 200 to 0 mA  |                  | 20             |               | mA         |
| $I_{OUT-CL}$                     | Maximum output current limit  | Maximum $I_{LOAD}$ that can be delivered for 1 ms when ILIM is shorted                                  |                  | 3.7            |               | A          |
| <b>OUTPUT</b>                    |   |   |                  |                |               |            |
| $V_{O\_REG}$                     | Feedback voltage set point  | $I_{LOAD} = 1000 mA$  | 0.495            | 0.5013         | 0.5075        | V          |
|                                  |   | $I_{LOAD} = 1 mA$   | 0.4951           | 0.5014         | 0.5076        |            |
| $K_{ILIM}$                       | Current programming factor for hardware short circuit protection                                  | $R_{ILIM} = K_{ILIM} / I_{ILIM}$ , where $I_{ILIM}$ is the hardware current limit<br>$I_{OUT} = 850 mA$ |                  | 842            |               | A $\Omega$ |
| $I_{OUT\_RANGE}$                 | Current limit programming range   |   |                  |                | 1500          | mA         |
| $I_{COMM}$                       | Output current limit during communication   | $I_{OUT} \geq 400 mA$   |                  | $I_{OUT} - 50$ |               | mA         |
|                                  |   | $100 mA \leq I_{OUT} < 400 mA$  |                  | $I_{OUT} + 50$ |               |            |
|                                  |   | $I_{OUT} < 100 mA$  |                  | None           |               |            |
| $t_{HOLD-OFF}$                   | Hold off time for the communication current limit during startup                                  |   |                  | 1              |               | s          |

## Electrical Characteristics (continued)

over operating free-air temperature range (unless otherwise noted),  $I_{LOAD} = I_{OUT}$ 

| PARAMETER   |   | TEST CONDITIONS  | MIN | TYP  | MAX  | UNIT     |
|---|---|--|-----|------|------|----------|
| <b>TS/CTRL</b>  |   |  |     |      |      |          |
| $V_{TS-Bias}$   | TS bias voltage (internal)  | $I_{TS-Bias} < 100 \mu A$ and communication is active (periodically driven, see $t_{TS/CTRL-Meas}$ ) |     | 1.8  |      | V        |
| $V_{CTRL-HI}$   | CTRL pin threshold for a high   | $V_{TS/CTRL}$ : 50 to 150 mV   | 90  | 105  | 120  | mV       |
| $T_{TS/CTRL-Meas}$  | Time period of TS/CTRL measurements, when TS is being driven  | TS bias voltage is only driven when power packets are sent   |     |      | 1700 | ms       |
| $V_{TS-HOT}$  | Voltage at TS pin when device shuts down  |  |     | 0.38 |      | V        |
| <b>THERMAL PROTECTION</b>                                 |   |  |     |      |      |          |
| $T_{J(OFF)}$  | Thermal shutdown temperature  |  |     | 155  |      | °C       |
| $T_{J(OFF-HYS)}$  | Thermal shutdown hysteresis   |  |     | 20   |      | °C       |
| <b>OUTPUT LOGIC LEVELS ON <math>\overline{WPG}</math></b> |   |  |     |      |      |          |
| $V_{OL}$  | Open drain $\overline{WPG}$ pin   | $I_{SINK} = 5 \text{ mA}$  |     |      | 550  | mV       |
| $I_{OFF,STAT}$  | $\overline{WPG}$ leakage current when disabled  | $V_{WPG} = 20 \text{ V}$   |     |      | 1    | $\mu A$  |
| <b>COMM PIN</b>   |   |  |     |      |      |          |
| $R_{DS-ON(COMM)}$   | COMM1 and COMM2   | $V_{RECT} = 2.6 \text{ V}$   |     | 1    |      | $\Omega$ |
| $f_{COMM}$  | Signaling frequency on COMMx pin for WPC  |  |     | 2.00 |      | Kb/s     |
| $I_{OFF,COMM}$  | COMMx pin leakage current   | $V_{COMM1} = 20 \text{ V}$ , $V_{COMM2} = 20 \text{ V}$  |     |      | 1    | $\mu A$  |
| <b>CLAMP PIN</b>  |   |  |     |      |      |          |
| $R_{DS-ON(CLAMP)}$  | CLAMP1 and CLAMP2   |  |     | 0.5  |      | $\Omega$ |
| <b>ADAPTER ENABLE</b>                                     |   |  |     |      |      |          |
| $V_{AD-EN}$   | $V_{AD}$ rising threshold voltage   | $V_{AD} 0 \text{ V to } 5 \text{ V}$   | 3.5 | 3.6  | 3.8  | V        |
| $V_{AD-EN-HYS}$   | $V_{AD-EN}$ hysteresis  | $V_{AD} 5 \text{ V to } 0 \text{ V}$   |     | 450  |      | mV       |
| $I_{AD}$  | Input leakage current   | $V_{RECT} = 0 \text{ V}$ , $V_{AD} = 5 \text{ V}$  |     |      | 50   | $\mu A$  |
| $R_{AD-EN-OUT}$   | Pullup resistance from $\overline{AD-EN}$ to OUT when adapter mode is disabled and $V_{OUT} > V_{AD}$ | $V_{AD} = 0 \text{ V}$ , $V_{OUT} = 5 \text{ V}$   |     | 230  | 350  | $\Omega$ |
| $V_{AD-EN-ON}$  | Voltage difference between $V_{AD}$ and $V_{AD-EN}$ when adapter mode is enabled                      | $V_{AD} = 5 \text{ V}$ , $0^\circ C \leq T_J \leq 85^\circ C$  | 4   | 4.5  | 5    | V        |
|   |   | $V_{AD} = 9 \text{ V}$ , $0^\circ C \leq T_J \leq 85^\circ C$  | 3   | 6    | 7    | V        |
| <b>SYNCHRONOUS RECTIFIER</b>                              |   |  |     |      |      |          |
| $I_{SYNC-EN}$   | $I_{OUT}$ at which the synchronous rectifier enters half synchronous mode                             | $I_{OUT}$ : 200 mA to 0 mA   |     | 100  |      | mA       |
| $I_{SYNC-EN-HYST}$  | Hysteresis for $I_{OUT,RECT-EN}$ (full-synchronous mode enabled)                                      | $I_{OUT}$ 0 mA to 200 mA   |     | 40   |      | mA       |
| $V_{HS-DIODE}$  | High-side diode drop when the rectifier is in half synchronous mode                                   | $I_{AC-VRECT} = 250 \text{ mA}$ , and $T_J = 25^\circ C$   |     | 0.7  |      | V        |
| <b>I<sup>2</sup>C</b>                                     |   |  |     |      |      |          |
| $V_{IL}$  | Input low threshold level SDA   | $V(PULLUP) = 1.8 \text{ V}$ , SDA  |     |      | 0.4  | V        |
| $V_{IH}$  | Input high threshold level SDA  | $V(PULLUP) = 1.8 \text{ V}$ , SDA  | 1.4 |      |      | V        |
| $V_{IL}$  | Input low threshold level SCL   | $V(PULLUP) = 1.8 \text{ V}$ , SCL  |     |      | 0.4  | V        |
| $V_{IH}$  | Input high threshold level SCL  | $V(PULLUP) = 1.8 \text{ V}$ , SCL  | 1.4 |      |      | V        |
| $I^2C$ speed  |   | Typical  |     | 100  |      | kHz      |

## 8.6 Typical Characteristics

Temperature = 25°C (unless otherwise noted)

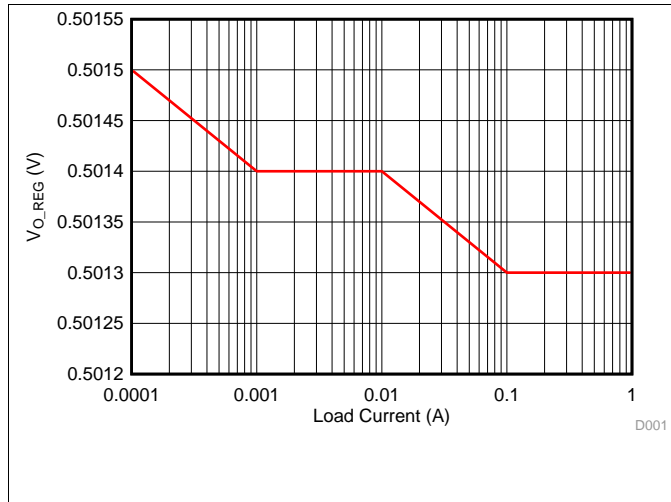


Figure 1. Output Voltage Feedback as a Function of Load

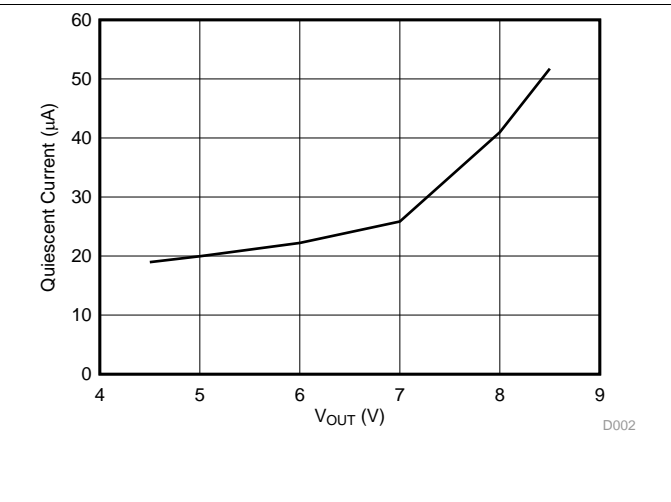


Figure 2. Quiescent Current as a Function of Output Voltage

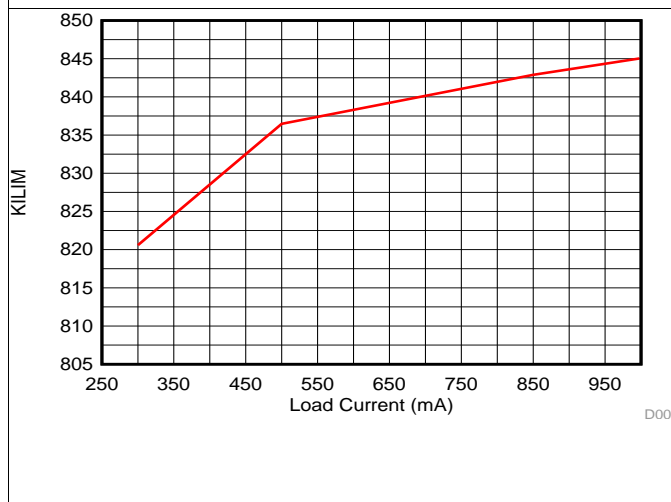


Figure 3. K<sub>ILIM</sub> as a Function of Load Current

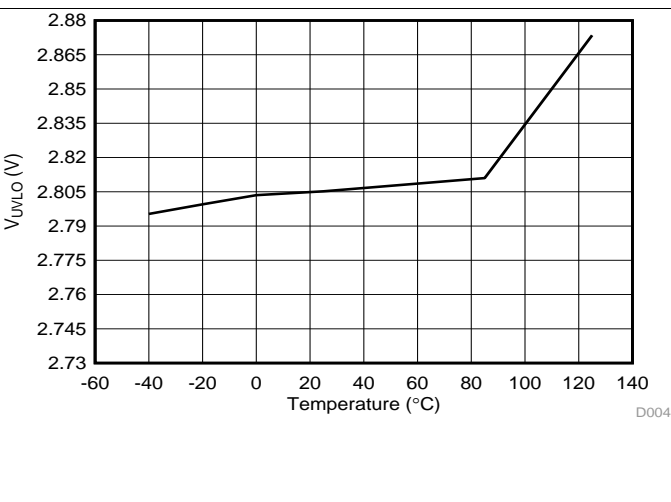


Figure 4. V<sub>UVLO</sub> as a Function of Junction Temperature

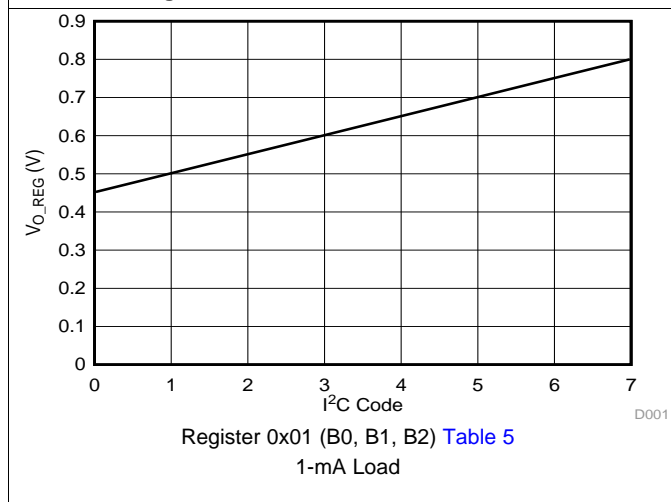


Figure 5. Register 0x01 control of V<sub>O\_REG</sub>

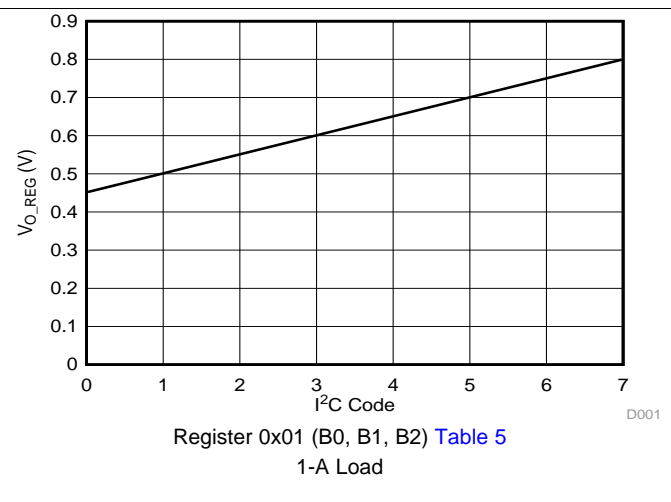


Figure 6. Register 0x01 control of V<sub>O\_REG</sub>

## 9 Detailed Description

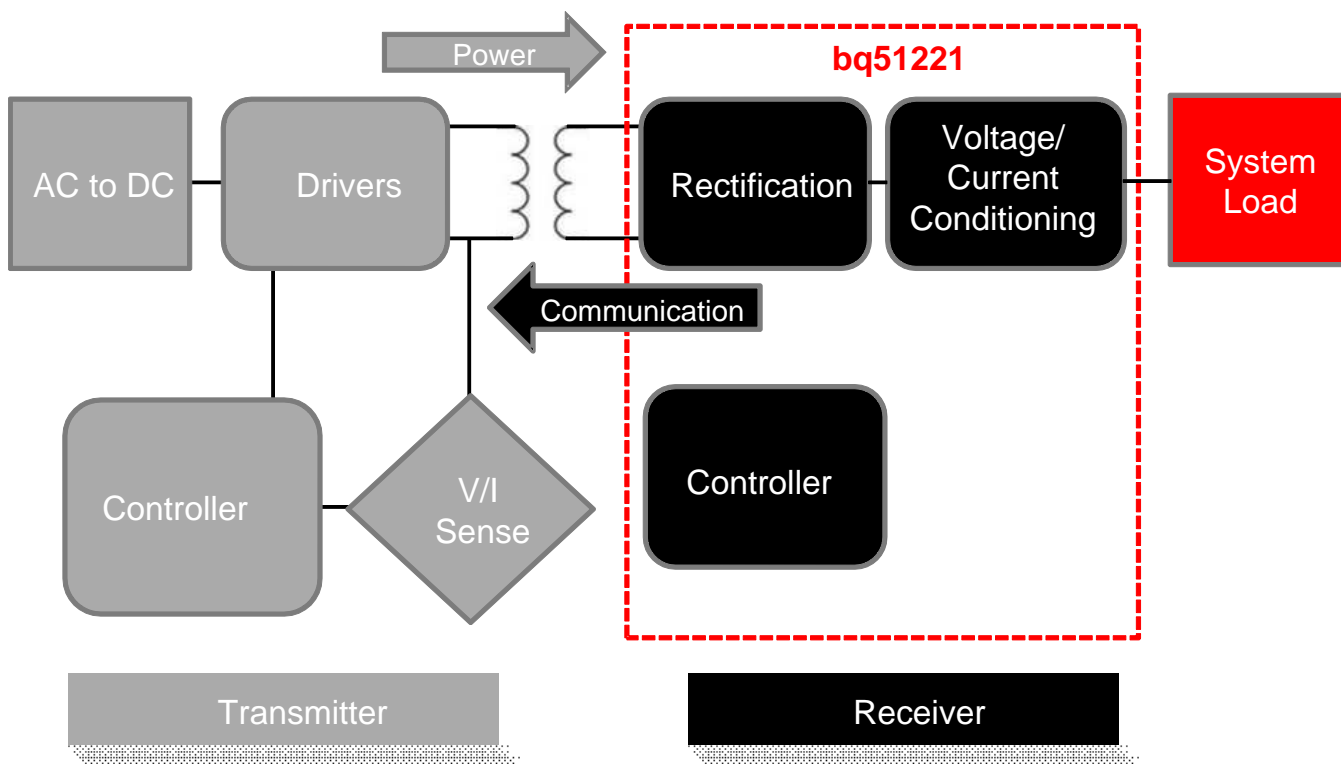
### 9.1 Overview

Both WPC and PMA wireless power systems consist of a charging pad (primary, transmitter) and the secondary-side equipment (receiver). There are coils in the charging pad and secondary equipment, which magnetically couple to each other when the receiver is placed on the transmitter. Power is transferred from the primary to the secondary by transformer action between the coils. The receiver can achieve control over the amount of power transferred by getting the transmitter to change the field strength by changing the frequency, or duty cycle, or voltage rail energizing the primary coil.

The receiver equipment communicates with the primary by modulating the load seen by the primary. This load modulation results in a change in the primary coil current or primary coil voltage, or both, which is measured and demodulated by the transmitter.

In WPC, the system communication is digital — packets that are transferred from the secondary to the primary. Differential bi-phase encoding is used for the packets. The bit rate is 2 kb/s. Various types of communication packets are defined. These include identification and authentication packets, error packets, control packets, power usage packets, and end power transfer packets, among others.

A PMA-compliant receiver communicates based on continuous transmission of signals from the receiver to the transmitter. The PMA specification defines six different communications symbols. These are increment (INC), decrement (DEC), no change (NoCh), end of charge (EOC), MsgBit, and a symbol for future use. Each PMA receiver has a unique PMA RXID, which is a 6-byte unique message that is sent to the PMA TX at startup.



**Figure 7. Dual Mode Wireless Power System Indicating the Functional Integration of the bq51221 Family**

The bq51221 device integrates fully-compliant WPC v1.1 and PMA communication protocols in order to streamline the dual mode receiver designs (no extra software development required). Other unique algorithms such as *Dynamic Rectifier Control* are integrated to provide best-in-class system efficiency while keeping the smallest solution size of the industry.

## Overview (continued)

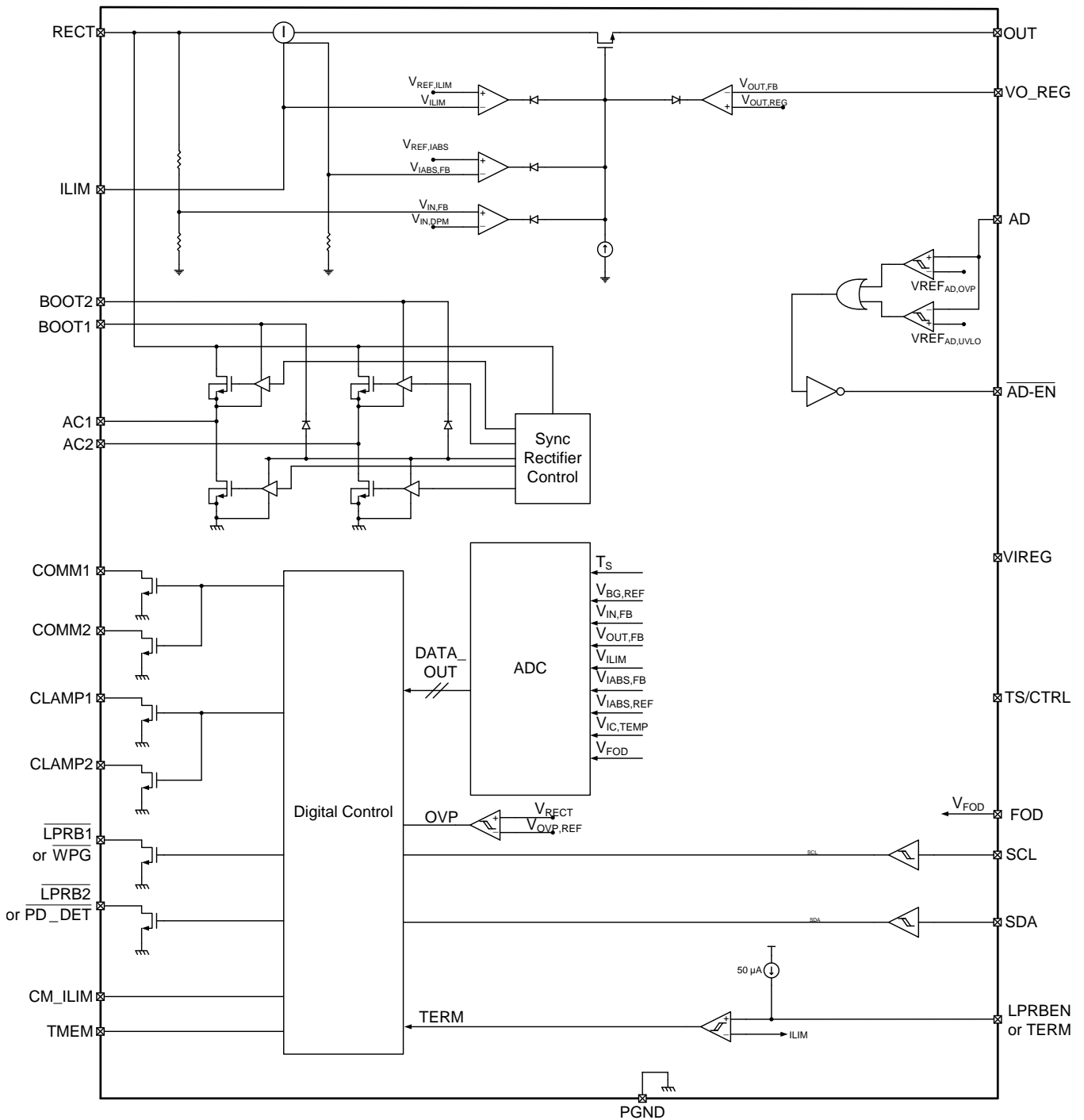
As a WPC system, when the receiver shown in [Figure 7](#) is placed on the charging pad, the secondary coil couples to the magnetic flux generated by the coil in the transmitter, which consequently induces a voltage in the secondary coil. The internal synchronous rectifier feeds this voltage to the RECT pin, which in turn feeds the LDO which feeds the output.

The bq51221 device identifies and authenticates itself to the primary using the COMMx pins, switching on and off the COMM FETs, and hence switching in and out COMM capacitors. If the authentication is successful, the primary remains powered-up. The bq51221 device measures the voltage at the RECT pin, calculates the difference between the actual voltage and the desired voltage  $V_{RECT(REG)}$ , and sends back error packets to the transmitter. This process goes on until the input voltage settles at  $V_{RECT(REG) MAX}$ . During a load change, the dynamic rectifier algorithm sets the targets specified by targets between  $V_{RECT(REG) MAX}$  and  $V_{RECT(REG) MIN}$  shown in [Table 1](#). This algorithm enhances the transient response of the power supply.

After the voltage at the RECT pin is at the desired value, a pass FET is enabled. The voltage control loop ensures that the output voltage is maintained at  $V_{OUT(REG)}$ , powering the downstream charger. The bq51221 device meanwhile continues to monitor the input voltage, and keeps sending control error packets (CEP) to the primary on average every 250 ms. If a large transient occurs, the feedback to the primary speeds up to 32-ms communication periods to converge on an operating point in less time.

If the receiver shown in [Figure 7](#) is used with a PMA transmitter, the bq51221 device identifies itself to the PMA transmitter using the COMMx pins. If sufficient power is delivered to the bq51221 device to wake up the device, it responds by modulating the power signal according to the PMA communication protocol. Prior to enabling the output, the bq51221 device transmits an RXID message. This is a unique identification message that is controlled through an IEEE sanctioned database and every bq51221 device comes programmed with its own unique RXID that can be read back using I<sup>2</sup>C. Please see I<sup>2</sup>C register map in [Register Maps](#) for details on the location of the RXID. The bq51221 device then monitors the voltage at the RECT pin. If there is a difference between the actual voltage and the desired voltage  $V_{RECT(REG)}$ , the device sends a PMA DEC or PMA INC signal to the PMA transmitter to control the RECT voltage to be within the desired window. The receiver regulates  $V_{RECT}$  to a desired window of operation shown in [Figure 15](#).

## 9.2 Functional Block Diagram



## 9.3 Feature Description

### 9.3.1 Dynamic Rectifier Control

#### WPC Mode Only

The *Dynamic Rectifier Control* algorithm offers the end system designer optimal transient response for a given maximum output current setting. This is achieved by providing enough voltage headroom across the internal regulator (LDO) at light loads in order to maintain regulation during a load transient. The WPC system has a relatively slow global feedback loop where it can take up to 150 ms to converge on a new rectifier voltage target. Therefore, a transient response is dependent on the loosely coupled transformer's output impedance profile. The Dynamic Rectifier Control allows for a 1.5-V change in rectified voltage before the transient response is observed at the output of the internal regulator (output of the bq51221 device). A 1-A application allows up to a 2-Ω output impedance. The *Dynamic Rectifier Control* behavior is illustrated in [Figure 13](#) where  $R_{ILIM}$  is set to 680 Ω.

### 9.3.2 Dynamic Power Scaling

#### WPC Mode Only

The *Dynamic Power Scaling* feature allows for the loss characteristics of the bq51221 device to be scaled based on the maximum expected output power in the end application. This effectively optimizes the efficiency for each application. This feature is achieved by scaling the loss of the internal LDO based on a percentage of the maximum output current. Note that the maximum output current is set by the  $K_{ILIM}$  term and the  $R_{ILIM}$  resistance (where  $R_{ILIM} = K_{ILIM} / I_{ILIM}$ ). The flow diagram in [Figure 13](#) shows how the rectifier is dynamically controlled (*Dynamic Rectifier Control*) based on a fixed percentage of the  $I_{ILIM}$  setting. [Table 1](#) summarizes how the rectifier behavior is dynamically adjusted based on two different  $R_{ILIM}$  settings. The table is shown for  $I_{MAX}$ , which is typically lower than  $I_{ILIM}$  (about 20% lower). See [RILIM Calculations](#) for more details.

**Table 1. Dynamic Rectifier Regulation**

| Output Current Percentage | $R_{ILIM} = 1400 \Omega$<br>$I_{MAX} = 0.5 \text{ A}$ | $R_{ILIM} = 700 \Omega$<br>$I_{MAX} = 1.0 \text{ A}$ | VRECT            |
|---------------------------|---|--|------------------|
| 0 to 10%                  | 0 to 0.05 A   | 0 to 0.1 A   | $V_{OUT} + 2$    |
| 10 to 20%                 | 0.05 to 0.1 A   | 0.1 to 0.2 A   | $V_{OUT} + 1.68$ |
| 20 to 40%                 | 0.1 to 0.2 A  | 0.2 to 0.4 A   | $V_{OUT} + 0.56$ |
| >40%                      | >0.2 A  | >0.4 A   | $V_{OUT} + 0.12$ |

[Dynamic Rectifier Control](#) shows the shift in the dynamic rectifier control behavior based on the two different  $R_{ILIM}$  settings. With the rectifier voltage ( $V_{RECT}$ ) being the input to the internal LDO, this adjustment in the *Dynamic Rectifier Control* thresholds dynamically adjusts the power dissipation across the LDO where,

$$P_{DIS} = (V_{RECT} - V_{OUT}) \cdot I_{OUT} \quad (1)$$

[Figure 26](#) shows how the system efficiency is improved due to the *Dynamic Power Scaling* feature. Note that this feature balances efficiency with optimal system transient response.

### 9.3.3 VO\_REG and VIREG Calculations

#### WPC and PMA Modes

The bq51221 device allows the designer to set the output voltage by setting a feedback resistor divider network from the OUT pin to the VO\_REG pin as seen in Figure 8. The resistor divider network should be chosen so that the voltage at the VO\_REG pin is 0.5 V at the desired output voltage. This applies to the default I<sup>2</sup>C code for VO\_REG shown in I<sup>2</sup>C register 0x01 shown in Table 5 (Bits B0, B1, B2).

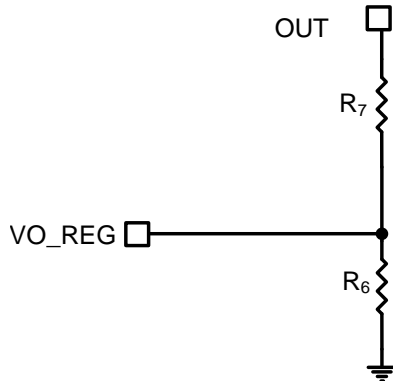


Figure 8. VO\_REG Network

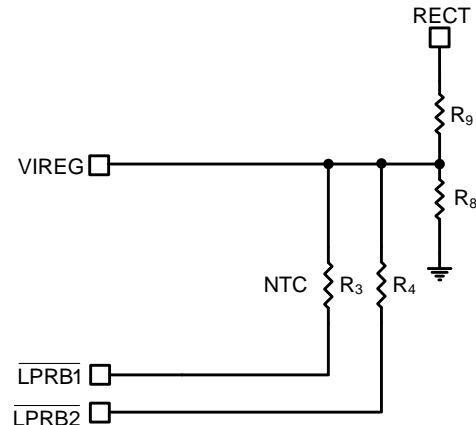


Figure 9. VIREG Network (For PMA)

Choose the desired output voltage  $V_{OUT}$  and  $R_6$ :

$$K_{VO} = \frac{0.5 \text{ V}}{V_{OUT}} \quad (2)$$

$$R_6 = \frac{K_{VO} \times R_7}{1 - K_{VO}} \quad (3)$$

After  $R_6$  and  $R_7$  are chosen, the same divider network is attached to VIREG pin from RECT to GND, as shown in Figure 9.  $R_9 = R_7$  and  $R_8 = R_6$

$\overline{\text{LPRB1}}$  and  $\overline{\text{LPRB2}}$  are two additional pins that are used to implement a back cover solution and are used for PMA (see Figure 41). In a back cover solution where the system designer cannot depend on the characteristics of the downstream charger in the phone, these pins can be used to boost the rectifier at a lower power (Low Power Rectifier Boost), so that the system is able to survive a load transient from 0 mA to the maximum current by boosting the rectifier during low power output that the system is designed for. See resistor calculations for  $\overline{\text{LPRB1}}$  and  $\overline{\text{LPRB2}}$  in the bq51221 web page "Tools & software" tab. The Excel file not only provides how to calculate the LPRB resistor values but also assists with other calculations. The Excel file can be accessed at [www.ti.com/product/bq51221/toolssoftware](http://www.ti.com/product/bq51221/toolssoftware).

Table 2. LPRB Condition Table

| $I_{OUT}$                            | $\overline{\text{LPRB1}}$ | $\overline{\text{LPRB2}}$ |
|--------------------------------------|---------------------------|---------------------------|
| 0 mA < $I_{OUT}$ < 100 mA            | ON                        | ON                        |
| 100 mA < $I_{OUT}$ < 350 mA          | OFF                       | ON                        |
| 350 mA < $I_{OUT}$ < Maximum current | OFF                       | OFF                       |

The  $\overline{\text{LPRB1}}$  and  $\overline{\text{LPRB2}}$  resistors can be omitted in an embedded solution where the system designer is in control of the voltage at which the downstream charger can regulate the input current to prevent the input from collapsing in a load transient (VIN-DPM). The functionality of  $\overline{\text{LPRB1}}$  and  $\overline{\text{LPRB2}}$  can be reverted to  $\overline{\text{WPG}}$  and  $\overline{\text{PD\_DET}}$  by not populating the TERM resistor. In this case, the host enables the charge complete on the TS/CTRL pin by pulling this pin high.

For the back cover solution, the TERM resistor is populated and this enables  $\overline{\text{LPRB1}}$  and  $\overline{\text{LPRB2}}$  functionality. The functionality can be seen in Table 2.

### 9.3.4 RILIM Calculations

#### WPC and PMA Modes

The bq51221 device includes a means of providing hardware overcurrent protection ( $I_{ILIM}$ ) through an analog current regulation loop. The hardware current limit provides an extra level of safety by clamping the maximum allowable output current (for example, current compliance). The  $R_{ILIM}$  resistor size also sets the thresholds for the dynamic rectifier levels providing efficiency tuning per each application's maximum system current. The calculation for the total  $R_{ILIM}$  resistance is as follows:

$$R_{ILIM} = K_{ILIM} / I_{ILIM} \quad (4)$$

$$R_1 = R_{ILIM} - R_{FOD} \quad (5)$$

$R_{ILIM}$  allows for the ILIM pin to reach 1.2 V at an output current equal to  $I_{ILIM}$ . When choosing  $R_{ILIM}$ , two options are possible.

If the user's application requires an output current equal to or greater than the external  $I_{ILIM}$  that the circuit is designed for (input current limit on the charger where the receiver device is tied higher than the external  $I_{ILIM}$ ), ensure that the downstream charger is capable of regulating the voltage of the input into which the receiver device output is tied to by lowering the amount of current being drawn. This ensures that the receiver output does not drop to 0 V. Such behavior is referred to as Dynamic Power Management (VIN-DPM) in TI chargers. Unless such behavior is enabled on the charger, the charger will pull the output of the receiver device to ground when the receiver device enters current regulation. If the user's applications are designed to extract less than the  $I_{ILIM}$  (1-A maximum), typical designs should leave a design margin of at least 10%, so that the voltage at ILIM pin reaches 1.2 V when 10% more than maximum current is drawn from the output. Such a design would have input current limit on the charger lower than the external ILIM of the receiver device. In both cases however, the charger must be capable of regulating the current drawn from the device to allow the output voltage to stay at a reasonable value. This same behavior is also necessary during the WPC communication. The following calculations show how such a design is achieved:

$$R_{ILIM} = K_{ILIM} / (1.1 \times I_{ILIM}) \quad (6)$$

$$R_1 = R_{ILIM} - R_{FOD}$$

$$\text{where } I_{LIM} \text{ is the hardware current limit} \quad (7)$$

When referring to the application diagram shown in [Typical Applications](#),  $R_{ILIM}$  is the sum of the  $R_1$  and  $R_{FOD}$  resistance (that is, the total resistance from the ILIM pin to GND).  $R_{FOD}$  is chosen according to the application. The tool for calculating  $R_{FOD}$  can be obtained by contacting your TI representative. Use  $R_{FOD}$  to allow the receiver implementation to comply with WPC v1.1 requirements related to received power accuracy.

### 9.3.5 Adapter Enable Functionality

#### WPC and PMA Modes

The bq51221 device can also help manage the multiplexing of adapter power to the output and can shut off the TX when the adapter is plugged in and is above the  $V_{AD-EN}$ . After the adapter is plugged in and the output turns off, the RX device sends an EOC to the TX. In this case, the  $\overline{AD\_EN}$  pins are then pulled to approximately 4 V below AD, which allows the device turn on the back-to-back PMOS connected between AD and OUT ([Figure 40](#)).

Both the AD and  $\overline{AD-EN}$  pins are rated at 30 V, while the OUT pin is rated at 20 V. It must also be noted that it is required to connect a back-to-back PMOS between AD and OUT so that voltage is blocked in both directions. Also, when AD mode is enabled, no load can be pulled from the RECT pin as this could cause an internal device overvoltage in the bq51221 device.

### 9.3.6 Turning Off the Transmitter

#### WPC and PMA Modes

Both specifications allow the receiver to turn off the transmitter and put the system in a low-power standby mode. There are two different ways to accomplish this with the bq51221 device. In both modes, the EPT charge complete (WPC) or end of charge (PMA) can be sent to the TX by pulling the TS pin high (above 1.4 V). The bq51221 device will then sense this and send the appropriate signal to the TX, thus putting the TX in a low power standby mode.

### 9.3.6.1 WPC End Power Transfer (EPT)

The WPC allows for a special command to terminate power transfer from the TX termed EPT packet. The v1.1 specifies the following reasons and their responding data field value in [Table 3](#).

**Table 3. End Power Transfer Codes in WPC**

| Reason           | Value | Condition <sup>(1)</sup>   |
|------------------|-------|--|
| Unknown          | 0x00  | AD > 3.6 V   |
| Charge Complete  | 0x01  | TS/CTRL = 1  |
| Internal Fault   | 0x02  | $T_J > 150^{\circ}\text{C}$ or $R_{ILIM} < 215 \Omega$           |
| Over Temperature | 0x03  | $TS < V_{TS-HOT}$ , or $TS/CTRL < 100 \text{ mV}$ <sup>(2)</sup> |
| Over Voltage     | 0x04  | $V_{RECT}$ target does not converge <sup>(3)</sup>               |
| Over Current     | 0x05  | Not sent   |
| Battery Failure  | 0x06  | Not sent   |
| Reconfigure      | 0x07  | Not sent   |
| No Response      | 0x08  | Not sent   |

- (1) The *Condition* column corresponds to the case where the bq51221 device will send the WPC EPT command.
- (2) The  $TS < V_{TS-HOT}$  condition refers to using an external thermistor for temperature control. The  $TS/CTRL < 100 \text{ mV}$  condition refers to driving the TS/CTRL pin from an external GPIO.
- (3) If the voltage on the RECT pin does not reach the required value (typically 8 V) within 64 error packets during startup (weak coil coupling), the receiver sends EPT-OV and the transmitter will shut off.

### 9.3.6.2 PMA EOC

PMA EOC is a state where the bq51221 device disables the output and sends EOC frequency to terminate the power transfer on a PMA transmitter. This can be done by setting the TERM pin resistor so that the voltage on the TERM pin is higher than the ILIM pin at the desired termination current. This TERM resistor method of sending the EOC to the transmitter only works with PMA TX. After the TERM resistor is populated, it also changes the behavior of the LPRBx pins. Check the section on LPRBx resistors for more information. Another way to send an EOC to the PMA TX is to pull the TS pin above 1.4 V through an external pullup.

### 9.3.7 CM\_ILIM

#### WPC Mode Only

Communication current limit is a feature that allows for error free communication to happen between the RX and TX in the WPC mode. This is done by decoupling the coil from the load transients by limiting the output current during communication with the TX. The communication current limit is set according to [Table 4](#). The communication current limit can be disabled by pulling CM\_ILIM pin high (> 1.4 V) or enabled by pulling the CM\_ILIM pin low. There is an internal pulldown that enables communication current limit when the CM\_ILIM pin is left floating.

**Table 4. Communication Current Limit Table**

| $I_{OUT}$                                       | Communication Current Limit |
|---|-----------------------------|
| $0 \text{ mA} < I_{OUT} < 100 \text{ mA}$       | None                        |
| $100 \text{ mA} < I_{OUT} < 400 \text{ mA}$     | $I_{OUT} + 50 \text{ mA}$   |
| $400 \text{ mA} < I_{OUT} < \text{Max current}$ | $I_{OUT} - 50 \text{ mA}$   |

When the communication current limit is enabled, the amount of current that the load can draw is limited. If the charger in the system does not have a VIN-DPM feature, the output of the receiver will collapse if communication current limit is enabled. In order to disable Communication Current Limit, pull CM\_ILIM pin high.

### 9.3.8 $\overline{\text{PD\_DET}}$ and TMEM

$\overline{\text{PD\_DET}}$  is only available in WPC mode. This is an open-drain pin that goes low based on the voltage of the TMEM pin. When the voltage of TMEM is higher than 1.6 V,  $\overline{\text{PD\_DET}}$  will be low. The voltage on the TMEM pin depends on capturing the energy from the digital ping from the transmitter and storing it on the  $C_5$  capacitor in Figure 10. After the receiver sends an EPT (charge complete), the transmitter shuts down and goes into a low-power mode. However, it will continue to check if the receiver would like to renegotiate a power transfer by periodically performing the digital ping. The energy from the digital ping can be stored on the TMEM pin until the next digital ping refreshes the capacitor. A bleedoff resistor  $R_{\text{MEM}}$  can be chosen in parallel with  $C_5$  that sets the time constant so that the TMEM pin will fall below 1.6 V once the next ping timer expires. The duration between digital pings is indeterminate and depends on each transmitter manufacturer.

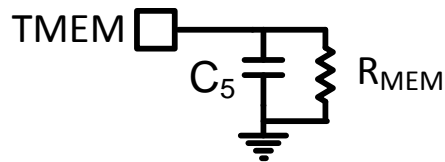


Figure 10. TMEM Configuration

Set capacitor on  $C_5 = \text{TMEM}$  to 2.2  $\mu\text{F}$ . Resistor  $R_{\text{MEM}}$  across  $C_5$  can be set by understanding the duration between digital pings ( $t_{\text{ping}}$ ). Set the resistor such that:

$$R_{\text{MEM}} = \frac{t_{\text{ping}}}{C_5} \quad (8)$$

### 9.3.9 TS, Both WPC and PMA

The bq51221 device includes a ratio metric external temperature sense function. The temperature sense function has a low ratio metric threshold which represents a hot condition. TI recommends an external temperature sensor in order to provide safe operating conditions for the receiver product. This pin is best used for monitoring the surface that can be exposed to the end user (for example, place the negative temperature coefficient (NTC) resistor closest to the user touch point on the back cover). A resistor in series or parallel can be inserted to adjust the NTC to match the trip point of the device. The implementation in Figure 11 shows the series-parallel resistor implementation for setting the threshold at which  $V_{\text{TS-HOT}}$  is reached. Once  $V_{\text{TS-HOT}}$  is reached, the device will send an EPT – overtemperature signal for a WPC transmitter or an EOC signal to a PMA transmitter depending on the mode the device is operating in. An Excel tool to assist with defining the correct resistor values is available on the bq51221 web folder under 'Tools & Software'. The Excel file can be found at [www.ti.com/product/bq51221/toolssoftware](http://www.ti.com/product/bq51221/toolssoftware).

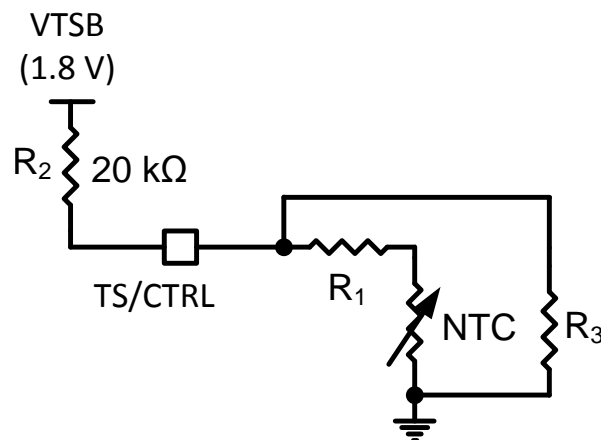


Figure 11. NTC Resistor Setup

Figure 11 shows a parallel resistor setup that can be used to adjust the trip point of  $V_{TS-HOT}$ . After the NTC is chosen and  $R_{NTCHOT}$  at  $V_{TS-HOT}$  is determined from the data sheet of the NTC, Equation 9 can be used to calculate  $R_1$  and  $R_3$ . In many cases depending on the NTC resistor,  $R_1$  or  $R_3$  can be omitted. When calculating  $V_{TS-HOT}$ , omit  $R_1$  by setting it to  $0 \Omega$ , and omit  $R_3$  by setting it to  $10 M\Omega$ .

$$V_{TS-HOT} = 1.8 \text{ V} \times \frac{(R_{NTCHOT} + R_1) \times R_3 \div ((R_{NTCHOT} + R_1) + R_3)}{(R_{NTCHOT} + R_1) \times R_3 \div ((R_{NTCHOT} + R_1) + R_3) + R_2} \quad (9)$$

### 9.3.10 I<sup>2</sup>C Communication

#### WPC and PMA Modes

The bq51221 device allows for I<sup>2</sup>C communication with the internal CPU. In case the I<sup>2</sup>C is not used, ground SCL and SDA. See [Register Maps](#) for more information.

### 9.3.11 Input Overvoltage

#### WPC and PMA Modes

If the input voltage suddenly increases in potential for some condition (for example a change in position of the equipment on the charging pad), the voltage-control loop inside the bq51221 device becomes active, and prevents the output from going beyond  $V_{OUT(REG)}$ . The receiver then starts sending back error packets every 30 ms until the input voltage comes back to an acceptable level, and then maintains the error communication every 250 ms.

If the input voltage increases in potential beyond  $V_{RECT-OVP}$ , the device switches off the LDO and informs the primary to bring the voltage back to  $V_{RECT(REG)}$ . In addition, a proprietary voltage protection circuit is activated by means of  $C_{CLAMP1}$  and  $C_{CLAMP2}$  that protects the device from voltages beyond the maximum rating of the device.

### 9.4 Device Functional Modes

In WPC mode, at startup operation, the bq51221 device must comply with proper handshaking in order to be granted a power contract from the WPC transmitter. The transmitter initiates the handshake by providing an extended digital ping after analog ping detects an object on the transmitter surface. If a receiver is present on the transmitter surface, the receiver then provides the signal strength, configuration, and identification packets to the transmitter (see volume 1 of the WPC specification for details on each packet). These are the first three packets sent to the transmitter. The only exception is if there is a true shutdown condition on the AD, or TS/CTRL pins where the receiver shuts down the transmitter immediately. See Table 3 for details. After the transmitter has successfully received the signal strength, configuration, and identification packets, the receiver is granted a power contract and is then allowed to control the operating point of the power transfer. With the use of the bq51221 device *Dynamic Rectifier Control* algorithm, the receiver will inform the transmitter to adjust the rectifier voltage above 8 V prior to enabling the output supply. This method enhances the transient performance during system startup. For the startup flow diagram details, see Figure 12.

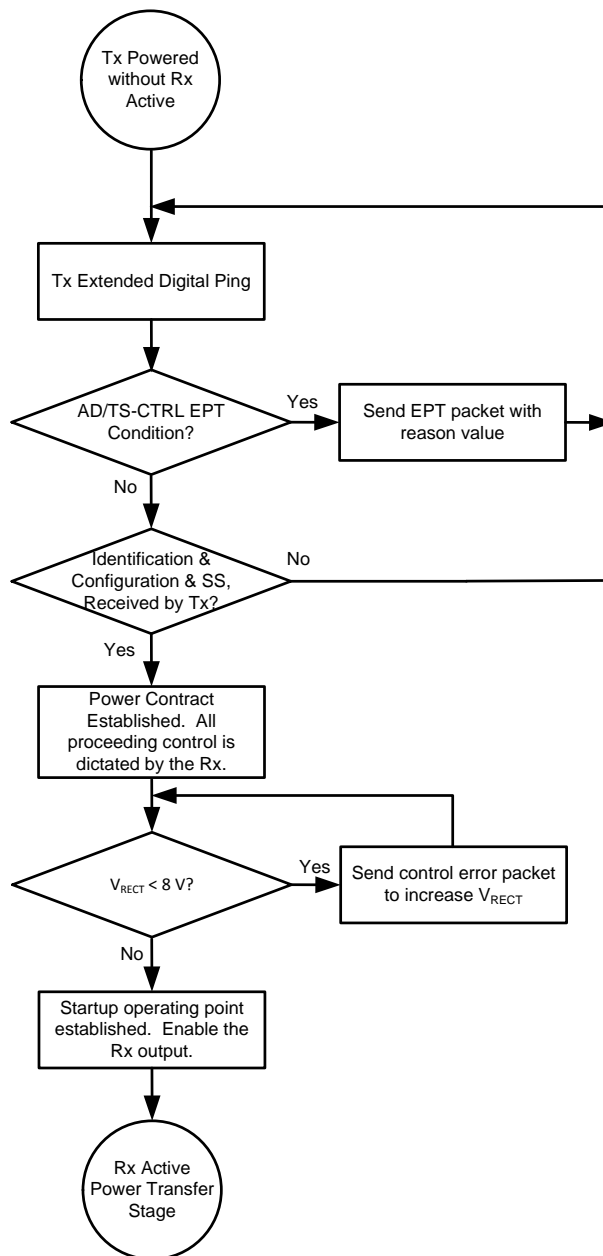
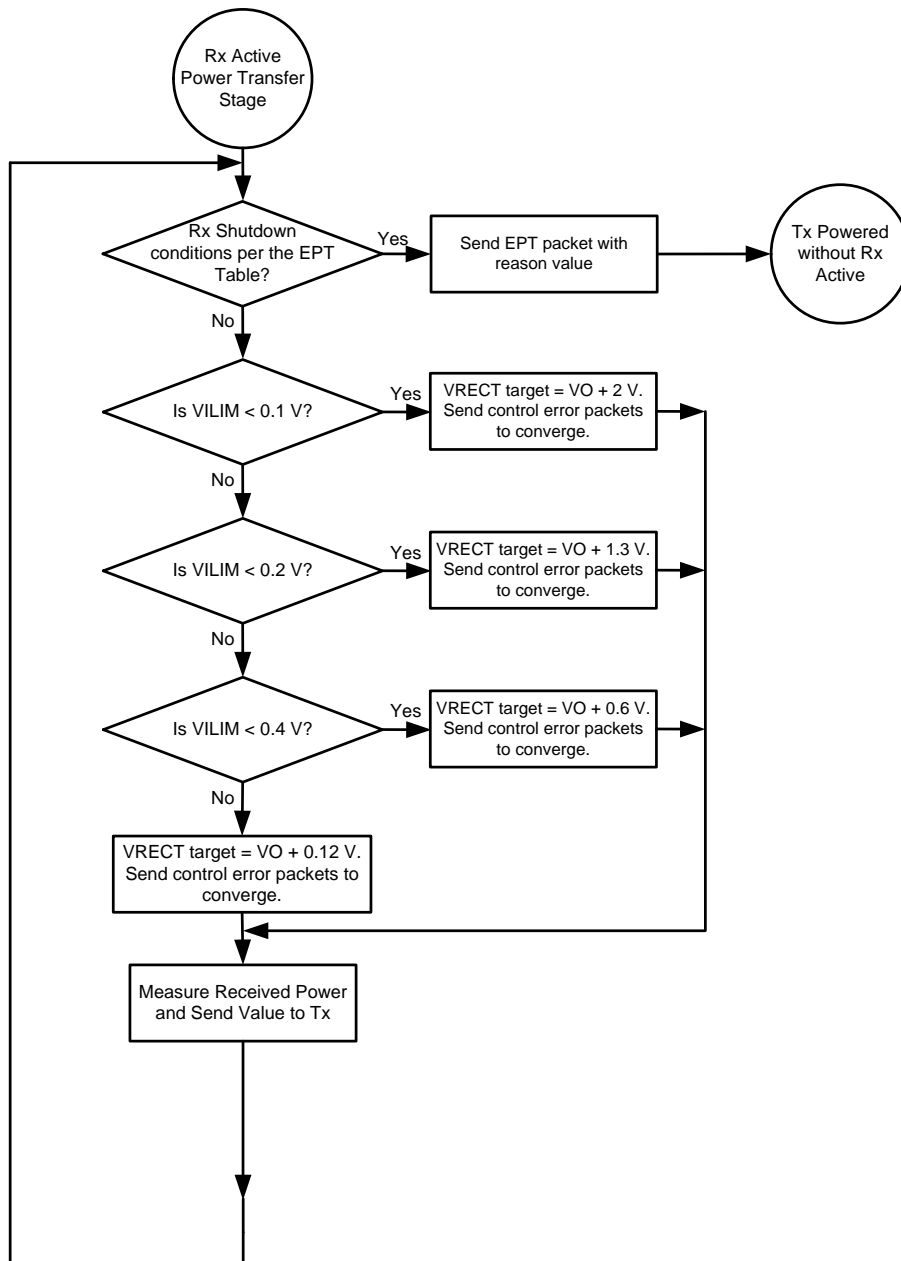


Figure 12. Wireless Power Startup Flow Diagram on WPC TX

**Device Functional Modes (continued)**

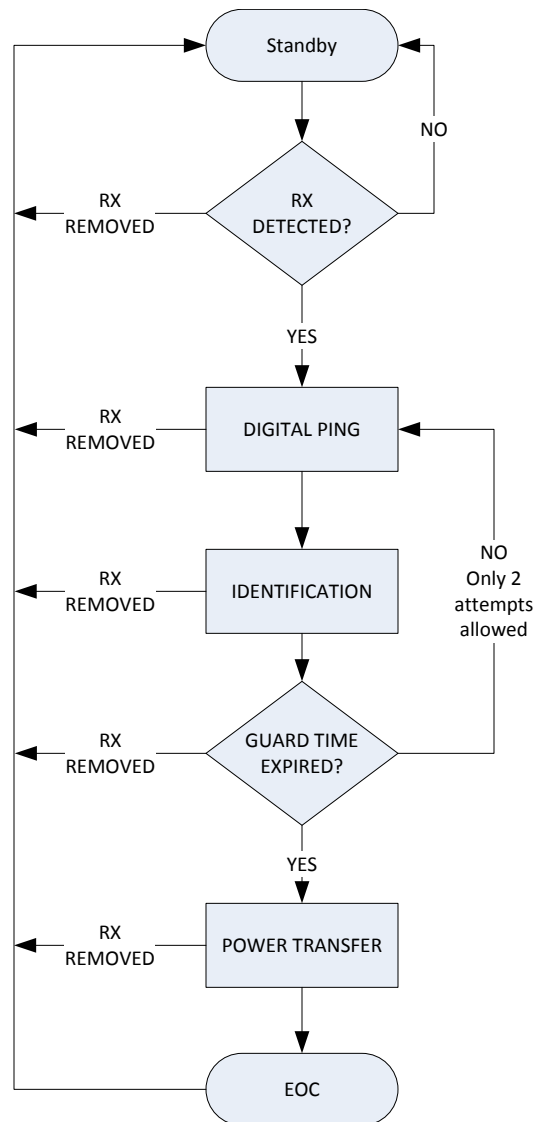
After the startup procedure has been established, the receiver will enter the active power transfer stage. This is considered the main loop of operation. The *Dynamic Rectifier Control* algorithm determines the rectifier voltage target based on a percentage of the maximum output current level setting (set by  $K_{ILIM}$  and the  $R_{ILIM}$ ). The receiver will send control error packets in order to converge on these targets. As the output current changes, the rectifier voltage target dynamically changes. As a note, the feedback loop of the WPC system is relatively slow, it can take up to 150 ms to converge on a new rectifier voltage target. It should be understood that the instantaneous transient response of the system is open loop and dependent on the receiver coil output impedance at that operating point. The main loop also determines if any conditions in Table 3 are true in order to discontinue power transfer. Figure 13 shows the active power transfer loop.



**Figure 13. Active Power Transfer Flow Diagram on WPC TX**

## Device Functional Modes (continued)

In PMA mode, during startup operation, PMA transmitter generates a digital ping in a predefined structure regarding the frequencies and timing. If the power delivered during the digital ping is sufficient to wake up the bq51221 device, it responds by modulating the power signal according to the PMA communication protocol. If the transmitter receives a valid PMA signal from the receiver, it continues to the identification phase, without removing the power signal. The receiver continues to send PMA DEC or PMA INC signals until target  $V_{RECT}$  is achieved, and after desired  $V_{RECT}$  is achieved, the bq51221 device sends a PMA NoCh signal to indicate that no further change is needed in transmitter frequency. Please note unlike the WPC mode receiver, in PMA mode, the bq51221 device will continue to send the PMA NoCh signal if the target  $V_{RECT}$  is within a defined voltage range. This means that the device will regulate the  $V_{RECT}$  voltage within an acceptable window. This can be seen in [Figure 15](#).

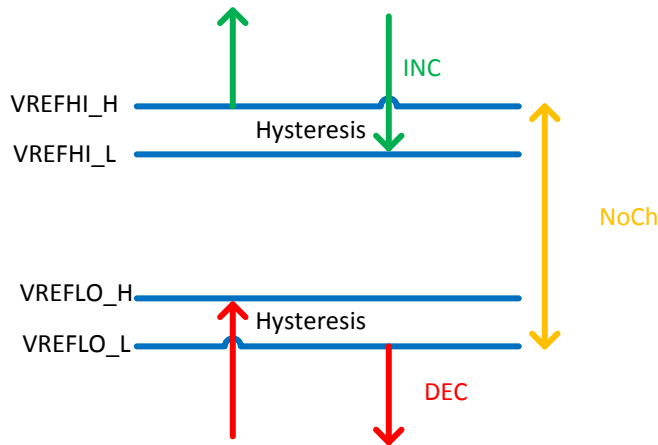


**Figure 14. Active Power Transfer Flow Diagram on PMA TX Type 1**

Optimized rectification voltage is key to maintaining high efficiency on the bq51221. [Figure 15](#) indicates the control and communication protocol between the receiver and the transmitter. The bq51221 sends an increment signal (INC) for increasing the operating frequency of the transmitter to decrease the transferred power if the rectification voltage is above  $V_{REFHI\_H}$ . INC signals will occur until the rectification voltage is below  $V_{REFHI\_L}$ . If the rectification voltage is below  $V_{REFLO\_L}$  then the bq51221 will send a decrease signal (DEC) to the transmitter which will decrease the frequency resulting in increased power delivery.  $V_{REFLO\_H}$  is the hysteresis

**Device Functional Modes (continued)**

level for terminating the DEC signal. A no change signal (NoCh) is sent when the rectification voltage is between VREFLO\_H and VREFHI\_L indicating there is no need to increase or decrease the transferred power. Additionally, the Hysteresis zones can be NoCh depending on the direction entered. For example, if the rectification voltage moves through VREFHI\_L to enter Hysteresis, the NoCh command is sent. If the same Hysteresis zone is entered through VREFHI\_H then the INC will continue to be sent until it reaches VREFHI\_L where the NoCh signal will commence. The device will not react to a change in load while the rectification voltage falls within the indicated levels ( $V_{REFHI\_H} > V_{RECT} > V_{REFLO\_L}$ ). When a load change occurs sufficient to move  $V_{RECT}$  outside this range, the appropriate signal (INC or DEC) will be sent.



**Figure 15. PMA Active Power Control Diagram**

## 9.5 Register Maps

Locations 0x01 and 0x02 can be written to any time. Locations 0xE0 to 0xFF are only functional when  $V_{RECT} > V_{UVLO}$ . When  $V_{RECT}$  goes below  $V_{UVLO}$ , locations 0xE0 to 0xFF are reset.

**Table 5. Wireless Power Supply Current Register 1 (READ / WRITE)**

| Memory Location: 0x01, Default State: 00000001 |             |              |  |
|--|-------------|--------------|--|
| BIT  | NAME        | READ / WRITE | FUNCTION   |
| B7 (MSB)                                       |             | Read / Write | Not used   |
| B6   |             | Read / Write | Not used   |
| B5   |             | Read / Write | Not used   |
| B4   |             | Read / Write | Not used   |
| B3   |             | Read / Write | Not used   |
| B2   | $V_{OREG2}$ | Read / Write | 450, 500, 550, 600, 650, 700, 750, or 800 mV<br>Changes $V_{O\_REG}$ target<br>Default value 001 |
| B1   | $V_{OREG1}$ | Read / Write |  |
| B0   | $V_{OREG0}$ | Read / Write |  |

**Table 6. Wireless Power Supply Current Register 2 (READ / WRITE)**

| Memory Location: 0x02, Default State: 00000111 |             |              |   |
|--|-------------|--------------|---|
| BIT  | NAME        | READ / WRITE | FUNCTION  |
| B7 (MSB)                                       | JEITA       | Read / Write | Not used  |
| B6   |             | Read / Write | Not used  |
| B5   | $I_{TERM2}$ | Read / Write | Not used  |
| B4   | $I_{TERM1}$ | Read / Write | Not used  |
| B3   | $I_{TERM0}$ | Read / Write | Not used  |
| B2   | $I_{OREG2}$ | Read / Write | 10%, 20%, 30%, 40%, 50%, 60%, 90%, and 100% of $I_{LIM}$ current<br>based on configuration<br>000, 001, ... 111 |
| B1   | $I_{OREG1}$ | Read / Write |   |
| B0   | $I_{OREG0}$ | Read / Write |   |

**Table 7. I<sup>2</sup>C Mailbox Register (READ / WRITE)**

| Memory Location: 0xE0, Reset State: 10000000 |               |              |  |
|--|---------------|--------------|--|
| BIT  | NAME          | READ / WRITE | FUNCTION   |
| B7   | USER_PKT_DONE | Read         | Set bit to 0 to send proprietary packet with header in 0xE2. CPU checks header to pick relevant payload from 0xF1 to 0xF4. This bit will be set to 1 after the user packet with the header in register 0xE2 is sent. |
| B6   | USER_PKT_ERR  | Read         | 00 = No error in sending packet<br>01 = Error: no transmitter present<br>10 = Illegal header found: packet will not be sent<br>11 = Error: not defined yet   |
| B5   |               |              |  |
| B4   | FOD Mailer    | Read / Write | Not used   |
| B3   | ALIGN Mailer  | Read / Write | Setting this bit to 1 will enable alignment aid mode where the CEP = 0 will be sent until this bit is set to 0 (or CPU reset occurs)   |
| B2   | FOD Scaler    | Read / Write | Not used, write to 0 if register is written  |
| B1   | Reserved      | Read / Write |  |
| B0   | Reserved      | Read / Write |  |

**Table 8. Wireless Power Supply FOD RAM (READ / WRITE)**

| Memory Location: 0xE1, Reset State: 00000000 <sup>(1)</sup> |                   |              |  |
|---|-------------------|--------------|--|
| BIT   | NAME              | READ / WRITE | FUNCTION   |
| B7 (MSB)  | ESR_ENABLE        | Read / Write | Enables I <sup>2</sup> C based ESR in received power, Enable = 1, Disable = 0                                    |
| B6  | OFF_ENABLE        | Read / Write | Enables I <sup>2</sup> C based offset power, Enable = 1, Disable = 0   |
| B5  | R <sub>FOD5</sub> | Read / Write | 000 – 0 mW<br>101 -- +195 mW<br>110 -- +234 mW<br>111 -- +273 mW<br>The value is added to received power message |
| B4  | R <sub>FOD4</sub> | Read / Write |  |
| B3  | R <sub>FOD3</sub> | Read / Write |  |
| B2  | R <sub>FOD2</sub> | Read / Write |  |
| B1  | R <sub>FOD1</sub> | Read / Write | 000 – ESR<br>001 – ESR<br>010 – ESR x 2<br>011 – ESR x 3   |
| B0  | R <sub>FOD0</sub> | Read / Write |  |
|   |                   |              | 100 – ESR x 4<br>101 – ESR<br>110 – ESR<br>111 – ESR x 0.5   |

(1) A non-zero value will change the I<sup>2</sup>R calculation resistor and offset in the received power calculation by a factor shown in the table.

**Table 9. Wireless Power User Header RAM (WRITE)**

| Memory Location: 0xE2, Reset State: 00000000 <sup>(1)</sup> |              |
|---|--------------|
| BIT   | READ / WRITE |
| B7 (MSB)  | Read / Write |
| B6  | Read / Write |
| B5  | Read / Write |
| B4  | Read / Write |
| B3  | Read / Write |
| B2  | Read / Write |
| B1  | Read / Write |
| B0  | Read / Write |

(1) Must write a valid header to enable proprietary package. As soon as mailer (0xE0) is written, payload bytes are sent on the next available communication slot as determined by CPU. Once payload is sent, the mailer (USER\_PKT\_DONE) is set to 1.

**Table 10. Wireless Power USER V<sub>RECT</sub> Status RAM (READ)**

| Memory Location: 0xE3, Reset State: 00000000<br>Range – 0 to 12 V<br>This register reads back the V <sub>RECT</sub> voltage with LSB = 46 mV |                    |              |             |
|--|--------------------|--------------|-------------|
| BIT  | NAME               | READ / WRITE | FUNCTION    |
| B7 (MSB)   | V <sub>RECT7</sub> | Read         | LSB = 46 mV |
| B6   | V <sub>RECT6</sub> | Read         |             |
| B5   | V <sub>RECT5</sub> | Read         |             |
| B4   | V <sub>RECT4</sub> | Read         |             |
| B3   | V <sub>RECT3</sub> | Read         |             |
| B2   | V <sub>RECT2</sub> | Read         |             |
| B1   | V <sub>RECT1</sub> | Read         |             |
| B0   | V <sub>RECT0</sub> | Read         |             |

**Table 11. Wireless Power VOUT Status RAM (READ)**

| Memory Location: 0xE4, Reset State: 00000000<br>This register reads back the V <sub>OUT</sub> voltage with LSB = 46 mV |                   |              |             |
|--|-------------------|--------------|-------------|
| BIT  | NAME              | Read / Write | FUNCTION    |
| B7 (MSB)   | V <sub>OUT7</sub> | Read / Write | LSB = 46 mV |
| B6   | V <sub>OUT6</sub> | Read / Write |             |
| B5   | V <sub>OUT5</sub> | Read / Write |             |
| B4   | V <sub>OUT4</sub> | Read / Write |             |
| B3   | V <sub>OUT3</sub> | Read / Write |             |
| B2   | V <sub>OUT2</sub> | Read / Write |             |
| B1   | V <sub>OUT1</sub> | Read / Write |             |
| B0   | V <sub>OUT0</sub> | Read / Write |             |

**Table 12. Wireless Power REC PWR Byte Status RAM (READ)**

| Memory Location: 0xE8, Reset State: 00000000<br>This register reads back the received power with LSB = 39 mW |  |              |
|--|--|--------------|
| BIT  |  | Read / Write |
| B7 (MSB)   |  | Read / Write |
| B6   |  | Read / Write |
| B5   |  | Read / Write |
| B4   |  | Read / Write |
| B3   |  | Read / Write |
| B2   |  | Read / Write |
| B1   |  | Read / Write |
| B0   |  | Read / Write |

**Table 13. Wireless Power Mode Indicator (READ)**

| Memory Location: 0xEF, Reset State: 00000000<br>This register reads back the MODE (WPC or PMA) based on the Transmitter |              |              |   |
|---|--------------|--------------|---|
| BIT   | NAME         | READ / WRITE | FUNCTION  |
| B7 (MSB)  |              | Read / Write | Not Used  |
| B6  | ALIGN Status | Read         | Alignment mode = 1, Normal operation = 0 (Status bit) |
| B5  |              | Read / Write | Not Used  |
| B4  |              | Read / Write | Not Used  |
| B3  |              | Read / Write | Not Used  |
| B2  |              | Read / Write | Not Used  |
| B1  |              | Read / Write | Not Used  |
| B0  | Mode         | Read         | PMA = 1, WPC = 0 (Status bit)                         |

**Table 14. Wireless Power Prop Packet Payload RAM Byte 0 (WRITE)**

| Memory Location: 0xF1, Reset State: 00000000 |              |
|--|--------------|
| BIT  | Read / Write |
| B7 (MSB)                                     | Read / Write |
| B6   | Read / Write |
| B5   | Read / Write |
| B4   | Read / Write |
| B3   | Read / Write |
| B2   | Read / Write |
| B1   | Read / Write |
| B0   | Read / Write |

**Table 15. Wireless Power Prop Packet Payload RAM Byte 1 (WRITE)**

| Memory Location: 0xF2, Reset State: 00000000 |              |
|--|--------------|
| BIT  | Read / Write |
| B7 (MSB)                                     | Read / Write |
| B6   | Read / Write |
| B5   | Read / Write |
| B4   | Read / Write |
| B3   | Read / Write |
| B2   | Read / Write |
| B1   | Read / Write |
| B0   | Read / Write |

**Table 16. Wireless Power Prop Packet Payload RAM Byte 2(WRITE)**

| Memory Location: 0xF3, Reset State: 00000000 |              |
|--|--------------|
| BIT  | Read / Write |
| B7 (MSB)                                     | Read / Write |
| B6   | Read / Write |
| B5   | Read / Write |
| B4   | Read / Write |
| B3   | Read / Write |
| B2   | Read / Write |
| B1   | Read / Write |
| B0   | Read / Write |

**Table 17. Wireless Power Prop Packet Payload RAM Byte 3 (WRITE)**

| Memory Location: 0xF4, Reset State: 00000000 |              |
|--|--------------|
| BIT  | Read / Write |
| B7 (MSB)                                     | Read / Write |
| B6   | Read / Write |
| B5   | Read / Write |
| B4   | Read / Write |
| B3   | Read / Write |
| B2   | Read / Write |
| B1   | Read / Write |
| B0   | Read / Write |

**Table 18. RXID Readback (READ)**

| Memory Location: 0xF5-0xFA, Reset State: 00000000<br>Registers 0xF5 to 0xFA store the RXID that can be read back when $V_{RECT} > V_{UVLO}$ |              |
|---|--------------|
| BIT   | Read / Write |
| B7 (MSB)  | Read         |
| B6  | Read         |
| B5  | Read         |
| B4  | Read         |
| B3  | Read         |
| B2  | Read         |
| B1  | Read         |
| B0  | Read         |

## 10 Application and Implementation

### 10.1 Application Information

The bq51221 device is a dual mode device which complies with both WPC v1.1 and PMA standards. This allows a system designer to design a system that complies with both wireless power standards. There are several tools available for the design of the system. These tools may be obtained by checking the product page at [www.ti.com/product/bq51221](http://www.ti.com/product/bq51221). The following sections detail how to design a dual mode RX system.

### 10.2 Typical Applications

#### 10.2.1 Dual Mode Design (WPC and PMA Compliant) Power Supply 5-V Output With 1-A Maximum Current

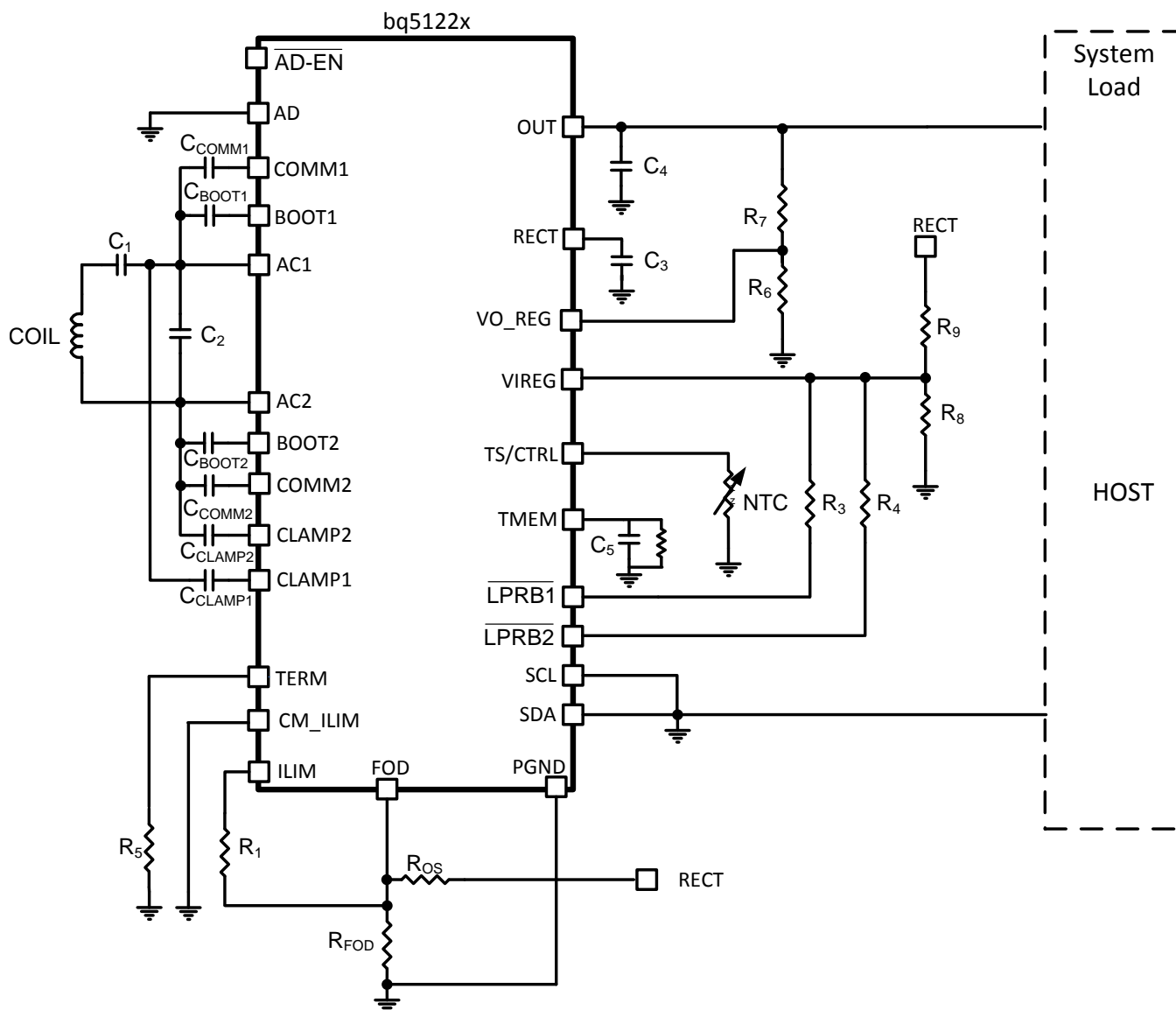


Figure 16. Dual Mode Schematic Using bq51221

## Typical Applications (continued)

### 10.2.1.1 Design Requirements

**Table 19. Design Parameters**

| DESIGN PARAMETER  | EXAMPLE VALUE |
|-------------------|---------------|
| $V_{OUT}$         | 5 V           |
| $I_{OUT}$ MAXIMUM | 1 A           |
| MODE              | WPC and PMA   |

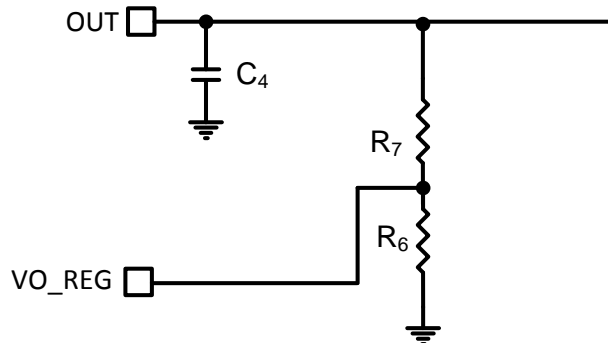
### 10.2.1.2 Detailed Design Procedure

To start the design procedure, start by determining the following.

- Mode of operation – in this case dual mode (WPC and PMA)
- Output voltage
- Maximum output current

#### 10.2.1.2.1 Output Voltage Set Point

The output voltage of the bq51221 device can be set by adjusting a feedback resistor divider network. The resistor divider network is used to set the voltage gain at the VO\_REG pin. The device is intended to operate where the voltage at the VO\_REG pin is set to 0.5 V. This value is the default setting and can be changed through I<sup>2</sup>C. In Figure 17, R<sub>6</sub> and R<sub>7</sub> are the feedback network for the output voltage sense.


**Figure 17. Voltage Gain for Feedback**

$$K_{VO} = \frac{0.5 \text{ V}}{V_{OUT}} \quad (10)$$

$$R_6 = \frac{K_{VO} \times R_7}{1 - K_{VO}} \quad (11)$$

Choose R<sub>7</sub> to be a standard value. In this case, care should be taken to choose R<sub>6</sub> and R<sub>7</sub> to be fairly large values so as to not dissipate excessive amount of power in the resistors and thereby lower efficiency.

K<sub>VO</sub> is set to be 0.5 / 5 = 0.1, choose R<sub>7</sub> to be 102 kΩ, and thus R<sub>6</sub> to be 11.3 kΩ.

After R<sub>6</sub> and R<sub>7</sub> are chosen, the same values should be used on R<sub>8</sub> and R<sub>9</sub>. This allows the device to regulate the rectifier in the PMA mode to accurately track the output voltage when the output voltage is changed through I<sup>2</sup>C.

#### 10.2.1.2.2 Output and Rectifier Capacitors

Set C<sub>4</sub> between 1 μF and 4.7 μF. This example uses 1 μF.

Set C<sub>3</sub> between 4.7 μF and 22 μF. This example uses 20 μF.

### 10.2.1.2.2.1 TMEM

Set  $C_5$  to 2.2  $\mu\text{F}$ . In order to determine the bleed off resistor, the WPC transmitters for which the  $\overline{\text{PD\_DET}}$  is being set for needs to be determined. After the ping timing (time between two consecutive digital pings after EPT charge complete is sent) is determined, the bleedoff resistor can be determined. This example uses TI transmitter EVMs as the use case. In this case the time between pings is 5 s. In order to set the time constant using Equation 8, it is set to 560 k $\Omega$ .

### 10.2.1.2.3 Maximum Output Current Set Point

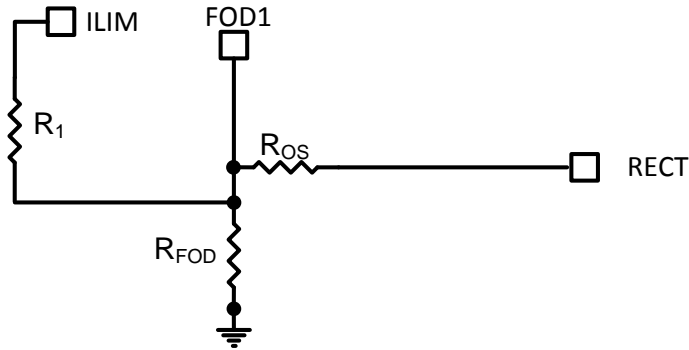


Figure 18. Current Limit Setting for bq51221

The bq51221 device includes a means of providing hardware overcurrent protection by means of an analog current regulation loop. The hardware current limit provides a level of safety by clamping the maximum allowable output current (for example, a current compliance). The  $R_{ILIM}$  resistor size also sets the thresholds for the dynamic rectifier levels and thus providing efficiency tuning per each application's maximum system current. The calculation for the total  $R_{ILIM}$  resistance is as follows:

$$R_{ILIM} = \frac{K_{ILIM}}{I_{ILIM}} \quad (12)$$

$$R_1 = R_{ILIM} - R_{FOD} \quad (13)$$

The  $R_{ILIM}$  will allow for the ILIM pin to reach 1.2 V at an output current equal to  $I_{ILIM}$ . When choosing  $R_{ILIM}$ , two options are possible.

If the application requires an output current equal to or greater than external ILIM that the circuit is designed for (input current limit on the charger where the RX is delivering power to is higher than the external ILIM), ensure that the downstream charger is capable of regulating the voltage of the input into which the RX device output is tied to by lowering the amount of current being drawn. This will ensure that the RX output does not collapse.

Such behavior is referred to as VIN-DPM in TI chargers. Unless such behavior is enabled on the charger, the charger will pull the output of the RX device to ground when the RX device enters current regulation.

If the applications are designed to extract less than the ILIM (1-A maximum), typical designs should leave a design margin of at least 20% so that the voltage at ILIM pin reaches 1.2 V when 20% more than maximum current of the system is drawn from the output of the RX. Such a design would have input current limit on the charger lower than the external ILIM of the RX device.

In both cases however, the charger must be capable of regulating the current drawn from the device to allow the output voltage to stay at a reasonable value. This same behavior is also necessary during the WPC V1.1 Communication. See [Communication Current Limit](#) for more details. The following calculations show how such a design is achieved:

$$R_{ILIM} = \frac{K_{ILIM}}{1.2 \times I_{ILIM}} \quad (14)$$

$$R_1 = R_{ILIM} - R_{FOD} \quad (15)$$

When referring to the application diagram shown in [Figure 18](#),  $R_{ILIM}$  is the sum of the  $R_1$  and  $R_{FOD}$  resistance (that is, the total resistance from the ILIM pin to GND).  $R_{FOD}$  is chosen according to the FOD application note that can be obtained by contacting your TI representative. This is used to allow the RX implementation to comply with WPC v1.1 requirements related to received power accuracy.

Also note that in many applications, the resistor  $R_{OS}$  is needed in order to comply with WPC V1.1 requirements. In such a case, the offset on the FOD pin from the voltage on  $R_{FOD}$  can cause a shift in the calculation that can reduce the expected current limit. Therefore, it is always a good idea to check the output current limit after FOD calibration is performed according to the FOD section shown below. Unfortunately, because the RECT voltage is not deterministic, and depends on transmitter operation to a certain degree, it is not possible to determine  $R_1$  with  $R_{OS}$  present in a deterministic manner.

In this example, set maximum current for the example to be 1000 mA. To set  $I_{ILIM} = 1.2$  A to allow for the 20% margin.

$$R_{ILIM} = \frac{840}{1.2} = 700 \, \Omega \quad (16)$$

#### 10.2.1.2.4 TERM Resistor

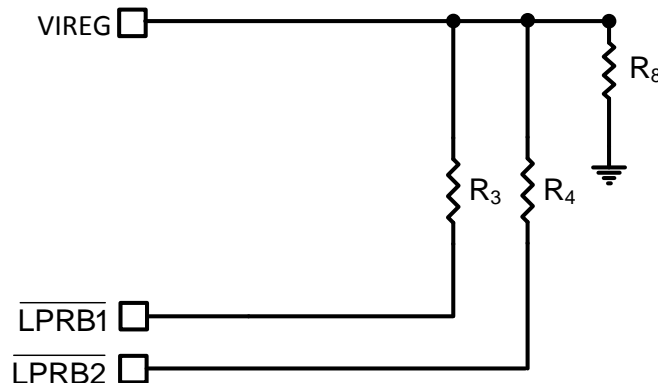
The TERM resistor is used to set the termination threshold on the RX. The device will send an EPT Charge Complete, or EOC message to the transmitter and thus allow for the system to go into a low standby mode. This is also mandated through PMA specification.

By picking a resistor to ground from the TERM pin the system designer can set the termination threshold. The device will send the EPT/EOC message, when the voltage on the ILIM pin goes below the voltage on the TERM pin. The designer can therefore set a resistor on the TERM pin that will determine the threshold.

$$R_5 = \frac{V_{ILIM\_TERM}}{50 \times 10^{-6}} \quad (17)$$

Typically, one can use  $R_{ILIM}$  to set  $R_5$  resistor such that at the desired current, on OUT pin,  $V_{ILIM\_TERM}$  can be reached. However, this can be made indeterministic because of the presence of the  $R_{OS}$  resistor that is used to comply with WPC v1.1 FOD requirements. Therefore, the system designer is suggested to measure the voltage on the ILIM pin at the output current where he would like to set the termination. This voltage on the ILIM pin is termed as  $V_{ILIM\_TERM}$ . In the design example, to set 50 mA, measure  $V_{ILIM\_TERM}$ . After this is done, set the resistor  $R_5$  using the equation [Equation 17](#).

#### 10.2.1.2.5 Setting $\overline{LPRB1}$ and $\overline{LPRB2}$ Resistors



**Figure 19. Setting Low Power Rectifier Boost**

$\overline{LPRB1}$  and  $\overline{LPRB2}$  are multifunction pins. Depending on whether the termination resistor is used or not, the  $\overline{LPRB}$  pins will change function. This allows the designer to optimize the PMA design for efficiency or transient performance.

**Table 20. LPRB Setup for Different Applications**

| Implementation | TERM Resistor | Ball Number F5 | Ball Number G6 |
|----------------|---------------|----------------|----------------|
| Backcover      | Populated     | LPRB1          | LPRB2          |
| Embedded       | Not populated | WPG            | PD_DET         |

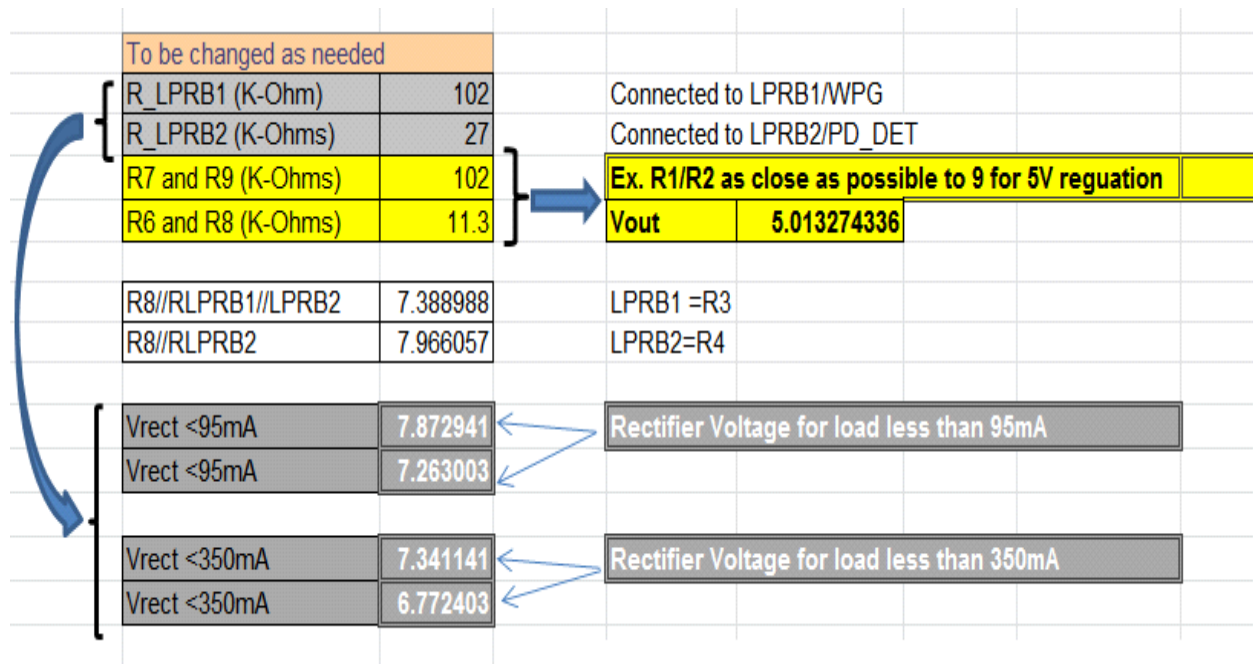
For more information on how to set the TERM resistor, see [TERM Resistor](#).

The LPRBx boosts the rectifier voltage to a higher voltage, and thus it sets the transmitter in PMA mode to operate in frequency or load line that can sustain load step which is part of the PMA certification process. LPRB1 is used to boost the rectifier voltage at low power (output current below about 95 mA). LPRB2 is used to boost the rectifier voltage when output current is below about 310 mA). Both pins are connected to VIREG through resistors, R<sub>3</sub> and R<sub>4</sub> as shown in [Setting LPRB1 and LPRB2 Resistors](#). These two values depend on the coil and the output voltage choice. Also, the allowable voltage drop also defined by the board manufacturer can allow you to set the voltage in these modes to optimize the efficiency and transient response. To design R<sub>3</sub> and R<sub>4</sub>, set a window of V<sub>RECT</sub> to boost the operating frequency of the TX a 0-mA load and 100 mA

Good starting points are: 7.3 to 7.8 V for 0 to 100 mA and 6.7 to 7.3 V for 100 to 400 mA

Now, find the values of R<sub>3</sub> and R<sub>4</sub> that can provide the chosen window. The lower and upper reference of VIREG is 0.4906 and 0.5318 V

Calculate V<sub>RECT</sub> as follows using the TI tool provided in the product folder under the "Tools & software" tab.



**Figure 20. LPRB Resistor Calculations**

#### 10.2.1.2.6 I<sup>2</sup>C

The I<sup>2</sup>C lines are used to communicate with the device. In order to enable the I<sup>2</sup>C, they can be pulled up to an internal host bus. When not in use as in [Figure 41](#), tie them to GND. The device address is 0x6C.

#### 10.2.1.2.7 Communication Current Limit

Communication current limit allows the device to communicate with the transmitter in an error free manner by decoupling the coil from load transients on the OUT pin during WPC communication. In some cases this communication current limit feature is not desirable. In this design, the user enables the communication current limit. This is done by tying the CM\_ILIM pin to GND. In the case that this is not needed, the CM\_ILIM pin can be tied to OUT pin to disable the communication current limit. In this case, take care that the voltage on the CM\_ILIM pin does not exceed the maximum rating of the pin.

#### 10.2.1.2.8 Receiver Coil

The receiver coil design is the most open and interesting part of the system design. The choice of the receiver inductance, shape, and materials all intimately influence the parameters themselves in an intertwined manner. This design can be complicated and involves optimizing many different aspects; refer to the user's guide for the EVM ([SLUUAX6](#)).

The typical choice of the inductance of the receiver coil for a dual mode 5-V solution is between 6 to 8  $\mu\text{H}$ .

#### 10.2.1.2.9 Series and Parallel Resonant Capacitors

Resonant capacitors  $C_1$  and  $C_2$  are set according to WPC specification. Although this is a dual mode solution, the PMA does not specify an exact resonance frequency for the resonant capacitors and in fact does not specify that resonant capacitors are indeed needed.

The equations for calculating the values of the resonant capacitors are shown:

$$C_1 = \left[ (f_S \cdot 2\pi)^2 \cdot L'_S \right]^{-1}$$

$$C_2 = \left[ (f_D \cdot 2\pi)^2 \cdot L_S - \frac{1}{C_1} \right]^{-1} \quad (18)$$

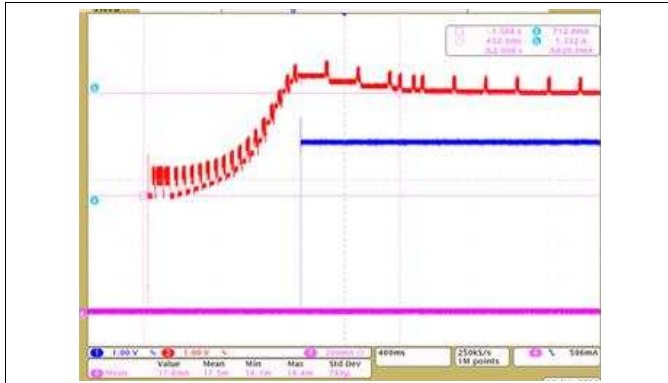
#### 10.2.1.2.10 Communication, Boot and Clamp Capacitors

Set  $C_{\text{COMMx}}$  to a value ranging from  $C_1 / 8$  to  $C_1 / 3$ . The higher the value of the communication capacitors, the easier it is to comply with PMA specification. However, higher capacitors do lower the overall efficiency of the system. Make sure these are X7R ceramic material and have a minimum voltage rating of 25 V.

Set  $C_{\text{BOOTx}}$  to be 15 nF. Make sure these are X7R ceramic material and have a minimum voltage rating of 25 V.

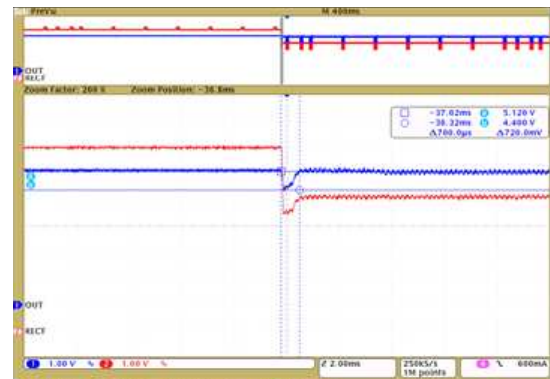
Set  $C_{\text{CLAMPx}}$  to be 470 nF. Make sure these are X7R ceramic material and have a minimum voltage rating of 25 V.

10.2.1.3 Application Curves



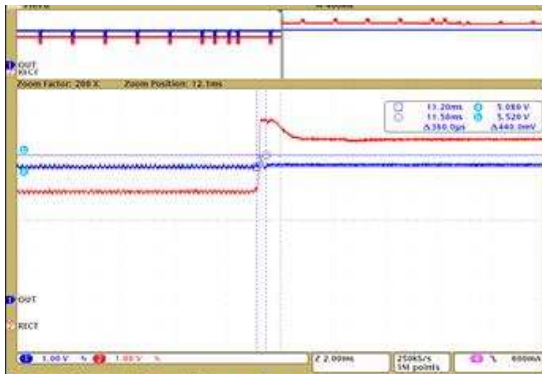
Ch1: V<sub>OUT</sub>, 1 V      Ch3: unused      400 ms/Div  
Ch2: V<sub>RECT</sub>, 1 V      Ch4: I<sub>OUT</sub>, 200 mA

Figure 21. bq51221 No Load Start-up on a WPC TX



Ch1: V<sub>OUT</sub>, 1 V      Ch3: unused      2 ms/Div  
Ch2: V<sub>RECT</sub>, 1 V      Ch4: I<sub>OUT</sub>, 200 mA

Figure 22. 0-mA to 1000-mA Step on a WPC TX



Ch1: V<sub>OUT</sub>, 1 V      Ch3: unused      2 ms/Div  
Ch2: V<sub>RECT</sub>, 1 V      Ch4: unused

Figure 23. 1000-mA to 0-mA Load Dump on a WPC TX

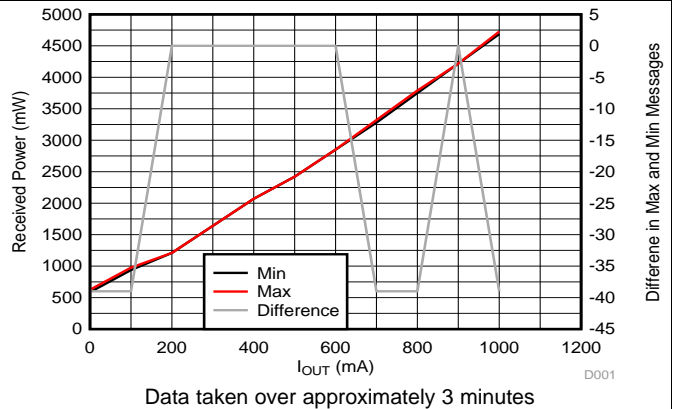


Figure 24. Received Power Variation (mW) vs I<sub>OUT</sub> (mA) on a WPC TX



Ch1: TS, 1 V      Ch3: unused      400 ms/Div  
Ch2: unused      Ch4: unused

Figure 25. TS Voltage Bias Without TS Resistor

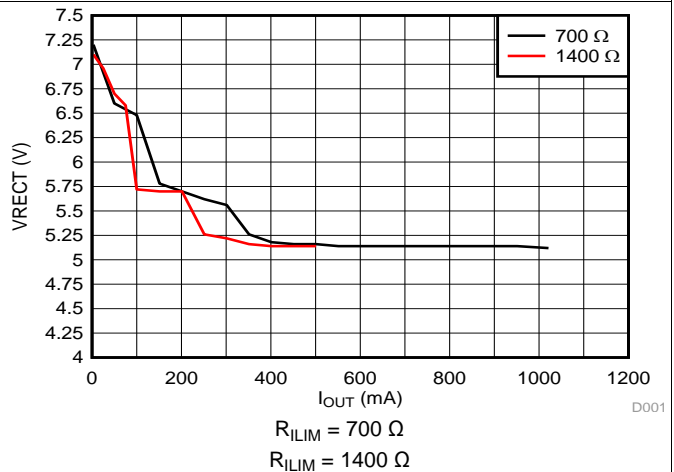


Figure 26. Rectifier Regulation on a WPC TX

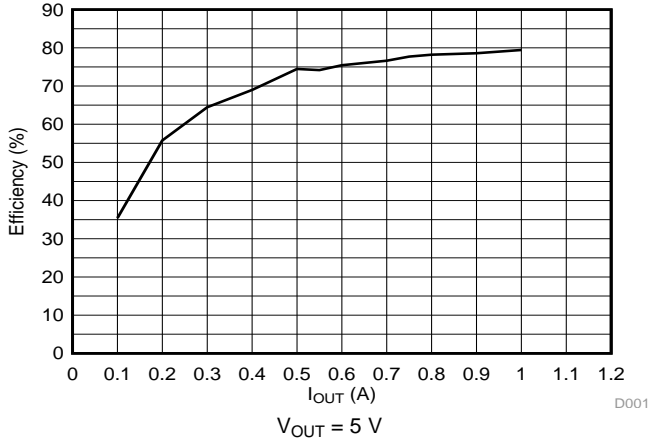
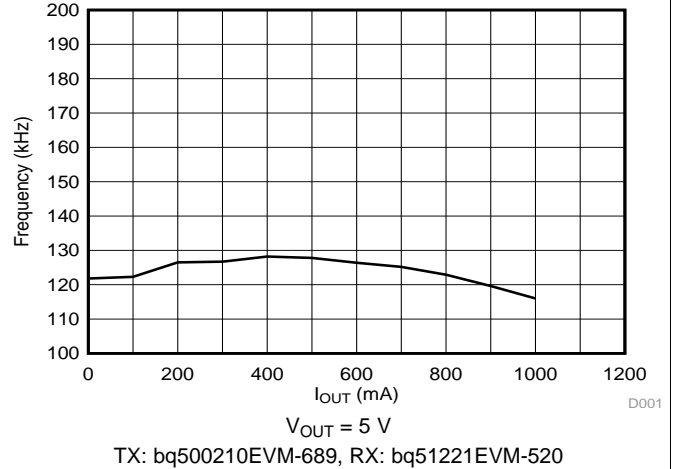
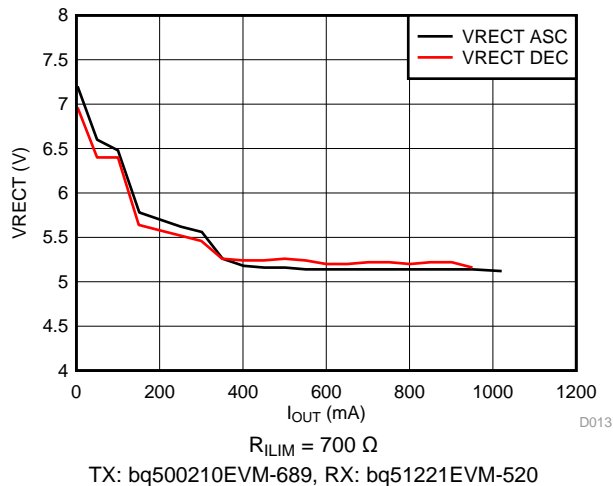


Figure 27. bq51221 WPC Efficiency on a WPC TX



TX: bq500210EVM-689, RX: bq51221EVM-520

Figure 28. Frequency Range on a WPC TX



TX: bq500210EVM-689, RX: bq51221EVM-520

Figure 29. Dynamic Regulation on a WPC TX

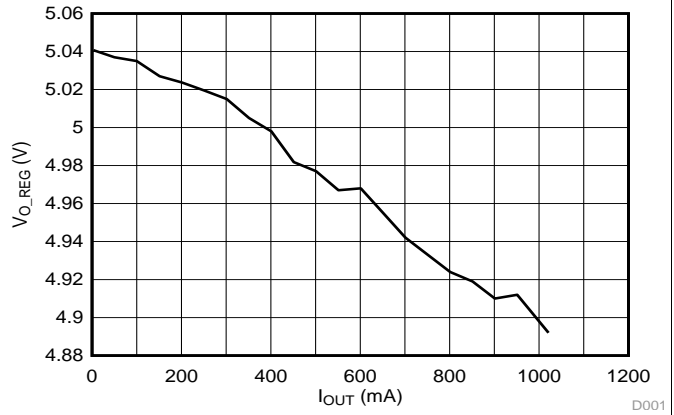


Figure 30. Output Regulation on a WPC TX

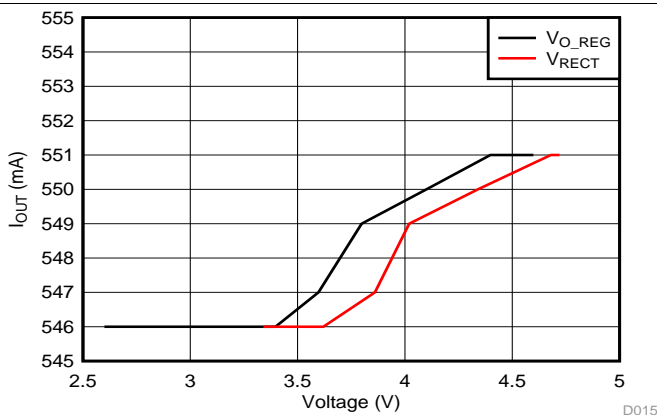


Figure 31. RECT Foldback in Current Limit on a WPC TX

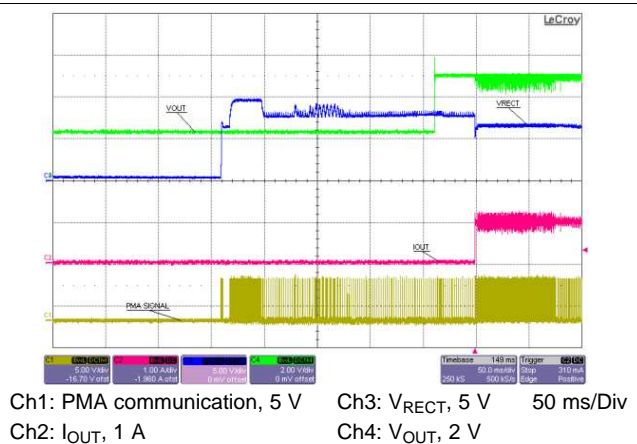
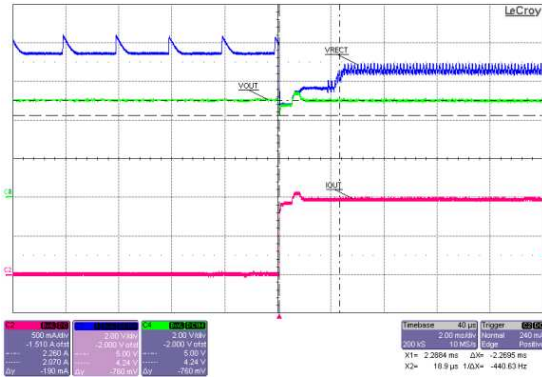
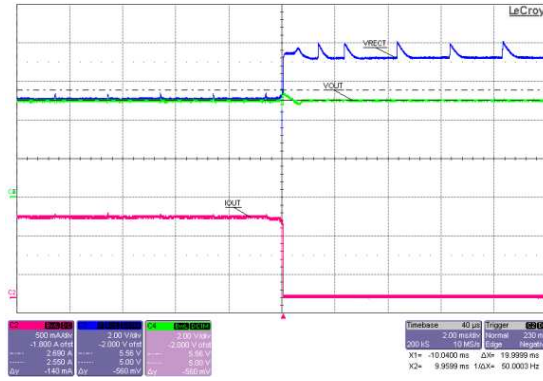


Figure 32. Startup on a PMA TX



Ch1: unused Ch3:  $V_{RECT}$ , 2 V 2 ms/Div  
Ch2:  $I_{OUT}$ , 500 mA Ch4:  $V_{OUT}$ , 2 V

Figure 33. Load Step from 0 mA to 1000 mA on PMA TX



Ch1: unused Ch3:  $V_{RECT}$ , 2 V 2 ms/Div  
Ch2:  $I_{OUT}$ , 500 mA Ch4:  $V_{OUT}$ , 2 V

Figure 34. Load Dump from 1000 mA to 0 mA on PMA TX

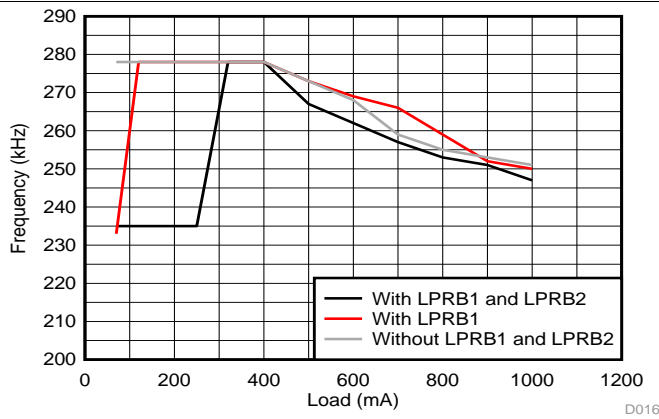
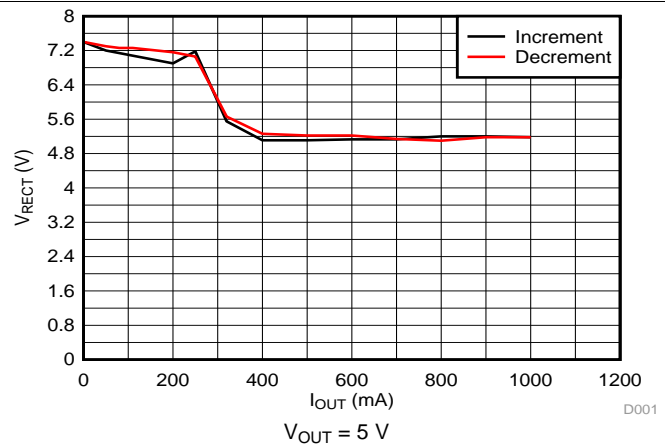


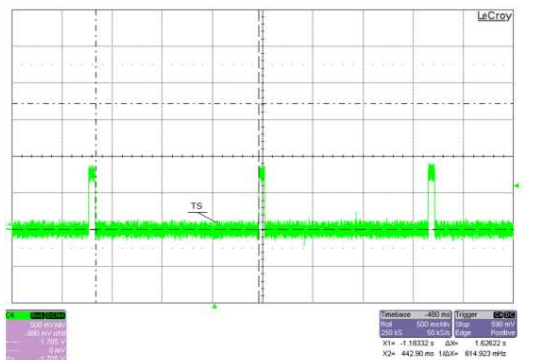
Figure 35. Frequency of Operation on a PMA TX



$V_{OUT} = 5\text{ V}$

TX: Duracell Powermat, RX: bq51221EVM-520

Figure 36.  $V_{RECT}$  on a PMA TX



Ch1: unused Ch3: unused 500 ms/Div  
Ch2: unused Ch4: TS, 500 mV

Figure 37. TS Measurement on a PMA TX

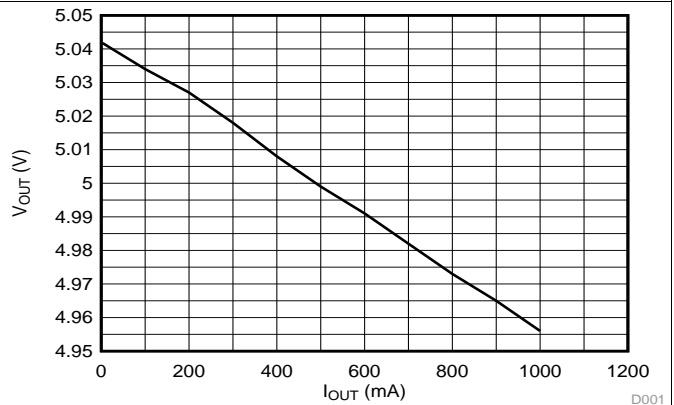
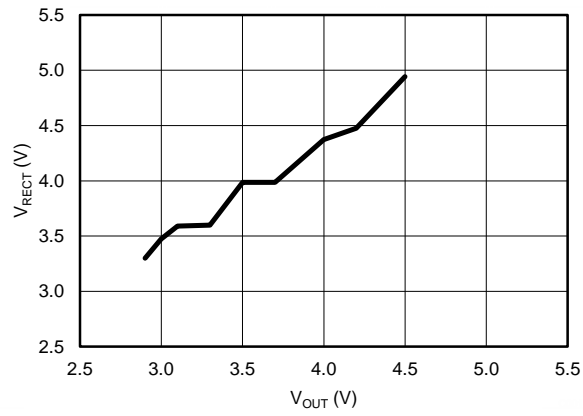


Figure 38. Output Voltage Regulation on a PMA TX



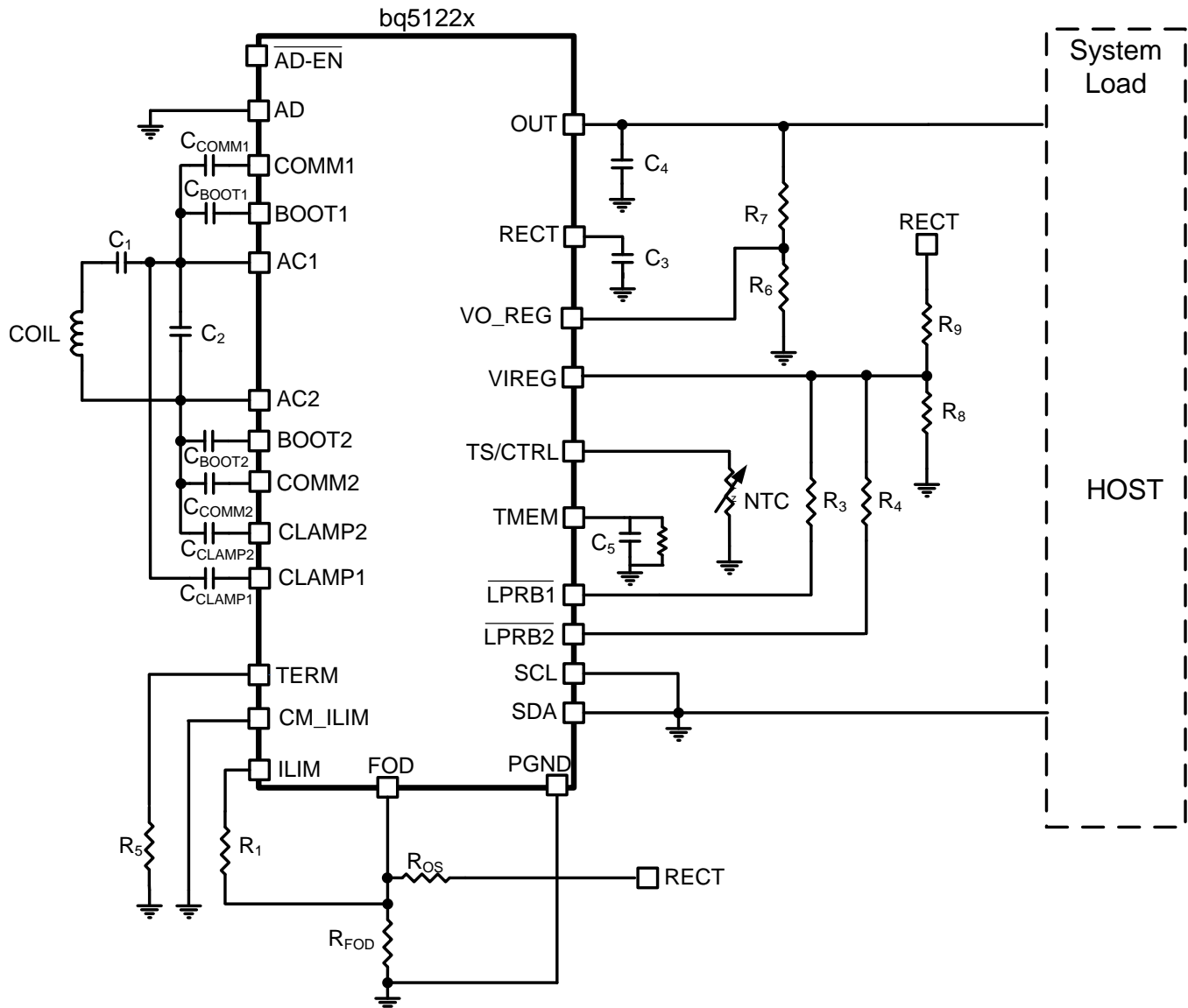
PMA mode, operating in current limit  
 $I_{LIM} = 1\text{ A}$

**Figure 39.  $V_{RECT}$  Tracks  $V_{OUT}$**



### 10.2.3 bq51221 Implemented in Back Cover

When the bq51221 device is implemented as a back cover solution, set TERM resistor to enable PMA term and LPRB1 and LPRB2 functions are automatically enabled. In this implementation, the bq51221 device can autonomously determine if EOC can be established because the termination current has been reached. In this configuration,  $\overline{\text{PD\_DET}}$  becomes LPRB1 and  $\overline{\text{WPG}}$  becomes LPRB2. This allows the RECT voltage to be controlled at different levels so that transient performance from light load to maximum current can be optimized.



**Figure 41. bq51221 Implemented in a Back Cover**

Refer to [Dual Mode Design \(WPC and PMA Compliant\) Power Supply 5-V Output With 1-A Maximum Current](#) for all design details.

## 11 Power Supply Recommendations

These devices are intended to be operated within the ranges shown in the *Recommended Operating Conditions*. Because the system involves a loosely coupled inductor set up, the voltages produced on the receiver are a function of the inductances and the available magnetic field. Ensure that the design in the worst case keeps the voltages within the *Absolute Maximum Ratings*.

## 12 Layout

### 12.1 Layout Guidelines

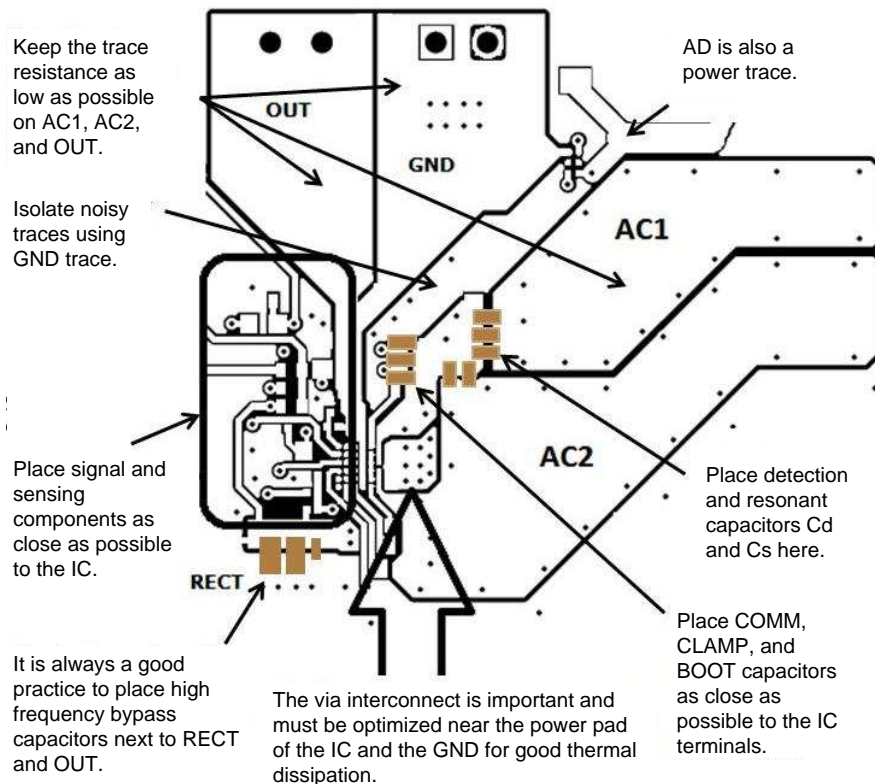
- Keep the trace resistance as low as possible on AC1, AC2, and OUT.
- Detection and resonant capacitors need to be as close to the device as possible.
- COMM, CLAMP, and BOOT capacitors need to be placed as close to the device as possible.
- Via interconnect on GND net is critical for appropriate signal integrity and proper thermal performance.
- High frequency bypass capacitors need to be placed close to RECT and OUT pins.
- ILIM and FOD resistors are important signal paths and the loops in those paths to GND must be minimized.

Signal and sensing traces are the most sensitive to noise; the sensing signal amplitudes are usually measured in mV, which is comparable to the noise amplitude. Make sure that these traces are not being interfered by the noisy and power traces. AC1, AC2, BOOT1, BOOT2, COMM1, and COMM2 are the main source of noise in the board. These traces should be shielded from other components in the board. It is usually preferred to have a ground copper area placed underneath these traces to provide additional shielding. Also, make sure they do not interfere with the signal and sensing traces. The PCB should have a ground plane (return) connected directly to the return of all components through vias (two vias per capacitor for power-stage capacitors, one via per capacitor for small-signal components).

For a 1-A fast charge current application, the current rating for each net is as follows:

- AC1 = AC2 = 1.2 A
- OUT = 1 A
- RECT = 100 mA (RMS)
- COMMx = 300 mA
- CLAMPx = 500 mA
- All others can be rated for 10 mA or less

### 12.2 Layout Example



## 13 Device and Documentation Support

### 13.1 Trademarks

All trademarks are the property of their respective owners.

### 13.2 Electrostatic Discharge Caution



These devices have limited built-in ESD protection. The leads should be shorted together or the device placed in conductive foam during storage or handling to prevent electrostatic damage to the MOS gates.

### 13.3 Glossary

[SLYZ022](#) — *TI Glossary*.

This glossary lists and explains terms, acronyms, and definitions.

## 14 Mechanical, Packaging, and Orderable Information

The following pages include mechanical packaging and orderable information. This information is the most current data available for the designated devices. This data is subject to change without notice and revision of this document. For browser-based versions of this data sheet, refer to the left-hand navigation.

**PACKAGING INFORMATION**

| Orderable Device | Status<br>(1) | Package Type | Package Drawing | Pins | Package Qty | Eco Plan<br>(2)         | Lead/Ball Finish<br>(6) | MSL Peak Temp<br>(3) | Op Temp (°C) | Device Marking<br>(4/5) | Samples                 |
|------------------|---------------|--------------|-----------------|------|-------------|-------------------------|-------------------------|----------------------|--------------|-------------------------|-------------------------|
| BQ51221YFPR      | ACTIVE        | DSBGA        | YFP             | 42   | 3000        | Green (RoHS & no Sb/Br) | SNAGCU                  | Level-1-260C-UNLIM   | -40 to 85    | BQ51221                 | <a href="#">Samples</a> |
| BQ51221YFPT      | ACTIVE        | DSBGA        | YFP             | 42   | 250         | Green (RoHS & no Sb/Br) | SNAGCU                  | Level-1-260C-UNLIM   | -40 to 85    | BQ51221                 | <a href="#">Samples</a> |

(1) The marketing status values are defined as follows:

**ACTIVE:** Product device recommended for new designs.

**LIFEBUY:** TI has announced that the device will be discontinued, and a lifetime-buy period is in effect.

**NRND:** Not recommended for new designs. Device is in production to support existing customers, but TI does not recommend using this part in a new design.

**PREVIEW:** Device has been announced but is not in production. Samples may or may not be available.

**OBSOLETE:** TI has discontinued the production of the device.

(2) Eco Plan - The planned eco-friendly classification: Pb-Free (RoHS), Pb-Free (RoHS Exempt), or Green (RoHS & no Sb/Br) - please check <http://www.ti.com/productcontent> for the latest availability information and additional product content details.

**TBD:** The Pb-Free/Green conversion plan has not been defined.

**Pb-Free (RoHS):** TI's terms "Lead-Free" or "Pb-Free" mean semiconductor products that are compatible with the current RoHS requirements for all 6 substances, including the requirement that lead not exceed 0.1% by weight in homogeneous materials. Where designed to be soldered at high temperatures, TI Pb-Free products are suitable for use in specified lead-free processes.

**Pb-Free (RoHS Exempt):** This component has a RoHS exemption for either 1) lead-based flip-chip solder bumps used between the die and package, or 2) lead-based die adhesive used between the die and leadframe. The component is otherwise considered Pb-Free (RoHS compatible) as defined above.

**Green (RoHS & no Sb/Br):** TI defines "Green" to mean Pb-Free (RoHS compatible), and free of Bromine (Br) and Antimony (Sb) based flame retardants (Br or Sb do not exceed 0.1% by weight in homogeneous material)

(3) MSL, Peak Temp. - The Moisture Sensitivity Level rating according to the JEDEC industry standard classifications, and peak solder temperature.

(4) There may be additional marking, which relates to the logo, the lot trace code information, or the environmental category on the device.

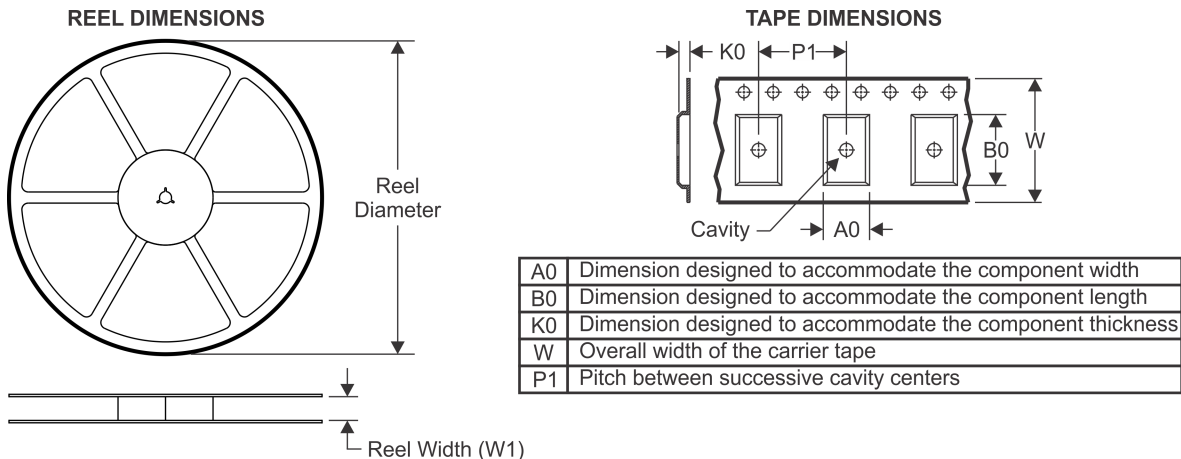
(5) Multiple Device Markings will be inside parentheses. Only one Device Marking contained in parentheses and separated by a "~" will appear on a device. If a line is indented then it is a continuation of the previous line and the two combined represent the entire Device Marking for that device.

(6) Lead/Ball Finish - Orderable Devices may have multiple material finish options. Finish options are separated by a vertical ruled line. Lead/Ball Finish values may wrap to two lines if the finish value exceeds the maximum column width.

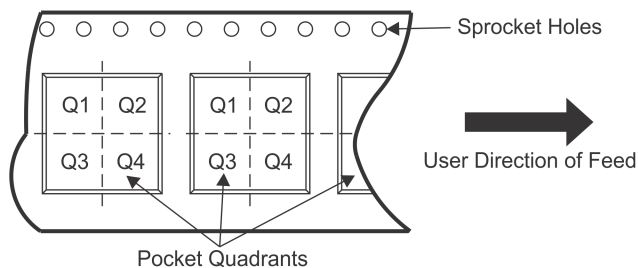
**Important Information and Disclaimer:** The information provided on this page represents TI's knowledge and belief as of the date that it is provided. TI bases its knowledge and belief on information provided by third parties, and makes no representation or warranty as to the accuracy of such information. Efforts are underway to better integrate information from third parties. TI has taken and continues to take reasonable steps to provide representative and accurate information but may not have conducted destructive testing or chemical analysis on incoming materials and chemicals. TI and TI suppliers consider certain information to be proprietary, and thus CAS numbers and other limited information may not be available for release.

In no event shall TI's liability arising out of such information exceed the total purchase price of the TI part(s) at issue in this document sold by TI to Customer on an annual basis.

## TAPE AND REEL INFORMATION

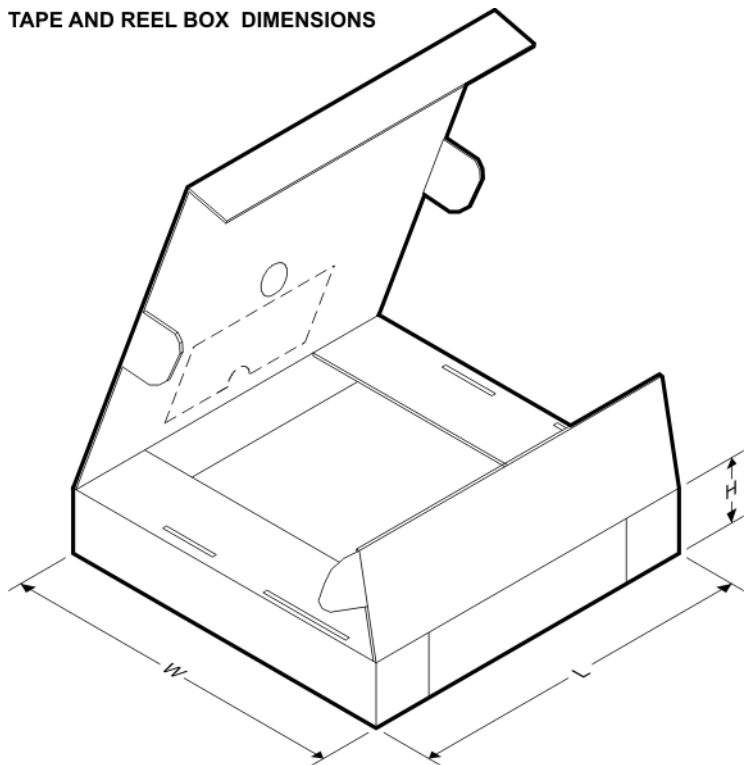


### QUADRANT ASSIGNMENTS FOR PIN 1 ORIENTATION IN TAPE



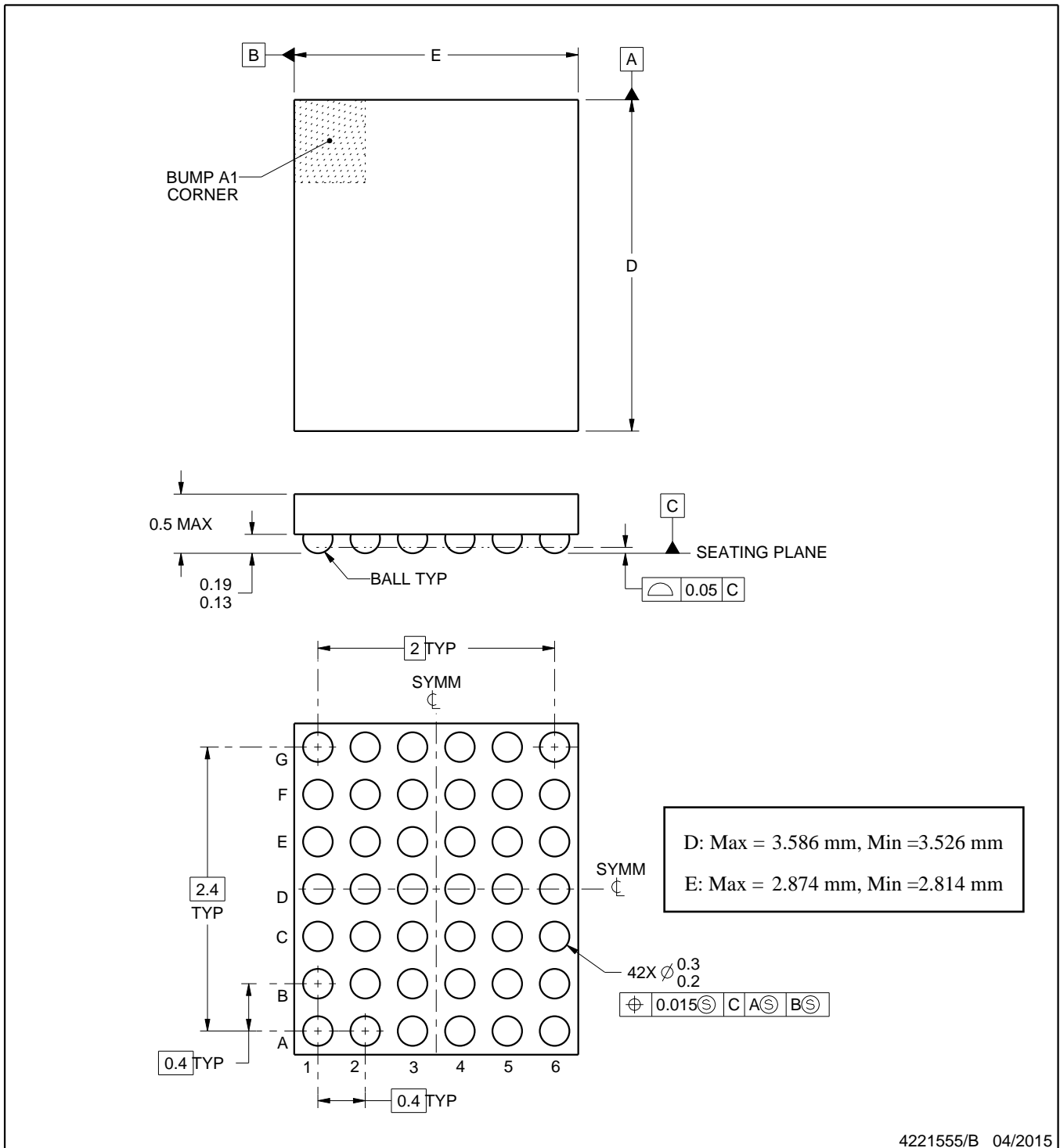
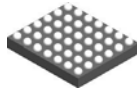
\*All dimensions are nominal

| Device      | Package Type | Package Drawing | Pins | SPQ  | Reel Diameter (mm) | Reel Width W1 (mm) | A0 (mm) | B0 (mm) | K0 (mm) | P1 (mm) | W (mm) | Pin1 Quadrant |
|-------------|--------------|-----------------|------|------|--------------------|--------------------|---------|---------|---------|---------|--------|---------------|
| BQ51221YFPR | DSBGA        | YFP             | 42   | 3000 | 330.0              | 12.4               | 2.99    | 3.71    | 0.81    | 8.0     | 12.0   | Q1            |
| BQ51221YFPT | DSBGA        | YFP             | 42   | 250  | 330.0              | 12.4               | 2.99    | 3.71    | 0.81    | 8.0     | 12.0   | Q1            |

**TAPE AND REEL BOX DIMENSIONS**


\*All dimensions are nominal

| Device      | Package Type | Package Drawing | Pins | SPQ  | Length (mm) | Width (mm) | Height (mm) |
|-------------|--------------|-----------------|------|------|-------------|------------|-------------|
| BQ51221YFPR | DSBGA        | YFP             | 42   | 3000 | 367.0       | 367.0      | 35.0        |
| BQ51221YFPT | DSBGA        | YFP             | 42   | 250  | 367.0       | 367.0      | 35.0        |



NOTES:

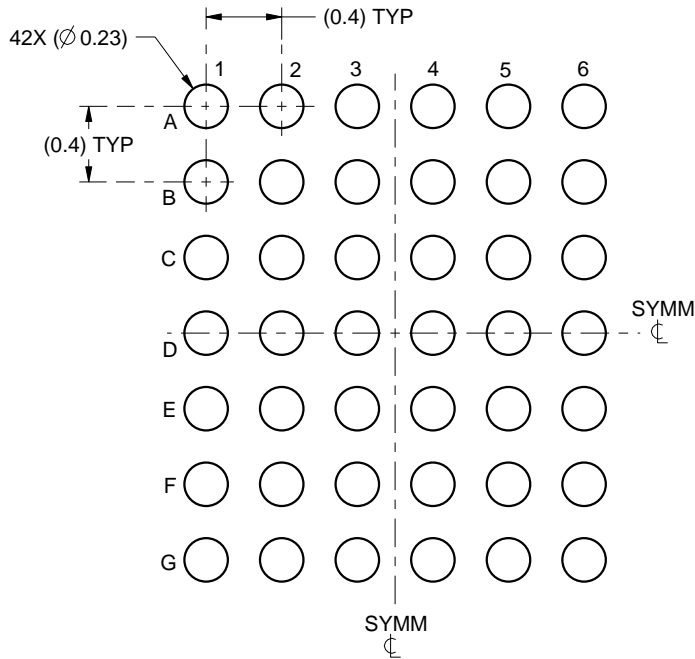
1. All linear dimensions are in millimeters. Any dimensions in parenthesis are for reference only. Dimensioning and tolerancing per ASME Y14.5M.
2. This drawing is subject to change without notice.

# EXAMPLE BOARD LAYOUT

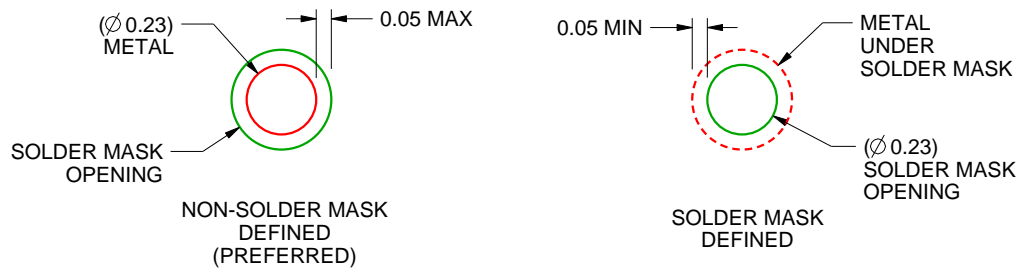
YFP0042

DSBGA - 0.5 mm max height

DIE SIZE BALL GRID ARRAY



LAND PATTERN EXAMPLE  
SCALE:25X



SOLDER MASK DETAILS  
NOT TO SCALE

4221555/B 04/2015

NOTES: (continued)

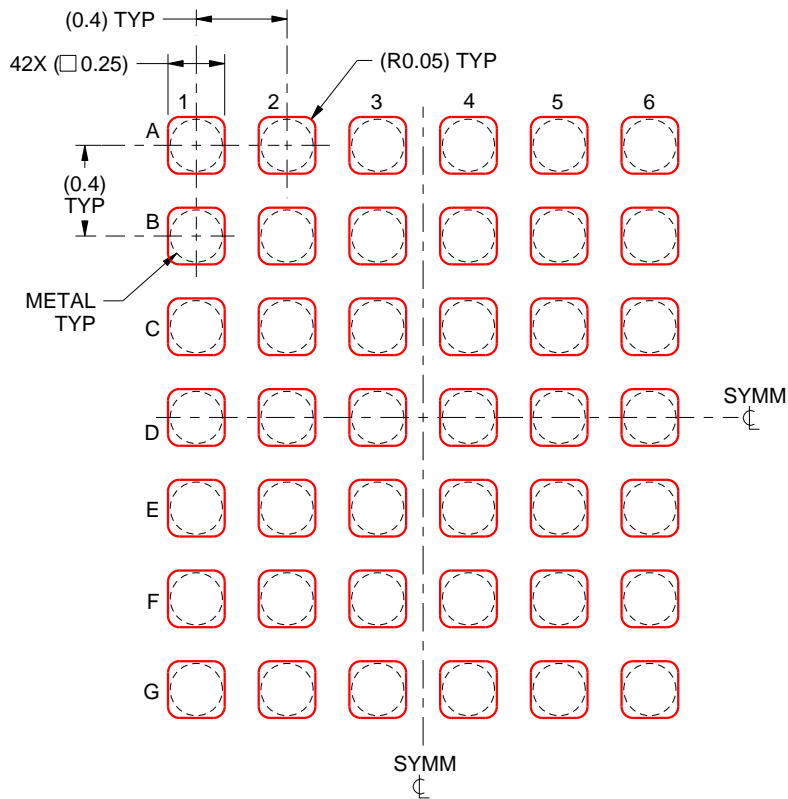
- Final dimensions may vary due to manufacturing tolerance considerations and also routing constraints. For more information, see Texas Instruments literature number SNVA009 ([www.ti.com/lit/snva009](http://www.ti.com/lit/snva009)).

# EXAMPLE STENCIL DESIGN

YFP0042

DSBGA - 0.5 mm max height

DIE SIZE BALL GRID ARRAY



SOLDER PASTE EXAMPLE  
BASED ON 0.1 mm THICK STENCIL  
SCALE:30X

4221555/B 04/2015

NOTES: (continued)

4. Laser cutting apertures with trapezoidal walls and rounded corners may offer better paste release.

## IMPORTANT NOTICE

Texas Instruments Incorporated (TI) reserves the right to make corrections, enhancements, improvements and other changes to its semiconductor products and services per JESD46, latest issue, and to discontinue any product or service per JESD48, latest issue. Buyers should obtain the latest relevant information before placing orders and should verify that such information is current and complete.

TI's published terms of sale for semiconductor products (<http://www.ti.com/sc/docs/stdterms.htm>) apply to the sale of packaged integrated circuit products that TI has qualified and released to market. Additional terms may apply to the use or sale of other types of TI products and services.

Reproduction of significant portions of TI information in TI data sheets is permissible only if reproduction is without alteration and is accompanied by all associated warranties, conditions, limitations, and notices. TI is not responsible or liable for such reproduced documentation. Information of third parties may be subject to additional restrictions. Resale of TI products or services with statements different from or beyond the parameters stated by TI for that product or service voids all express and any implied warranties for the associated TI product or service and is an unfair and deceptive business practice. TI is not responsible or liable for any such statements.

Buyers and others who are developing systems that incorporate TI products (collectively, "Designers") understand and agree that Designers remain responsible for using their independent analysis, evaluation and judgment in designing their applications and that Designers have full and exclusive responsibility to assure the safety of Designers' applications and compliance of their applications (and of all TI products used in or for Designers' applications) with all applicable regulations, laws and other applicable requirements. Designer represents that, with respect to their applications, Designer has all the necessary expertise to create and implement safeguards that (1) anticipate dangerous consequences of failures, (2) monitor failures and their consequences, and (3) lessen the likelihood of failures that might cause harm and take appropriate actions. Designer agrees that prior to using or distributing any applications that include TI products, Designer will thoroughly test such applications and the functionality of such TI products as used in such applications.

TI's provision of technical, application or other design advice, quality characterization, reliability data or other services or information, including, but not limited to, reference designs and materials relating to evaluation modules, (collectively, "TI Resources") are intended to assist designers who are developing applications that incorporate TI products; by downloading, accessing or using TI Resources in any way, Designer (individually or, if Designer is acting on behalf of a company, Designer's company) agrees to use any particular TI Resource solely for this purpose and subject to the terms of this Notice.

TI's provision of TI Resources does not expand or otherwise alter TI's applicable published warranties or warranty disclaimers for TI products, and no additional obligations or liabilities arise from TI providing such TI Resources. TI reserves the right to make corrections, enhancements, improvements and other changes to its TI Resources. TI has not conducted any testing other than that specifically described in the published documentation for a particular TI Resource.

Designer is authorized to use, copy and modify any individual TI Resource only in connection with the development of applications that include the TI product(s) identified in such TI Resource. NO OTHER LICENSE, EXPRESS OR IMPLIED, BY ESTOPPEL OR OTHERWISE TO ANY OTHER TI INTELLECTUAL PROPERTY RIGHT, AND NO LICENSE TO ANY TECHNOLOGY OR INTELLECTUAL PROPERTY RIGHT OF TI OR ANY THIRD PARTY IS GRANTED HEREIN, including but not limited to any patent right, copyright, mask work right, or other intellectual property right relating to any combination, machine, or process in which TI products or services are used. Information regarding or referencing third-party products or services does not constitute a license to use such products or services, or a warranty or endorsement thereof. Use of TI Resources may require a license from a third party under the patents or other intellectual property of the third party, or a license from TI under the patents or other intellectual property of TI.

TI RESOURCES ARE PROVIDED "AS IS" AND WITH ALL FAULTS. TI DISCLAIMS ALL OTHER WARRANTIES OR REPRESENTATIONS, EXPRESS OR IMPLIED, REGARDING RESOURCES OR USE THEREOF, INCLUDING BUT NOT LIMITED TO ACCURACY OR COMPLETENESS, TITLE, ANY EPIDEMIC FAILURE WARRANTY AND ANY IMPLIED WARRANTIES OF MERCHANTABILITY, FITNESS FOR A PARTICULAR PURPOSE, AND NON-INFRINGEMENT OF ANY THIRD PARTY INTELLECTUAL PROPERTY RIGHTS. TI SHALL NOT BE LIABLE FOR AND SHALL NOT DEFEND OR INDEMNIFY DESIGNER AGAINST ANY CLAIM, INCLUDING BUT NOT LIMITED TO ANY INFRINGEMENT CLAIM THAT RELATES TO OR IS BASED ON ANY COMBINATION OF PRODUCTS EVEN IF DESCRIBED IN TI RESOURCES OR OTHERWISE. IN NO EVENT SHALL TI BE LIABLE FOR ANY ACTUAL, DIRECT, SPECIAL, COLLATERAL, INDIRECT, PUNITIVE, INCIDENTAL, CONSEQUENTIAL OR EXEMPLARY DAMAGES IN CONNECTION WITH OR ARISING OUT OF TI RESOURCES OR USE THEREOF, AND REGARDLESS OF WHETHER TI HAS BEEN ADVISED OF THE POSSIBILITY OF SUCH DAMAGES.

Unless TI has explicitly designated an individual product as meeting the requirements of a particular industry standard (e.g., ISO/TS 16949 and ISO 26262), TI is not responsible for any failure to meet such industry standard requirements.

Where TI specifically promotes products as facilitating functional safety or as compliant with industry functional safety standards, such products are intended to help enable customers to design and create their own applications that meet applicable functional safety standards and requirements. Using products in an application does not by itself establish any safety features in the application. Designers must ensure compliance with safety-related requirements and standards applicable to their applications. Designer may not use any TI products in life-critical medical equipment unless authorized officers of the parties have executed a special contract specifically governing such use. Life-critical medical equipment is medical equipment where failure of such equipment would cause serious bodily injury or death (e.g., life support, pacemakers, defibrillators, heart pumps, neurostimulators, and implantables). Such equipment includes, without limitation, all medical devices identified by the U.S. Food and Drug Administration as Class III devices and equivalent classifications outside the U.S.

TI may expressly designate certain products as completing a particular qualification (e.g., Q100, Military Grade, or Enhanced Product). Designers agree that it has the necessary expertise to select the product with the appropriate qualification designation for their applications and that proper product selection is at Designers' own risk. Designers are solely responsible for compliance with all legal and regulatory requirements in connection with such selection.

Designer will fully indemnify TI and its representatives against any damages, costs, losses, and/or liabilities arising out of Designer's non-compliance with the terms and provisions of this Notice.

## Looking for pricing, stock, or lifecycle information?

Click below to explore more details on WIN SOURCE:

 [View BQ51221YFPT on WIN SOURCE](#)

 [Texas Instruments](#) Information

## Optimize Your Supply Chain with WIN SOURCE Solutions

-  Global Sourcing Solution
-  Obsolete Management
-  Cost Control Management
-  Shortage Management
-  Alternative Solution
-  Excess Inventory Management