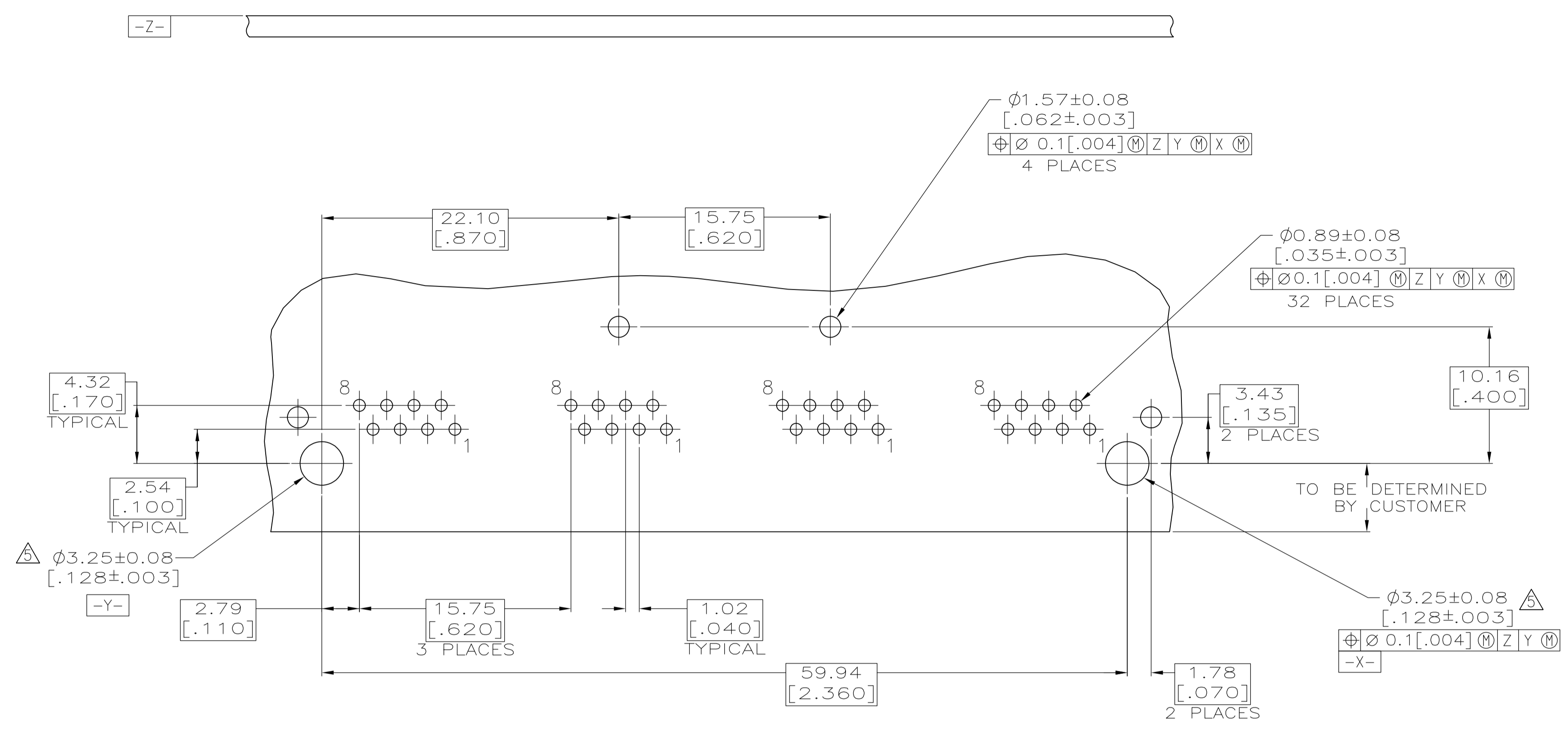




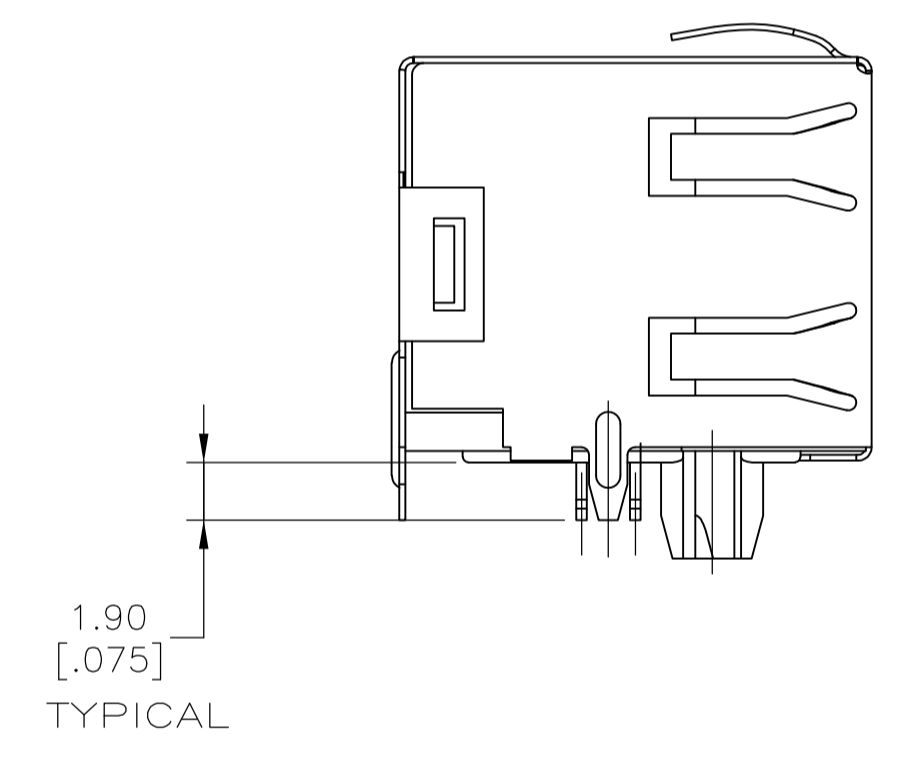
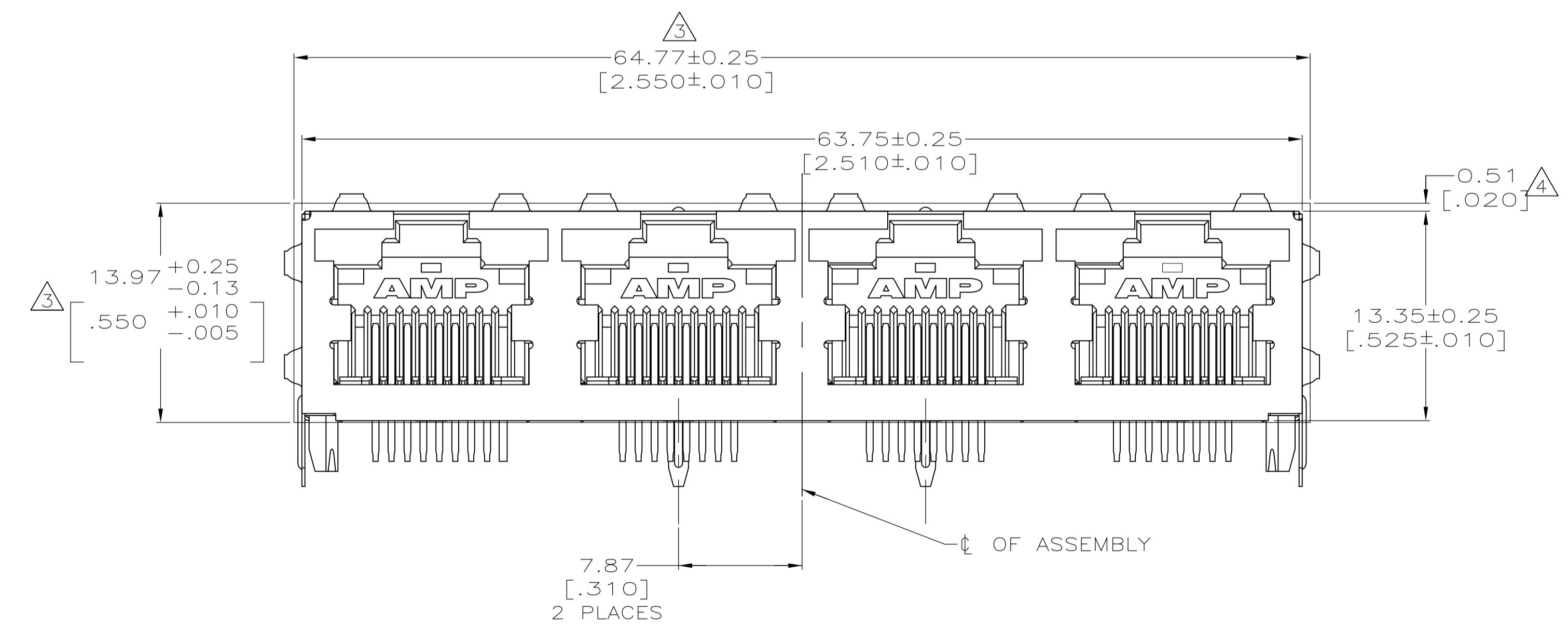
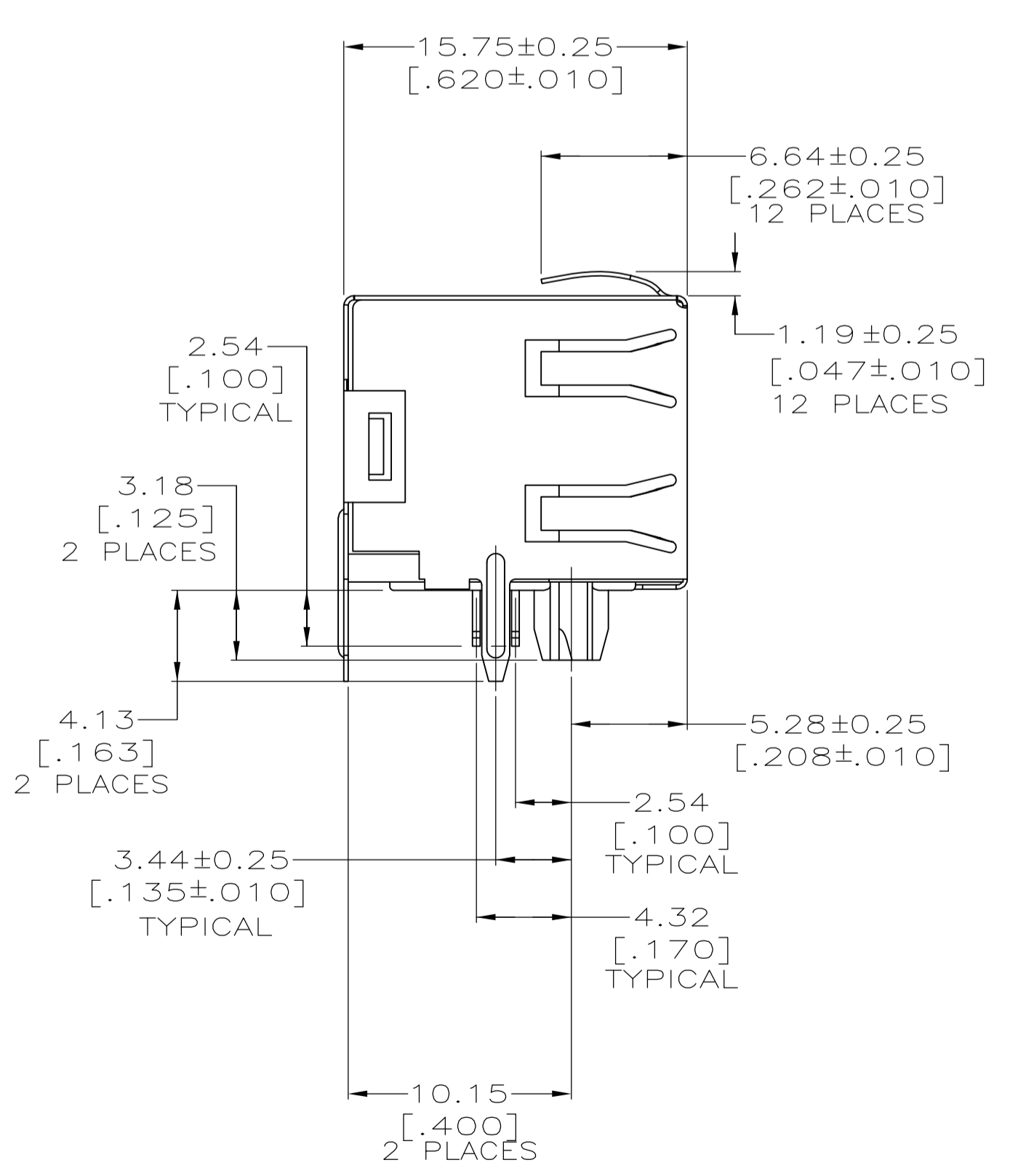
THE DATASHEET OF
5406544-2



LOC	DIST	REVISIONS					
AA	22	REV	PER	ECO	DATE	BY	CHK
		B1	REV	PER ECO-14-011533	29JUL2014	CW	SH
		B3	PER	ECO-15-016408	28AUG15	AD	SH



SUGGESTED PRINTED CIRCUIT BOARD LAYOUT
(COMPONENT SIDE)



ONLY FOR 5406544-3

- ⚠ MATERIAL:
HOUSING - HIGH TEMPERATURE THERMOPLASTIC, BLACK, UL94V-0.
TERMINALS - .36[.014] THICK PHOS BRONZE PLATED WITH 3.81 μ m[.000150] MINIMUM THICK MATTE TIN IN SOLDER AREA. 1.27 μ m [.000050] MINIMUM GOLD IN LOCALIZED PLATE AREA. ENTIRE TERMINAL PLATED WITH 1.27 μ m [.000050] MINIMUM THICK NICKEL.
SHIELD - .196[.0077] THICK COPPER ZINC ALLOY PREPLATED WITH 1.27 μ m [.0000500] MIN NICKEL WITH 2.03 μ m [.000080] -3.81 μ m [.000150] POST DIP TION ON PCB GROUND TABS.
- 2. JACK CAVITY CONFORMS TO FCC RULES AND REGULATIONS PART 68, SUBPART F.
- ⚠ SUGGESTED PANEL OPENING DIMENSIONS.
- ⚠ SUGGESTED CLEARANCE BETWEEN TOP OF CONNECTOR AND TOP PANEL OPENING.
- ⚠ PLEASE ENSURE THE HOLE IS FULL CIRCLE SHAPE
- ⚠ CAPABLE WITH LEAD FREE IR-REFLOW SOLDERING PROCESS.

THIS DRAWING IS A CONTROLLED DOCUMENT.		DIN		J. ALCORTA - 16JUN2005	
DIMENSIONS: mm [INCHES]		CHK		J. WESTMAN 16JUN2005	
TOLERANCES UNLESS OTHERWISE SPECIFIED:		APVD		S. FLICKINGER 16JUN2005	
0. PLC ± -		NAME		INVERTED MOD JACK ASSEMBLY, 1x4, SHIELDED, PANEL GROUND	
1. PLC ± -		PRODUCT SPEC		108-1163-4	
2. PLC ± 0.25[.01]		APPLICATION SPEC		114-2154	
3. PLC ± 0.13[.005]		SIZE		A1	
4. PLC ± -		CAGE CODE		00779	
ANGLES ± -		DRAWING NO		5406544	
MATERIAL		WEIGHT		CUSTOMER DRAWING	
FINISH		SCALE		4:1	
		SHEET		1 OF 1	
		REV		B3	

Looking for pricing, stock, or lifecycle information?

Click below to explore more details on WIN SOURCE:

 [View 5406544-2 on WIN SOURCE](#)

 [TE Connectivity](#) Information

Optimize Your Supply Chain with WIN SOURCE Solutions

-  Global Sourcing Solution
-  Obsolete Management
-  Cost Control Management
-  Shortage Management
-  Alternative Solution
-  Excess Inventory Management