



THE DATASHEET OF
345-045-500-688



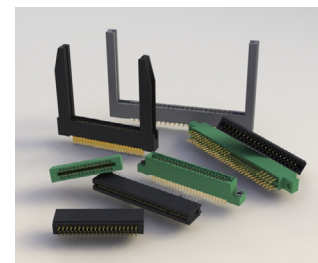
345/395 SERIES



Card Edge Connectors 0.100" (2.54mm) Pitch

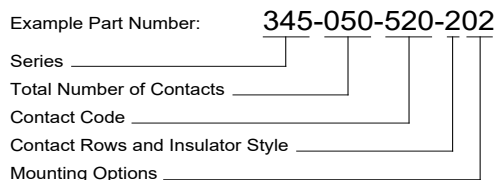
Features:

- 0.100" (2.54mm) contact spacing x 0.200" (5.08mm) row spacing
- Accepts 0.062" (1.57mm) nominal thickness P.C. board
- High profile insulator body, 0.600" (15.24mm)
- Contact termination options include P.C. tail, wire wrap, 90 degree bends and extender board bends
- Single or dual row configurations
- Large variety of mounting options, flush or offset lugs
- Accepts between contact and in-contact polarizing keys
- Pre-assembled card guides are available
- Automatic wire wrap positioning holes
- RoHS Compliant & UL Certified



Specifications:

| | |
|---------------------------------|--|
| Insulator Material | UL 94V-0 Thermoplastic Polyester |
| Contact Material | Copper Alloy |
| Contact Plating | Gold Plating on mating area and Tin Plating on tails with Nickel underplating all over |
| Current Rating | 3 amps |
| Contact Resistance | 10 milliohms maximum |
| Dielectric Withstanding Voltage | 1200 V AC rms at sea level between adjacent contacts |
| Insulation Resistance | 5000 megaohms minimum |
| Operating Temperature | -40°C to +105°C |
| Insertion Force | 16 oz (4.45 N) maximum per contact pair when tested with .070" (1.78mm) thick gauge |
| Withdrawal Force | 1 oz (0.28 N) minimum per contact pair when tested with .054" (1.37mm) thick gauge |



| | | |
|----------------------------------|--------------------------------|-------------------------|
| Series: | Insulator Color: | |
| 345 | Thermoplastic Polyester, Green | |
| 395 | Thermoplastic Polyester, Black | |
| Total Number of Contacts: | Contact Rows: | |
| 005, 006, . . . 072 | Single Row | |
| 010, 012, . . . 144 | Dual Row | |
| Insulator Style: | Description: | Insulator Style |
| 1 | Single Row | Flush Mounting Lugs |
| 2 | Dual Row | Flush Mounting Lugs |
| 4 | Single Row | .110 (2.79) Offset Lugs |
| 5 | Dual Row | .110 (2.79) Offset Lugs |
| 6 | Single Row | .170 (4.32) Offset Lugs |
| 8 | Dual Row | .170 (4.32) Offset Lugs |

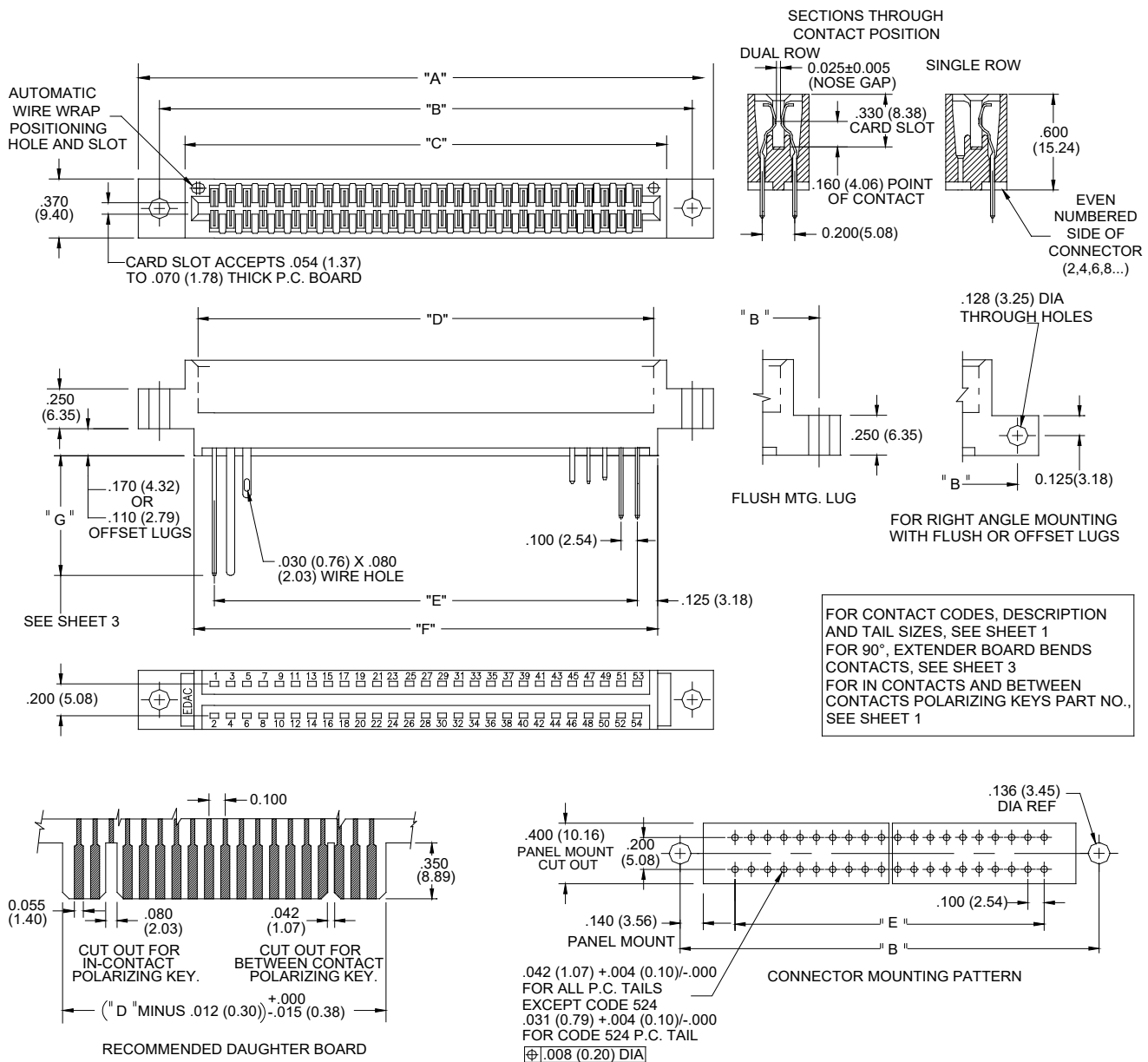
Ordering Code Notes:

- 1) All connector sizes up to 72 contacts single row / 144 contacts dual row are available upon request.
- 2) The 500 contact code is only available in the 345 series. Green Diallyl Phthalate insulator material will be supplied.
- 3) For details of the extender board and 90 degree bends refer to next pages.
- 4) For lug-less connectors, code 01 mounting, specify contact row code 1 or 2.
- 5) For details of the mounting options refer to page 3 & page 4.

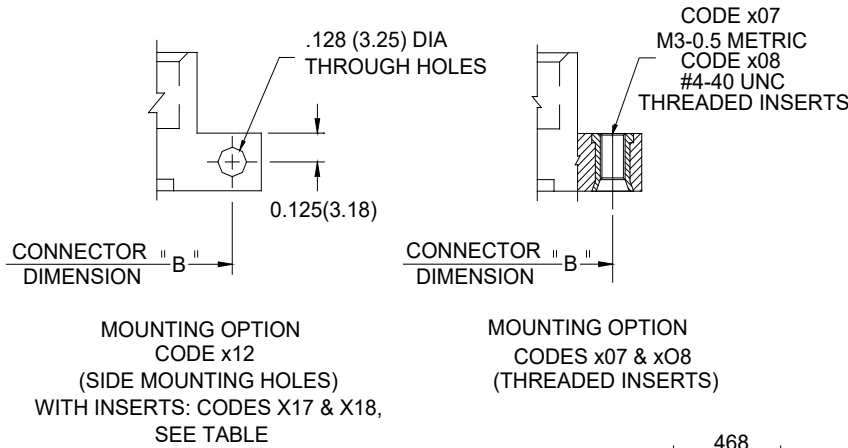
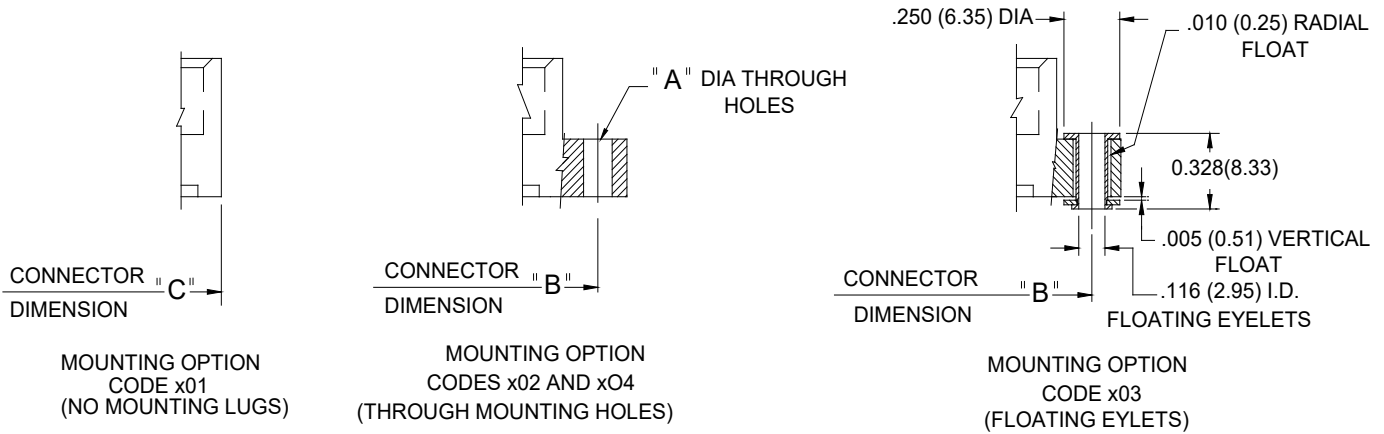
| Contact Code: | Tail Description: | Tail Size: | Tail Length "G": |
|---------------|---------------------|---------------------------|------------------|
| 500 | Wire Hole | .050 x .025 (1.27 x 0.64) | .260 (6.60) |
| 520 | P.C. Tail | .030 x .018 (0.76 x 0.46) | .175 (4.45) |
| 521 | P.C. Tail | .025 Square (0.64 Square) | .150 (3.81) |
| 523 | P.C. Tail | .025 Square (0.64 Square) | .390 (9.91) |
| 524 | P.C. Tail | .018 Square (0.46 Square) | .175 (4.45) |
| 525 | P.C. Tail | .018 Square (0.46 Square) | .150 (3.81) |
| 540 | Wire Wrap | .025 Square (0.64 Square) | .560 (14.22) |
| 541 | Wire Wrap | .025 Square (0.64 Square) | .750 (19.05) |
| 542 | Wire Wrap | .025 Square (0.64 Square) | .645 (16.38) |
| 544 | Wire Wrap | .050 x .025 (1.27 x 0.64) | .750 (19.05) |
| 555 | EXTENDER BOARD BEND | (CODE 500 CONTACTS) | |
| 556 | EXTENDER BOARD BEND | (CODE 520 CONTACTS) | |
| 558 | 90 DEGREE BEND | (CODE 541 CONTACTS) | |
| 559 | 90 DEGREE BEND | (CODE 541 CONTACTS) | |
| 560 | EXTENDER BOARD BEND | (CODE 523 CONTACTS) | |

| Mounting Options: | Description: |
|-------------------|---|
| 01 | No Mounting Lug |
| 02 | Ø.128" (Ø3.25mm) Mounting Holes |
| 03 | Ø.116" (Ø2.95mm) I.D. Floating Eyelets |
| 04 | Ø.156" (Ø3.96mm) Mounting Holes |
| 07 | M3-0.5 Metric Threaded Inserts |
| 08 | #4-40 Unified Threaded Inserts |
| 12 | Ø.128" (Ø3.25mm) Side Mounting Holes |
| 58 | .468" (11.89mm) Offset Card Guides |
| 78 | In-Line Card Guides 2.750" (69.85mm) Long |
| 88 | In-Line Card Guides 1.250" (31.75mm) Long |

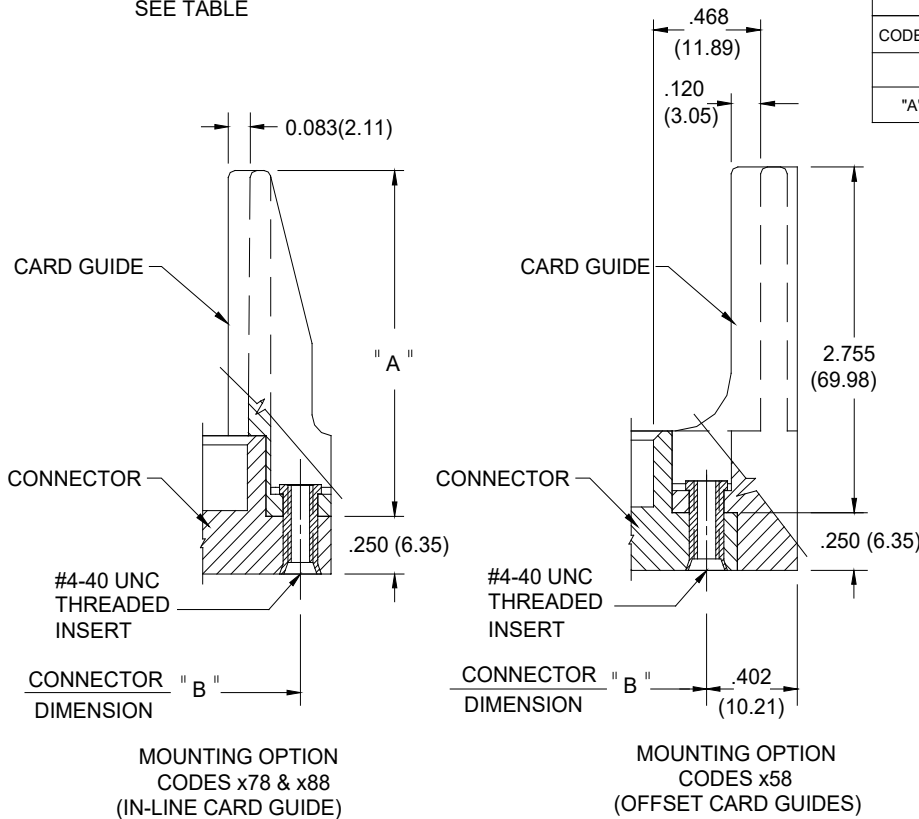
Card Edge Connectors 0.100" (2.54mm) Pitch



| NUMBER OF CONTACTS | | "A"±.015 (±0.38) | | "B"±.010 (±0.25) | | "C"±.015 (±0.38) | | "D"±.010 / -.006 (+0.25/-0.15) | | "E"±.005 (±0.13) | |
|--------------------|--------|------------------|--------|------------------|--------|------------------|--------|--------------------------------|--------|------------------|--------|
| Single | Double | Inch | mm | Inch | mm | Inch | mm | Inch | mm | Inch | mm |
| 5 | 10 | 1.335 | 33.91 | 1.075 | 27.31 | 0.760 | 19.30 | 0.600 | 15.24 | 0.400 | 10.16 |
| 10 | 20 | 1.835 | 46.61 | 1.575 | 40.01 | 1.260 | 32.00 | 1.100 | 27.94 | 0.900 | 22.86 |
| 13 | 26 | 2.135 | 54.23 | 1.875 | 47.63 | 1.560 | 39.62 | 1.400 | 35.56 | 1.200 | 30.48 |
| 15 | 30 | 2.335 | 59.31 | 2.075 | 52.71 | 1.760 | 44.70 | 1.600 | 40.64 | 1.400 | 35.56 |
| 18 | 36 | 2.635 | 66.93 | 2.375 | 60.33 | 2.060 | 52.32 | 1.900 | 48.26 | 1.700 | 43.18 |
| 22 | 44 | 3.035 | 77.09 | 2.775 | 70.49 | 2.460 | 62.48 | 2.300 | 58.42 | 2.100 | 53.34 |
| 25 | 50 | 3.335 | 84.71 | 3.075 | 78.11 | 2.760 | 70.10 | 2.600 | 66.04 | 2.400 | 60.96 |
| 30 | 60 | 3.835 | 97.41 | 3.575 | 90.81 | 3.260 | 82.80 | 3.100 | 78.74 | 2.900 | 73.66 |
| 31 | 62 | 3.935 | 99.95 | 3.675 | 93.35 | 3.360 | 85.34 | 3.200 | 81.28 | 3.000 | 76.20 |
| 36 | 72 | 4.435 | 112.65 | 4.175 | 106.05 | 3.860 | 98.04 | 3.700 | 93.98 | 3.500 | 88.90 |
| 43 | 86 | 5.135 | 130.43 | 4.875 | 123.83 | 4.560 | 115.82 | 4.400 | 111.76 | 4.200 | 106.68 |
| 50 | 100 | 5.835 | 148.21 | 5.575 | 141.61 | 5.260 | 133.60 | 5.100 | 129.54 | 4.900 | 124.46 |
| 60 | 120 | 6.835 | 173.61 | 6.575 | 167.01 | 6.260 | 159.00 | 6.100 | 154.94 | 5.900 | 149.86 |
| 72 | 144 | 8.035 | 204.09 | 7.775 | 197.49 | 7.460 | 189.48 | 7.300 | 185.42 | 7.100 | 180.34 |



| CODE X02 AND X04- THROUGH MTG. HOLES | | |
|--|----------------|--------------|
| | CODE X02 | CODE X04 |
| "A" DIA. | 0.128(3.25) | 0.156(3.96) |
| CODE X07 AND X08- THREADED INSERTS | | |
| | CODE X07 | CODE X08 |
| INSERT | M3-0.5(METRIC) | #4-40 UNC |
| SIDE MOUNTING HOLES WITH INSERTS | | |
| | CODE X17 | CODE X18 |
| INSERT | M3-0.5(METRIC) | #4-40 UNC |
| CODES X78 AND X88- IN-LINE CARD GUIDES | | |
| | CODE X78 | CODE X88 |
| "A" | 2.750(69.85) | 1.250(31.75) |



Looking for pricing, stock, or lifecycle information?

Click below to explore more details on WIN SOURCE:

 [View 345-045-500-688 on WIN SOURCE](#)

 [EDAC Inc. Information](#)

Optimize Your Supply Chain with WIN SOURCE Solutions

-  Global Sourcing Solution
-  Obsolete Management
-  Cost Control Management
-  Shortage Management
-  Alternative Solution
-  Excess Inventory Management