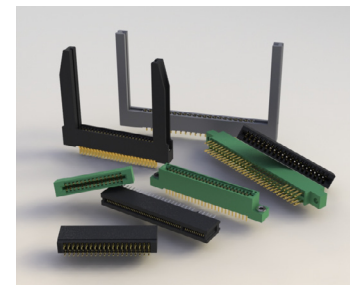


Card Edge Connector 0.156" (3.96mm) Pitch

Features:

- 0.156" (3.96mm) contact spacing x 0.200" (5.08mm) row spacing
- Accepts 0.062" (1.57mm) nominal thickness P.C. board
- Low profile insulator body, 0.473" (12.01mm)
- Contact termination 0.045" (1.14mm) square wire wrap
- Single or dual row configurations
- Large variety of mounting options
- Pre-assembled card guides available
- Accepts between contact and in-contact polarizing keys
- RoHS Compliant



Specifications:

Insulator Material	UL 94V-0 DAP(Diallyl Phthalate), Green Color
Contact Material	Copper Alloy
Contact Plating	Gold plating all over with Nickel underplating
Current Rating	5 amps
Contact Resistance	10 milliohms maximum
Dielectric Withstanding Voltage	1800 V AC rms at sea level between adjacent contacts
Insulation Resistance	5000 megaohms minimum
Operating Temperature	-65°C to +125°C
Insertion Force	16 oz (4.45 N) maximum per contact pair when tested with .070" (1.78mm) thick gauge
Withdrawal Force	1 oz (0.28 N) minimum per contact pair when tested with .054" (1.37mm) thick gauge

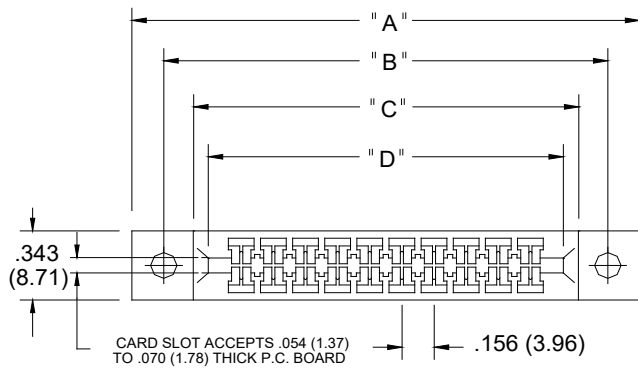
Example Part Number: **338-044-541-208**



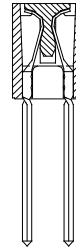
Series:	338		
Total Number of Contacts:	Contact Rows:		
010, 015, 018, 022 or 028	Single Row		
020, 030, 036, 044 or 056	Dual Row		
Contact Code:	Tail Description:	Tail Size:	Tail Length "G":
541	Wire Wrap	.045 Square (1.14 Square)	.730 (18.54)
Contact Rows:	Description:		
1	Single Row		
2	Dual Row		
Mounting Options:	Description:		
01	No Mounting Lug		
02	Ø.128" (Ø3.25mm) Mounting Holes		
03	Ø.116" (Ø2.95mm) I.D. Floating Eyelets		
04	Ø.156" (Ø3.96mm) Mounting Holes		
07	M3-0.5 Metric Threaded Inserts		
08	#4-40 Unified Threaded Inserts		
58	.468" (11.89mm) Offset Card Guides		
68	.344 (8.74) Offset Card Guides		
78	In-Line Card Guides		

Ordering Code Notes:
For details of the mounting options refer to page 3.

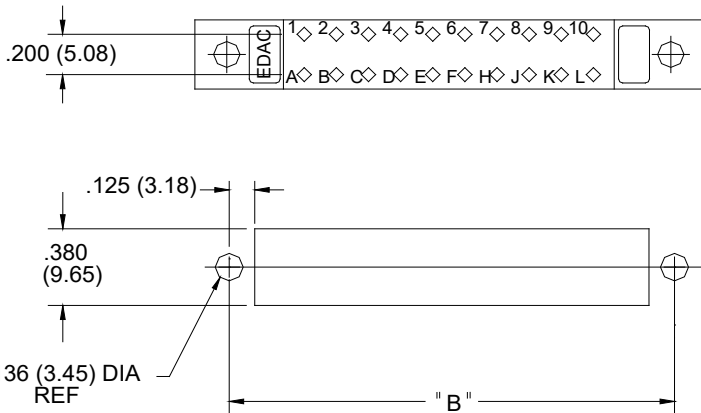
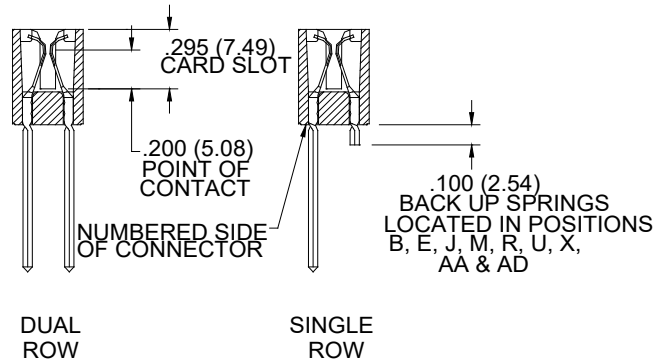
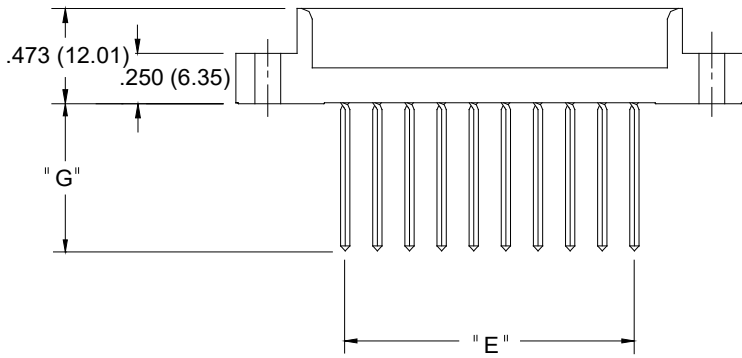
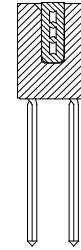
Card Edge Connectors 0.156" (3.96mm) Pitch



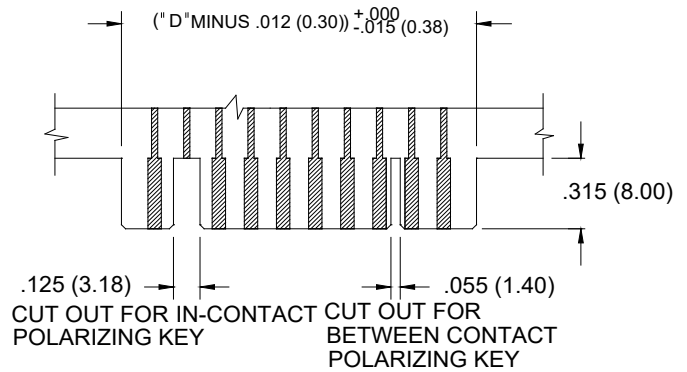
IN-CONTACT
POLARIZING KEY
P/N 338-240-328



BETWEEN CONTACT
POLARIZING KEY
P/N 306-240-318



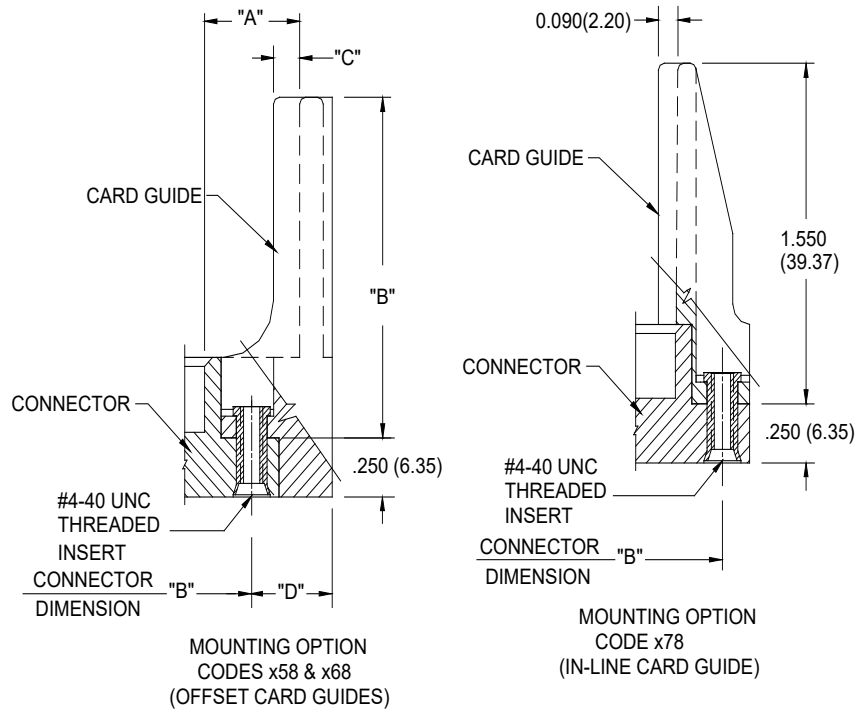
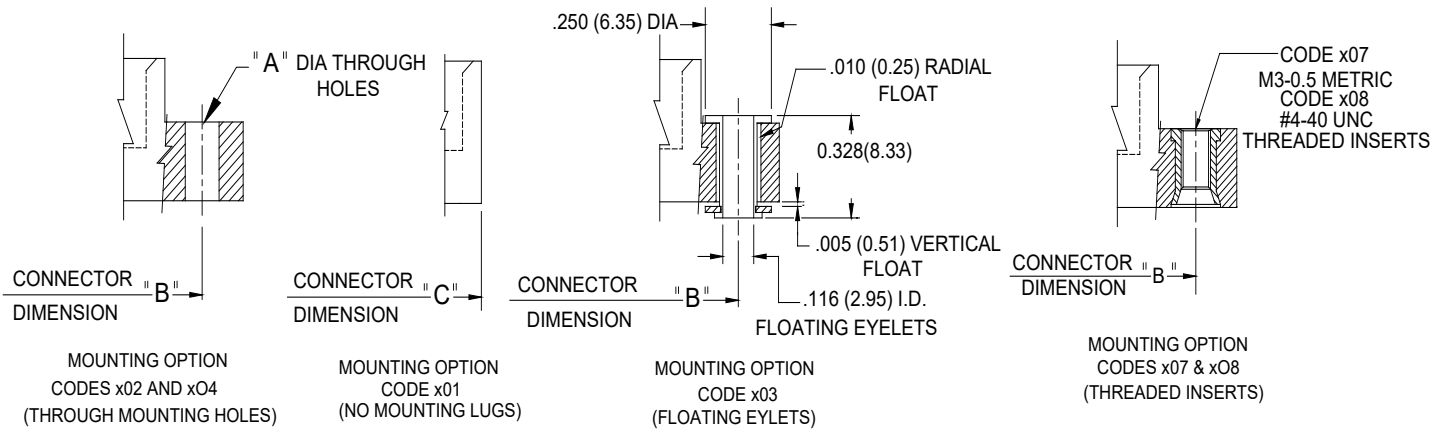
CONNECTOR MOUNTING PATTERN
PANEL MOUNT CUT OUT



RECOMMENDED DAUGHTER BOARD

NUMBER OF CONTACTS		"A"		"B"		"C"		"D"		"E"	
Single	Double	Inch	mm	Inch	mm	Inch	mm	Inch	mm	Inch	mm
10	20	2.466	62.64	2.156	54.76	1.870	47.50	1.724	43.79	1.404	35.66
15	30	3.246	82.45	2.936	74.57	2.650	67.31	2.504	63.60	2.184	55.47
18	36	3.714	94.34	3.404	86.46	3.118	79.20	2.972	75.49	2.652	67.36
22	44	4.338	110.19	4.028	102.31	3.742	95.05	3.596	91.34	3.276	83.21
28	56	5.274	133.96	4.964	126.09	4.678	118.82	4.532	115.11	4.212	106.98


Card Edge Connectors 0.156" (3.96mm) Pitch



CODE X02 AND X04- THROUGH MTG. HOLES			CODES X58 AND X68- OFFSET CARD GUIDES		
	CODE X02	CODE X04		CODE X58	CODE X68
"A" DIA.	0.128(3.25)	0.156(3.96)	"A"	0.468(11.89)	0.344(8.74)
CODE X07 AND X08- THREADED INSERTS			"B"	2.755(69.98)	2.505(63.63)
	CODE X07	CODE X08	"C"	0.125(3.18)	0.060(1.52)
INSERT	M3-0.5(METRIC)	#4-40 UNC	"D"	0.423(10.74)	0.242(6.15)

Looking for pricing, stock, or lifecycle information?

Click below to explore more details on WIN SOURCE:

 [View 338-044-541-202 on WIN SOURCE](#)

 [EDAC Inc. Information](#)

Optimize Your Supply Chain with WIN SOURCE Solutions

-  Global Sourcing Solution
-  Obsolete Management
-  Cost Control Management
-  Shortage Management
-  Alternative Solution
-  Excess Inventory Management