

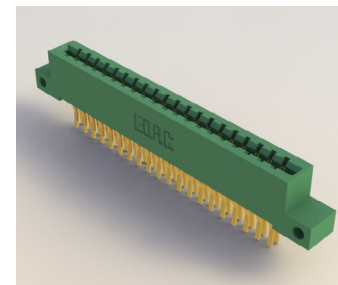
337/387 SERIES



Card Edge Connectors 0.156" (3.96mm) Pitch

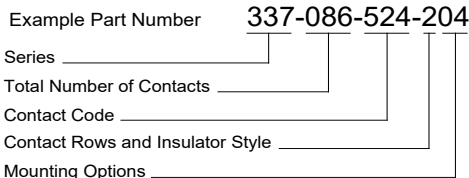
Features:

- 0.156" (3.96mm) contact spacing by 0.200" (5.08mm) row spacing
- Accepts 0.062" (1.57mm) nominal thickness P.C. board
- High profile insulator body, 0.600" (15.24mm)
- Card slot depth 0.330" (8.38mm)
- Contact termination options include P.C. tail, wire hole, wire wrap, 90° and extender board bends
- Single or dual row configurations
- Large variety of mounting options, flush or offset lugs
- Accepts between contact and in-contact polarizing keys
- Pre-assembled card guides are available
- RoHS Compliant & UL certified



Specifications:

Insulator Material	UL 94V-0 Thermoplastic Polyester
Contact Material	Copper Alloy
Contact Plating	Gold Plating on mating area and Tin Plating on tails with Nickel underplating all over
Current Rating	3 amps
Contact Resistance	10 milliohms maximum
Dielectric Withstanding Voltage	1800 V AC rms at sea level between adjacent contacts
Insulation Resistance	5000 megohms minimum
Operating Temperature	-40°C to +105°C
Insertion Force	16 oz (4.45 N) maximum per contact pair when tested with .070" (1.78mm) thick gauge
Withdrawal Force	1 oz (0.28 N) minimum per contact pair when tested with .054" (1.37mm) thick gauge

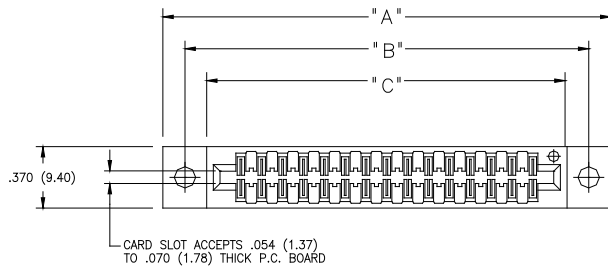


Series:	Insulator Color:	Contact Code:	Tail Description:	Tail Size:	Tail Length "G":
337	Green	500	Wire Hole	.050 x .025 (1.27 x 0.64)	.260 (6.60)
387	Black	520	P.C. Tail	.030 x .018 (0.76 x 0.46)	.175 (4.45)
Total Number of Contacts:	Contact Rows:	521	P.C. Tail	.025 Square (0.64 Square)	.150 (3.81)
006, 007, 043	Single Row	523	P.C. Tail	.025 Square (0.64 Square)	.390 (9.91)
012, 014, 086	Dual Row	524	P.C. Tail	.018 Square (0.46 Square)	.175 (4.45)
Contact Rows:	Insulator Style:	540	Wire Wrap	.025 Square (0.64 Square)	.560 (14.22)
1	Single Row, Flush Mounting Lugs	541	Wire Wrap	.025 Square (0.64 Square)	.750 (19.05)
2	Dual Row, Flush Mounting Lugs	542	Wire Wrap	.025 Square (0.64 Square)	.645 (16.38)
6	Single Row, .170 (4.32) Offset Lugs	544	Wire Wrap	.050 x .025 (1.27 x 0.64)	.750 (19.05)
8	Dual Row, .170 (4.32) Offset Lugs	555	EXTENDER BOARD BEND	(Code 500 Contacts)	
Mounting Options:	Description:	556	EXTENDER BOARD BEND	(Code 520 Contacts)	
01	No Mounting Lug	558	90 DEGREE BEND	(Code 541 Contacts)	
02	Ø.128" (Ø3.25mm) Mounting Holes	559	90 DEGREE BEND	(Code 541 Contacts)	
03	Ø.116" (Ø2.95mm) I.D. Floating Eyelets	560	EXTENDER BOARD BEND	(Code 523 Contacts)	
04	Ø.156" (Ø3.96mm) Mounting Holes				
07	M3-0.5 Metric Threaded Inserts				
08	#4-40 Unified Threaded Inserts				
12	Ø.128" (Ø3.25mm) Side Mounting Holes				
58	.468" (11.89mm) Offset Card Guides				
68	.344" (8.74mm) Offset Card Guides				
78	In-Line Card Guides				

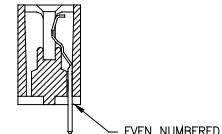
Ordering Code Notes:

- 1) All connector sizes up to 43 contacts single row / 86 contacts dual row are available upon request.
- 2) The 500 contact code is only available in the 337 series. Green Diallyl Phthalate insulator material will be supplied.
- 3) For details of the extender board and 90 degree bends refer to our website.
- 4) For lugless connectors, code 01 mounting, specify contact row code 1 or 2.
- 5) In-line card guides are only available with offset mounting lugs.
- 6) For details of the mounting options refer to next pages.

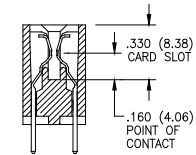
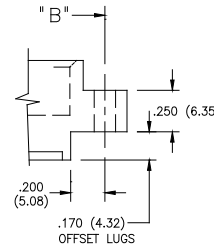
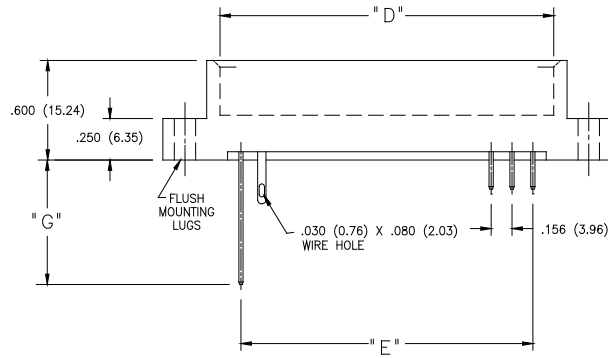
Card Edge Connectors 0.156" (3.96mm) Pitch



SECTIONS THROUGH CONTACT POSITION



SINGLE ROW

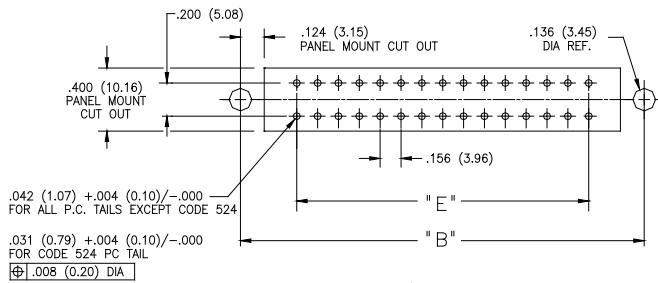
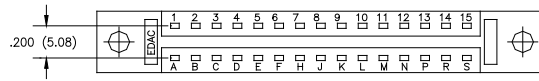
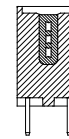


DUAL ROW

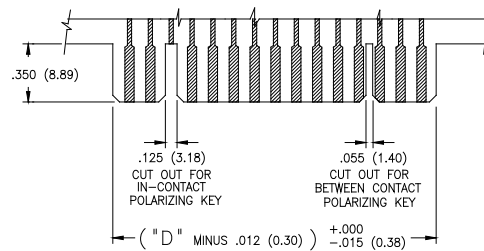
IN-CONTACT POLARIZING KEY
P/N 345-240-328



BETWEEN CONTACT POLARIZING KEY
P/N 306-240-318



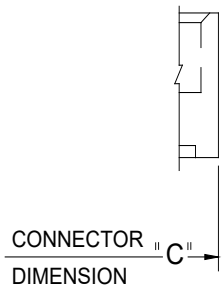
CONNECTOR MOUNTING PATTERN



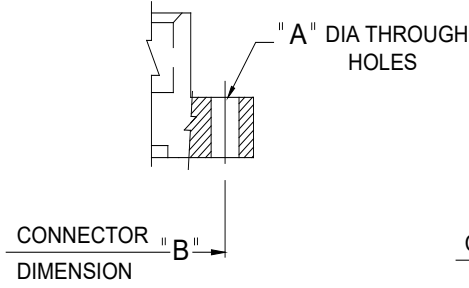
RECOMMENDED DAUGHTER BOARD

NUMBER OF CONTACTS		"A"		"B"		"C"		"D"		"E"	
Single	Double	Inch	mm	Inch	mm	Inch	mm	Inch	mm	Inch	mm
6	12	1.842	46.79	1.532	38.91	1.246	31.65	1.100	27.94	0.780	19.81
10	20	2.466	62.64	2.156	54.76	1.870	47.50	1.724	43.79	1.404	35.66
12	24	2.778	70.56	2.468	62.69	2.182	55.42	2.036	51.71	1.716	43.59
15	30	3.246	82.45	2.936	74.57	2.650	67.31	2.504	63.60	2.184	55.47
18	36	3.714	94.34	3.404	86.46	3.118	79.20	2.972	75.49	2.652	67.36
22	44	4.338	110.19	4.028	102.31	3.742	95.05	3.596	91.34	3.276	83.21
25	50	4.806	122.07	4.496	114.20	4.210	106.93	4.064	103.23	3.744	95.10
26	52	4.962	126.03	4.652	118.16	4.366	110.90	4.220	107.19	3.900	99.06
28	56	5.278	134.06	4.964	126.09	4.678	118.82	4.532	115.11	4.212	106.98
31	62	5.742	145.85	5.432	137.97	5.146	130.71	5.000	127.00	4.680	118.87
33	66	6.054	153.77	5.744	145.90	5.458	138.63	5.312	134.92	4.992	126.80
36	72	6.522	165.66	6.212	157.78	5.926	150.52	5.780	146.81	5.460	138.68
43	86	7.614	193.40	7.304	185.52	7.018	178.26	6.872	174.55	6.552	166.42

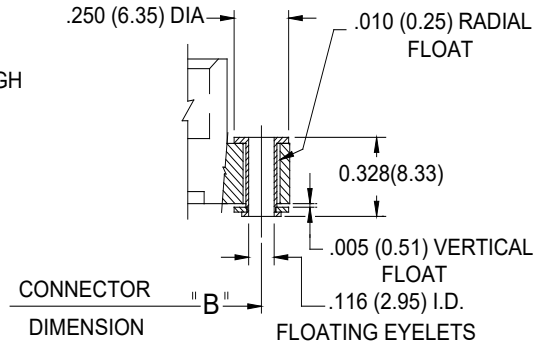
Card Edge Connectors 0.156" (3.96mm) Pitch



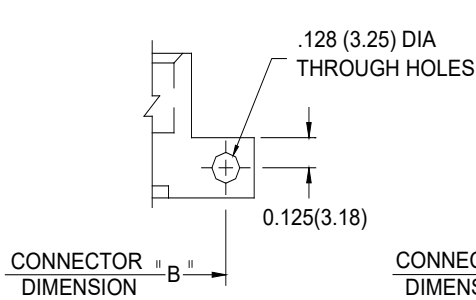
MOUNTING OPTION
CODE x01
(NO MOUNTING LUGS)



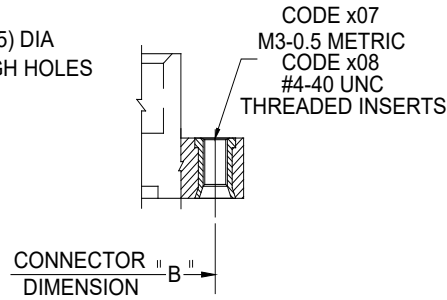
MOUNTING OPTION
CODES x02 AND x04
(THROUGH MOUNTING HOLES)



MOUNTING OPTION
CODE x03
(FLOATING EYELETS)

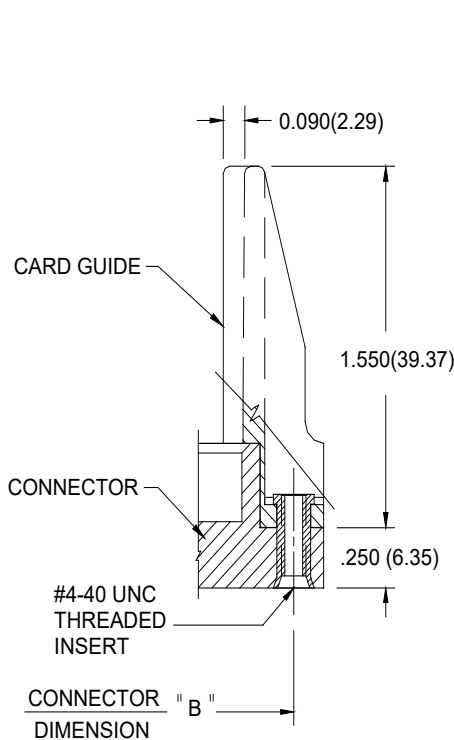


MOUNTING OPTION
CODE x12
(SIDE MOUNTING HOLES)

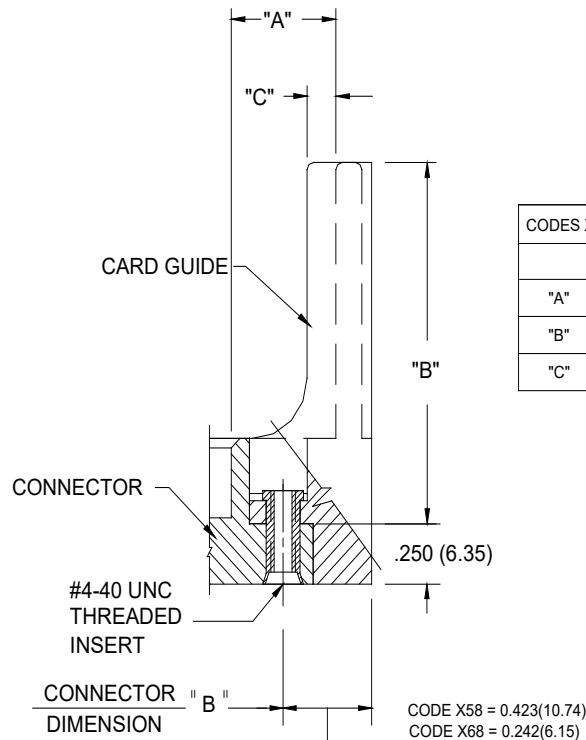


MOUNTING OPTION
CODES x07 & x08
(THREADED INSERTS)

CODE X02 AND X04- THROUGH MTG. HOLES		
	CODE X02	CODE X04
"A" DIA.	0.128(3.25)	0.156(3.96)
CODE X07 AND X08- THREADED INSERTS		
	CODE X07	CODE X08
INSERT	M3-0.5(METRIC)	#4-40 UNC



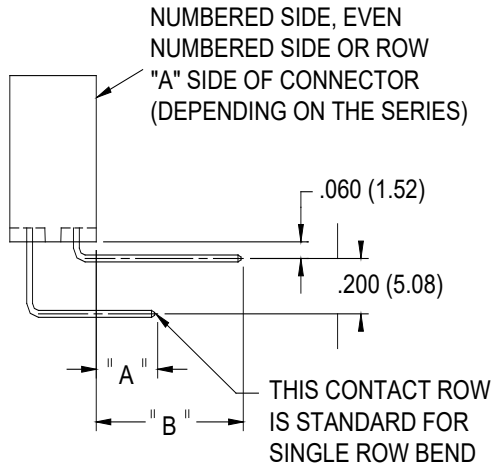
MOUNTING OPTION
CODES x78
(IN-LINE CARD GUIDE)



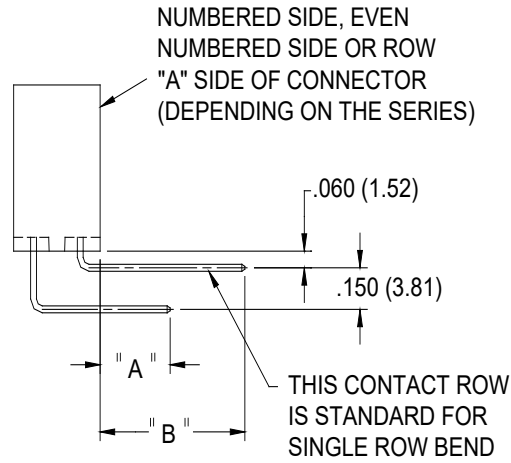
MOUNTING OPTION
CODES x58 & 68
(OFFSET CARD GUIDES)

CODES X58 & X68- OFFSET CARD GUIDES		
	CODE X58	CODE X68
"A"	0.468(11.89)	0.344(8.74)
"B"	2.755(69.98)	2.505(63.63)
"C"	0.125(3.05)	0.060(1.52)

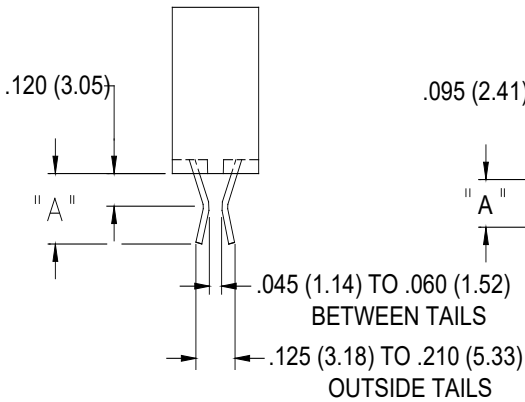
Card Edge Connectors 0.156" (3.96mm) Pitch



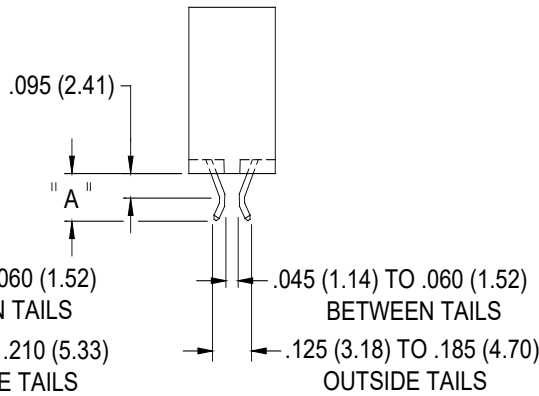
CONTACT CODE 558



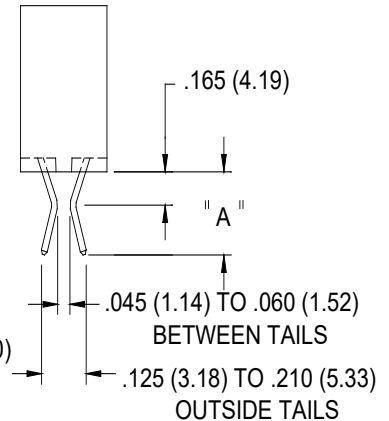
CONTACT CODE 559



CONTACT CODE 555 BEND USES WIRE HOLE CONTACTS



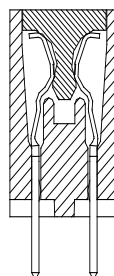
CONTACT CODE 556



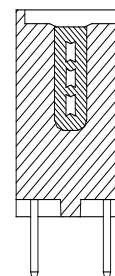
CONTACT CODE 560

MTG. OPTION	A	B
555	0.245(6.22)	
556	0.170(4.32)	
558	0.235(5.97)	0.635(16.13)
559	0.285(7.24)	0.635(16.13)
560	0.375(9.53)	

IN-CONTACT
POLARIZING KEY
P/N 345-240-328




BETWEEN CONTACT
POLARIZING KEY
P/N 306-240-318



Looking for pricing, stock, or lifecycle information?

Click below to explore more details on WIN SOURCE:

 [View 337-022-521-802 on WIN SOURCE](#)

 [EDAC Inc. Information](#)

Optimize Your Supply Chain with WIN SOURCE Solutions

-  Global Sourcing Solution
-  Obsolete Management
-  Cost Control Management
-  Shortage Management
-  Alternative Solution
-  Excess Inventory Management