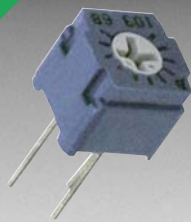




**THE DATASHEET OF**  
**3366X-1-502**



\*ROHS COMPLIANT



**BOURNS®**

## Features

- PC board and bushing mount
- Plastic bushing and plastic shaft
- Withstands typical industry washing processes
- Cermet resistance element
- RoHS compliant\*

# 3366 - 1/4 " Square Trimming Potentiometer

## Electrical Characteristics

Standard Resistance Range  
 .....10 ohms to 2 megohms  
 (see standard resistance table)  
 Resistance Tolerance .....±10 % std.  
 Absolute Minimum Resistance  
 .....1 % or 2 ohms max.  
 (whichever is greater)  
 Contact Resistance Variation  
 .....2 % or 3 ohms max.  
 (whichever is greater)  
 Resolution.....Essentially infinite  
 Insulation Resistance .....500 vdc.  
 1,000 megohms min.  
 Dielectric Strength  
 Sea Level.....900 vac (1 minute)  
 Adjustment Angle .....220 ° nom.

## Environmental Characteristics

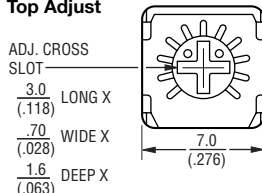
Power Rating (200 volts max.)  
 70 °C.....0.5 watt  
 125 °C.....0 watt  
 Temperature Range  
 .....-55 °C to +125 °C  
 Temperature Coefficient  
 10 ohms to 20 ohms .....±150 ppm/°C  
 50 ohms to 2 megohms...±100 ppm/°C  
 Humidity.....10 cycles, 240 hours  
 TRS ±2 %  
 Vibration .....30 G TRS ±1 %; VRS ±1 %  
 Shock.....100 G TRS ±1 %; VRS ±1 %  
 Load Life .....1,000 hours @ 70 °C  
 rated power  
 Rotational Cycling.....100 cycles

## Physical Characteristics

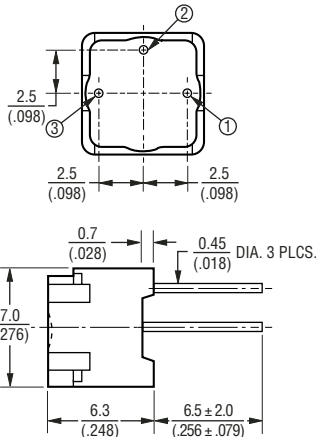
Mechanical Angle .....260 ° nom.  
 Torque .....3.0 oz-in. max.  
 Stop Strength.....7.0 oz -in. min.  
 Weight .....Approximately 0.02 oz.  
 Marking .....Resistance, type and  
 date code  
 Wiper.....Set at 50 % nominal  
 Flammability .....U.L.-94HB  
 Standard Packaging .....50 pcs./tube  
 Adjustment Tool .....H-90

## Product Dimensions

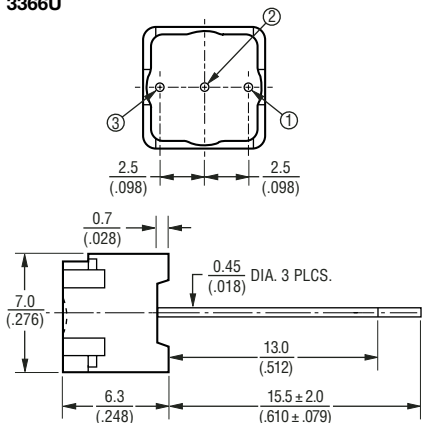
### Common Dimensions Top Adjust



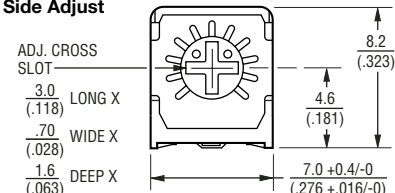
### 3366P



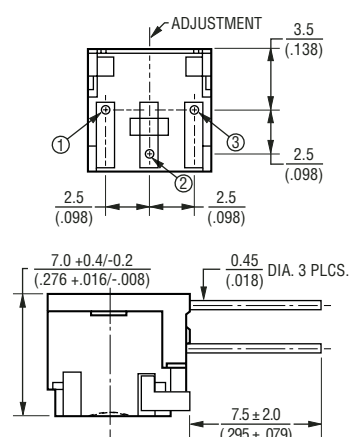
### 3366U



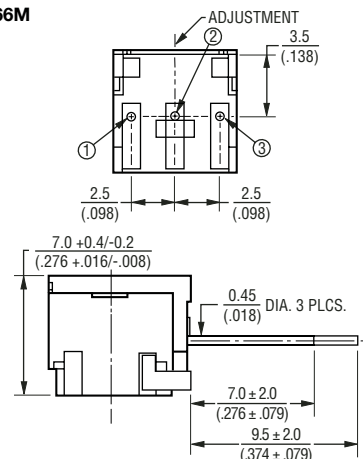
### Common Dimensions Side Adjust



### 3366S

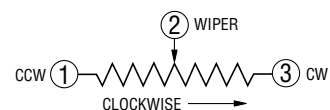


### 3366M



TOLERANCES: ± 0.3 (.012) EXCEPT WHERE NOTED

DIMENSIONS ARE:  $\frac{\text{MM}}{\text{(INCHES)}}$



\*RoHS Directive 2002/95/EC Jan 27 2003 including Annex.  
 Specifications are subject to change without notice.  
 Customers should verify actual device performance in their specific applications.

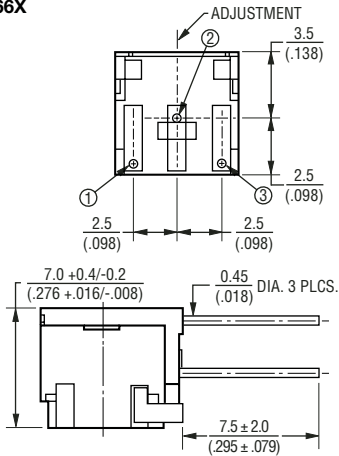
# 3366 - 1/4 " Square Trimming Potentiometer

**BOURNS®**

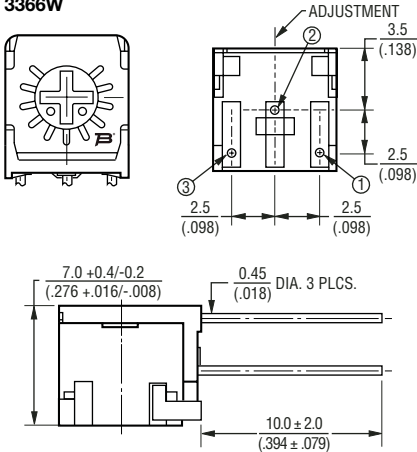
## Product Dimensions

### Top Adjust (Continued)

3366X



3366W



TOLERANCES:  $\pm 0.3$  (.012) EXCEPT WHERE NOTED

DIMENSIONS ARE:  $\frac{\text{MM}}{\text{(INCHES)}}$

## Standard Resistance Table

Resistance (Ohms)	Resistance Code
10	100
20	200
50	500
<b>100</b>	<b>101</b>
<b>200</b>	<b>201</b>
<b>500</b>	<b>501</b>
<b>1,000</b>	<b>102</b>
<b>2,000</b>	<b>202</b>
<b>5,000</b>	<b>502</b>
<b>10,000</b>	<b>103</b>
<b>20,000</b>	<b>203</b>
<b>50,000</b>	<b>503</b>
<b>100,000</b>	<b>104</b>
200,000	204
500,000	504
1,000,000	105
2,000,000	205

Popular resistance values listed in boldface.  
Consult factory for special resistances.

## How to Order



3366 P - 1 - 502 -

Model \_\_\_\_\_  
 Style \_\_\_\_\_  
 Standard or Modified \_\_\_\_\_  
 Product Indicator \_\_\_\_\_  
 -1 = Standard Product  
 Resistance Code \_\_\_\_\_  
 Packaging Designator \_\_\_\_\_  
 Blank = Tube - 50 pcs./tube (Standard)  
 A = Ammo Pack - 1000 pcs./box



## Looking for pricing, stock, or lifecycle information?

Click below to explore more details on WIN SOURCE:

-  [View 3366X-1-502 on WIN SOURCE](#)
-  [Bourns Inc. Information](#)

## Optimize Your Supply Chain with WIN SOURCE Solutions

-  Global Sourcing Solution
-  Obsolete Management
-  Cost Control Management
-  Shortage Management
-  Alternative Solution
-  Excess Inventory Management