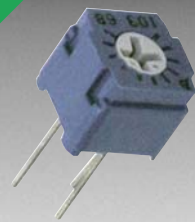




THE DATASHEET OF
3366P-1-503



*ROHS COMPLIANT



BOURNS®

Features

- PC board and bushing mount
- Plastic bushing and plastic shaft
- Withstands typical industry washing processes
- Cermet resistance element
- RoHS compliant*

3366 - 1/4 " Square Trimming Potentiometer

Electrical Characteristics

Standard Resistance Range
10 ohms to 2 megohms
 (see standard resistance table)
 Resistance Tolerance±10 % std.
 Absolute Minimum Resistance
1 % or 2 ohms max.
 (whichever is greater)
 Contact Resistance Variation
2 % or 3 ohms max.
 (whichever is greater)
 Resolution.....Essentially infinite
 Insulation Resistance500 vdc.
 1,000 megohms min.
 Dielectric Strength
 Sea Level.....900 vac (1 minute)
 Adjustment Angle220 ° nom.

Environmental Characteristics

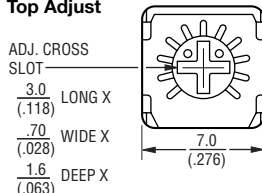
Power Rating (200 volts max.)
 70 °C.....0.5 watt
 125 °C.....0 watt
 Temperature Range
-55 °C to +125 °C
 Temperature Coefficient
 10 ohms to 20 ohms±150 ppm/°C
 50 ohms to 2 megohms...±100 ppm/°C
 Humidity.....10 cycles, 240 hours
 TRS ±2 %
 Vibration30 G TRS ±1 %; VRS ±1 %
 Shock.....100 G TRS ±1 %; VRS ±1 %
 Load Life1,000 hours @ 70 °C
 rated power
 Rotational Cycling.....100 cycles

Physical Characteristics

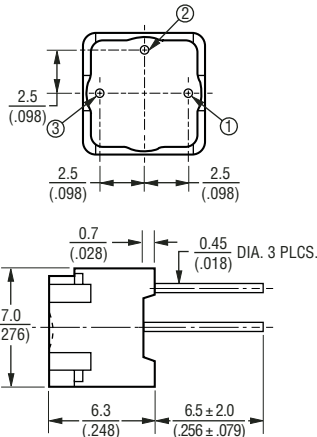
Mechanical Angle260 ° nom.
 Torque3.0 oz-in. max.
 Stop Strength.....7.0 oz -in. min.
 WeightApproximately 0.02 oz.
 MarkingResistance, type and
 date code
 Wiper.....Set at 50 % nominal
 FlammabilityU.L.-94HB
 Standard Packaging50 pcs./tube
 Adjustment ToolH-90

Product Dimensions

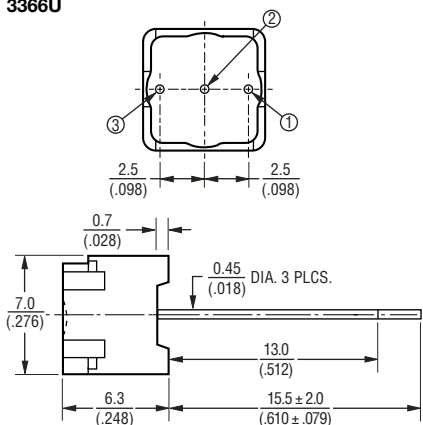
Common Dimensions Top Adjust



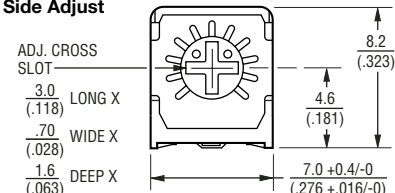
3366P



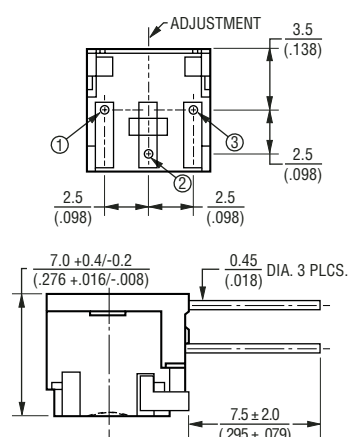
3366U



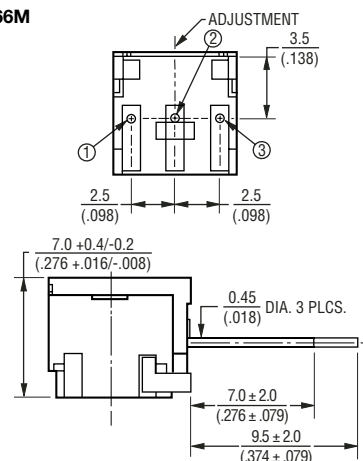
Common Dimensions Side Adjust



3366S

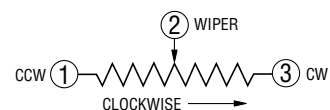


3366M



TOLERANCES: ± 0.3 (.012) EXCEPT WHERE NOTED

DIMENSIONS ARE: $\frac{\text{MM}}{\text{(INCHES)}}$



*RoHS Directive 2002/95/EC Jan 27 2003 including Annex.
 Specifications are subject to change without notice.
 Customers should verify actual device performance in their specific applications.

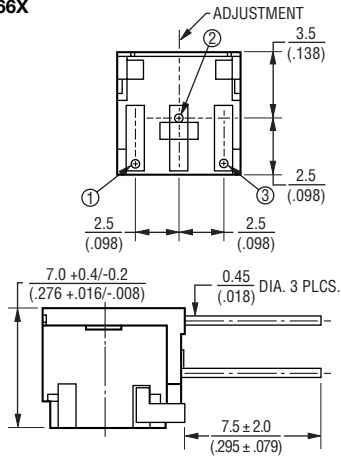
3366 - 1/4 " Square Trimming Potentiometer

BOURNS®

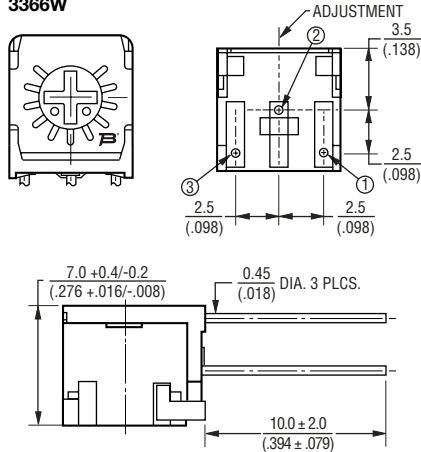
Product Dimensions

Top Adjust (Continued)

3366X



3366W



TOLERANCES: ± 0.3 (.012) EXCEPT WHERE NOTED

DIMENSIONS ARE: $\frac{\text{MM}}{\text{(INCHES)}}$

Standard Resistance Table

Resistance (Ohms)	Resistance Code
10	100
20	200
50	500
100	101
200	201
500	501
1,000	102
2,000	202
5,000	502
10,000	103
20,000	203
50,000	503
100,000	104
200,000	204
500,000	504
1,000,000	105
2,000,000	205

Popular resistance values listed in boldface.
Consult factory for special resistances.

How to Order

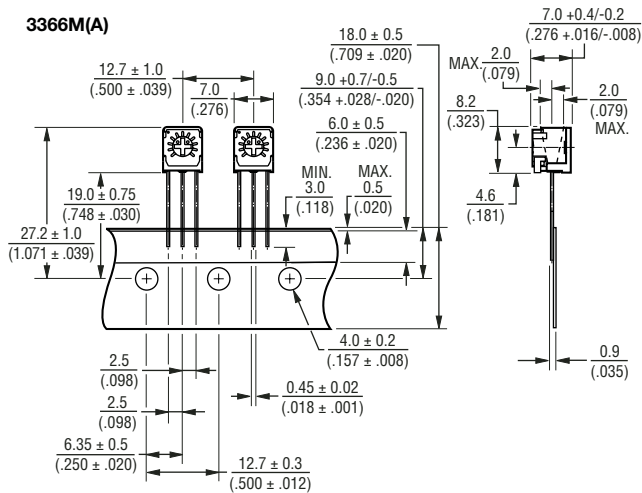
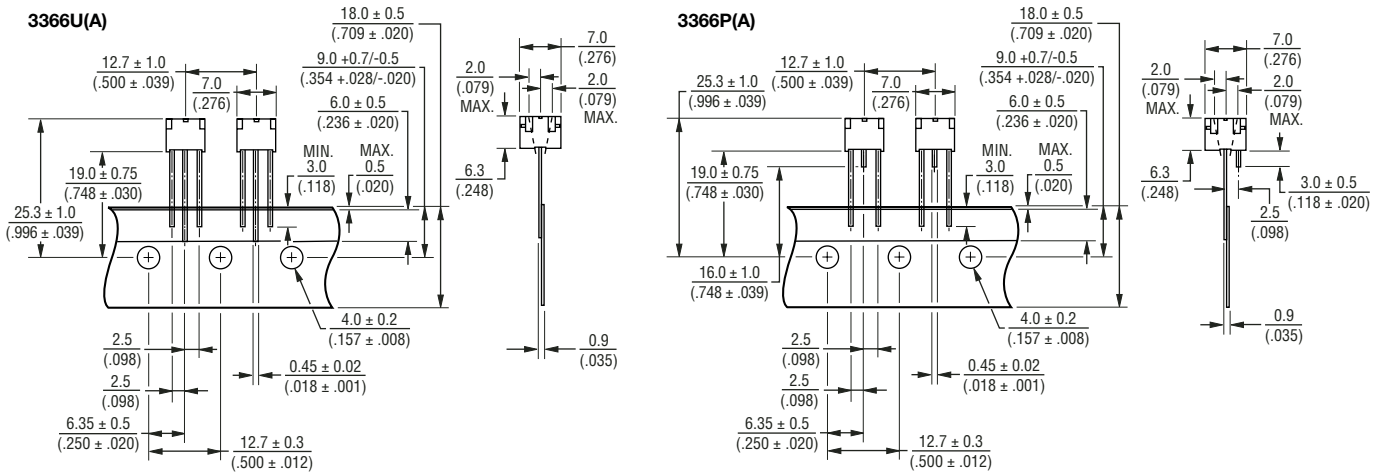
3366 P - 1 - 502 -

Model _____
 Style _____
 Standard or Modified _____
 Product Indicator _____
 -1 = Standard Product
 Resistance Code _____
 Packaging Designator _____
 Blank = Tube - 50 pcs./tube (Standard)
 A = Ammo Pack - 1000 pcs./box

3366 - 1/4 " Square Trimming Potentiometer

BOURNS®

Packaging Specifications



DIMENSIONS ARE: $\frac{\text{MM}}{\text{(INCHES)}}$

TOLERANCES: ± 0.3 (.012)
EXCEPT WHERE NOTED

Meets EIA Specification 468.



Reliable Electronic Solutions

Asia-Pacific:

Tel: +886-2 2562-4117 • Fax: +886-2 2562-4116

Europe:

Tel: +41-41 768 5555 • Fax: +41-41 768 5510

The Americas:

Tel: +1-951 781-5500 • Fax: +1-951 781-5700

www.bourns.com

Looking for pricing, stock, or lifecycle information?

Click below to explore more details on WIN SOURCE:

 [View 3366P-1-503 on WIN SOURCE](#)

 [Bourns Inc. Information](#)

Optimize Your Supply Chain with WIN SOURCE Solutions

-  Global Sourcing Solution
-  Obsolete Management
-  Cost Control Management
-  Shortage Management
-  Alternative Solution
-  Excess Inventory Management