

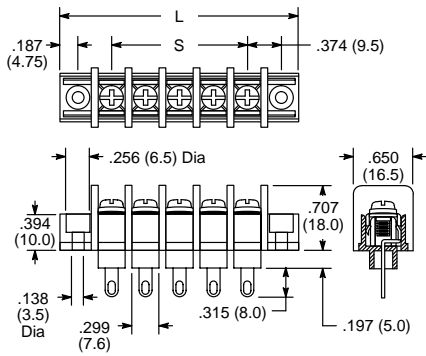


THE DATASHEET OF
25-B300-10



TERMINAL BLOCK BARRIER STRIPS

25-B100 Series Solder Lug Type



Note: $L = .374 (9.5) \times (P+1) + .374 (9.5)$
 $S = .374 (9.5) \times (P-1)$

Pitch: 9.5mm

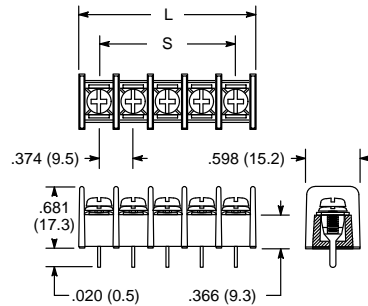
Specifications

Approval	
Rated Voltage	300V
Rated Current	25A
Solid Wire (AWG)	22 - 12
Stranded Wire (AWG/mm ²)	22 - 12
Torque (Kg-cm)	13.8
Screw Type	M3.5

Ordering Information

Number of Poles	NTE Part Number
02	25-B100-02
03	25-B100-03
04	25-B100-04
06	25-B100-06
08	25-B100-08
10	25-B100-10
12	25-B100-12

25-B200 Series PC Mount



Note: $L = .374 (9.5) \times (P-1) + .441 (11.2)$
 $S = .374 (9.5) \times (P-1)$

Pitch: 9.5mm

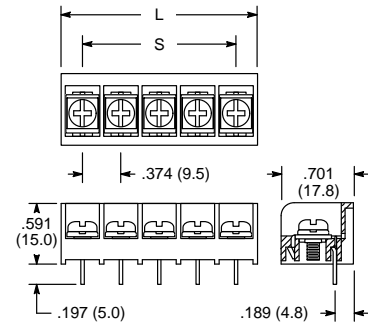
Specifications

Approval	
Rated Voltage	300V
Rated Current	25A
Solid Wire (AWG)	22 - 12
Stranded Wire (AWG/mm ²)	22 - 12
Torque (Kg-cm)	13.8
Screw Type	#6-32

Ordering Information

Number of Poles	NTE Part Number
02	25-B200-02
04	25-B200-04
06	25-B200-06
08	25-B200-08
10	25-B200-10
12	25-B200-12

25-B300 Series Tri-Barrier PC Mount



Note: $L = .374 (9.5) \times (P-1) + .421 (10.7)$
 $S = .374 (9.5) \times (P-1)$

Pitch: 9.5mm

Specifications

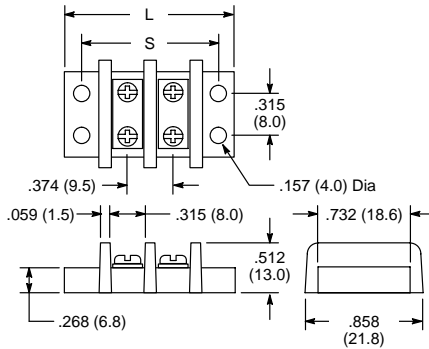
Approval	
Rated Voltage	300V
Rated Current	25A
Solid Wire (AWG)	22 - 12
Stranded Wire (AWG/mm ²)	22 - 12
Torque (Kg-cm)	13.8
Screw Type	#6-32

Ordering Information

Number of Poles	NTE Part Number
02	25-B300-02
03	25-B300-03
04	25-B300-04
06	25-B300-06
08	25-B300-08
10	25-B300-10
12	25-B300-12

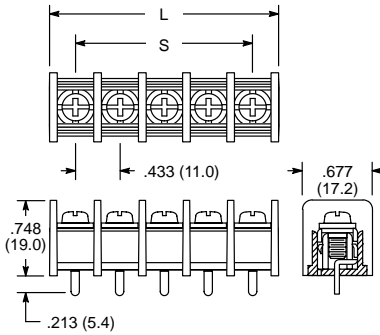
TERMINAL BLOCK BARRIER STRIPS

25-B500 Series Dual Row Panel Mount



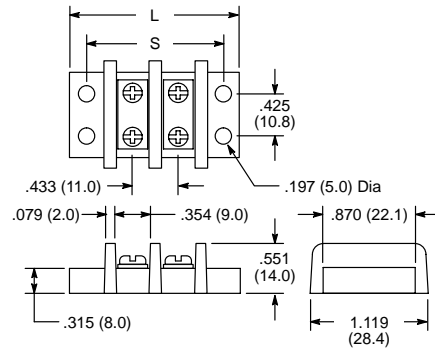
Note: $L = .374 (9.5) \times (P+1) + .295 (7.5)$
 $S = .374 (9.5) \times (P+1) + .020 (0.5)$

25-B400 Series PC Mount



Note: $L = .433 (11.0) \times (P-1) + .512 (13.0)$
 $S = .433 (11.0) \times (P-1)$


25-B600 Series Dual Row Panel Mount



Note: $L = .433 (11.0) \times (P-1) + 1.197 (30.4)$
 $S = .433 (11.0) \times (P-1) + .866 (22.0)$



Pitch: 9.5mm

Specifications

Approval	c  us
Rated Voltage	300V
Rated Current	20A
Solid Wire (AWG)	22 - 14
Stranded Wire (AWG/mm ²)	22 - 14
Torque (in-lb)	12
Screw Type	M3.5


Pitch: 11mm

Specifications

Approval	c  us 
Rated Voltage	300V
Rated Current	25A
Solid Wire (AWG)	22 - 12
Stranded Wire (AWG/mm ²)	22 - 12
Torque (Kg-cm)	18.4
Screw Type	M4

Pitch: 11mm

Specifications

Approval	c  us
Rated Voltage	300V
Rated Current	25A
Solid Wire (AWG)	22 - 12
Stranded Wire (AWG/mm ²)	22 - 12
Torque (in-lb)	12
Screw Type	M3.5

Ordering Information

Number of Poles	NTE Part Number	Number of Poles	NTE Part Number
02	25-B500-02	11	25-B500-11
03	25-B500-03	12	25-B500-12
04	25-B500-04	14	25-B500-14
05	25-B500-05	15	25-B500-15
06	25-B500-06	16	25-B500-16
07	25-B500-07	18	25-B500-18
08	25-B500-08	20	25-B500-20
09	25-B500-09	22	25-B500-22
10	25-B500-10	24	25-B500-24

Ordering Information

Number of Poles	NTE Part Number
02	25-B400-02
03	25-B400-03
04	25-B400-04
06	25-B400-06
08	25-B400-08
10	25-B400-10
12	25-B400-12

Ordering Information

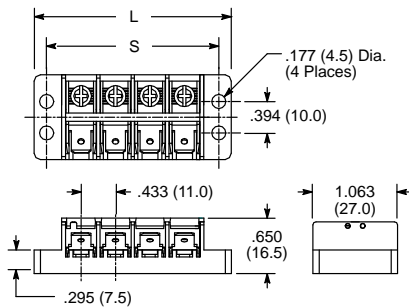
Number of Poles	NTE Part Number	Number of Poles	NTE Part Number
02	25-B600-02	12	25-B600-12
03	25-B600-03	14	25-B600-14
04	25-B600-04	15	25-B600-15
05	25-B600-05	16	25-B600-16
06	25-B600-06	20	25-B600-20
07	25-B600-07	22	25-B600-22
08	25-B600-08	24	25-B600-24
09	25-B600-09		
10	25-B600-10		

TERMINAL BLOCK BARRIER STRIPS

25-B610 Series Dual Row Panel Mount

Features

- Wire-to-Wire Types
- Screw to .250" Q.C. Configuration
- Available with Optional Fixed-Type (PC) or Flip-Type (FC) Protective Covers



Note: $L = .433 (11.0) \times (P-1) + 1.181 (30.0)$
 $S = .433 (11.0) \times (P-1) + .866 (22.0)$

Pitch: 11mm

Specifications

Approval	
Rated Voltage	300V
Rated Current	20A
Solid Wire (AWG)	18 - 10
Stranded Wire (AWG/mm ²)	22 - 14
Torque (in-lb)	10.6
Screw Type	M4

Ordering Information

Number of Poles	NTE Part Number	Number of Poles	NTE Part Number
02	25-B610-02	06	25-B610-06
03	25-B610-03	07	25-B610-07
04	25-B610-04	08	25-B610-08
05	25-B610-05	09	25-B610-09

Accessories

MTE Part Number	Description
25-B610-PCx	Fixed-Type Protective Cover
25-B610-FCx	Flip-Type Protective Cover

Note: Either type cover will fit the specific Barrier Strip. Simply replace the "x" in the device number with corresponding number of poles for the correct cover size.

25-B610 Series Protective Covers

Features

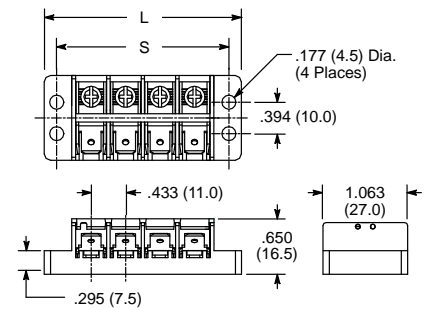
- Either Type Cover will fit the Specific Barrier Strip
- Fixed-Type Protective Cover (PC Suffix)
- Flip-Type Protective Cover (FC Suffix)



25-B610 Series Combinations

Features

- Screw to .250" Q.C. Configuration
- Includes either Fixed-Type (PC Suffix) or Flip-Type (FC Suffix) Protective Cover



Note: $L = .433 (11.0) \times (P-1) + 1.181 (30.0)$
 $S = .433 (11.0) \times (P-1) + .866 (22.0)$

Pitch: 11mm

Specifications

Approval	
Rated Voltage	300V
Rated Current	20A
Solid Wire (AWG)	18 - 10
Stranded Wire (AWG/mm ²)	22 - 14
Torque (in-lb)	10.6
Screw Type	M4

Ordering Information

Number of Poles	NTE Part Number	
	Fixed-Type Protective Cover	Flip-Type Protective Cover
02	25-B610-02-PC	25-B610-02-FC
04	25-B610-04-PC	25-B610-04-FC
06	25-B610-06-PC	25-B610-06-FC
08	25-B610-08-PC	25-B610-08-FC

Ordering Information

Protective Cover

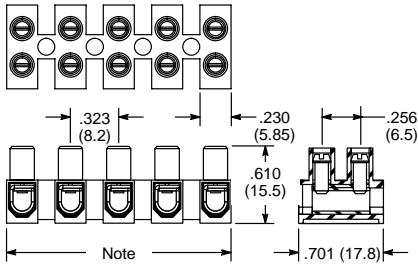
Number of Poles	NTE Part Number	Number of Poles	NTE Part Number
02	25-B610-PC2	06	25-B610-PC6
03	25-B610-PC3	07	25-B610-PC7
04	25-B610-PC4	08	25-B610-PC8
05	25-B610-PC5	09	25-B610-PC9

Flip-Type Protective Cover

Number of Poles	NTE Part Number	Number of Poles	NTE Part Number
02	25-B610-FC2	06	25-B610-FC6
03	25-B610-FC3	07	25-B610-FC7
04	25-B610-FC4	08	25-B610-FC8
05	25-B610-FC5	09	25-B610-FC9

EURO-STYLE BARRIER STRIPS

25-E2000 Series



Note: $.323 (8.2) \times (P-1) + .230 (5.85)$

Pitch: 8.2mm

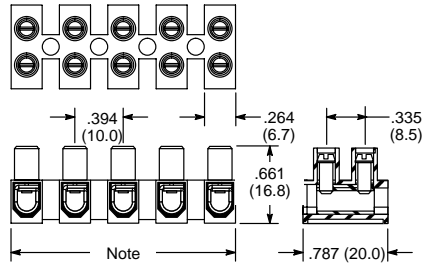
Specifications

Approval	
Rated Voltage	300V
Rated Current	20A
Wire Range	-
Solid Wire (AWG)	20 - 12
Stranded Wire (AWG/mm ²)	20 - 12
Rated Surge Voltage	6kV
Torque (Lb-in)	3.5
Screw Type	M2.5
Wire Strip Length	.315 (8mm)

Ordering Information

Number of Poles	NTE Part Number
12	25-E2000-12

25-E2100 Series



Note: $.394 (10.0) \times (P-1) + .264 (6.7)$

Pitch: 10mm

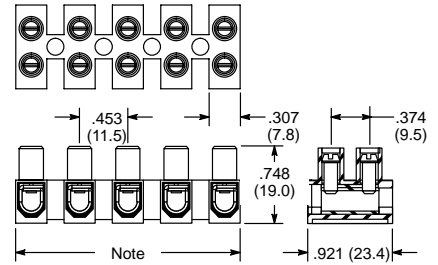
Specifications

Approval	
Rated Voltage	300V
Rated Current	30A
Wire Range	-
Solid Wire (AWG)	18 - 10
Stranded Wire (AWG/mm ²)	18 - 10
Rated Surge Voltage	6kV
Torque (Lb-in)	4.4
Screw Type	M3
Wire Strip Length	.315 (8mm)

Ordering Information

Number of Poles	NTE Part Number
12	25-E2100-12

25-E2200 Series



Note: $.453 (11.5) \times (P-1) + .307 (7.8)$

Pitch: 11.5mm

Specifications

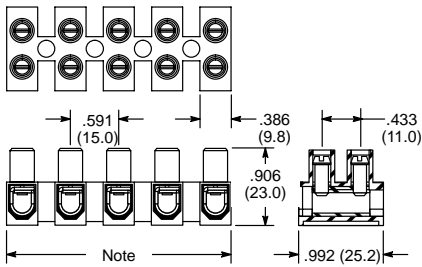
Approval	
Rated Voltage	300V
Rated Current	50A
Wire Range	-
Solid Wire (AWG)	14 - 8
Stranded Wire (AWG/mm ²)	14 - 8
Rated Surge Voltage	6kV
Torque (Lb-in)	7.1
Screw Type	M3.5
Wire Strip Length	.315 (8mm)

Ordering Information

Number of Poles	NTE Part Number
12	25-E2200-12

EURO-STYLE BARRIER STRIPS

25-E2300 Series



Note: $.591 (15.0) \times (P-1) + .386 (9.8)$

Pitch: 15mm

Specifications

Approval	
Rated Voltage	300V
Rated Current	30A
Wire Range	-
Solid Wire (AWG)	12 - 10
Stranded Wire (AWG/mm ²)	12 - 10
Rated Surge Voltage (UL/Max.)	6kV
Torque (Lb-in)	10.6
Screw Type	M4
Wire Strip Length	.315 (8mm)


Ordering Information

Number of Poles	NTE Part Number
12	25-E2300-12

Looking for pricing, stock, or lifecycle information?

Click below to explore more details on WIN SOURCE:

 [View 25-B300-10 on WIN SOURCE](#)

 [NTE Information](#)

Optimize Your Supply Chain with WIN SOURCE Solutions

-  Global Sourcing Solution
-  Obsolete Management
-  Cost Control Management
-  Shortage Management
-  Alternative Solution
-  Excess Inventory Management