



THE DATASHEET OF BQ2057WSNTR



BQ2057, BQ2057x Advanced Linear Charge Management ICs for Single- and Two-Cell Lithium-Ion and Lithium-Polymer

1 Features

- Ideal for single (4.1 V or 4.2 V) and dual-cell (8.2 V or 8.4 V) Li-ion or Li-pol packs
- Requires small number of external components
- 0.3-V dropout voltage for minimizing heat dissipation
- Better than $\pm 1\%$ voltage regulation accuracy with preset voltages
- AutoCompM dynamic compensation of battery pack's internal impedance to reduce charge time
- Optional cell-temperature monitoring before and during charge
- Integrated voltage and current regulation with programmable charge-current and high- or low-side current sensing
- Integrated cell conditioning for reviving deeply discharged cells and minimizing heat dissipation during initial stage of charge
- Charge status output for single or dual led or host processor interface
- Automatic battery-recharge feature
- Charge termination by minimum current
- Automatic low-power sleep mode when V_{CC} is removed
- EVMs available for quick evaluation
- Packaging: 8-pin SOIC, 8-pin TSSOP, 8-pin MSOP

2 Applications

- Emergency Call Systems, Telematics control unit
- Aftermarket Telematics
- Gaming and Computer Accessories
- Portable Medical Equipment
- EPOS Card Reader

3 Description

The BQ2057 series advanced lithium-ion (Li-ion) and lithium-polymer (Li-pol) linear charge-management ICs are designed for cost-sensitive and compact

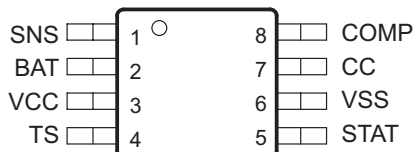
portable electronics. They combine high-accuracy current and voltage regulation, battery conditioning, temperature monitoring, charge termination, charge-status indication, and AutoComp™ charge-rate compensation in a single 8-pin IC. MSOP, TSSOP, and SOIC package options are offered to fit a wide range of end applications.

The BQ2057 continuously measures battery temperature using an external thermistor. For safety, the BQ2057 inhibits charge until the battery temperature is within user-defined thresholds. The BQ2057 then charges the battery in three phases: conditioning, constant current, and constant voltage. If the battery voltage is below the low-voltage threshold, $V_{(min)}$, the BQ2057 precharges using a low current to condition the battery. The conditioning charge rate is approximately 10% of the regulation current. The conditioning current also minimizes heat dissipation in the external pass-element during the initial stage of the charge. After conditioning, the BQ2057 applies a constant current to the battery. An external sense-resistor sets the current. The sense-resistor can be on either the high or low side of the battery without additional components. The constant-current phase continues until the battery reaches the charge-regulation voltage.

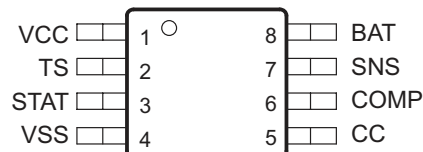
Device Information

PART NUMBER	PACKAGE ⁽¹⁾	BODY SIZE (NOM)
BQ2057C, BQ2057W	SOIC (8)	4.90 mm × 3.91 mm
BQ2057, BQ2057C, BQ2057T, BQ2057W	TSSOP (8)	3.00 mm × 4.40 mm
BQ2057, BQ2057C	MSOP (8) ⁽²⁾	3.00 mm × 3.00 mm

- (1) For all available packages, see the orderable addendum at the end of the datasheet.
- (2) Note the difference in pinout for this device.



BQ2057xSN or BQ2057xTS SOIC (SN) or TSSOP (TS) Package Top View



BQ2057xDGK MSOP DGK Package Top View



Table of Contents

1 Features	1	9.3 Feature Description.....	9
2 Applications	1	10 Application and Implementation	11
3 Description	1	10.1 Application Information.....	11
4 Revision History	2	10.2 Typical Application.....	22
5 Description (continued)	3	11 Power Supply Recommendations	24
6 Device Comparison Table	4	12 Layout	25
7 Pin Configuration and Functions	4	12.1 Layout Guidelines.....	25
8 Specifications	5	12.2 Layout Example.....	26
8.1 Absolute Maximum Ratings.....	5	13 Device and Documentation Support	28
8.2 ESD Ratings.....	5	13.1 Device Support.....	28
8.3 Recommended Operating Conditions.....	5	13.2 Receiving Notification of Documentation Updates.....	28
8.4 Thermal Information.....	5	13.3 Support Resources.....	28
8.5 Electrical Characteristics.....	6	13.4 Trademarks.....	28
8.6 Typical Characteristics.....	8	13.5 Electrostatic Discharge Caution.....	28
9 Detailed Description	9	13.6 Glossary.....	28
9.1 Overview.....	9	14 Mechanical, Packaging, and Orderable Information	29
9.2 Functional Block Diagram.....	9		

4 Revision History

NOTE: Page numbers for previous revisions may differ from page numbers in the current version.

Changes from Revision F (July 2002) to Revision G (December 2022)	Page
• Added ESD Rating table, Feature Description section, Device Functional Modes, Application and Implementation section, Power Supply Recommendations section, Layout section, Device and Documentation Support section, and Mechanical, Packaging, and Orderable Information section.....	1
• Updated Device Comparison Table.....	4
• Added thermal information.....	5
• Added typical characteristics curves.....	8
• Added figure to Section 10.2	22
• Added design requirements.....	22
• Added application curves.....	23
• Added Layout Guidelines subsections.....	25
• Added layout example.....	26

5 Description (continued)

The BQ2057 then begins the constant-voltage phase. The accuracy of the voltage regulation is better than $\pm 1\%$ over the operating-temperature and supply-voltage ranges. For single and dual cells, the BQ2057 is offered in four fixed-voltage versions: 4.1 V, 4.2 V, 8.2 V, and 8.4 V. Charge stops when the current tapers to the charge termination threshold, $I_{(TERM)}$. The BQ2057 automatically restarts the charge if the battery voltage falls below the $V_{(RCH)}$ threshold.

The designer also may use the AutoComp feature to reduce charging time. This proprietary technique allows safe and dynamic compensation for the internal impedance of the battery pack during charge.

6 Device Comparison Table

T _A	PACKAGE			
	CHARGE REGULATION VOLTAGE	SOIC (SN)	TSSOP (TS)	MSOP ⁽¹⁾ (DGK)
-20°C to 70°C	4.1 V	BQ2057SN	BQ2057TS	BQ2057DGK
	4.2 V	BQ2057CSN	BQ2057CTS	BQ2057CDGK
	8.2 V	BQ2057TSN	BQ2057TTS	Not available
	8.4 V	BQ2057WSN	BQ2057WTS	

(1) Note the difference in pinout for this package.

7 Pin Configuration and Functions

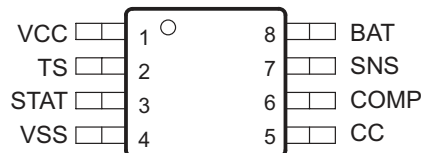
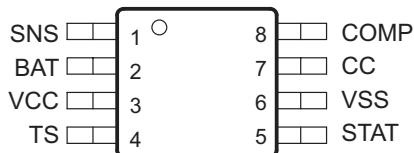


Figure 7-1. BQ2057xSN or BQ2057xTS SOIC (SN) or TSSOP (TS) Package Top View

Figure 7-2. BQ2057xDGK MSOP DGK Package Top View

Table 7-1. Pin Functions-

NAME	PIN		I/O	DESCRIPTION
	NO.			
	SOIC (SN) and TSSOP (TS)	MSOP (DGK)		
BAT	2	8	I	Voltage sense input
CC	7	5	O	Charge control output
COMP	8	6	I	Charge-rate compensation input (AutoComp)
SNS	1	7	I	Current sense input
STAT	5	3	O	Charge status output
TS	4	2	I	Temperature sense input
VCC	3	1	I	Supply voltage
VSS	6	4	-	Ground

8 Specifications

8.1 Absolute Maximum Ratings

over operating free-air temperature range (unless otherwise noted)⁽¹⁾

	MIN	MAX	UNIT
Supply voltage (V_{CC} with respect to GND)	-0.3	18	V
Input voltage, SNS, BAT, TS, COMP (all with respect to GND)	-0.3	$V_{CC}+0.3$	V
Sink current (STAT pin) not to exceed P_D		20	mA
Source current (STAT pin) not to exceed P_D		10	mA
Output current (CC pin) not to exceed P_D		40	mA
P_D Total power dissipation (at 25°C)		300	mW
T_A Operating free-air temperature range	-20	70	°C
T_{stg} Storage temperature	-40	125	°C

- (1) Stresses beyond those listed under *Absolute Maximum Ratings* may cause permanent damage to the device. These are stress ratings only, which do not imply functional operation of the device at these or any other conditions beyond those indicated under *Recommended Operating Conditions*. Exposure to absolute-maximum-rated conditions for extended periods may affect device reliability.

8.2 ESD Ratings

		VALUE	UNIT
$V_{(ESD)}$ Electrostatic discharge	Human-body model (HBM), per ANSI/ESDA/JEDEC JS-001 ⁽¹⁾	±2000	V
	Charged-device model (CDM), per JEDEC specification JESD22-C101 ⁽²⁾	±500	

- (1) JEDEC document JEP155 states that 500-V HBM allows safe manufacturing with a standard ESD control process.
 (2) JEDEC document JEP157 states that 250-V CDM allows safe manufacturing with a standard ESD control process.

8.3 Recommended Operating Conditions

over operating free-air temperature range (unless otherwise noted)

	MIN	NOM	MAX	UNIT
V_{CC} Supply voltage	4.5		15	V
T_A Operating free-air temperature range	-20		70	°C

8.4 Thermal Information

THERMAL METRIC ⁽¹⁾	BQ2057xSN or BQ2057xTS	BQ2057xDGK MSOP	UNIT
	SOIC (SN) or TSSOP (TS) PACKAGE	DGK PACKAGE	
	8 PINS	8 PINS	
$R_{\theta JA}$ Junction-to-ambient thermal resistance	157.1	121.9	°C/W
$R_{\theta JC(top)}$ Junction-to-case (top) thermal resistance	46.5	58.8	°C/W
$R_{\theta JB}$ Junction-to-board thermal resistance	89.6	65.8	°C/W
Ψ_{JT} Junction-to-top characterization parameter	3.3	12.8	°C/W
Ψ_{JB} Junction-to-board characterization parameter	87.4	65.0	°C/W
$R_{\theta JC(bot)}$ Junction-to-case (bottom) thermal resistance	NA	NA	°C/W

- (1) For more information about traditional and new thermal metrics, see the *Semiconductor and IC Package Thermal Metrics* application report, [SPRA953](#).

8.5 Electrical Characteristics

over operating free-air temperature range (unless otherwise noted)

PARAMETER		TEST CONDITIONS	MIN	TYP	MAX	UNIT
$I_{(VCC)}$	V_{CC} Current	$V_{CC} > V_{CC(min)}$, Excluding external loads		2	4	mA
$I_{(VCCS)}$	V_{CC} Sleep current	For BQ2057 and BQ2957C, $V_{(BAT)} \geq V_{(min)}$, $V_{(BAT)} - V_{CC} \geq 0.8$ V		3	6	μ A
		For BQ2057T and BQ2957W, $V_{(BAT)} \geq V_{(min)}$, $V_{(BAT)} - V_{CC} \geq 0.8$ V			10	
$I_{(BAT)}$	Input bias current on BAT pin	$V_{(BAT)} = V_{(REG)}$			1	μ A
$I_{(SNS)}$	Input bias current on SNS pin	$V_{(SNS)} = 5$ V			5	μ A
$I_{(TS)}$	Input bias current on TS pin	$V_{(TS)} = 5$ V			5	μ A
$I_{(COMP)}$	Input bias current on COMP pin	$V_{(COMP)} = 5$ V			5	μ A
BATTERY VOLTAGE REGULATION						
$V_{(O(REG))}$	Output voltage	BQ2057, See (1) (2) (3)	4.059	4.10	4.141	V
		BQ2057C, See (1) (2) (3)	4.158	4.20	4.242	
		BQ2057T, See (1) (2) (3)	8.119	8.20	8.282	
		BQ2057W, See (1) (2) (3)	8.317	8.40	8.484	
CURRENT REGULATION						
$V_{(SNS)}$	Current regulation threshold	BQ2057 and BQ2057C, High-side current sensing configuration	95.4	105	115.5	mV
		BQ2057T and BQ2057W, High-side current sensing configuration	103.6	125	137.5	
		BQ2057 and BQ2057C, Low-side current sensing configuration	100	110	121	
		BQ2057T and BQ2057W, Low-side current sensing configuration	108.1	130	143	
CHARGE TERMINATION DETECTION						
$I_{(TERM)}$	Charge termination current detect threshold	Voltage at pin SNS, relative to V_{CC} for high-side sensing, and to V_{SS} for low-side sensing, $0^{\circ}\text{C} \leq T_A \leq 50^{\circ}\text{C}$	-30	-14	-4	mV
TEMPERATURE COMPARATOR						
$V_{(TS1)}$	Lower temperature threshold	TS pin voltage	29.1	30	30.9	%VCC
$V_{(TS2)}$	Upper temperature threshold		58.3	60	61.8	
PRECHARGE COMPARATOR						
$V_{(min)}$	Precharge threshold	BQ2057	2.94	3	3.06	V
		BQ2057C	3.04	3.1	3.16	
		BQ2057T	5.9	6.1	6.22	
		BQ2057W	6.18	6.3	6.43	
PRECHARGE CURRENT REGULATION						
$I_{(PRECHG)}$	Precharge current regulation	Voltage at pin SNS, relative to V_{CC} for high-side sensing, and to V_{SS} for low-side sensing, $0^{\circ}\text{C} \leq T_A \leq 50^{\circ}\text{C}$		13		mV
		Voltage at pin SNS, relative to V_{CC} for high-side sensing, $0^{\circ}\text{C} \leq T_A \leq 50^{\circ}\text{C}$, $V_{CC} = 5$ V	3	13	22	mV
$V_{(RCH)}$ COMPARATOR (Battery Recharge Threshold)						
$V_{(RCH)}$	Recharge threshold	BQ2057 and BQ2057C	$V_{(O(REG))}^{-} - 98$ mV	$V_{(O(REG))}^{-} - 100$ mV	$V_{(O(REG))}^{-} - 102$ mV	V
		BQ2057T and BQ2057W	$V_{(O(REG))}^{-} - 196$ mV	$V_{(O(REG))}^{-} - 200$ mV	$V_{(O(REG))}^{-} - 204$ mV	V
CHARGE-RATE COMPENSATION (AutoComp)						
$G_{(COMP)}$	AutoComp gain	$V_{(BAT)} + 0.3$ V $\leq V_{CC} \leq V_{CC(max)}$, BQ2057, BQ2057C, BQ2057T, BQ2057W	1.87	2.2	2.53	V/V
		$V_{(BAT)} + 0.3$ V $\leq V_{CC} \leq V_{CC(max)}$, BQ2057T and BQ2057W in low-side sensing configuration	2.09	2.4	2.76	
STAT PIN						

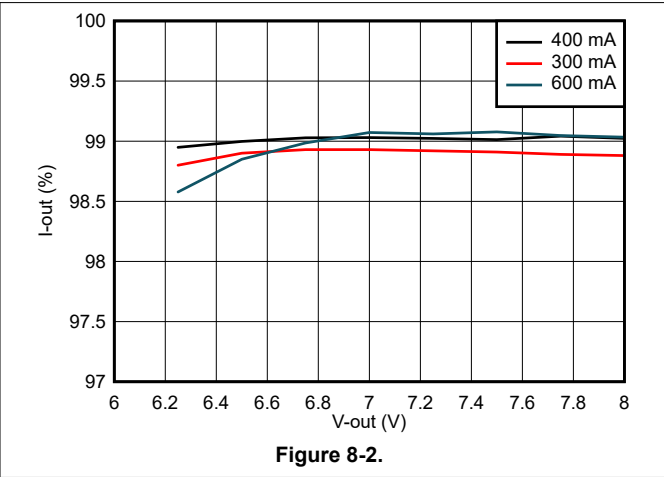
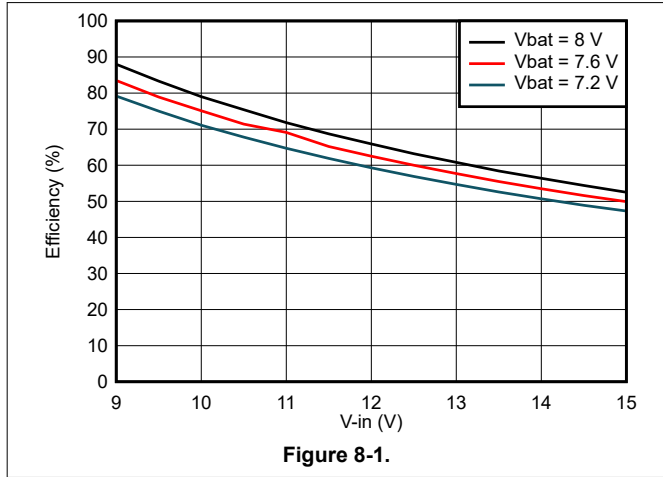
8.5 Electrical Characteristics (continued)

over operating free-air temperature range (unless otherwise noted)

PARAMETER		TEST CONDITIONS	MIN	TYP	MAX	UNIT
$V_{OL(STAT)}$	Output (low) voltage	$I_{OL} = 10 \text{ mA}$			0.7	V
$V_{OH(STAT)}$	Output (high) voltage	$I_{OH} = 5 \text{ mA}$	$V_{CC} - 0.5$			
CC PIN						
$V_{OL(CC)}$	Output low voltage	$I_{O(CC)} = 5 \text{ mA (sink)}$			1.5	V
$I_{O(CC)}$	Sink current	Not to exceed power rating specification (P_D)	5		40	mA

- (1) For high-side current sensing configuration.
- (2) For low-side current sensing configuration, the tolerance is $\pm 1\%$ for $T_A = 25^\circ\text{C}$ and $\pm 1.2\%$ for $-20^\circ\text{C} \geq T_A \geq 70^\circ\text{C}$.
- (3) $V_{(BAT)} + 0.3 \text{ V} \leq V_{CC} \leq V_{CC(max)}$

8.6 Typical Characteristics

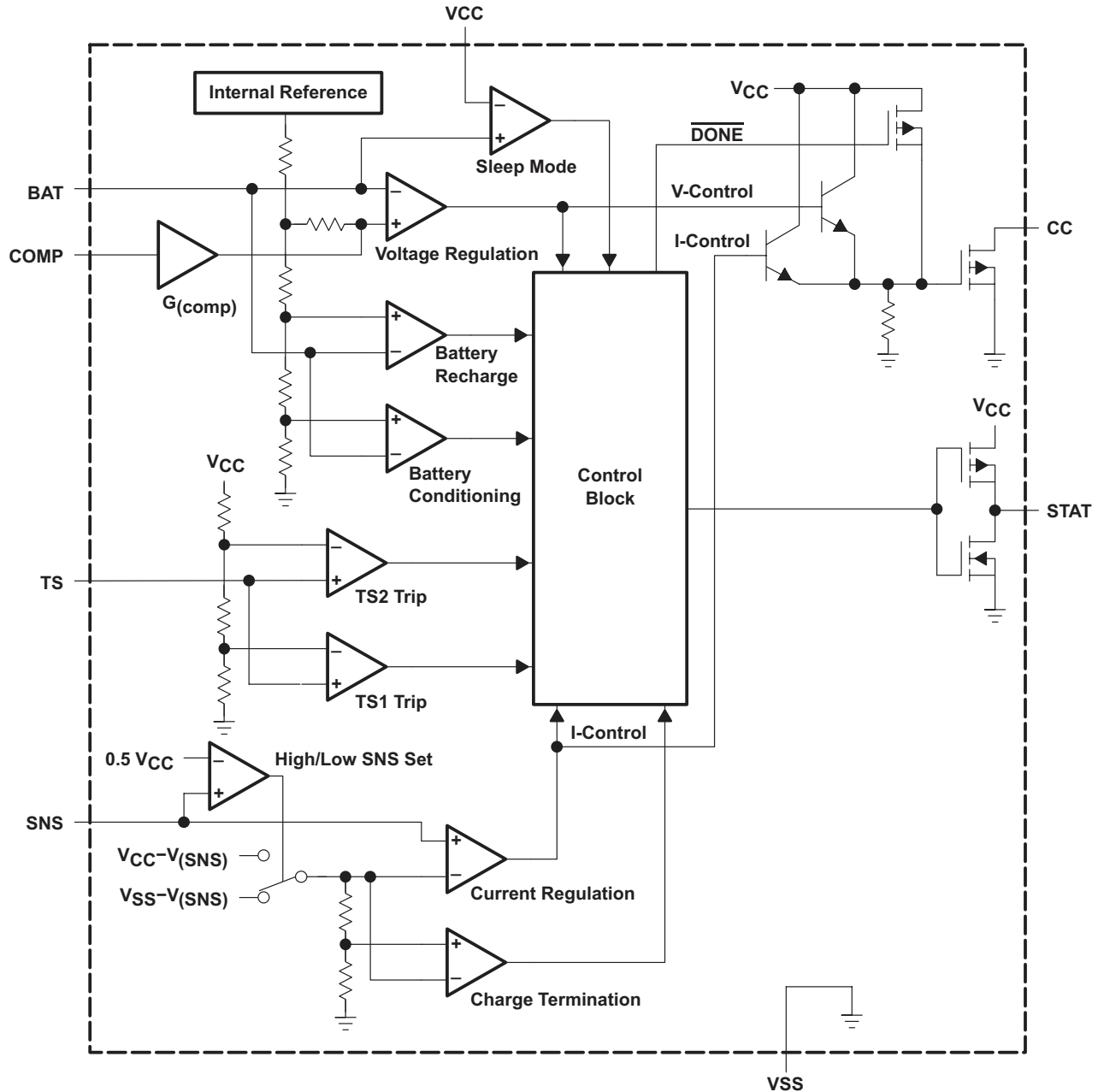


9 Detailed Description

9.1 Overview

Descriptions of the devices are presented in the following sections.

9.2 Functional Block Diagram



9.3 Feature Description

9.3.1 Current-Sense Input

Battery current is sensed via the voltage developed on this pin by an external sense resistor. The external resistor can be placed on either the high or low side of the battery. (See schematics for details.)

9.3.2 Battery-Voltage Input

Voltage sense-input tied directly to the positive side of the battery.

9.3.3 Temperature Sense Input

Input for an external battery-temperature monitoring circuit. Connecting this input to VCC/2 disables this feature.

9.3.4 Charge-status Output

Three-state indication of charge in progress, charge complete, and temperature fault or sleep mode.

9.3.5 Charge-Control Output

Source-follower output that drives an external pass-transistor (PNP or P-channel MOSFET) for current and voltage regulation.

9.3.6 Charge-Rate Compensation Input

Sets the charge-rate compensation level. The voltage-regulation output may be programmed to vary as a function of the charge current delivered to the battery.

9.3.7 Supply Voltage Input

Power supply input and current reference for high-side sensing configuration.

10 Application and Implementation

Note

Information in the following applications sections is not part of the TI component specification, and TI does not warrant its accuracy or completeness. TI's customers are responsible for determining suitability of components for their purposes. Customers should validate and test their design implementation to confirm system functionality.

10.1 Application Information

10.1.1 Functional Description

The BQ2057 is an advanced linear charge controller for single or two-cell Li-Ion or Li-Pol applications. [Figure 10-1](#) shows the schematic of charger using a PNP pass transistor. [Figure 10-2](#) is an operational state diagram, and [Figure 10-3](#) is a typical charge profile. [Figure 10-4](#) shows the schematic of a charger using P-channel MOSFET.

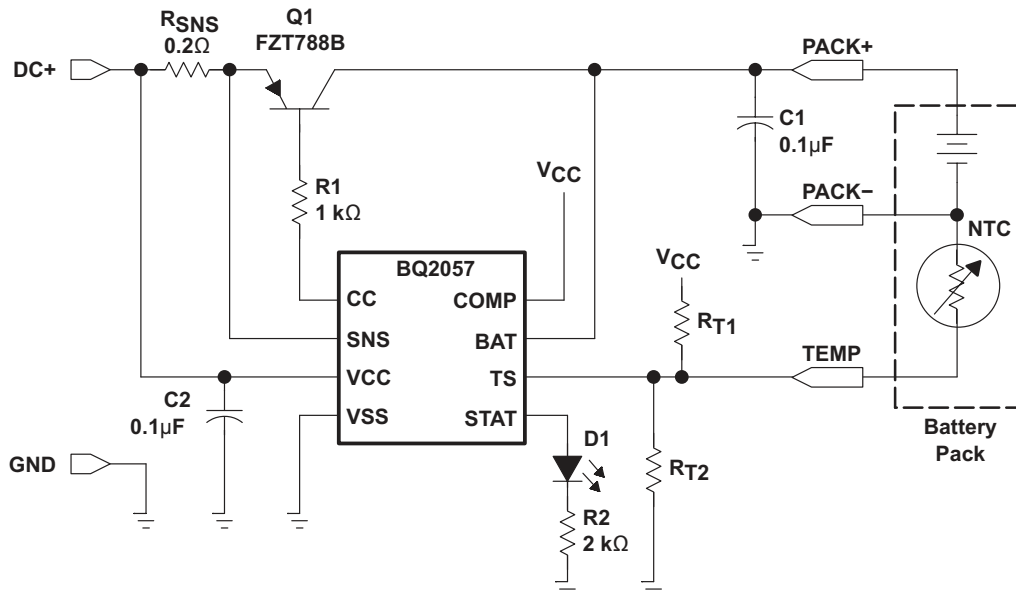


Figure 10-1. Low Dropout Single- or Two-Cell Li-Ion/Li-Pol Charger

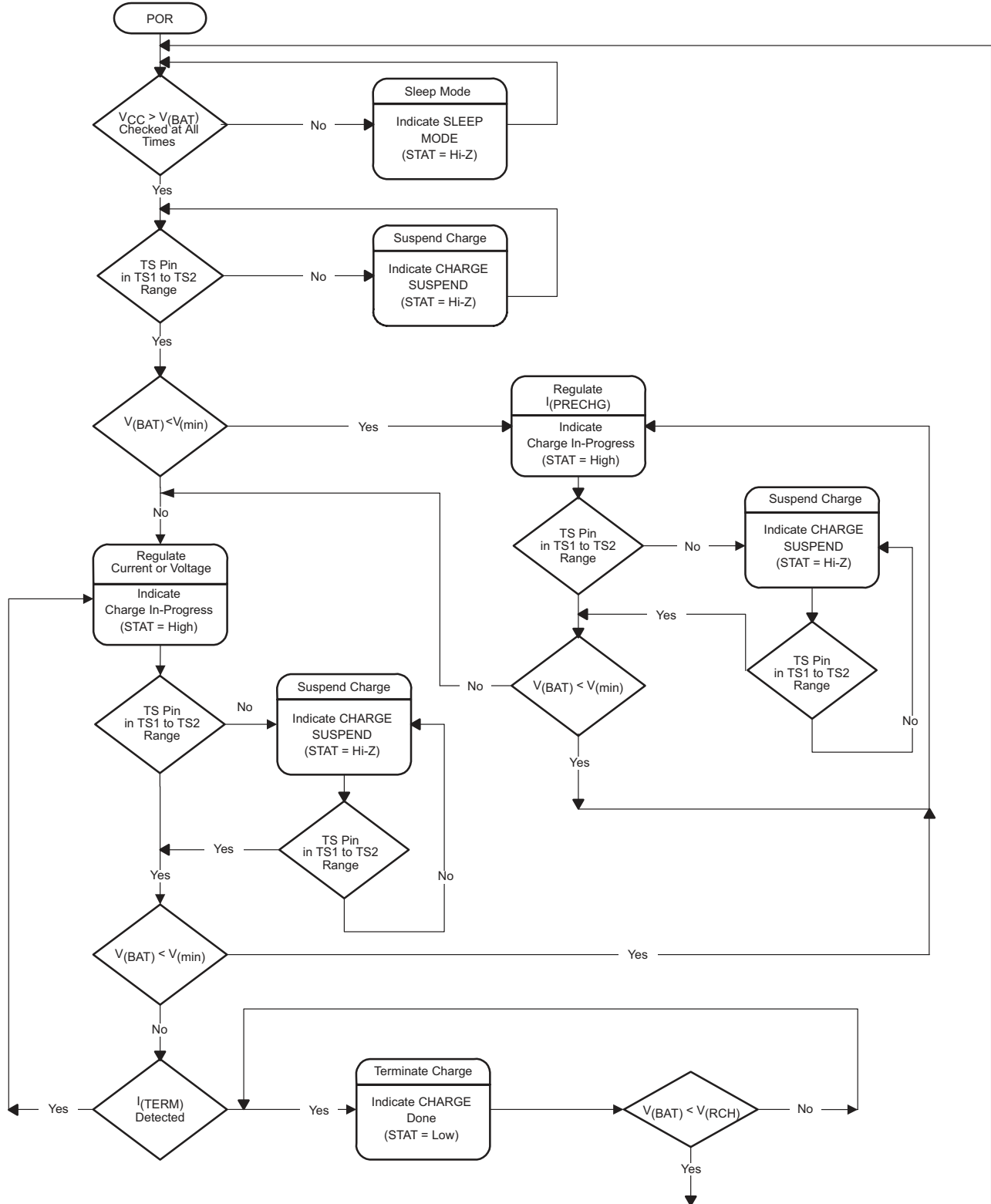


Figure 10-2. Operation Flowchart

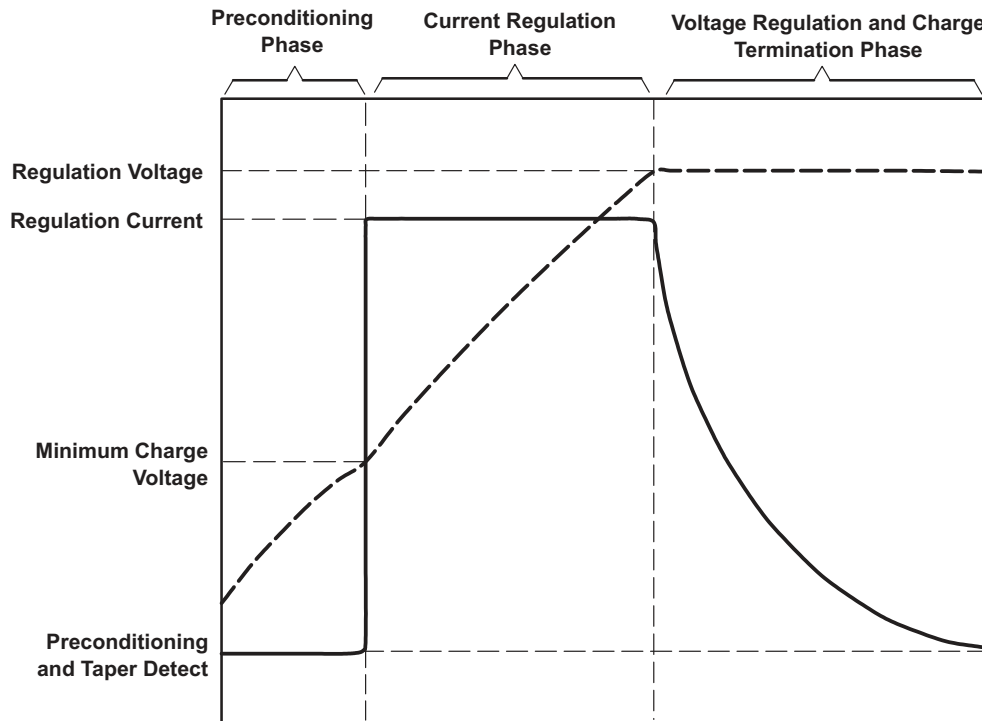


Figure 10-3. Typical Charge Profile

10.1.2 Qualification and Precharge

When power is applied, the BQ2057 starts a charge-cycle if a battery is already present or when a battery is inserted. Charge qualification is based on battery temperature and voltage. The BQ2057 suspends charge if the battery temperature is outside the $V_{(TS1)}$ to $V_{(TS2)}$ range and suspends charge until the battery temperature is within the allowed range. The BQ2057 also checks the battery voltage. If the battery voltage is below the precharge threshold $V_{(min)}$, the BQ2057 uses precharge to condition the battery. The conditioning charge rate $I_{(PRECHG)}$ is set at approximately 10% of the regulation current. The conditioning current also minimizes heat dissipation in the external pass-element during the initial stage of charge. See [Figure 10-3](#) for a typical charge-profile.

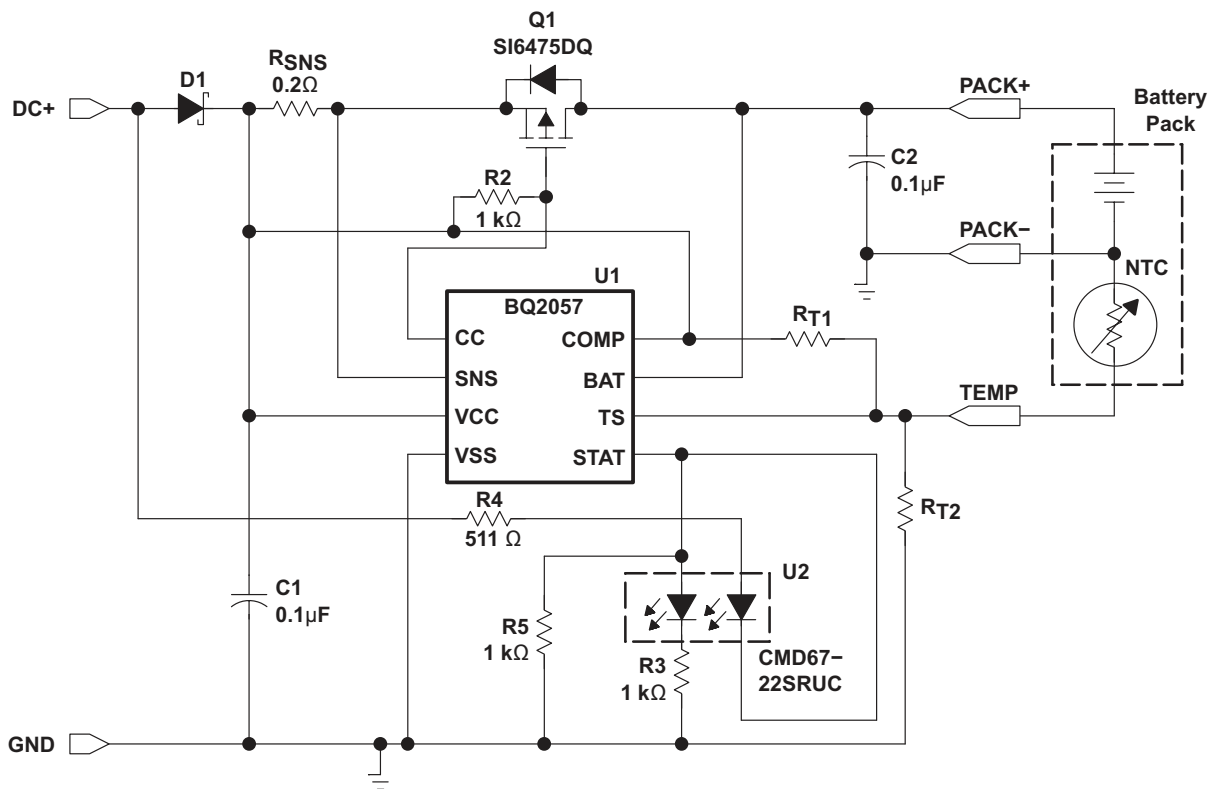


Figure 10-4. 0.5-A Charger Using P-Channel MOSFET

10.1.3 Current Regulation Phase

The BQ2057 regulates current while the battery-pack voltage is less than the regulation voltage, $V_{O(REG)}$. The BQ2057 monitors charge current at the SNS input by the voltage drop across a sense-resistor, R_{SNS} , in series with the battery pack. In high-side current sensing configuration (see Figure 10-5), R_{SNS} is between the VCC and SNS pins, and in low-side sensing (see Figure 10-6) the R_{SNS} is between VSS (battery negative) and SNS (charger ground) pins. Charge-current feedback, applied through pin SNS, maintains a voltage of $V_{(SNS)}$ across the current sense resistor. Equation 1 calculates the value of the sense resistor:

$$R_{SNS} = \frac{V_{(SNS)}}{I_{O(REG)}} \quad (1)$$

Where $I_{O(REG)}$ is the desired charging current.

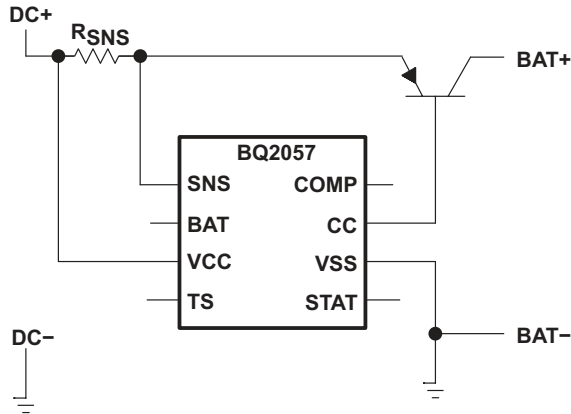


Figure 10-5. High-Side Current Sensing

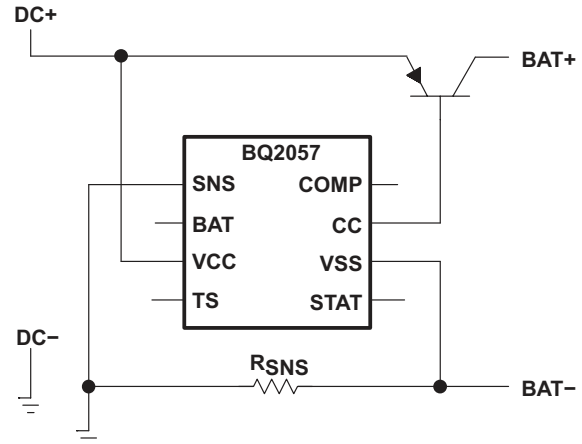


Figure 10-6. Low-Side Current Sensing

10.1.4 Voltage Regulation Phase

The voltage regulation feedback is through the BAT pin. This input is tied directly to the positive side of the battery pack. The BQ2057 monitors the battery-pack voltage between the BAT and VSS pins. The BQ2057 is offered in four fixed-voltage versions: 4.1 V, 4.2 V, 8.2 V, and 8.4 V.

Other regulation voltages can be achieved by adding a voltage divider between the positive and negative terminals of the battery pack and using BQ2057T or BQ2057W. The voltage divider presents scaled battery-pack voltage to BAT input. (See [Figure 10-7](#) and [Figure 10-8](#).) The resistor values R_{B1} and R_{B2} for the voltage divider are calculated by the following equation:

$$\frac{R_{B1}}{R_{B2}} = \left(N \times \frac{V_{(CELL)}}{V_{O(REG)}} \right) - 1 \quad (2)$$

Where:

N = Number of cells in series

$V_{(CELL)}$ = Desired regulation voltage per cell

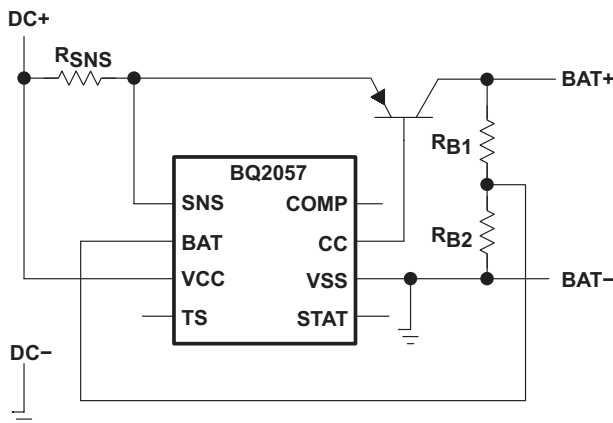


Figure 10-7. Optional Voltage Divider for Nonstandard Regulation Voltage, (High-Side Current Sensing)

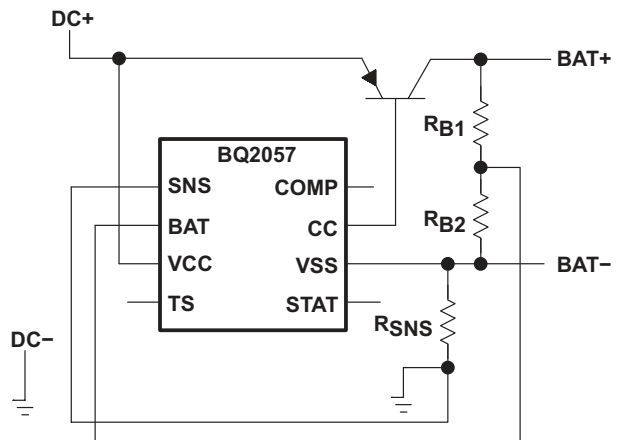


Figure 10-8. Optional Voltage Divider for Nonstandard Regulation Voltage, (Low-Side Current Sensing)

10.1.5 Charge Termination and Recharge

The BQ2057 monitors the charging current during the voltage-regulation phase. The BQ2057 declares a done condition and terminates charge when the current tapers off to the charge termination threshold, $I_{(TERM)}$. A new charge cycle begins when the battery voltage falls below the $V_{(RCH)}$ threshold.

10.1.6 Battery Temperature Monitoring

The BQ2057 continuously monitors temperature by measuring the voltage between the TS and VSS pins. A negative- or a positive-temperature coefficient thermistor (NTC, PTC) and an external voltage divider typically develop this voltage. (See [Figure 10-9](#).) The BQ2057 compares this voltage against its internal $V_{(TS1)}$ and $V_{(TS2)}$ thresholds to determine if charging is allowed. (See [Figure 10-10](#).) The temperature sensing circuit is immune to any fluctuation in V_{CC} , since both the external voltage divider and the internal thresholds ($V_{(TS1)}$ and $V_{(TS2)}$) are referenced to V_{CC} .

The resistor values of $R_{(T1)}$ and $R_{(T2)}$ are calculated by the following equations:

For NTC Thermistors

$$R_{T1} = \frac{5 \times R_{TH} \times R_{TC}}{3 \times (R_{TC} - R_{TH})} \quad (3)$$

$$R_{T1} = \frac{5 \times R_{TH} \times R_{TC}}{3 \times (R_{TC} - R_{TH})} \quad (4)$$

For PTC Thermistors

$$R_{T1} = \frac{5 \times R_{TH} \times R_{TC}}{3 \times (R_{TH} - R_{TC})} \quad (5)$$

$$R_{T2} = \frac{5 \times R_{TH} \times R_{TC}}{\left[(2 \times R_{TH}) - (7 \times R_{TC}) \right]} \quad (6)$$

Where $R_{(TC)}$ is the cold temperature resistance and $R_{(TH)}$ is the hot temperature resistance of thermistor, as specified by the thermistor manufacturer.

R_{T1} or R_{T2} can be omitted if only one temperature (hot or cold) setting is required. Applying a voltage between the $V_{(TS1)}$ and $V_{(TS2)}$ thresholds to pin TS disables the temperature-sensing feature.

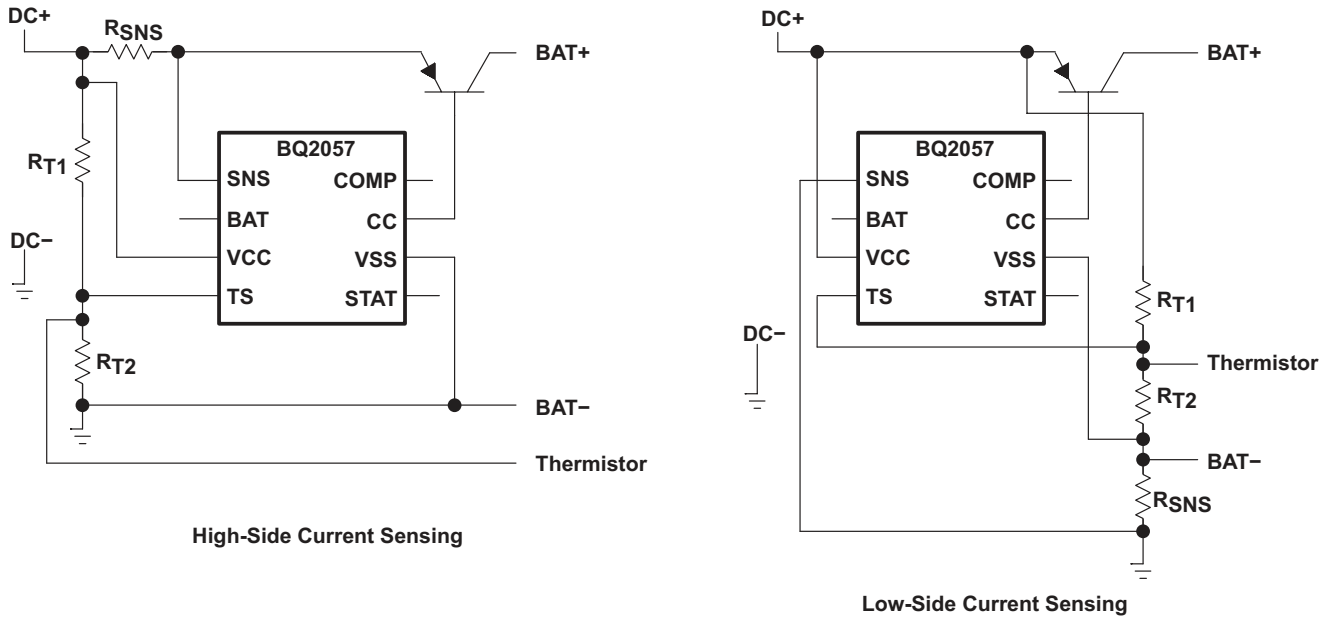


Figure 10-9. Temperature Sensing Circuits

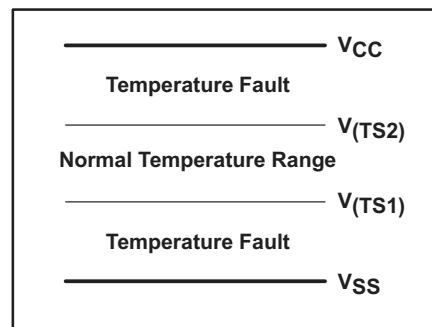


Figure 10-10. BQ2057 TS Input Thresholds

10.1.7 Charge Inhibit Function

The TS pin can be used as charge-inhibit input. The user can inhibit charge by connecting the TS pin to VCC or VSS (or any level outside the $V_{(TS1)}$ to $V_{(TS2)}$ thresholds). Applying a voltage between the $V_{(TS1)}$ and $V_{(TS2)}$ thresholds to pin TS returns the charger to normal operation.

10.1.8 Charge Status Indication

The BQ2057 reports the status of the charger on the 3-state STAT pin. The following table summarized the operation of the STAT pin.

CONDITION	STAT PIN
Battery conditioning and charging	High
Charge complete (Done)	Low
Temperature fault or sleep mode	Hi-Z

The STAT pin can be used to drive a single LED (Figure 10-1), dual-chip LEDs (Figure 4) or for interface to a host or system processor (Figure 10-11). When interfacing the BQ2057 to a processor, the user can use an output port, as shown in Figure 10-11, to recognize the Hi-Z state of the STAT pin. In this configuration, the user needs to read the input pin, toggle the output port and read the STAT pin again. In a Hi-Z condition, the input port always matches the signal level on the output port.

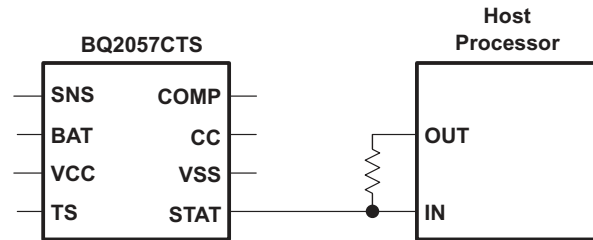


Figure 10-11. Interfacing the BQ2057 to a Host Processor

10.1.9 Low-power Sleep Mode

The BQ2057 enters the sleep mode if the VCC falls below the voltage at the BAT input. This feature prevents draining the battery pack during the absence of VCC.

10.1.10 Selecting an External Pass-Transistor

The BQ2057 is designed to work with both PNP transistor and P-channel MOSFET. The device should be chosen to handle the required power dissipation, given the circuit parameters, PCB layout and heat sink configuration. The following examples illustrate the design process for either device:

PNP transistor: Selection steps for a PNP bipolar transistor: Example: $V_I = 4.5\text{ V}$, $I_{(REG)} = 1\text{ A}$, 4.2-V single-cell Li-Ion (bq2057C). V_I is the input voltage to the charger and $I_{(REG)}$ is the desired charge current (see Figure 10-1).

1. Determine the maximum power dissipation, P_D , in the transistor. The worst case power dissipation happens when the cell voltage, $V_{(BAT)}$, is at its lowest (typically 3 V at the beginning of current regulation phase) and V_I is at its maximum.

Where V_{CS} is the voltage drop across the current sense resistor.

$$P_D = (V_I - V_{CS} - V_{(BAT)}) \times I_{REG}$$

$$P_D = (4.5 - 0.1 - 3) \times 1\text{ A}$$

$$P_D = 1.4\text{ W}$$

(7)

2. Determine the package size needed in order to keep the junction temperature below the manufacturer's recommended value, $T_{(J)max}$. Calculate the total theta, $\theta(^{\circ}\text{C}/\text{W})$, needed.

$$\theta_{JC} = \frac{(T_{(J)max} - T_{A(max)})}{P_D}$$

$$\theta_{JC} = \frac{(150 - 40)}{1.4}$$

$$\theta_{JC} = 78^{\circ}\text{C} / \text{W}$$

(8)

Now choose a device package with a theta at least 10% below this value to account for additional thetas other than the device. A SOT223 package, for instance, has typically a theta of $60^{\circ}\text{C}/\text{W}$.

3. Select a collector-emitter voltage, $V_{(CE)}$, rating greater than the maximum input voltage. A 15-V device will be adequate in this example.
4. Select a device that has at least 50% higher drain current I_C rating than the desired charge current $I_{(REG)}$.
5. Using Equation 9, calculate the minimum beta (β or h_{FE}) needed:

$$\beta_{min} = \frac{I_{C(MAX)}}{1_B}$$

$$\beta_{min} = \frac{1}{0.035}$$

$$\beta_{min} = 28$$

(9)

where $I_{\max(C)}$ is the maximum collector current (in this case same as $I_{(REG)}$), and I_B is the base current (chosen to be 35 mA in this example).

Note

The beta of a transistor drops off by a factor of 3 over temperature and also drops off with load. Therefore, note the beta of device at $I_{(REG)}$ and the minimum ambient temperature when choosing the device. This beta should be larger than the minimum required beta.

Now choose a PNP transistor that is rated for $V_{(CE)} \geq 15$ V, $\theta_{JC} \leq 78^\circ\text{C/W}$, $I_C \geq 1.5$ A, $\beta_{\min} \geq 28$ and that is in a SOT223 package.

P-channel MOSFET: Selection steps for a P-channel MOSFET: Example: $V_I = 5.5$ V, $I_{(REG)} = 500$ mA, 4.2-V single-cell Li-Ion (BQ2057C). V_I is the input voltage to the charger and $I_{(REG)}$ is the desired charge current. (See Figure 10-4.)

1. Determine the maximum power dissipation, P_D , in the transistor.
The worst case power dissipation happens when the cell voltage, $V_{(BAT)}$, is at its lowest (typically 3 V at the beginning of current regulation phase) and V_I is at its maximum.
Where V_D is the forward voltage drop across the reverse-blocking diode (if one is used), and V_{CS} is the voltage drop across the current sense resistor.

$$P_D = (V_I - V_D - V_{(CS)} - V_{(BAT)}) \times I_{(REG)}$$

$$P_D = (5.5 - 0.4 - 0.1 - 3) \times 0.5 \text{ A}$$

$$P_D = 1 \text{ W} \tag{10}$$

2. Determine the package size needed in order to keep the junction temperature below the manufacturer's recommended value, T_{JMAX} . Calculate the total theta, $\theta(^{\circ}\text{C/W})$, needed.

$$\theta_{JC} = \frac{(T_{\max(J)} - T_{A(\max)})}{P_D}$$

$$\theta_{JC} = \frac{(150 - 40)}{1}$$

$$\theta_{JC} = 110^\circ\text{C/W} \tag{11}$$

Now choose a device package with a theta at least 10% below this value to account for additional thetas other than the device. A TSSOP-8 package, for instance, has typically a theta of 70°C/W .

3. Select a drain-source voltage, $V_{(DS)}$, rating greater than the maximum input voltage. A 12-V device will be adequate in this example.
4. Select a device that has at least 50% higher drain current (I_D) rating than the desired charge current $I_{(REG)}$.
5. Verify that the available drive is large enough to supply the desired charge current.

$$V_{(GS)} = (V_D + V_{(CS)} + V_{OL(CC)}) - V_I$$

$$V_{(GS)} = (0.4 + 0.1 + 1.5) - 5.5$$

$$V_{(GS)} = -3.5 \tag{12}$$

Where $V_{(GS)}$ is the gate-to-source voltage, V_D is the forward voltage drop across the reverse-blocking diode (if one is used), and V_{CS} is the voltage drop across the current sense resistor, and $V_{OL(CC)}$ is the CC pin output low voltage specification for the BQ2057.

Select a MOSFET with gate threshold voltage, $V_{(GStH)}$, rating less than the calculated $V_{(GS)}$.

Now choose a P-channel MOSFET transistor that is rated for $V_{DS} \leq -15\text{ V}$, $\theta_{JC} \leq 110^\circ\text{C/W}$, $I_D \geq 1\text{ A}$, $V_{(GSth)} \geq -3.5\text{ V}$ and in a TSSOP package.

10.1.11 Selecting Input Capacitor

In most applications, all that is needed is a high-frequency decoupling capacitor. A 0.1- μF ceramic, placed in proximity to VCC and VSS pins, works well. The BQ2057 works with both regulated and unregulated external dc supplies. If a nonregulated supply is chosen, the supply unit should have enough capacitance to hold up the supply voltage to the minimum required input voltage at maximum load. If not, more capacitance must be added to the input of the charger.

10.1.12 Selecting Output Capacitor

The BQ2057 does not require any output capacitor for loop stability. The user can add output capacitance in order to control the output voltage when a battery is not present. The charger quickly charges the output capacitor to the regulation voltage, but the output voltage decays slowly, because of the low leakage current on the BAT pin, down to the recharge threshold. Addition of a 0.1- μF ceramic capacitor, for instance, results in a 100-mV(pp) ripple waveform, with an approximate frequency of 25 Hz. Higher capacitor values can be used if a lower frequency is desired.

10.1.13 Automatic Charge-rate Compensation

To reduce charging time, the BQ2057 uses the proprietary AutoComp technique to compensate safely for internal impedance of the battery pack. The AutoComp feature is disabled by connecting the COMP pin to VCC in high-side current-sensing configuration, and to VSS in low-side current-sensing configuration. The COMP pin must not be left floating.

Figure 10-12 outlines the major components of a single-cell Li-Ion battery pack. The Li-Ion battery pack consists of a cell, protection circuit, fuse, connector, current sense-resistors, and some wiring. Each of these components contains some resistance. Total impedance of the battery pack is the sum of the minimum resistances of all battery-pack components. Using the minimum resistance values reduces the odds for overcompensating. Overcompensating may activate the safety circuit of the battery pack.

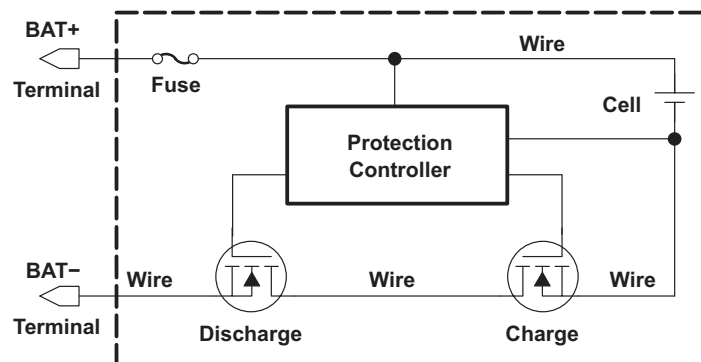


Figure 10-12. Typical Components of a Single-Cell Li-Ion Pack

Compensation is achieved through input pin COMP (Figure 10-13). A portion of the current-sense voltage, presented through this pin, is scaled by a factor of $G(\text{COMP})$ and summed with the regulation threshold, $V_{O(\text{REG})}$. This process increases the output voltage to compensate for the battery pack's internal impedance and for undesired voltage drops in the circuit.

AutoComp setup requires the following information:

- Total impedance of battery pack ($Z_{(\text{PACK})}$)
- Maximum charging current ($I_{(\text{REG})}$)

The voltage drop across the internal impedance of battery pack, $V_{(Z)}$, can then be calculated using Equation 13:

$$V_{(Z)} = Z_{(\text{PACK})} \times I_{(\text{REG})} \quad (13)$$

The required compensation is then calculated using [Equation 14](#):

$$V_{(COMP)} = \frac{V_{(Z)}}{G_{(COMP)}}$$

$$V_{(PACK)} = V_{O(REG)} + (G_{(COMP)} \times V_{(COMP)}) \quad (14)$$

Where $V_{(COMP)}$ is the voltage on COMP pin. This voltage is referenced to VCC in high-side current sensing configuration and to VSS for low-side sensing. $V_{(PACK)}$ is the voltage across the battery pack.

The values of $R_{(COMP1)}$ and $R_{(COMP2)}$ can be calculated using [Equation 15](#):

$$\frac{V_{(COMP)}}{V_{(SNS)}} = \frac{R_{COMP2}}{R_{COMP1} + R_{COMP2}} \quad (15)$$

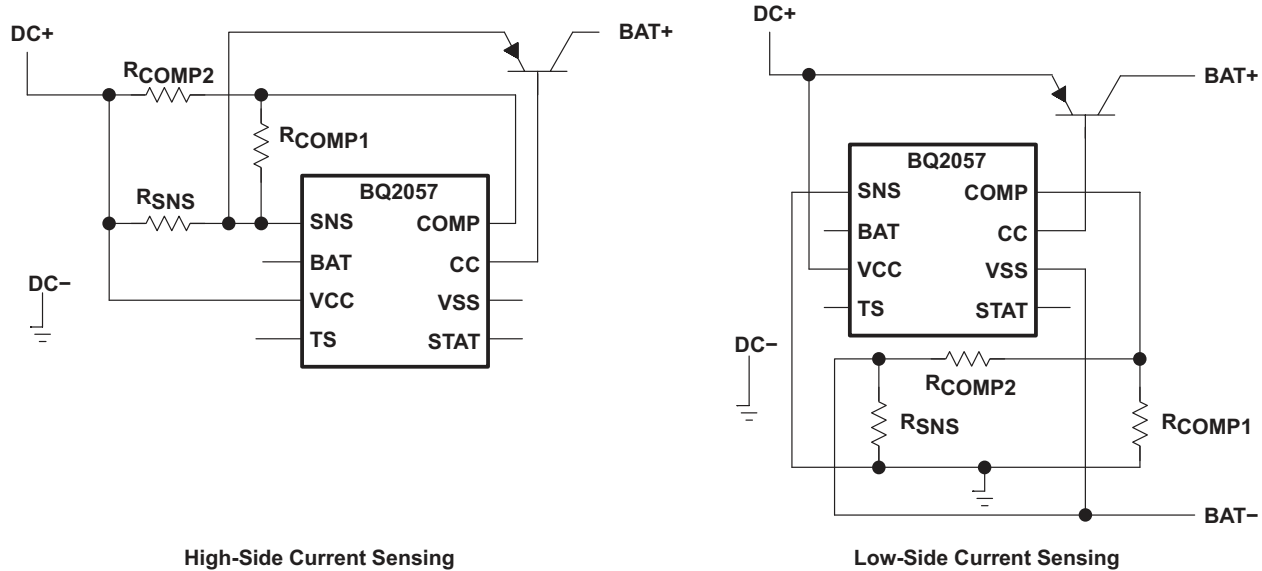


Figure 10-13. AutoComp Circuits

The following example illustrates these calculations:

Assume $Z_{(PACK)} = 100 \text{ m}\Omega$, $I_{(REG)} = 500 \text{ mA}$, high-side current sensing BQ2057C

$$V_{(Z)} = Z_{(PACK)} \times I_{(REG)}$$

$$V_{(Z)} = 0.1 \times 0.5$$

$$V_{(Z)} = 50 \text{ mV} \quad (16)$$

$$V_{(COMP)} = \frac{V_{(Z)}}{G_{(COMP)}}$$

$$V_{(COMP)} = \frac{0.05}{2.2}$$

$$V_{(COMP)} = 22.7 \text{ mV}$$

Let $R_{COMP2} = 10 \text{ k}\Omega$ (17)

$$R_{COMP1} = \frac{R_{COMP2} \times (V_{(SNS)} - V_{(COMP)})}{V_{(COMP)}}$$

$$R_{COMP1} = 10k \times \frac{(105 \text{ mV} - 22.7 \text{ mV})}{22.7 \text{ mV}}$$

$$R_{COMP1} = 36.25 \text{ k}\Omega$$

(18)

Use the closest standard value (36.0 kΩ) for R_{COMP1} .

10.2 Typical Application

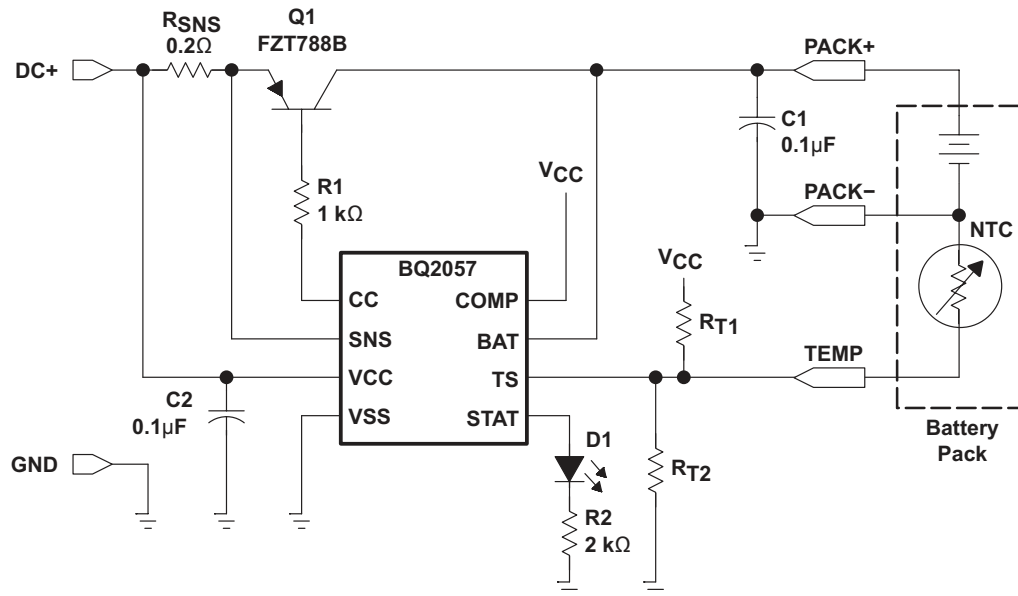


Figure 10-14. Low Dropout Single- or Two-Cell Li-Ion/Li-PoL Charger

10.2.1 Design Requirements

The design requirements include the following:

- Supply voltage = 12 V
- Dual cell Li-ion 8.2 V
- Fast charge current = 600 mA
 - High-side current sense
- Termination current = 10% (default)
- Precharge current = 10% (default)
- TS – Battery temperature sense = 10 kΩ (103AT, NTC)
 - 0°C cold and 60°C hot

10.2.2 Detailed Design Procedure

The detailed design procedure is listed below:

- Single cell Li-ion, 8.2 V - BQ2057T
- Pass transistor
 - For PNP BJT, see section 10.1.10 PNP transistor
 - For P-Type MOSFET, see section 10.1.10 P-channel MOSFET
- Fast charge current, see equation 1
 - $R_{sns} = V_{sns} / I_{out} - 125 \text{ mV}/600\text{mA} = 0.2 \Omega$
- Termination Current default to 10% of fast charge current

- Pre-Charge Current default to 10% of fast charge current.
- TS – apply Equations 3 and 4 to calculate RT1 and RT2
 - RT1 = 5600 Ω (5.62 kΩ), RT2 = 12326 Ω (12.4 kΩ)

10.2.3 Application Curves

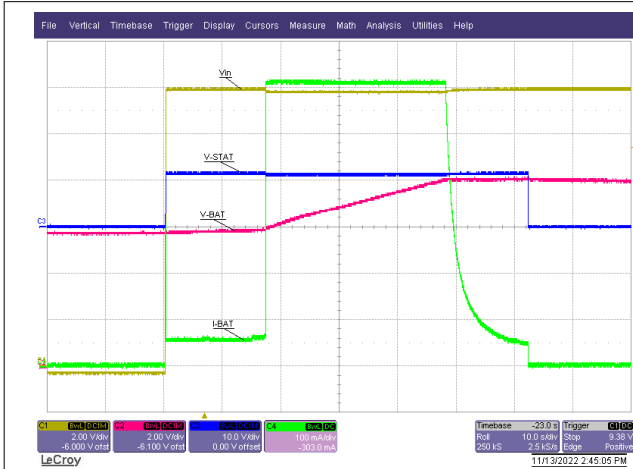


Figure 10-15. Charge Profile with Battery Simulator

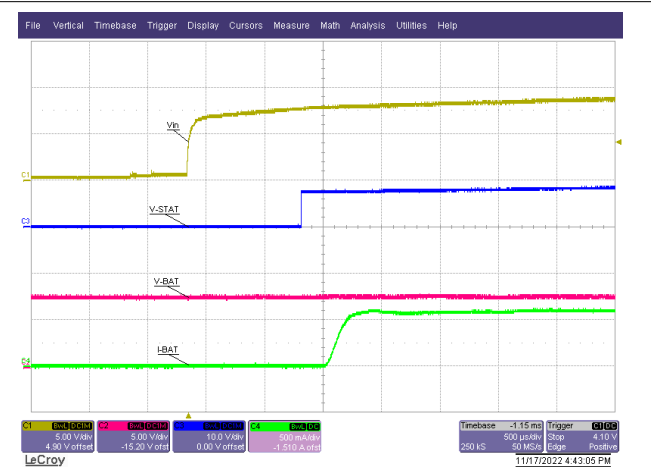


Figure 10-16. Charge Profile with Battery Simulator - STAT

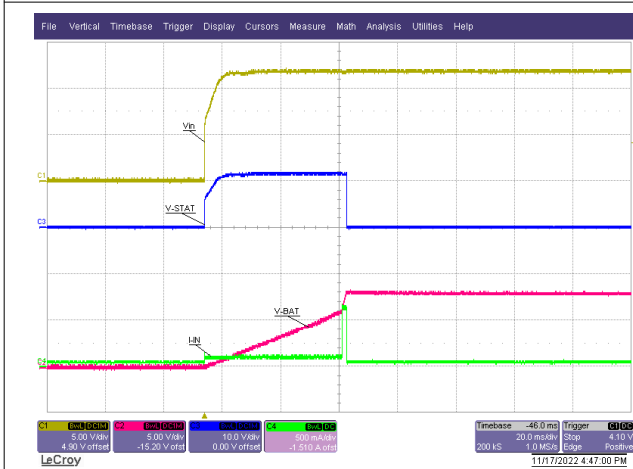


Figure 10-17. Power On - No Battery

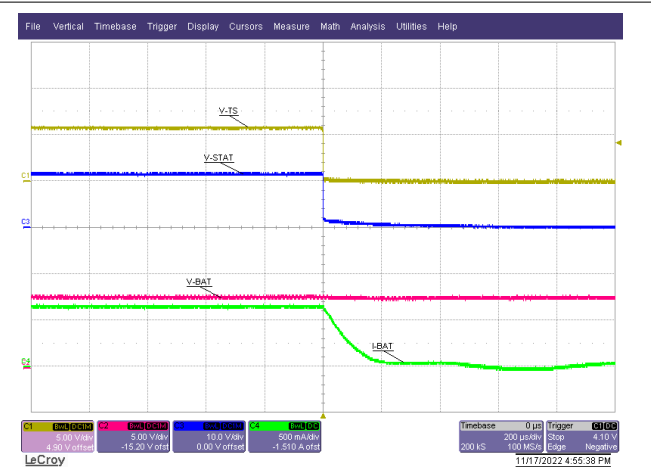


Figure 10-18. Shutdown - TS Pin Low

11 Power Supply Recommendations

The devices are designed to operate from an input voltage supply range between 4.5 V and 15 V and current capability of at least the maximum designed charge current. This input supply should be well regulated. If located more than a few inches from the device, VCC and GND terminals, a larger capacitor is recommended.

12 Layout

12.1 Layout Guidelines

12.1.1 Power FET

The external pass PNP transistor or P-channel MOSFET will have high thermal rise, good heat sinking will be required.

12.1.2 Current Sense

The BQ2057 regulates current by sensing, on the SNS pin, the voltage drop developed across an external sense resistor. The sense resistor must be placed between the supply voltage (Vcc) and the input of the IC (IN pins).

12.1.3 Voltage Sense

To achieve maximum voltage regulation accuracy, the BQ2057 uses the feedback on the BAT pin. Externally, this pin should be connected as close to the battery cell terminals as possible. For additional safety, a 10-k Ω internal pullup resistor is connected between the VSENSE and OUT pins.

12.1.4 Enable (TS)

The TS pin can be used as charge-inhibit. Pulling up to VCC or pulling down to VSS places the device in a low-power standby mode.

12.2 Layout Example

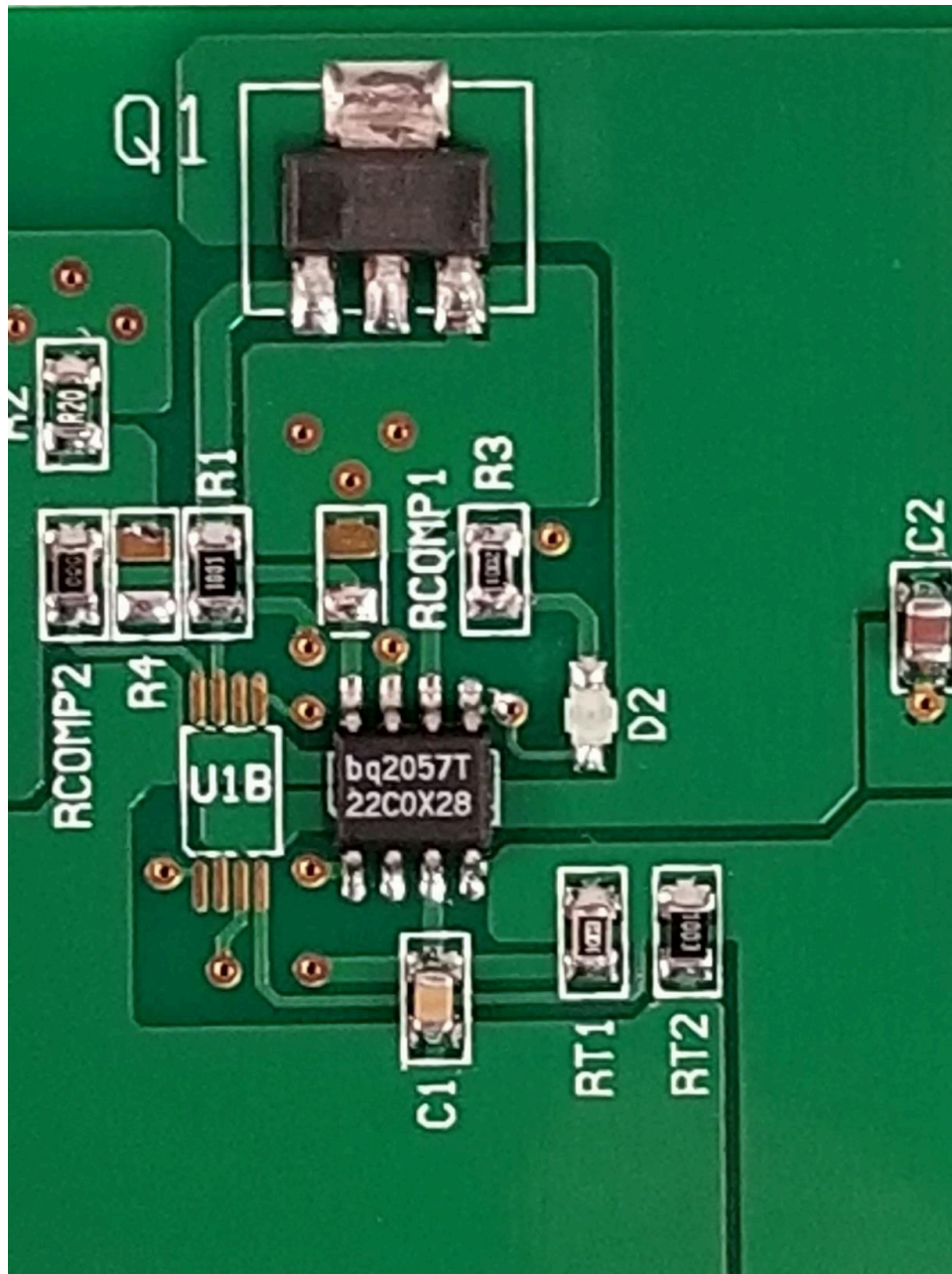


Figure 12-1. Layout Example

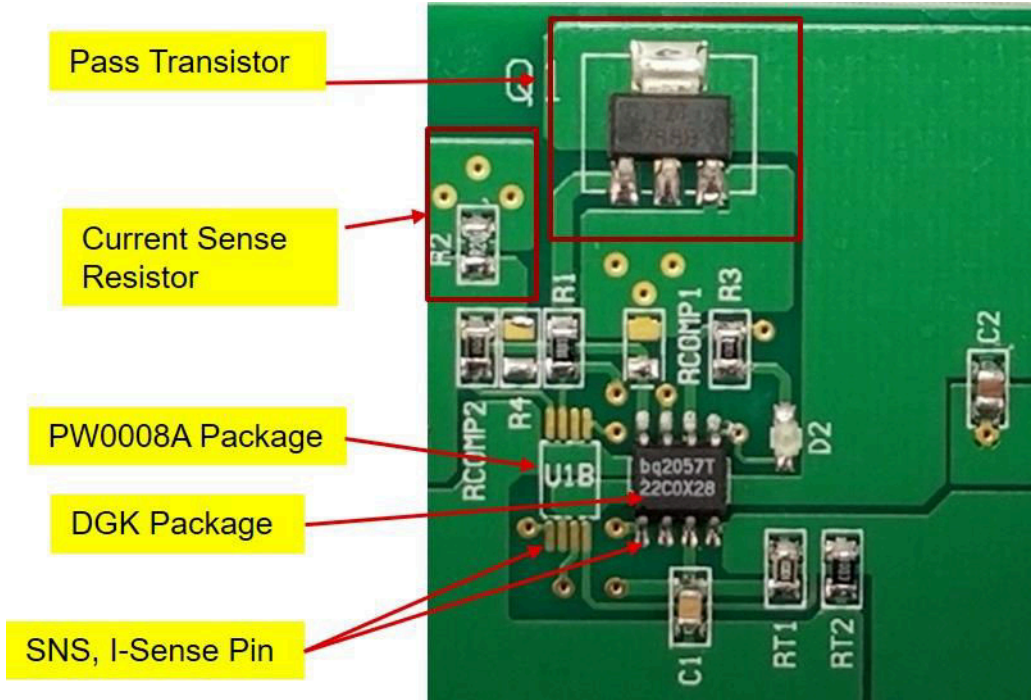


Figure 12-2. Layout Example

13 Device and Documentation Support

13.1 Device Support

13.1.1 Third-Party Products Disclaimer

TI'S PUBLICATION OF INFORMATION REGARDING THIRD-PARTY PRODUCTS OR SERVICES DOES NOT CONSTITUTE AN ENDORSEMENT REGARDING THE SUITABILITY OF SUCH PRODUCTS OR SERVICES OR A WARRANTY, REPRESENTATION OR ENDORSEMENT OF SUCH PRODUCTS OR SERVICES, EITHER ALONE OR IN COMBINATION WITH ANY TI PRODUCT OR SERVICE.

13.2 Receiving Notification of Documentation Updates

To receive notification of documentation updates, navigate to the device product folder on ti.com. Click on *Subscribe to updates* to register and receive a weekly digest of any product information that has changed. For change details, review the revision history included in any revised document.

13.3 Support Resources

[TI E2E™ support forums](#) are an engineer's go-to source for fast, verified answers and design help — straight from the experts. Search existing answers or ask your own question to get the quick design help you need.

Linked content is provided "AS IS" by the respective contributors. They do not constitute TI specifications and do not necessarily reflect TI's views; see TI's [Terms of Use](#).

13.4 Trademarks

AutoComp™ and TI E2E™ are trademarks of Texas Instruments.
All trademarks are the property of their respective owners.

13.5 Electrostatic Discharge Caution



This integrated circuit can be damaged by ESD. Texas Instruments recommends that all integrated circuits be handled with appropriate precautions. Failure to observe proper handling and installation procedures can cause damage.

ESD damage can range from subtle performance degradation to complete device failure. Precision integrated circuits may be more susceptible to damage because very small parametric changes could cause the device not to meet its published specifications.

13.6 Glossary

[TI Glossary](#) This glossary lists and explains terms, acronyms, and definitions.

14 Mechanical, Packaging, and Orderable Information

The following pages include mechanical, packaging, and orderable information. This information is the most current data available for the designated devices. This data is subject to change without notice and revision of this document. For browser-based versions of this data sheet, refer to the left-hand navigation.

PACKAGING INFORMATION

Orderable Device	Status (1)	Package Type	Package Drawing	Pins	Package Qty	Eco Plan (2)	Lead finish/ Ball material (6)	MSL Peak Temp (3)	Op Temp (°C)	Device Marking (4/5)	Samples
BQ2057CDGK	ACTIVE	VSSOP	DGK	8	80	RoHS & Green	NIPDAUAG	Level-2-260C-1 YEAR	-20 to 70	2057C	Samples
BQ2057CDGKR	ACTIVE	VSSOP	DGK	8	2500	RoHS & Green	NIPDAUAG	Level-2-260C-1 YEAR	-20 to 70	2057C	Samples
BQ2057CSN	ACTIVE	SOIC	D	8	75	RoHS & Green	NIPDAU	Level-1-260C-UNLIM	-20 to 70	2057C	Samples
BQ2057CSNTR	ACTIVE	SOIC	D	8	2500	RoHS & Green	NIPDAU	Level-1-260C-UNLIM	-20 to 70	2057C	Samples
BQ2057CTS	ACTIVE	TSSOP	PW	8	150	RoHS & Green	NIPDAU	Level-2-260C-1 YEAR	-20 to 70	2057C	Samples
BQ2057CTSTR	ACTIVE	TSSOP	PW	8	2000	RoHS & Green	NIPDAU	Level-2-260C-1 YEAR	-20 to 70	2057C	Samples

(1) The marketing status values are defined as follows:

ACTIVE: Product device recommended for new designs.

LIFEBUY: TI has announced that the device will be discontinued, and a lifetime-buy period is in effect.

NRND: Not recommended for new designs. Device is in production to support existing customers, but TI does not recommend using this part in a new design.

PREVIEW: Device has been announced but is not in production. Samples may or may not be available.

OBSELETE: TI has discontinued the production of the device.

(2) **RoHS:** TI defines "RoHS" to mean semiconductor products that are compliant with the current EU RoHS requirements for all 10 RoHS substances, including the requirement that RoHS substance do not exceed 0.1% by weight in homogeneous materials. Where designed to be soldered at high temperatures, "RoHS" products are suitable for use in specified lead-free processes. TI may reference these types of products as "Pb-Free".

RoHS Exempt: TI defines "RoHS Exempt" to mean products that contain lead but are compliant with EU RoHS pursuant to a specific EU RoHS exemption.

Green: TI defines "Green" to mean the content of Chlorine (Cl) and Bromine (Br) based flame retardants meet JS709B low halogen requirements of <=1000ppm threshold. Antimony trioxide based flame retardants must also meet the <=1000ppm threshold requirement.

(3) MSL, Peak Temp. - The Moisture Sensitivity Level rating according to the JEDEC industry standard classifications, and peak solder temperature.

(4) There may be additional marking, which relates to the logo, the lot trace code information, or the environmental category on the device.

(5) Multiple Device Markings will be inside parentheses. Only one Device Marking contained in parentheses and separated by a "~" will appear on a device. If a line is indented then it is a continuation of the previous line and the two combined represent the entire Device Marking for that device.

(6) Lead finish/Ball material - Orderable Devices may have multiple material finish options. Finish options are separated by a vertical ruled line. Lead finish/Ball material values may wrap to two lines if the finish value exceeds the maximum column width.

Important Information and Disclaimer: The information provided on this page represents TI's knowledge and belief as of the date that it is provided. TI bases its knowledge and belief on information provided by third parties, and makes no representation or warranty as to the accuracy of such information. Efforts are underway to better integrate information from third parties. TI has taken and continues to take reasonable steps to provide representative and accurate information but may not have conducted destructive testing or chemical analysis on incoming materials and chemicals. TI and TI suppliers consider certain information to be proprietary, and thus CAS numbers and other limited information may not be available for release.

In no event shall TI's liability arising out of such information exceed the total purchase price of the TI part(s) at issue in this document sold by TI to Customer on an annual basis.

TAPE AND REEL INFORMATION

QUADRANT ASSIGNMENTS FOR PIN 1 ORIENTATION IN TAPE

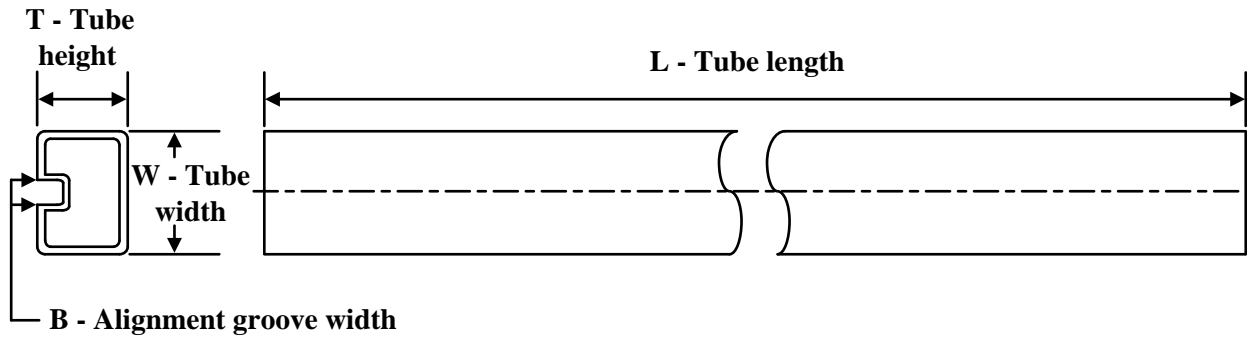

*All dimensions are nominal

Device	Package Type	Package Drawing	Pins	SPQ	Reel Diameter (mm)	Reel Width W1 (mm)	A0 (mm)	B0 (mm)	K0 (mm)	P1 (mm)	W (mm)	Pin1 Quadrant
BQ2057CDGKR	VSSOP	DGK	8	2500	330.0	12.4	5.3	3.4	1.4	8.0	12.0	Q1
BQ2057CSNTR	SOIC	D	8	2500	330.0	12.4	6.4	5.2	2.1	8.0	12.0	Q1
BQ2057CTSTR	TSSOP	PW	8	2000	330.0	12.4	7.0	3.6	1.6	8.0	12.0	Q1

TAPE AND REEL BOX DIMENSIONS


*All dimensions are nominal

Device	Package Type	Package Drawing	Pins	SPQ	Length (mm)	Width (mm)	Height (mm)
BQ2057CDGKR	VSSOP	DGK	8	2500	367.0	367.0	35.0
BQ2057CSNTR	SOIC	D	8	2500	367.0	367.0	35.0
BQ2057CTSTR	TSSOP	PW	8	2000	367.0	367.0	35.0

TUBE


*All dimensions are nominal

Device	Package Name	Package Type	Pins	SPQ	L (mm)	W (mm)	T (μm)	B (mm)
BQ2057CDGK	DGK	VSSOP	8	80	330.2	6.6	3005	1.88
BQ2057CSN	D	SOIC	8	75	506.6	8	3940	4.32
BQ2057CTS	PW	TSSOP	8	150	508	8.5	3250	2.8



D0008A

PACKAGE OUTLINE

SOIC - 1.75 mm max height

SMALL OUTLINE INTEGRATED CIRCUIT



4214825/C 02/2019

NOTES:

- Linear dimensions are in inches [millimeters]. Dimensions in parenthesis are for reference only. Controlling dimensions are in inches. Dimensioning and tolerancing per ASME Y14.5M.
- This drawing is subject to change without notice.
- This dimension does not include mold flash, protrusions, or gate burrs. Mold flash, protrusions, or gate burrs shall not exceed $.006$ [0.15] per side.
- This dimension does not include interlead flash.
- Reference JEDEC registration MS-012, variation AA.

EXAMPLE BOARD LAYOUT

D0008A

SOIC - 1.75 mm max height

SMALL OUTLINE INTEGRATED CIRCUIT



LAND PATTERN EXAMPLE
 EXPOSED METAL SHOWN
 SCALE:8X



SOLDER MASK DETAILS

4214825/C 02/2019

NOTES: (continued)

- 6. Publication IPC-7351 may have alternate designs.
- 7. Solder mask tolerances between and around signal pads can vary based on board fabrication site.

EXAMPLE STENCIL DESIGN

D0008A

SOIC - 1.75 mm max height

SMALL OUTLINE INTEGRATED CIRCUIT



SOLDER PASTE EXAMPLE
BASED ON .005 INCH [0.125 MM] THICK STENCIL
SCALE:8X

4214825/C 02/2019

NOTES: (continued)

8. Laser cutting apertures with trapezoidal walls and rounded corners may offer better paste release. IPC-7525 may have alternate design recommendations.
9. Board assembly site may have different recommendations for stencil design.

PW0008A



PACKAGE OUTLINE
TSSOP - 1.2 mm max height

SMALL OUTLINE PACKAGE



4221848/A 02/2015

NOTES:

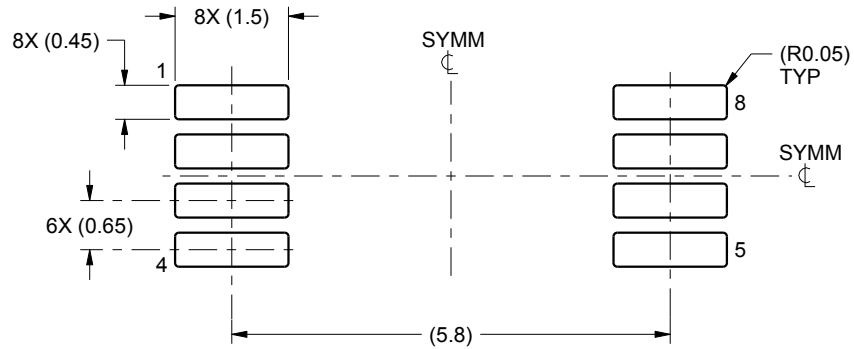
1. All linear dimensions are in millimeters. Any dimensions in parenthesis are for reference only. Dimensioning and tolerancing per ASME Y14.5M.
2. This drawing is subject to change without notice.
3. This dimension does not include mold flash, protrusions, or gate burrs. Mold flash, protrusions, or gate burrs shall not exceed 0.15 mm per side.
4. This dimension does not include interlead flash. Interlead flash shall not exceed 0.25 mm per side.
5. Reference JEDEC registration MO-153, variation AA.

EXAMPLE BOARD LAYOUT

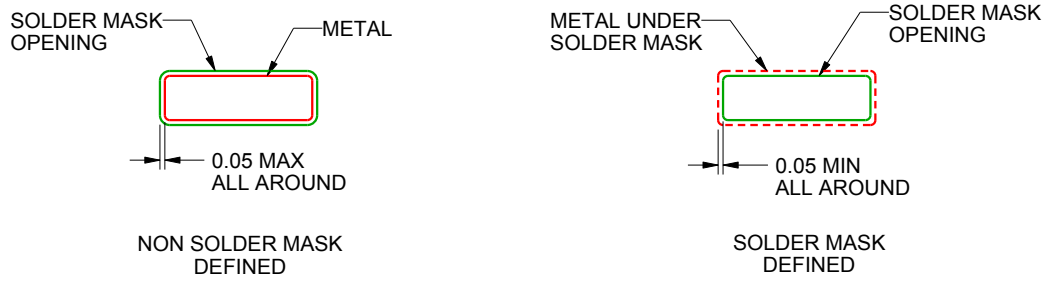
PW0008A

TSSOP - 1.2 mm max height

SMALL OUTLINE PACKAGE



LAND PATTERN EXAMPLE
SCALE:10X



SOLDER MASK DETAILS
NOT TO SCALE

4221848/A 02/2015

NOTES: (continued)

- 6. Publication IPC-7351 may have alternate designs.
- 7. Solder mask tolerances between and around signal pads can vary based on board fabrication site.

EXAMPLE STENCIL DESIGN

PW0008A

TSSOP - 1.2 mm max height

SMALL OUTLINE PACKAGE



SOLDER PASTE EXAMPLE
BASED ON 0.125 mm THICK STENCIL
SCALE:10X

4221848/A 02/2015

NOTES: (continued)

8. Laser cutting apertures with trapezoidal walls and rounded corners may offer better paste release. IPC-7525 may have alternate design recommendations.
9. Board assembly site may have different recommendations for stencil design.

DGK0008A



PACKAGE OUTLINE

VSSOP - 1.1 mm max height

SMALL OUTLINE PACKAGE



NOTES:

PowerPAD is a trademark of Texas Instruments.

1. All linear dimensions are in millimeters. Any dimensions in parenthesis are for reference only. Dimensioning and tolerancing per ASME Y14.5M.
2. This drawing is subject to change without notice.
3. This dimension does not include mold flash, protrusions, or gate burrs. Mold flash, protrusions, or gate burrs shall not exceed 0.15 mm per side.
4. This dimension does not include interlead flash. Interlead flash shall not exceed 0.25 mm per side.
5. Reference JEDEC registration MO-187.

EXAMPLE BOARD LAYOUT

DGK0008A

™ VSSOP - 1.1 mm max height

SMALL OUTLINE PACKAGE



LAND PATTERN EXAMPLE
EXPOSED METAL SHOWN
SCALE: 15X



SOLDER MASK DETAILS

4214862/A 04/2023

NOTES: (continued)

6. Publication IPC-7351 may have alternate designs.
7. Solder mask tolerances between and around signal pads can vary based on board fabrication site.
8. Vias are optional depending on application, refer to device data sheet. If any vias are implemented, refer to their locations shown on this view. It is recommended that vias under paste be filled, plugged or tented.
9. Size of metal pad may vary due to creepage requirement.

EXAMPLE STENCIL DESIGN

DGK0008A

TM VSSOP - 1.1 mm max height

SMALL OUTLINE PACKAGE



SOLDER PASTE EXAMPLE
SCALE: 15X

4214862/A 04/2023

NOTES: (continued)

11. Laser cutting apertures with trapezoidal walls and rounded corners may offer better paste release. IPC-7525 may have alternate design recommendations.
12. Board assembly site may have different recommendations for stencil design.

IMPORTANT NOTICE AND DISCLAIMER

TI PROVIDES TECHNICAL AND RELIABILITY DATA (INCLUDING DATA SHEETS), DESIGN RESOURCES (INCLUDING REFERENCE DESIGNS), APPLICATION OR OTHER DESIGN ADVICE, WEB TOOLS, SAFETY INFORMATION, AND OTHER RESOURCES "AS IS" AND WITH ALL FAULTS, AND DISCLAIMS ALL WARRANTIES, EXPRESS AND IMPLIED, INCLUDING WITHOUT LIMITATION ANY IMPLIED WARRANTIES OF MERCHANTABILITY, FITNESS FOR A PARTICULAR PURPOSE OR NON-INFRINGEMENT OF THIRD PARTY INTELLECTUAL PROPERTY RIGHTS.

These resources are intended for skilled developers designing with TI products. You are solely responsible for (1) selecting the appropriate TI products for your application, (2) designing, validating and testing your application, and (3) ensuring your application meets applicable standards, and any other safety, security, regulatory or other requirements.

These resources are subject to change without notice. TI grants you permission to use these resources only for development of an application that uses the TI products described in the resource. Other reproduction and display of these resources is prohibited. No license is granted to any other TI intellectual property right or to any third party intellectual property right. TI disclaims responsibility for, and you will fully indemnify TI and its representatives against, any claims, damages, costs, losses, and liabilities arising out of your use of these resources.

TI's products are provided subject to [TI's Terms of Sale](#) or other applicable terms available either on [ti.com](https://www.ti.com) or provided in conjunction with such TI products. TI's provision of these resources does not expand or otherwise alter TI's applicable warranties or warranty disclaimers for TI products.

TI objects to and rejects any additional or different terms you may have proposed.

Mailing Address: Texas Instruments, Post Office Box 655303, Dallas, Texas 75265
Copyright © 2024, Texas Instruments Incorporated

Looking for pricing, stock, or lifecycle information?

Click below to explore more details on WIN SOURCE:

 [View BQ2057WSNTR](#) on WIN SOURCE

 [Texas Instruments](#) Information

Optimize Your Supply Chain with WIN SOURCE Solutions

-  Global Sourcing Solution
-  Obsolete Management
-  Cost Control Management
-  Shortage Management
-  Alternative Solution
-  Excess Inventory Management