



**THE DATASHEET OF
23BR20KLFTR**



Single Turn Trimmer

Model 23



Features:

- 4 mm square
- Sealed single turn
- Cermet
- Surface mount

Electrical

| | |
|-------------------------------|--|
| Standard Resistance Range | 100 Ohms to 2 Megohms |
| Standard Resistance Tolerance | ±20% |
| Input Voltage | 200 Vdc Max. or rms not to exceed power rating |
| Power Rating | 0.25 Watts at 70°C derating to 0 at 125°C |
| End Resistance | 1% or 3 Ohms Max., whichever is greater |
| Actual Electrical Travel | 200° nominal |
| Dielectric Strength | 500 Vrms |
| Insulation Resistance | 100 Megohms Min. |
| Resolution | Essentially infinite |
| Contact Resistance Variation | 2% or 3 Ohms Max., whichever is greater |

Environmental

| | |
|-----------------------------|---|
| Seal | 85°C Fluorinert® (No Leaks) |
| Temperature Coefficient | ±100 ppm/°C (<200 Ohms or >1Meg = ±250 ppm/°C) |
| Operating Temperature Range | -55°C to +125°C |
| Thermal Shock | Five cycles -55°C to +125°C (2% ΔRT, 2% ΔVR) |
| Moisture Resistance | Ten 24 hour cycles (3% ΔRT) |
| Shock | 6 ms sawtooth, 100 G's (1% ΔRT, 1% ΔVR) |
| Vibration | 20 G's, 10 to 2,000 Hz (1% ΔRT, 1% ΔVR) |
| High Temperature Exposure | 250 hours at 125°C (2% ΔRT, 2% ΔVR) |
| Rotational Life | 100 cycles (5% ΔRT) |
| Load Life | 1,000 hours at 70°C & 0.25 Watts (3% ΔRT, 1% ΔVR) |
| Resistance to Solder Heat | 260°C for 10 sec. (1% ΔRT) |

Mechanical

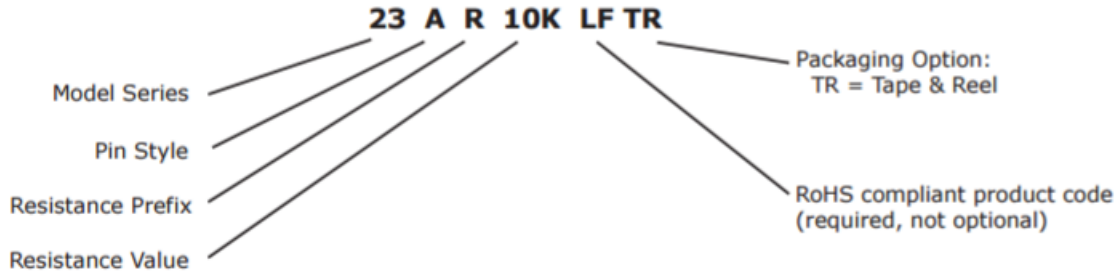
| | |
|------------------|--------------------------------|
| Mechanical Stops | Solid |
| Stop Strength | 4 oz.-in. Min. (300 g-cm) |
| Torque | 2 oz.-in. Max. (150 g-cm) |
| Weight | 0.005 oz. nominal (0.14 grams) |

General Note
TT Electronics reserves the right to make changes in product specification without notice or liability. All information is subject to TT Electronics' own data and is considered accurate at time of going to print.

© TT electronics plc

TT Electronics | BI Technologies
413 Rood RD, Suite 7
Calexico, CA 92231
Ph: + 1 (714) 447-2345
www.ttelectronics.com/bi-technologies
Issue B 04/2019 Page 1

Ordering Information



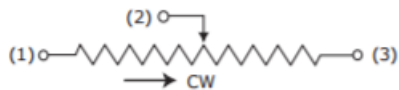
Packaging Information

Standard (no code): Boxes. Capacity = 100 units.

Option (TR code): Tape & Reel. All units oriented with #2 (slider) pin adjacent to sprocket holes.

| | Pin Style | A,B | S |
|------|------------|-------------|--------------|
| Tape | Width = | 12 mm | 12 mm |
| | Sprocket = | 4 mm pitch | 4 mm pitch |
| | Capacity = | 500 units | 750 units |
| Reel | Diameter = | 7" (178 mm) | 10" (254 mm) |

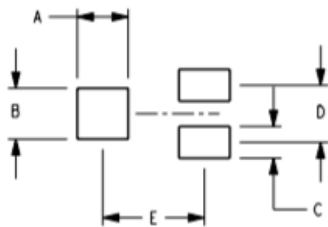
Circuit Diagram



Standard Resistance Values, Ohms

| | | | | |
|-----|----|-----|------|------|
| 100 | 1K | 10K | 100K | 1Meg |
| 200 | 2K | 20K | 200K | 2Meg |
| 500 | 5K | 50K | 500K | |

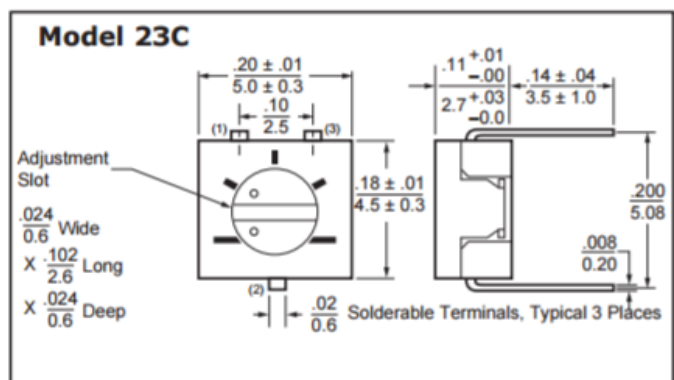
RECOMMENDED PCB LAYOUT



Inch/mm

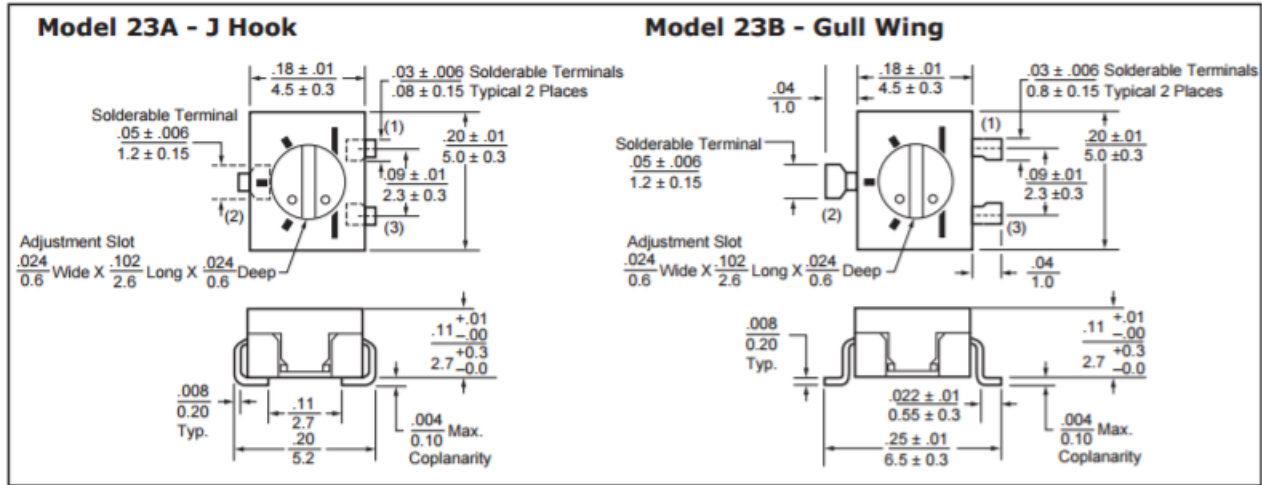
| | 23A | 23B | 23S |
|---|---------------------|--------------------|---------------------|
| A | $\frac{.079}{2.00}$ | $\frac{.051}{1.3}$ | $\frac{.079}{2.0}$ |
| B | $\frac{.079}{2.00}$ | $\frac{.079}{2.0}$ | $\frac{.079}{2.0}$ |
| C | $\frac{.051}{1.3}$ | $\frac{.051}{1.3}$ | $\frac{.051}{1.3}$ |
| D | $\frac{.091}{2.3}$ | $\frac{.091}{2.3}$ | $\frac{.10}{2.54}$ |
| E | $\frac{.157}{4.00}$ | $\frac{.217}{5.5}$ | $\frac{.137}{3.48}$ |

THROUGH HOLE

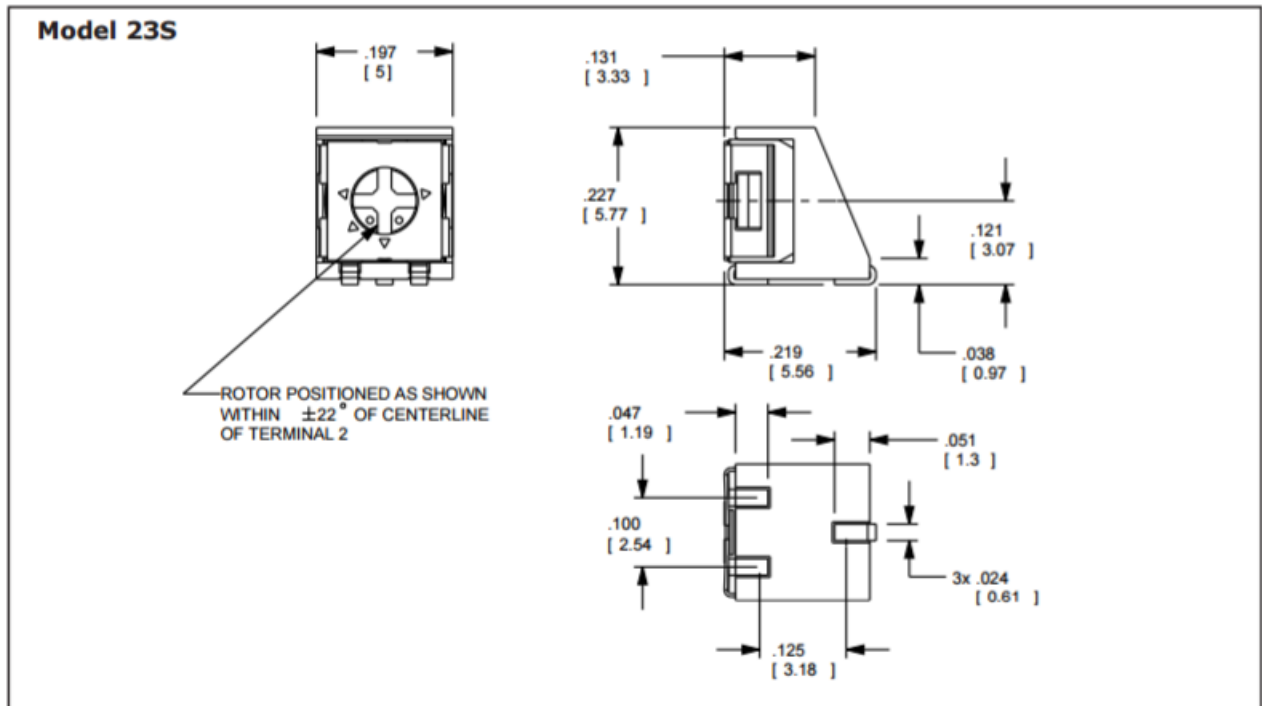


Outline Drawings

TOP ADJUSTMENT



SIDE ADJUSTMENT



Looking for pricing, stock, or lifecycle information?

Click below to explore more details on WIN SOURCE:

 [View 23BR20KLFTR on WIN SOURCE](#)

 [TT Electronics](#) Information

Optimize Your Supply Chain with WIN SOURCE Solutions

-  Global Sourcing Solution
-  Obsolete Management
-  Cost Control Management
-  Shortage Management
-  Alternative Solution
-  Excess Inventory Management