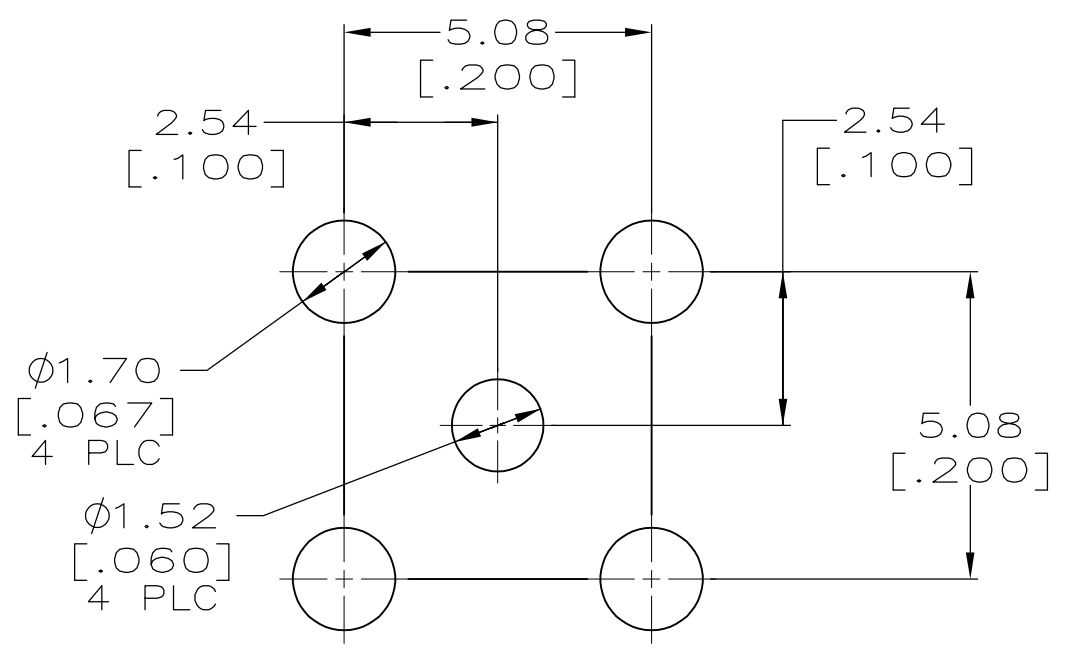
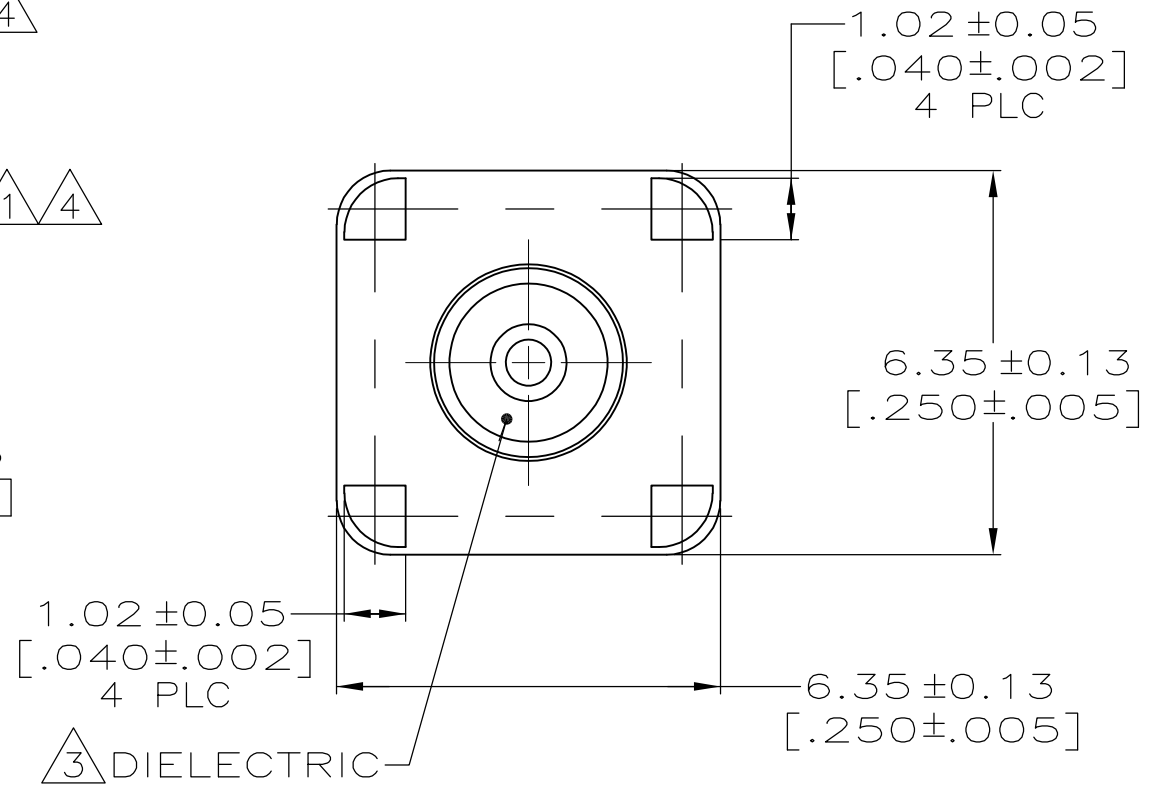
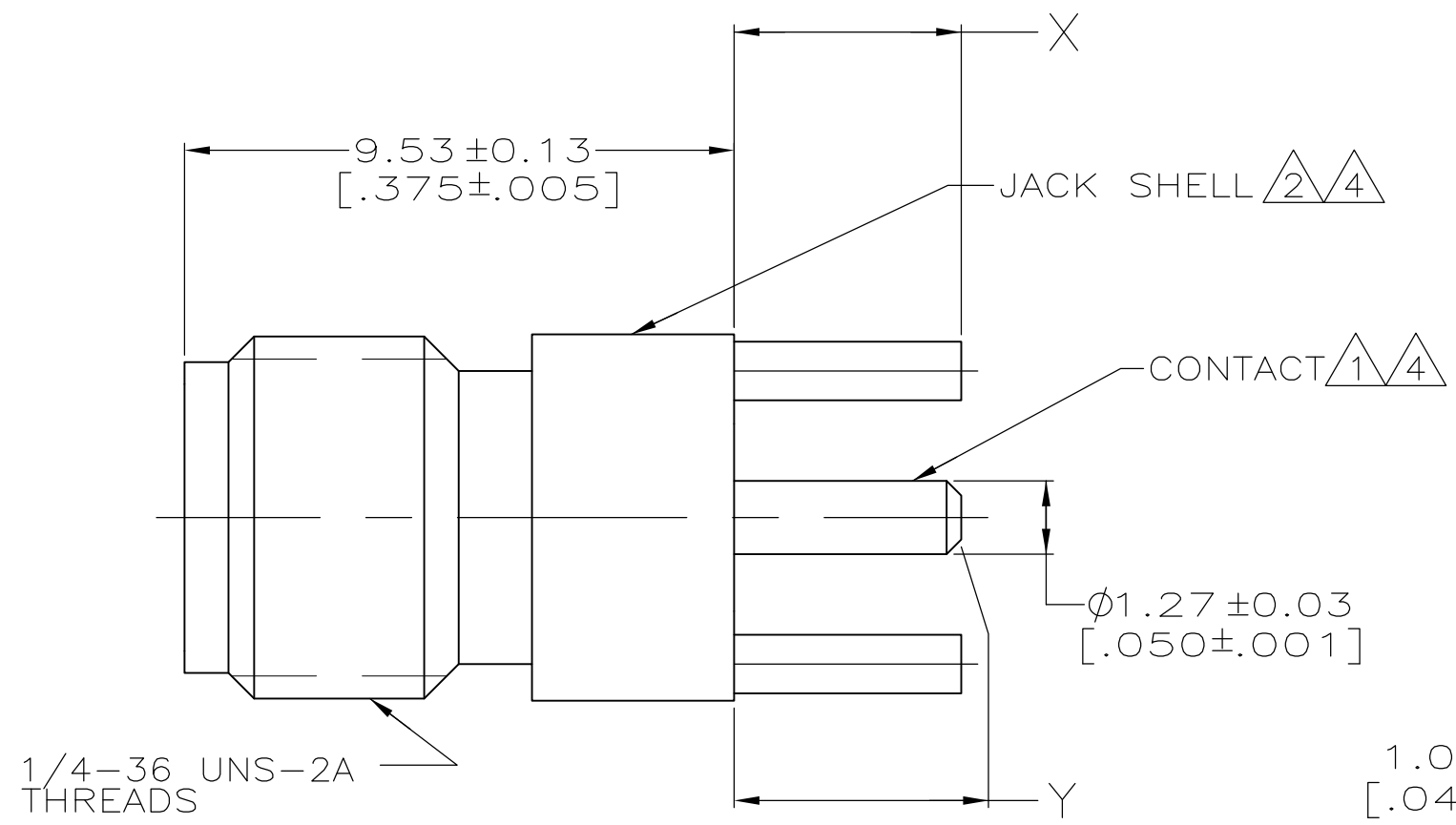




THIS DRAWING IS UNPUBLISHED. RELEASED FOR PUBLICATION  
 © COPYRIGHT - By - ALL RIGHTS RESERVED.

LOC	DIST	REVISIONS			
P	LTR	DESCRIPTION	DATE	DWN	APVD
AJ	16	F	ECR-12-017548	07JUN13	AM MY

- ① BERYLLIUM COPPER PER ASTM-B-197.
- ② BRASS PER ASTM-B-16.
- ③ PTFE, PER ASTM-D-1710.
- ④ GOLD PLATE PER MIL-G-45204.
- ⑤ PACKAGED ON TAPE & REEL PER EIA-STD481 WITH SOLDER LEGS DOWN.




RECOMMENDED PCB CONFIGURATION

OBSOLETE	⑤	2.67 <sup>+0.25</sup> / <sub>-0.15</sub> [.105 <sup>+0.010</sup> / <sub>-.006</sub> ]	2.67 ± 0.13 [.105 ± 0.005]	221789-4
		2.67 <sup>+0.25</sup> / <sub>-0.15</sub> [.105 <sup>+0.010</sup> / <sub>-.006</sub> ]	2.67 ± 0.13 [.105 ± 0.005]	221789-3
		3.94 [.155]	3.94 ± 0.25 [.155 ± 0.010]	221789-1
		Y	X	PART NUMBER

THIS DRAWING IS A CONTROLLED DOCUMENT.		DWN B. MOYER 25NOV97	<b>STE</b> TE Connectivity		
DIMENSIONS: mm [INCHES]		CHK J. CABARLO 25NOV97			
TOLERANCES UNLESS OTHERWISE SPECIFIED:		APVD J. CABARLO 25NOV97	NAME JACK, VERTICAL, PCB, SMA SERIES		
0 PLC ± -		PRODUCT SPEC	SIZE		
1 PLC ± -		APPLICATION SPEC	CAGE CODE		
2 PLC ± 0.08 [.003]		WEIGHT	DRAWING NO		
3 PLC ± -		CUSTOMER DRAWING	RESTRICTED TO		
4 PLC ± -			A3 00779 C-221789		
ANGLES ± -		SCALE 8:1			
FINISH		SHEET 1 OF 1			
① ② ③		REV F			

## Looking for pricing, stock, or lifecycle information?

Click below to explore more details on WIN SOURCE:

 [View 221789-1](#) on WIN SOURCE

 [TE Connectivity](#) Information

## Optimize Your Supply Chain with WIN SOURCE Solutions

-  Global Sourcing Solution
-  Obsolete Management
-  Cost Control Management
-  Shortage Management
-  Alternative Solution
-  Excess Inventory Management