

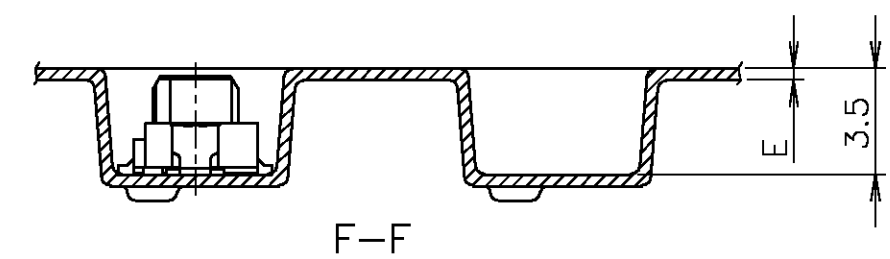
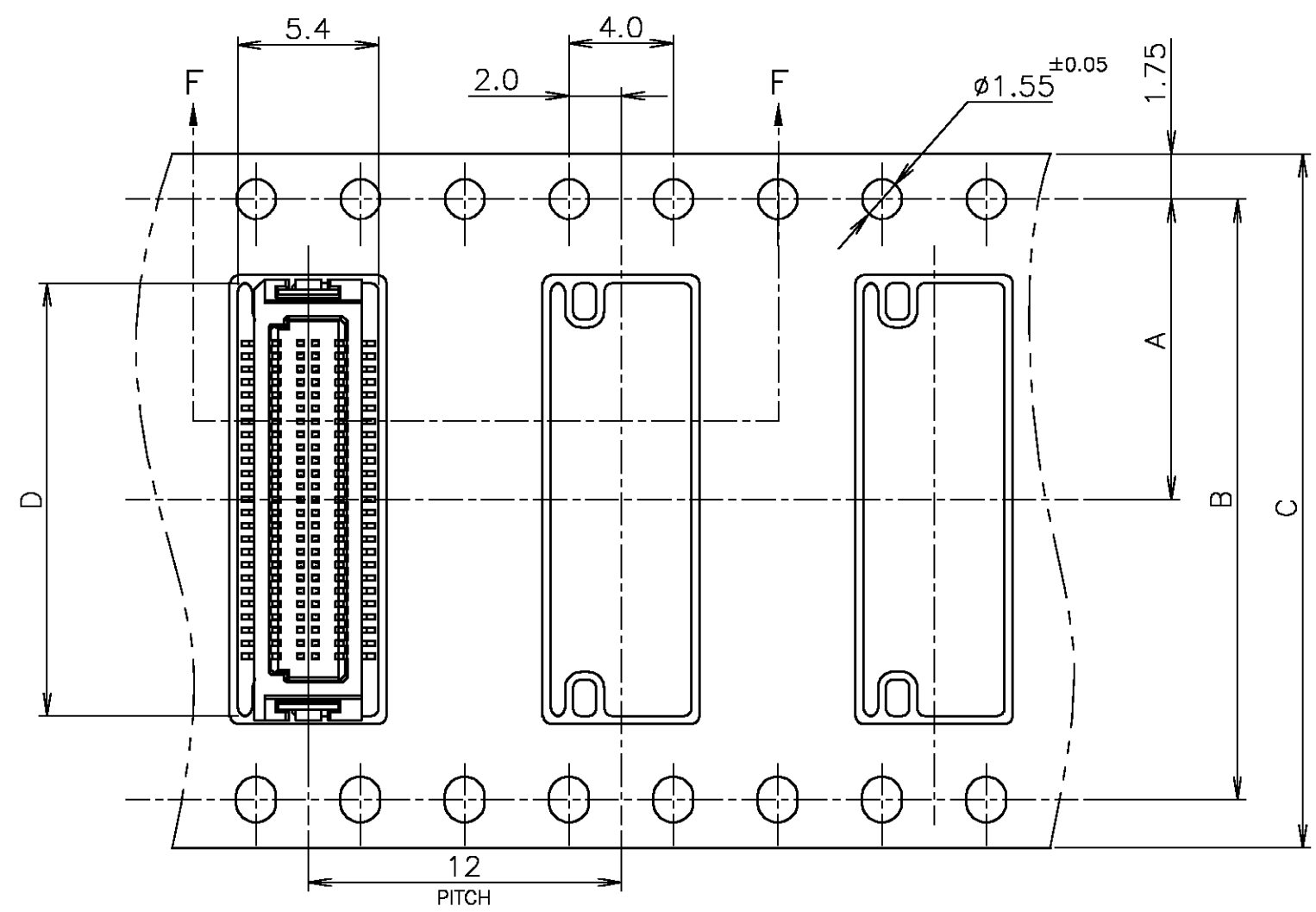


THE DATASHEET OF
1747022-9

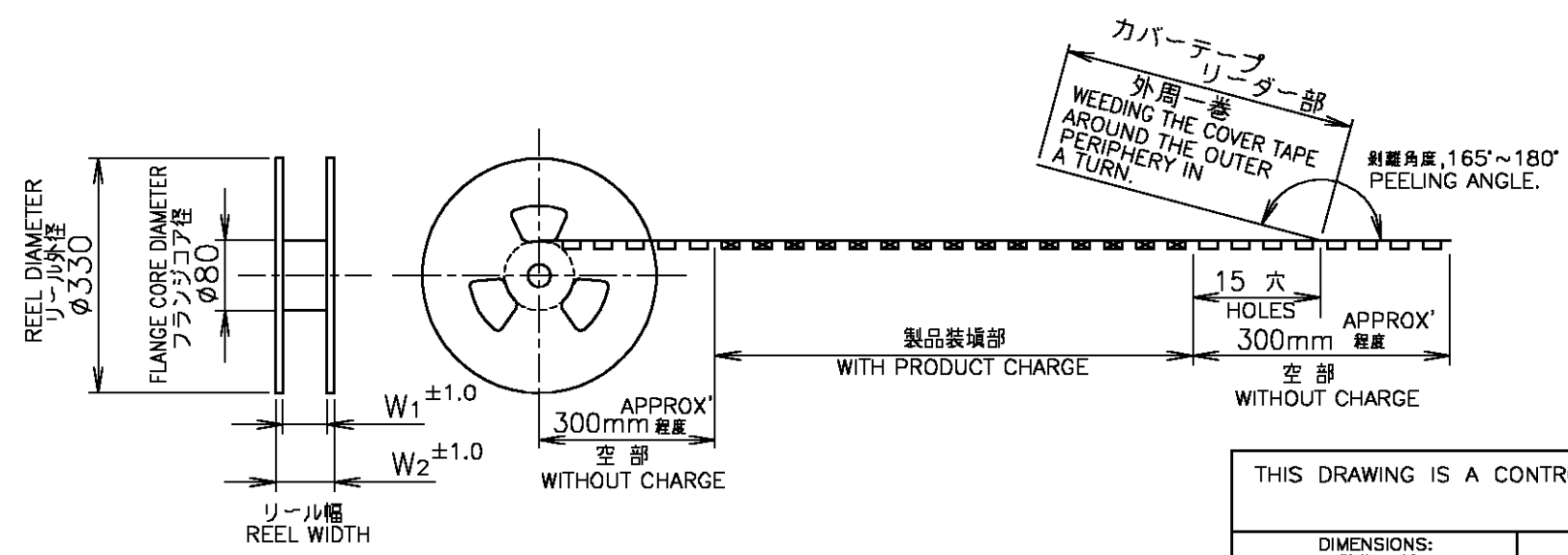


THIS DRAWING IS UNPUBLISHED. RELEASED FOR PUBLICATION FEB, 1997.
 © COPYRIGHT 1997 BY TYCO ELECTRONICS CORPORATION. ALL RIGHTS RESERVED.

LOC		DIST		REVISIONS			DATE	DWN	APVD
J				P	LTR	DESCRIPTION			
				0	REREASE	FJB0-396-03	16APR04	Y.N	



引出し方向
TOP OF REEL →



鉛フリー
LEAD FREE

THIS DRAWING IS A CONTROLLED DOCUMENT.

DIMENSIONS: 単位: 耗 MM	TOLERANCES UNLESS OTHERWISE SPECIFIED: 一般公差
	0 PLC ± 0.2
	1 PLC ± 0.2
	2 PLC ± 0.2
	3 PLC ± 0.2
	4 PLC ± 0.2
	ANGLES ± 3'
MATERIAL 材料	FINISH 仕上

INSTRUCTION SHEET 取扱説明書 411-5808	WIRE RANGE 抱合電線断面積	INSULATION DIA 被覆外径
DWN Y.NAKAZAWA 16APR04	Tyco Electronics AMP K.K. Kawasaki, Japan	
CHK	NAME 名称	
APVD	ON TAPING (EMBOSS) 0.5mm PITCH FINE MATE CONN. RECEPTACLE ASSEMBLY WITH KEY & BOSS	
PRODUCT SPEC 製品規格 108-5496	SIZE A3	CAGE CODE 00779
APPLICATION SPEC 取付適用規格	DRAWING NO 番号 C-1747022	RESTRICTED TO
WEIGHT	SCALE 尺度 4:1	SHEET 1 OF 2
CUSTOMER DRAWING		REV 0

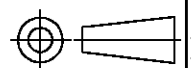
THIS DRAWING IS UNPUBLISHED. RELEASED FOR PUBLICATION FEB, 1997.
 © COPYRIGHT 1997 BY TYCO ELECTRONICS CORPORATION. ALL RIGHTS RESERVED.

LOC	DIST	REVISIONS 変更					
		P	LTR	DESCRIPTION	DATE	DWN	APVD
J			-	SEE SHEET 1	-	-	-

BOSS	DIMENSIONS										QTY/ REEL	POS	CONNECTOR P/N	TAPING P/N
	W2	W1	E	D	C	B	A							
WITH BOSS	36.7	33.5	0.4	22.2	32	28.4	14.2	1000	70	5-1747023-4	5-1747022-4			
	49.5	45.5	0.38	24.7	40	40.4	20.2	1000	80	5-1747023-3	5-1747022-3			
WITHOUT BOSS	20.7	17.5	0.38		8.7	16	7.5	1000	16	1-1747023-0	1-1747022-0			
	20.2	17.5	0.4		9.7	16	7.5	1000	20	1747023-9	1747022-9			
	49.5	45.5	0.38	24.7	40	40.4	20.2	1000	80	1747023-3	1747022-3			

鉛フリー
LEAD FREE

THIS DRAWING IS A CONTROLLED DOCUMENT.

DIMENSIONS: 単位: 耗 MM	TOLERANCES UNLESS OTHERWISE SPECIFIED: 一般公差
	0 PLC ± 0.2 1 PLC ± 0.2 2 PLC ± 0.2 3 PLC ± 0.2 4 PLC ± 0.2 ANGLES ± 3'
MATERIAL 材料	FINISH 仕上

INSTRUCTION SHEET 取扱説明書 411-5808	WIRE RANGE 包含電線断面積 -	INSULATION DIA 被覆外径 -
DWN	Tyco Electronics AMP K.K. Kawasaki, Japan	
CHK	NAME 名称 ON TAPING (EMBOSS) 0.5mm PITCH FINE MATE CONN. RECEPTACLE ASSEMBLY WITH KEY & BOSS	
APVD	PRODUCT SPEC 製品規格 108-5496	APPLICATION SPEC 取付適用規格
WEIGHT	SIZE A3	CAGE CODE 00779
CUSTOMER DRAWING	DRAWING NO 番号 C-1747022	RESTRICTED TO
	SCALE 尺度 4:1	SHEET 2 OF 2
		REV 0

Looking for pricing, stock, or lifecycle information?

Click below to explore more details on WIN SOURCE:

 [View 1747022-9 on WIN SOURCE](#)

 [TE Connectivity](#) Information

Optimize Your Supply Chain with WIN SOURCE Solutions

-  Global Sourcing Solution
-  Obsolete Management
-  Cost Control Management
-  Shortage Management
-  Alternative Solution
-  Excess Inventory Management