



**THE DATASHEET OF  
170M1563D**



# HIGH SPEED Dual Indication Fuse-Links

## HSDI

Square Body DIN 43620 - 690V (IEC/UL), Size 000 to 00, 10 to 315 Amps



### Standards/Approvals:

CE, designed and tested to IEC 60269: part 4. UL recognised (Survival Only), CSA

### Description:

Square body DIN 43620 blade style, dual indication High Speed fuses

### Packaging:

Size 000 are packed in 10's  
Size 00 are packed in 6's

### Technical Data:

Rated Voltage: 690 Vac  
Amps: 10A to 315A  
Rated Breaking Capacity: 200kA RMS Sym  
RoHS Compliant: Yes

**Catalogue Symbol:** 170M1558D to 170M1572D

**Class of Operation:** gR (10 to 63A), aR (80 to 315A)

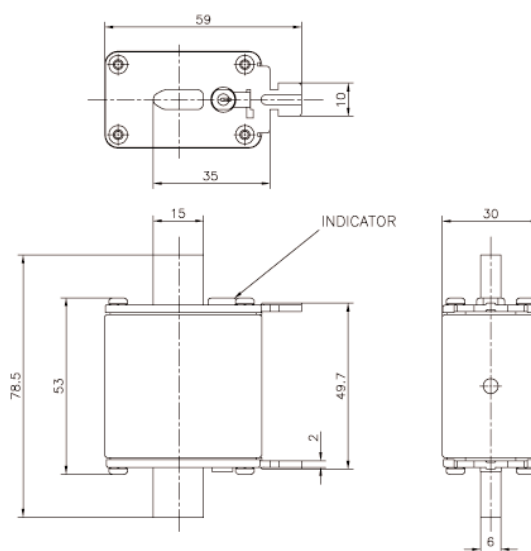
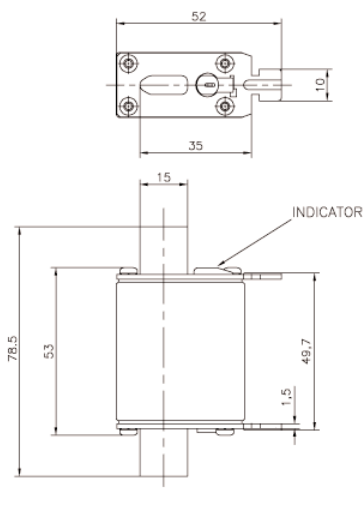
### Dimensional Data:

DIN 000 Type T

1mm = 0.0394" / 1" = 25.4mm

DIN 00 Type T

1mm = 0.0394" / 1" = 25.4mm



# HIGH SPEED Dual Indication Fuse-Links

## Square Body DIN 43620 - 690V (IEC/UL), 10 to 315 Amps

# HSDI

### Catalogue Numbers:

**Standard Approvals:** CE, IEC 60269: part 4, UL recognised (Survival Only), CSA

**Technical Data:** 10, 16, 20, 25, 32, 40, 50, 63, 80, 100, 125, 160, 200, 250, 315\* Amps

Part Numbers	Size	Rated Current RMS Amps	I <sup>2</sup> t (A <sup>2</sup> sec)		Watts Loss
			Minimum Pre-Arcing	Clearing at 690V	
170M1558D	000	10	4	27	2.5
170M1559D	000	16	7	51	4
170M1560D	000	20	11.5	82.5	5
170M1561D	000	25	19	140	6
170M1562D	000	32	40	285	7
170M1563D	000	40	65	490	8.5
170M1564D	000	50	115	815	9.5
170M1565D	000	63	215	1550	11.5
170M1566D	000	80	380	2700	15
170M1567D	000	100	695	4950	16.5
170M1568D	000	125	1180	8250	21.5
170M1569D	000	160	2300	16500	25
170M1570D	000	200	4350	31000	29.5
170M1571D	000	250	7900	56000	35.5
170M1572D	00	315*	12000	84500	45

\* 315A is only available in size DIN00

The rated current of this fuse range has been given with copper conductors that have a high current density of 1.3A/mm<sup>2</sup> (IEC 60269-4). For conductor cross section according to IEC 60269-1, the fuses with a rated current higher than 125A must be derated. Please contact Cooper Bussmann for application assistance.

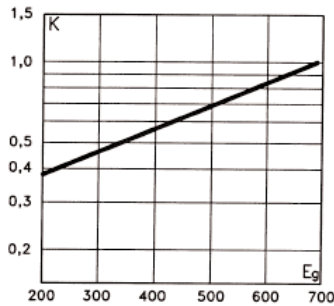
# HIGH SPEED Dual Indication Fuse-Links

## Square Body DIN 43620 - 690V (IEC/UL), 10 to 315 Amps

**HSDI**

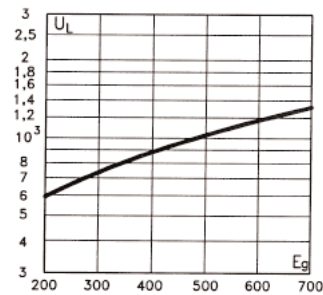
### Total Clearing I<sup>2</sup>t

The total clearing I<sup>2</sup>t at rated voltage and at power factor of 15% are given in the electrical characteristics. For other voltages, the clearing I<sup>2</sup>t is found by multiplying by correction factor, K, given as a function of applied working voltage Eg (rms)



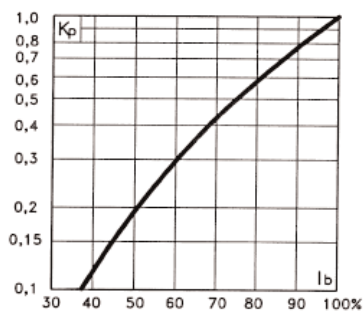
### Arc Voltage

This curve gives the peak arc voltage, UL, which may appear across the fuse during its operation as a function of the applied working voltage, Egrection factor, K, given as a function of applied working voltage Eg (rms) at a power factor of 15%



### Power Losses

Watts loss at rated current is given in the electrical characteristics. The curve allows the calculation of the power losses at load currents lower than the rated current. The correction factor, Kp, is given as a function of the RMS load current, Ib, in % of the rated current.

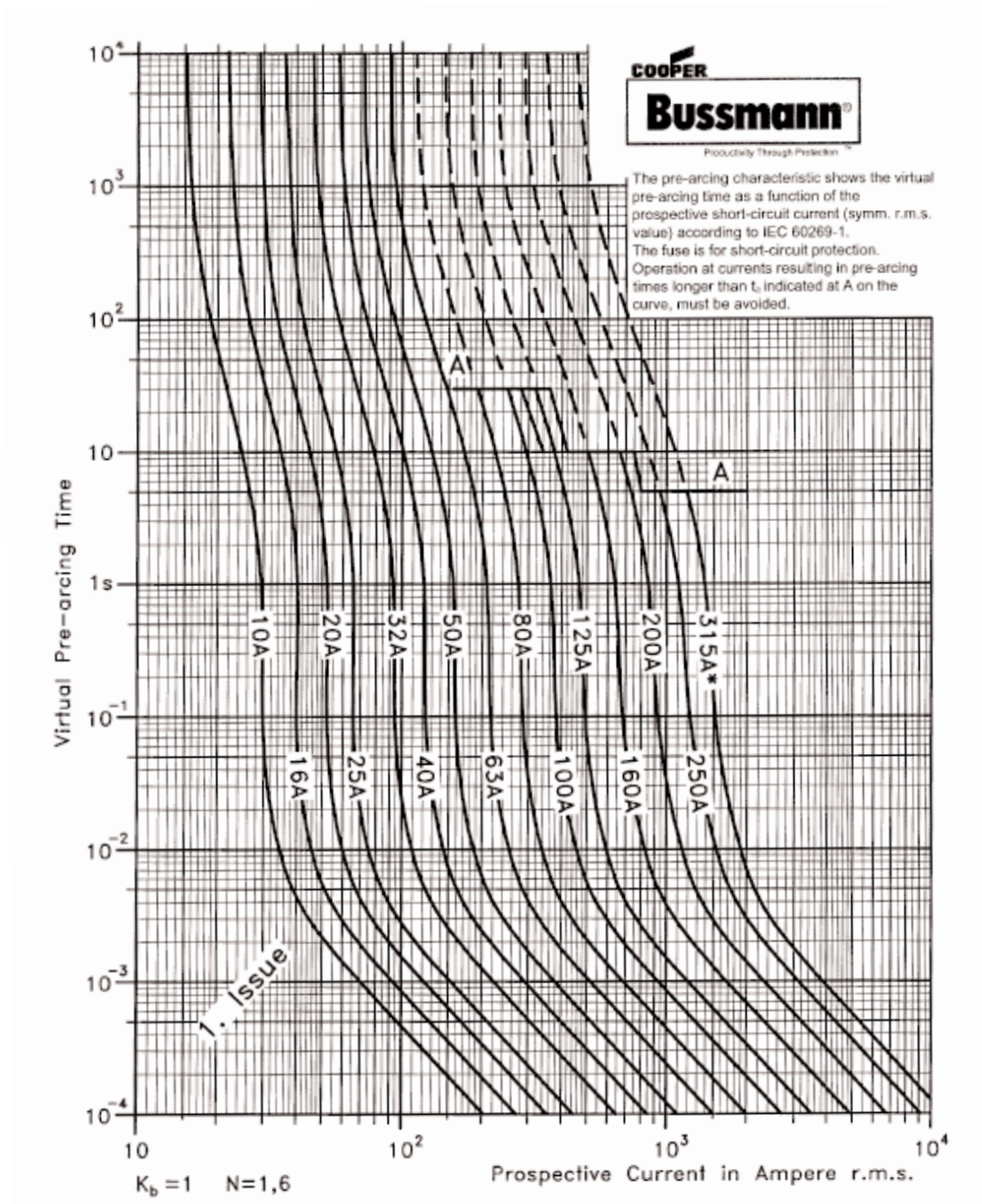


# HIGH SPEED Dual Indication Fuse-Links

Square Body DIN 43620 - 690V (IEC/UL), 10 to 315 Amps

HSDI

## Time Current Curves

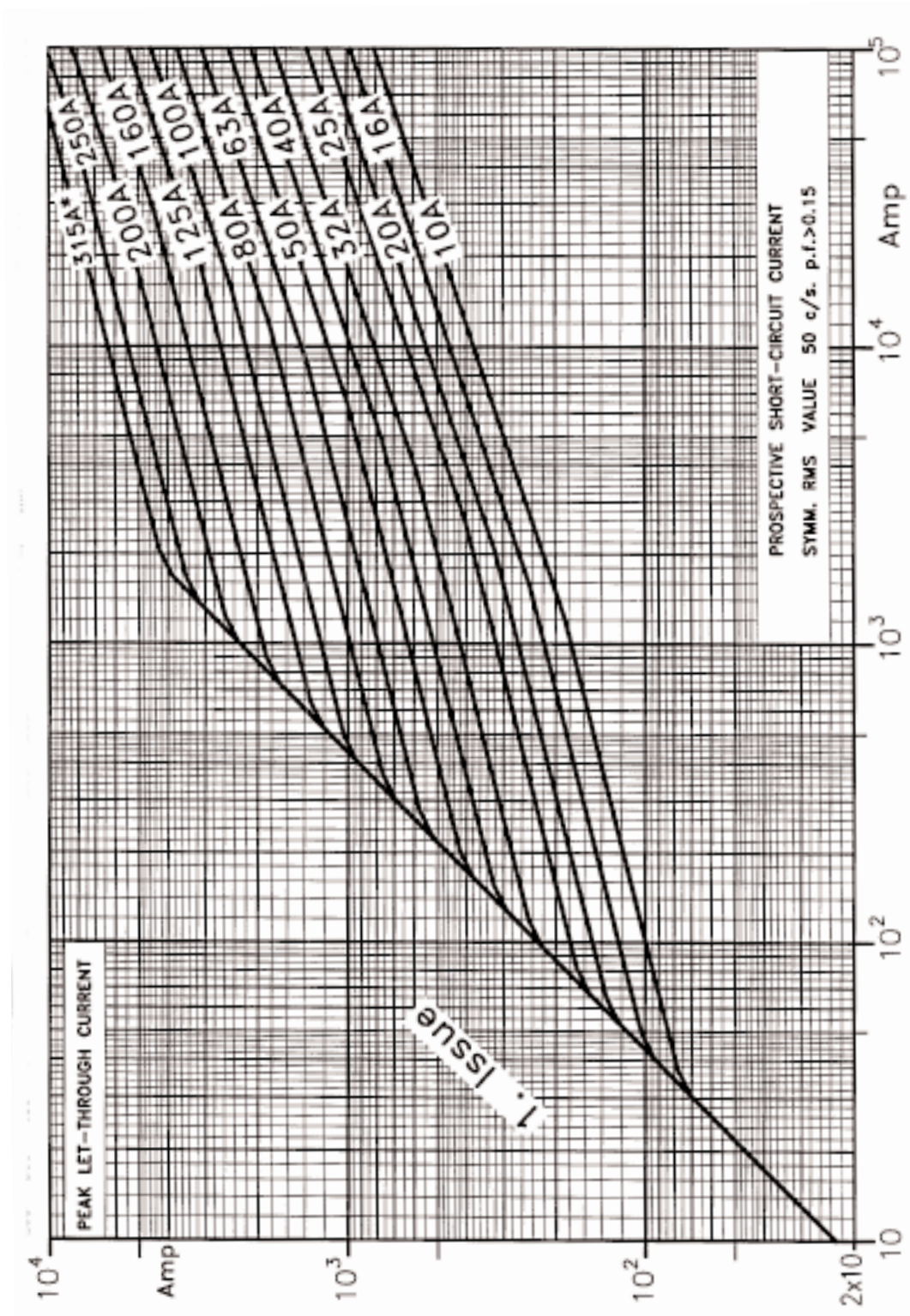


# HIGH SPEED Dual Indication Fuse-Links

Square Body DIN 43620 - 690V (IEC/UL), 10 to 315 Amps

HSDI

## Peak Let-Through



## Looking for pricing, stock, or lifecycle information?

Click below to explore more details on WIN SOURCE:

- [View 170M1563D on WIN SOURCE](#)
- [Eaton Bussmann Information](#)

## Optimize Your Supply Chain with WIN SOURCE Solutions

- ✓ Global Sourcing Solution
- ✓ Obsolete Management
- ✓ Cost Control Management
- ✓ Shortage Management
- ✓ Alternative Solution
- ✓ Excess Inventory Management