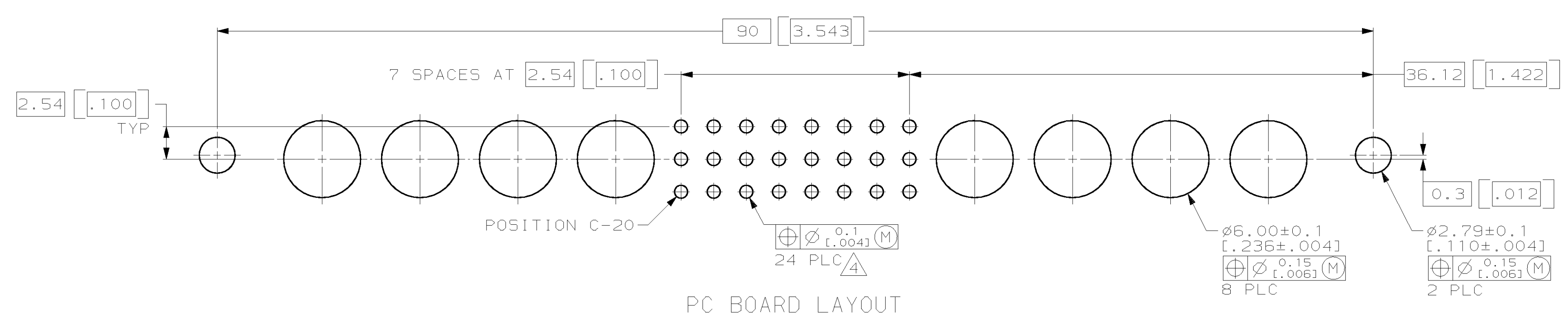
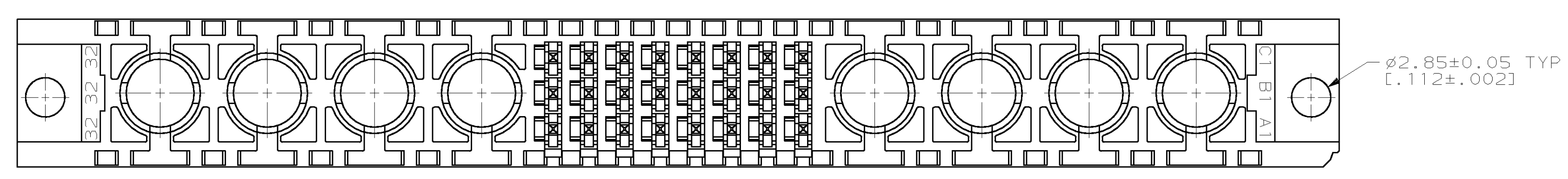
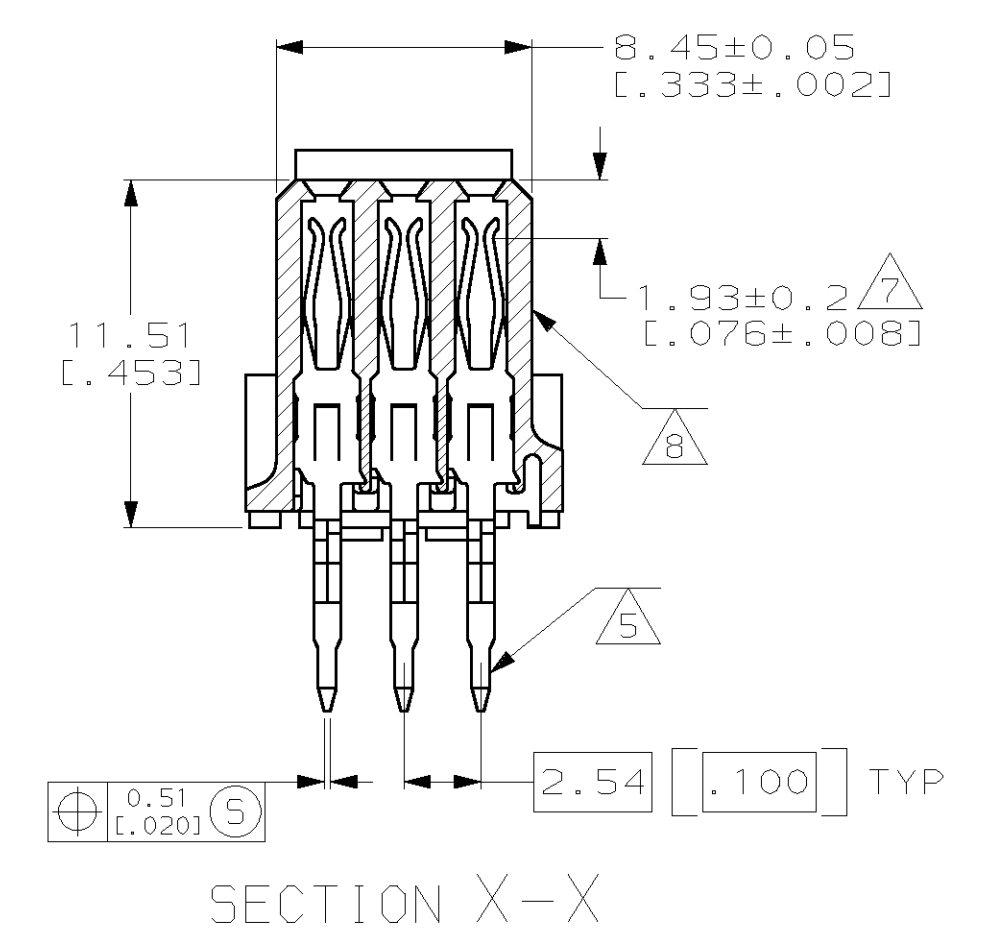
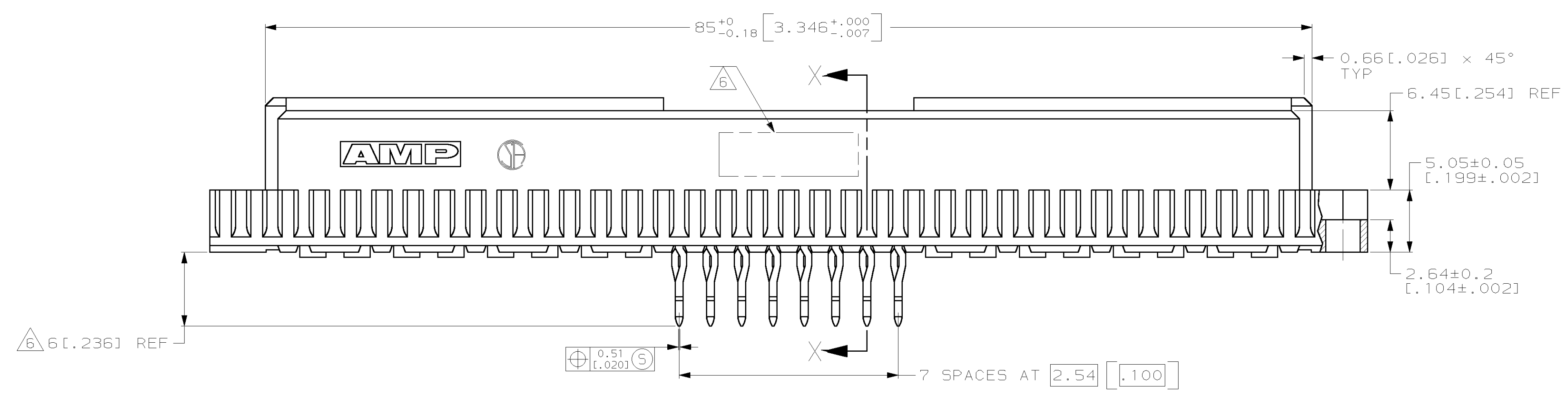
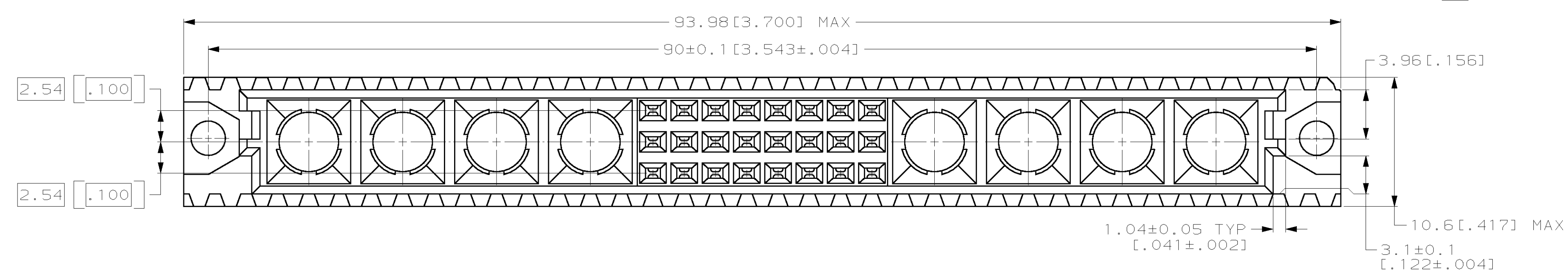


REVOLUTIONS		DATE	OWN	APPROV
AD	25			
	0	DRAWN	-	-
	A	REV PER EC 0621-80-99	06 APR 99	BC CR

- ① HOUSING MATERIAL: GLASS-FILLED POLYESTER. COLOR: GRAY.
- ② CONTACT MATERIAL: PHOSPHOR BRONZE.
- ③ PART NUMBER AND DATE CODE HOT STAMPED IN THIS APPROXIMATE AREA.
- ④ ACTION PIN POSTS REQUIRE 1.57[.062] MINIMUM THICK PC BOARD. RECOMMENDED PC BOARD DRILLED HOLES ARE $\phi 1.151 \pm 0.025$ [.0453 \pm .0010] WITH 0.02-0.08[.001-.003] COPPER AND 0.008[.0003] MINIMUM TIN-LEAD PLATING. FINISHED HOLES AFTER PLATING $\phi 1.02 \pm 0.08$ [.040 \pm .002].
- ⑤ CONTACT FINISH: DIN 41612 CLASS 2 IN CONTACT AREA. TIN-LEAD PLATE ON POSTS.
- ⑥ TAIL LENGTH AFTER SEATED IN PC BOARD.
- ⑦ CONTACT POINT AFTER SEATED IN PC BOARD.
- ⑧ HOT STAMPING ON THIS SIDE.



148384-5
PART NUMBER

THIS DRAWING IS A CONTROLLED DOCUMENT.		DWN L. BRINER 8/11/97	AMP Incorporated Harrisburg, PA 17105-3608	
DIMENSIONS:		CHK R. PATTERSON 8/11/97	NAME RECEPTACLE ASSEMBLY, EUROCARD, TYPE M, 24 + 8 POSITION	
TOLERANCES UNLESS OTHERWISE SPECIFIED:		APPROV R. PATTERSON 8/11/97	SIZE A1	
mm		PRODUCT SPEC	CAGE CODE DRAWING NO 00779 C-148384	
0 PLC \pm		APPLICATION SPEC	RESTRICTED TO	
1 PLC ± 0.13 [.005]		WEIGHT	SCALE 4:1 SHEET 1 OF 1 REV A	
2 PLC \pm		CUSTOMER DRAWING		
3 PLC \pm				
4 PLC \pm				
ANGLES				
FINISH				
HOUSING: ①				
POST: ②				

Looking for pricing, stock, or lifecycle information?

Click below to explore more details on WIN SOURCE:

 [View 148384-5 on WIN SOURCE](#)

 [TE Connectivity](#) Information

Optimize Your Supply Chain with WIN SOURCE Solutions

-  Global Sourcing Solution
-  Obsolete Management
-  Cost Control Management
-  Shortage Management
-  Alternative Solution
-  Excess Inventory Management