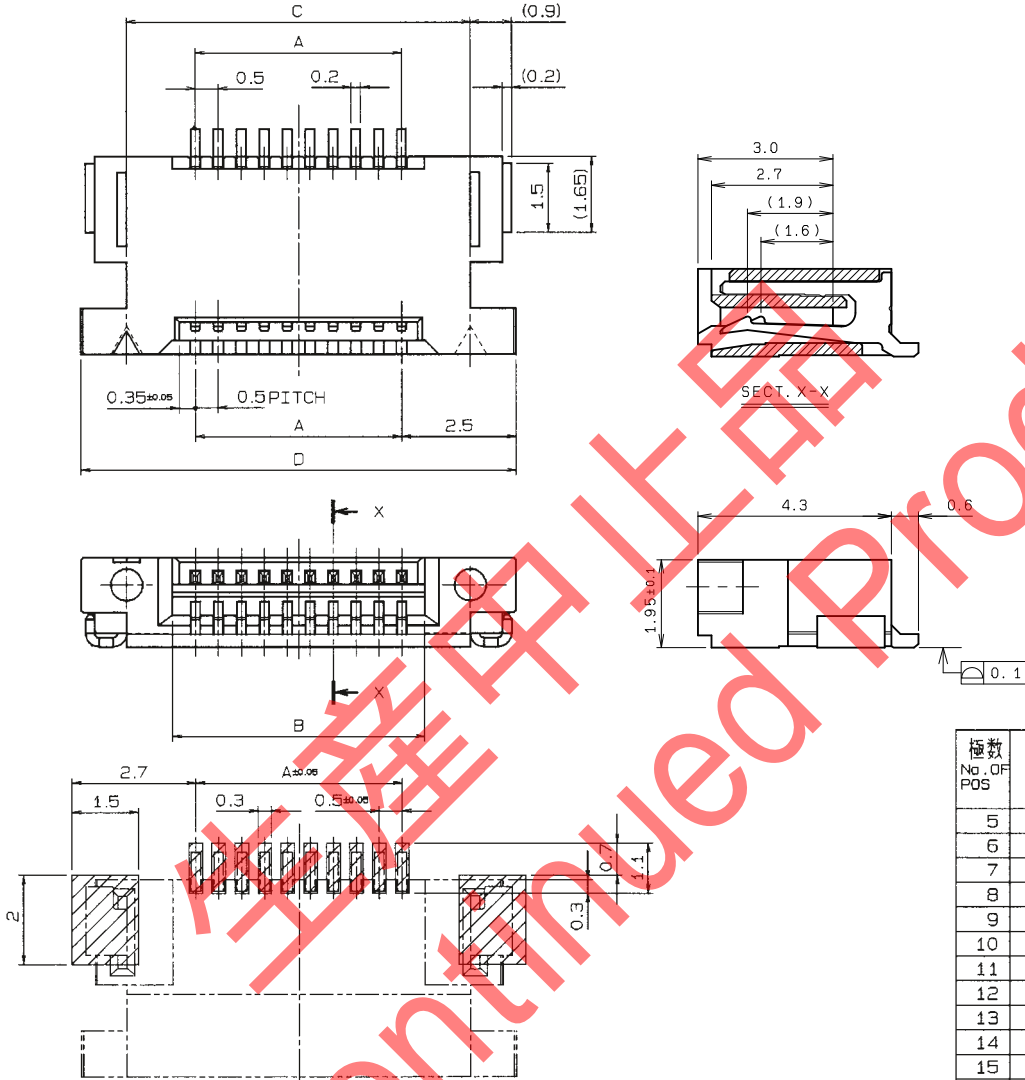


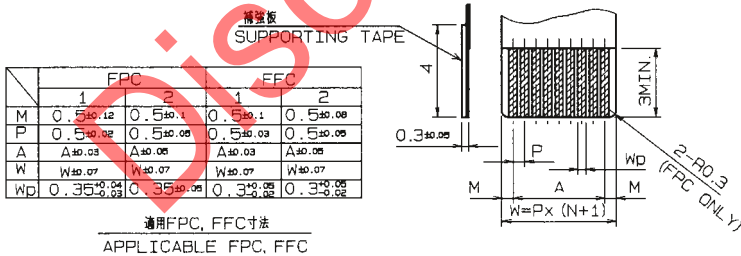
0.5mm Pitch
SERIES

6222

0.5mmピッチ NON-ZIF RA SMT 下接点
0.5mmPitch LIF RA SMT Bottom contact



推奨基板取付け寸法 (コネクタ搭載側)
MOUNTING LAYOUT (CONN. MOUNTING SIDE)



極数 No. OF POS	A	B	C	D
5	2.0	3.0	5.0	7.0
6	2.5	3.5	5.5	7.5
7	3.0	4.0	6.0	8.0
8	3.5	4.5	6.5	8.5
9	4.0	5.0	7.0	9.0
10	4.5	5.5	7.5	9.5
11	5.0	6.0	8.0	10.0
12	5.5	6.5	8.5	10.5
13	6.0	7.0	9.0	11.0
14	6.5	7.5	9.5	11.5
15	7.0	8.0	10.0	12.0
16	7.5	8.5	10.5	12.5
17	8.0	9.0	11.0	13.0
18	8.5	9.5	11.5	13.5
19	9.0	10.0	12.0	14.0
20	9.5	10.5	12.5	14.5
21	10.0	11.0	13.0	15.0
22	10.5	11.5	13.5	15.5
23	11.0	12.0	14.0	16.0
24	11.5	12.5	14.5	16.5
25	12.0	13.0	15.0	17.0
26	12.5	13.5	15.5	17.5
27	13.0	14.0	16.0	18.0
28	13.5	14.5	16.5	18.5
29	14.0	15.0	17.0	19.0
30	14.5	15.5	17.5	19.5
40	19.5	20.5	22.5	24.5

注文コード ORDERING CODE
08 6222 0XX 101 XXX+

RoHS 対応品
RoHS Compliant Product

800+ : スズ銅めっき Sn-Cu Plated
829+ : 金めっき Au Plated

極数 NUMBER OF POSITIONS

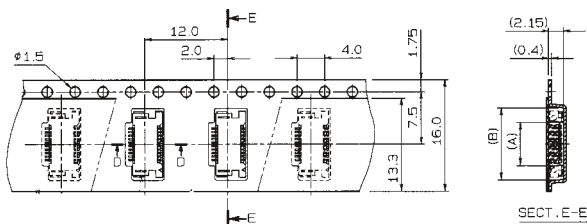
生産対応可能極数については、営業部に
ご確認ください。

Feel free to contact our sales department
for available numbers of positions.

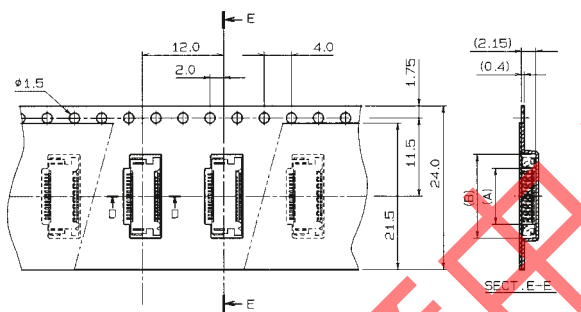
0.5mm Pitch
SERIES

6222

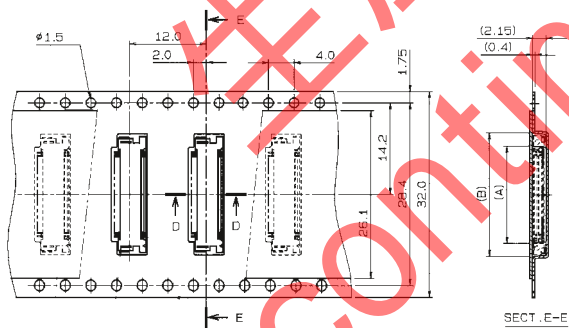
エンボス梱包品
Tape and Reel Package



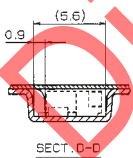
極数 NO. OF POS	A	B
5	3.2	7.3
6	3.7	7.8
7	4.2	8.3
8	4.7	8.8
9	5.2	9.3
10	5.7	9.8
11	6.2	10.3



極数 NO. OF POS	A	B
12	6.7	10.8
13	7.2	11.3
14	7.7	11.8
15	8.2	12.3
16	8.7	12.8
17	9.2	13.3
18	9.7	13.8
19	10.2	14.3
20	10.7	14.8
21	11.2	15.3
22	11.7	15.8
23	12.2	16.3
24	12.7	16.8
25	13.2	17.3
26	13.7	17.8
27	14.2	18.3



極数 NO. OF POS	A	B
28	14.7	18.8
29	15.2	19.3
30	15.7	19.8
40	20.7	24.8



注文コード ORDERING CODE

08 6222 0XX 101 XXX+

RoHS 対応品

RoHS Compliant Product

800+ : スズ銅めっき Sn-Cu Plated
829+ : 金めっき Au Plated

極数 NUMBER OF POSITIONS

生産対応可能極数については、営業部にご確認願います。

Feel free to contact our sales department for available numbers of positions.

梱包数量 2000個/リール
PACKING QUANTITY : 2000/Reel

Looking for pricing, stock, or lifecycle information?

Click below to explore more details on WIN SOURCE:

-  [View 086222030101800+ on WIN SOURCE](#)
-  [AVX Corp/Kyocera Corp Information](#)

Optimize Your Supply Chain with WIN SOURCE Solutions

-  Global Sourcing Solution
-  Obsolete Management
-  Cost Control Management
-  Shortage Management
-  Alternative Solution
-  Excess Inventory Management