



THE DATASHEET OF
0299040.ZXNV



MAXI Blade Fuses Rated 32V

The MAXI® fuse uses “Diffusion Pill Technology” to provide predictable time delay characteristics and low heat dissipation.

Specifications

Voltage Rating:
Interrupting Rating:
*Recommended Environmental Temperature:
Terminals Material:
Housing Material:

**MAXI
(Silver Plated)**
32 VDC
1000A @ 32 VDC
-40°C to +125°C
Silver plated zinc alloy
PA66
(U.L. 94 Flammability rating – V2)
5.7±5% gr
SAE J 1888, SAE 2576,
ISO 8820-3:2002(E)

**MAXI Sn
(Tin Plated)**
32 VDC
1000A @ 32 VDC
-40°C to +125°C
Tin plated zinc alloy
PA66
(U.L. 94 Flammability rating – V2)
5.7±5% gr
SAE J 1888, SAE 2576,
ISO 8820-3:2002(E)

Net Weight Per Fuse:
Complies with:

*Tin plating's temperature limit is ≈130°C, Silver plating allows up to 150°C at the interface.

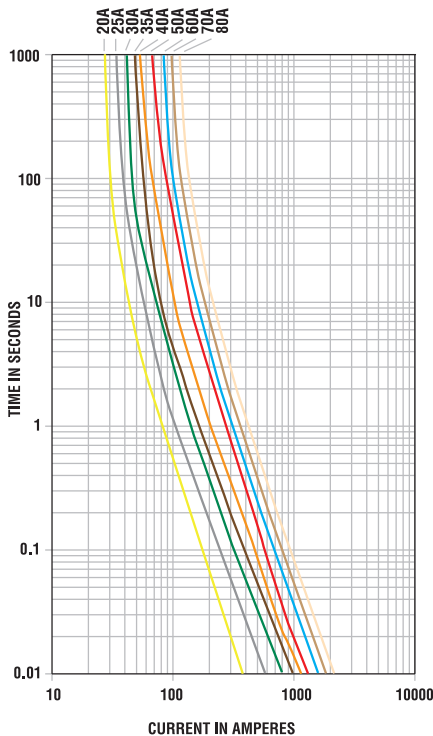


MAXI Blade Fuses



MAXI Sn Fuse (tin plated)

Time-Current Characteristic Curves



Ordering Information

| Part Number | Rating | Package Size |
|---------------------|---------|--------------|
| 0299xxx.ZXNV | 20 - 80 | 1200 |
| 0299xxx.L | 20 - 80 | 50 |
| 0299xxx.TXN | 20 - 80 | 10 |
| MAXI Sn Fuse | | |
| 0299xxx.ZXT | 20 - 80 | 1200 |

Time-Current Characteristics

| % of Rating | Opening Time Min / Max (s) |
|-------------|----------------------------|
| 100 | 360,000 / ∞ |
| 135 | 60 / 1,800 |
| 200 | 2 / 60 |
| 350 | 0.2 / 7 |
| 600 | 0.04 / 1 |

Ratings

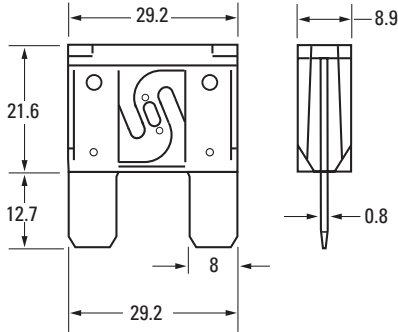
| Part Number | Current Rating (A) | Housing Material Color | Test Cable Size (mm ²) | Typ. Voltage Drop (mV) | Typ. Cold Resistance (mΩ) | Typ. I ² t (A ² s) |
|-------------|--------------------|------------------------|------------------------------------|------------------------|---------------------------|--|
| 0299020_ | 20 | Yellow | 4 | 76 | 3.10 | 1,100 |
| 0299025_ | 25 | Grey | 4 | 75 | 2.39 | 2,100 |
| 0299030_ | 30 | Green | 4 | 77 | 1.95 | 4,100 |
| 0299035_ | 35 | Brown | 4 | 75 | 1.71 | 6,000 |
| 0299040_ | 40 | Orange | 4 | 75 | 1.42 | 8,500 |
| 0299050_ | 50 | Red | 6 | 73 | 1.10 | 11,300 |
| 0299060_ | 60 | Blue | 6 | 77 | 0.89 | 15,300 |
| 0299070_ | 70 | Tan | 10 | 61 | 0.64 | 21,200 |
| 0299080_ | 80 | Light Yellow | 10 | 62 | 0.54 | 43,600 |

The typical I²t is an average value calculated from the breaking capacity tests by using the melting time before the arcing occurs.

MAXI Blade Fuses Rated 32V

Dimensions

Dimensions in mm for reference only.
See outline drawing for dimensions and tolerances.



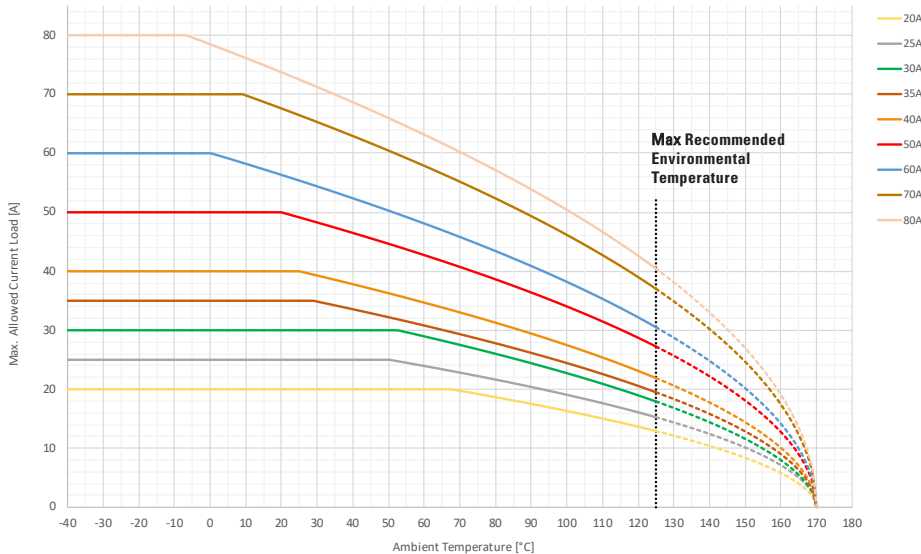
Temperature Table

| | max. allowed current load [A] at ambient temperature (typical derating) | | | | | | |
|------------|---|-----|------|------|------|-------|-------|
| | -40°C | 0°C | 20°C | 65°C | 85°C | 110°C | 125°C |
| 20A | 20 | 20 | 20 | 20 | 18 | 15 | 13 |
| 25A | 25 | 25 | 25 | 23 | 21 | 18 | 15 |
| 30A | 30 | 30 | 30 | 28 | 25 | 21 | 18 |
| 35A | 35 | 35 | 35 | 30 | 27 | 23 | 19 |
| 40A | 40 | 40 | 40 | 34 | 30 | 25 | 22 |
| 50A | 50 | 50 | 50 | 42 | 38 | 31 | 27 |
| 60A | 60 | 60 | 56 | 47 | 42 | 35 | 31 |
| 70A | 70 | 70 | 68 | 57 | 51 | 43 | 37 |
| 80A | 80 | 78 | 74 | 62 | 56 | 47 | 40 |

Typical Derating of Fuse Melting Element

Temperature Security Margin is 20%

Please contact Littelfuse® for Details Regarding Derating Test Set-Up.



Derating curves may change depending on the final condition of the application (terminals characteristics, wire size etc..). Please ask Littelfuse® for more information.

REV07272021

Littelfuse® products are not designed for, and shall not be used for, any purpose (including, without limitation, automotive, military, aerospace, medical, life-saving, life-sustaining or nuclear facility applications, devices intended for surgical implant into the body, or any other application in which the failure or lack of desired operation of the product may result in personal injury, death, or property damage) other than those expressly set forth in applicable Littelfuse® product documentation. Warranties granted by Littelfuse® shall be deemed void for products used for any purpose not expressly set forth in applicable Littelfuse® documentation. Littelfuse® shall not be liable for any claims or damages arising out of products used in applications not expressly intended by Littelfuse® as set forth in applicable Littelfuse® documentation. The sale and use of Littelfuse® products is subject to Littelfuse Terms and Conditions of Sale, unless otherwise agreed by Littelfuse®.

Looking for pricing, stock, or lifecycle information?

Click below to explore more details on WIN SOURCE:

 [View 0299040.ZXNV on WIN SOURCE](#)

 [Littelfuse Inc. Information](#)

Optimize Your Supply Chain with WIN SOURCE Solutions

-  Global Sourcing Solution
-  Obsolete Management
-  Cost Control Management
-  Shortage Management
-  Alternative Solution
-  Excess Inventory Management