

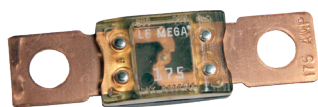


**THE DATASHEET OF
0298500.ZXH**





MEGA® Fuses



MEGA® Clear Top Housing Fuse

MEGA® and MEGA® Clear Top Fuse Rated 32V

The MEGA® Fuse is designed for high current circuit protection up to 500A with “Diffusion Pill Technology.” The MEGA® Fuse also provides time delay characteristics. Designed and patented by Littelfuse, the MEGA® Fuse is ideal for battery and alternator protection application and other heavy gauge cables requiring ultra-high current protection.

Specifications

| | |
|--|--|
| Voltage Rating: | 32 VDC |
| Interrupting Rating: | 2000A @ 32 VDC |
| Recommended Environmental Temperature: | -40°C to + 125°C |
| Terminals Materials: | Copper (Silver plated copper available) |
| Housing Material: | PPA-GF33HS (U.L. 94 Flammability rating - HB) |
| Clear Top Housing Material: | PES (top) (U.L. 94 Flammability rating - V0) PPA-GF33HS (bottom) (U.L. 94 Flammability rating - HB) |
| Mounting Torque M6: | 8-14 Nm |
| Mounting Torque M8: | 12-18 Nm |
| Complies with: | ISO 8820-5 |



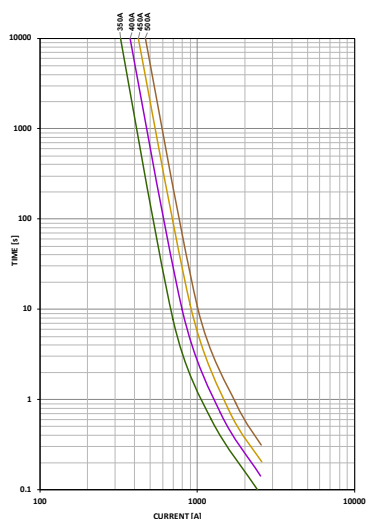
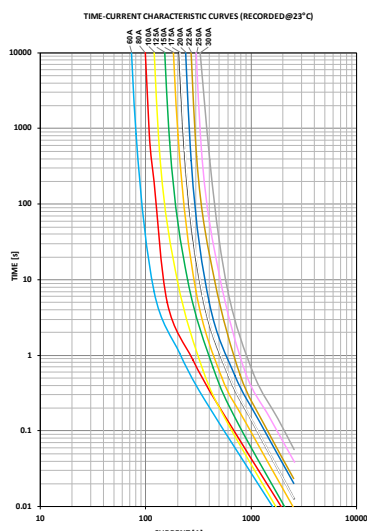
Ordering Information

| Part Number | Rating | Package Size | Plating | Bolt Size | Bolt Hole Qty |
|---------------|-----------|--------------|---------|-----------|---------------|
| 0298xxx.ZXEH | 80 - 250 | 500 | None | M8 | 2 |
| 0298xxx.ZXH | 300 - 500 | 500 | None | M8 | 2 |
| 0298xxx.UX1M8 | 80 - 500 | 500 | None | M8 | 1 |
| 0298xxx.ZXB | 40 - 250 | 500 | Ag | M8 | 2 |
| 0298xxx.ZXA | 80 - 500 | 500 | None | M6 | 2 |
| 0298xxx.UXT | 40 - 250 | 500 | None | M8 | 2 |

Time-Current Characteristics

| % of Rating | Opening Time Min / Max (s) | |
|-------------|----------------------------|------------|
| | 40-250 | 300-500 |
| 75 | - / - | 14,400 / ∞ |
| 100 | 14,400 / ∞ | - / - |
| 135 | 120 / 1800 | - / - |
| 200 | 1 / 15 | 1 / 15 |
| 350 | 0.3 / 5 | 0.5 / 5 |
| 600 | 0.1 / 1 | 0.1 / 1 |

Time-Current Characteristic Curves



MEGA Clear Top Housing Material Fuse

Ratings

| Part Number | Current Rating (A) | Color Code ³ | Test Cable Size (mm ²) | Typ. Voltage Drop (mV) | Typ. Cold Resistance (mΩ) | Typ. I ² t (A ² s) |
|-------------|--------------------|-------------------------|------------------------------------|------------------------|---------------------------|--|
| 0298040._1 | 40 | - | 4 | 132 | 2.51 | 8,700 |
| 0298060._1 | 60 | - | 6 | 119 | 1.50 | 21,000 |
| 0298080._ | 80 | Red | 10 | 87 | 0.72 | 21,500 |
| 0298100._ | 100 | Yellow | 16 | 87 | 0.56 | 31,100 |
| 0298125._ | 125 | Green | 16 | 80 | 0.42 | 57,800 |
| 0298150._ | 150 | Orange | 25 | 92 | 0.35 | 100,000 |
| 0298175._ | 175 | White | 25 | 86 | 0.29 | 168,000 |
| 0298200._ | 200 | Blue | 35 | 83 | 0.26 | 204,000 |
| 0298225._ | 225 | Brown | 35 | 82 | 0.22 | 257,000 |
| 0298250._ | 250 | Pink | 50 | 82 | 0.20 | 389,000 |
| 0298300._2 | 300 | Grey | 70 | 74 ⁴ | 0.17 | 315,000 |
| 0298350._2 | 350 | Dark Green | 70 | 68 ⁴ | 0.14 | 500,000 |
| 0298400._2 | 400 | Purple | 70 | 64 ⁴ | 0.13 | 610,000 |
| 0298450._2 | 450 | Light Yellow | 70 | 60 ⁴ | 0.11 | 1,050,000 |
| 0298500._2 | 500 | Brown | 70 | 58 ⁴ | 0.09 | 2,050,000 |

1: Not mentioned in ISO standards
 2: Short Circuit Protector only
 3: 0298xxx.ZXB has white font color on all ratings.
 4: Voltage Drop measurements for short circuit protectors taken at 75% of rated current.

The typical I²t is an average value calculated from the breaking capacity tests by using the melting time before the arcing occurs.

REV07272021

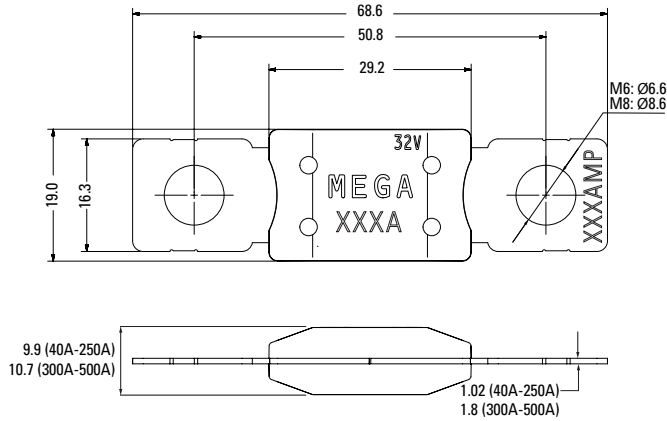
Littelfuse® products are not designed for, and shall not be used for, any purpose (including, without limitation, automotive, military, aerospace, medical, life-saving, life-sustaining or nuclear facility applications, devices intended for surgical implant into the body, or any other application in which the failure or lack of desired operation of the product may result in personal injury, death, or property damage) other than those expressly set forth in applicable Littelfuse® product documentation. Warranties granted by Littelfuse® shall be deemed void for products used for any purpose not expressly set forth in applicable Littelfuse® documentation. Littelfuse® shall not be liable for any claims or damages arising out of products used in applications not expressly intended by Littelfuse® as set forth in applicable Littelfuse® documentation. The sale and use of Littelfuse® products is subject to Littelfuse Terms and Conditions of Sale, unless otherwise agreed by Littelfuse®.

MEGA® Fuse Rated 32V

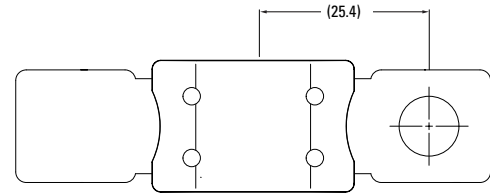
Dimensions

Dimensions in mm for reference only.
See outline drawing for dimensions and tolerances.

ZX & UXT Versions

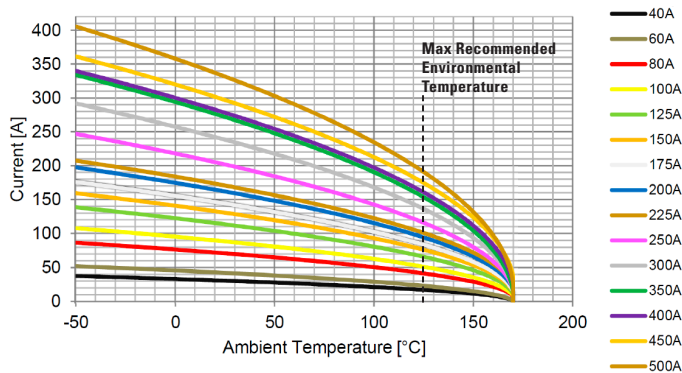


UX1M8 Version



Typical Derating

Temperature Security Margin is 20%
Please contact Littelfuse® for Details Regarding Derating Test Set-Up.



Derating curves may change depending on the final condition of the application (terminals characteristics, wire size etc.).
Please ask Littelfuse for more information.

Temperature Table

| max. allowed current load [A] at ambient temperature | | | | | | | | |
|--|-------|-----|------|------|------|------|-------|-------|
| | -20°C | 0°C | 20°C | 65°C | 85°C | 95°C | 105°C | 125°C |
| 40A | 35 | 33 | 31 | 26 | 23 | 22 | 20 | 17 |
| 60A | 48 | 46 | 43 | 36 | 32 | 30 | 28 | 23 |
| 80A | 81 | 76 | 72 | 61 | 55 | 52 | 49 | 41 |
| 100A | 101 | 95 | 90 | 76 | 69 | 65 | 61 | 51 |
| 125A | 129 | 123 | 116 | 98 | 88 | 83 | 78 | 66 |
| 150A | 149 | 141 | 133 | 112 | 102 | 96 | 90 | 76 |
| 175A | 164 | 156 | 147 | 124 | 112 | 106 | 99 | 84 |
| 200A | 184 | 175 | 165 | 139 | 126 | 119 | 112 | 94 |
| 225A | 194 | 184 | 174 | 147 | 134 | 127 | 119 | 101 |
| 250A | 230 | 218 | 205 | 173 | 157 | 147 | 138 | 116 |
| 300A | 272 | 258 | 242 | 204 | 184 | 174 | 162 | 136 |
| 350A | 311 | 294 | 277 | 232 | 209 | 197 | 184 | 154 |
| 400A | 317 | 300 | 283 | 239 | 216 | 204 | 191 | 161 |
| 450A | 337 | 320 | 302 | 256 | 232 | 219 | 206 | 175 |
| 500A | 378 | 358 | 337 | 284 | 257 | 242 | 227 | 191 |

REV07272021

Littelfuse® products are not designed for, and shall not be used for, any purpose (including, without limitation, automotive, military, aerospace, medical, life-saving, life-sustaining or nuclear facility applications, devices intended for surgical implant into the body, or any other application in which the failure or lack of desired operation of the product may result in personal injury, death, or property damage) other than those expressly set forth in applicable Littelfuse® product documentation. Warranties granted by Littelfuse® shall be deemed void for products used for any purpose not expressly set forth in applicable Littelfuse® documentation. Littelfuse® shall not be liable for any claims or damages arising out of products used in applications not expressly intended by Littelfuse® as set forth in applicable Littelfuse® documentation. The sale and use of Littelfuse® products is subject to Littelfuse Terms and Conditions of Sale, unless otherwise agreed by Littelfuse®.

Looking for pricing, stock, or lifecycle information?

Click below to explore more details on WIN SOURCE:

 [View 0298500.ZXH on WIN SOURCE](#)

 [Littelfuse Inc. Information](#)

Optimize Your Supply Chain with WIN SOURCE Solutions

-  Global Sourcing Solution
-  Obsolete Management
-  Cost Control Management
-  Shortage Management
-  Alternative Solution
-  Excess Inventory Management