



**THE DATASHEET OF  
026TB32R502B1A1**





# Series 026

## 24mm Wirewound Rotary Potentiometer

- 5-watt Power Rating
- Superior Stability in Shifting Environments
- Wide Operating Temperature Range
- Precision Linearity
- Tandem Constructions Available
- Variety of Bushing and Shaft Options
- Available with Pull-Push and Rotary Power Switches
- Variety of Terminal Styles

### Ordering Information

Series	Terminal Style	Mounting Style "A"	Shaft Length "L"	Shaft Trim	Resistance Code	Resistance Tolerance	Taper	Switch Option	A/R Lug Options
026	T	2	20	R	103	B	1	A	1

Code	Spec.
T	Solder lug
X	PC (STD)
Y	PC (Long)
U	PC formed to front
V	PC formed to rear
S	FASTON

Metal Shaft	
20	.625" (15.9mm)
24	.750" (19.1mm)
28	.875" (22.2mm)
32	1.000" (25.4mm)
<i>Diameter: .250"</i>	
<i>Length increment: 1/32"</i>	

Code	Resistance
5A0	5 Ω
501	500 Ω
102	1 kΩ
252	2.5 kΩ
103	10 kΩ

Code	Spec.
1	Linear
2	20% Audio
3	20% CCW Audio

Code	Spec.
A	±10%
B	±20%
D	±5%

Code	Spec.
1	Left side lug
2	Right side lug
3	No lug
Bilateral lugs	
5	(Available with brass bushing only)

Brass Bushing	
2	.250" (6.35mm)
3	.375" (9.53mm)
8	1.000" (25.4mm)
<i>Diameter: 3/8"- 32UNEF-2A</i>	
<i>Length increment: 1/8"</i>	

Die-Cast Bushing	
A	.250" (6.35mm)
B	.375" (9.53mm)

Twist Tab	
1	Twist tab

Code	Spec.
R	Round
F	Flatted
K	Split Knurl (24 Teeth)
S	Slotted

Code	Switch	Actuation	Type
A	None	—	—
B	SPST	Rotary	TGC
C	DPST	Rotary	FR-027
D	SPDT	Rotary	FR-028
E	SPST	Push-Pull	FR-K
F	SPST	Rotary	FR-GC

### Electrical Specifications

Parameter	Conditions & Remarks	Min	Max	Unit
Resistance Range	Linear	1	25k	Ω
	Audio	20	10k	Ω
Resistance Tolerance	Standard ±20% Special ±10%, ±5%			
Dielectric Strength	1 minute		1,000	VAC
Power Rating	@ 25°C		5	watts
Operating Voltage			500	VDC
Insulation Resistance	@ 250VDC	100		MΩ
Effective Angle (no switch)			280	°
Effective Angle (with switch)			240	°
Linearity (linear curve only)	Standard		3	%
	Special		2	%

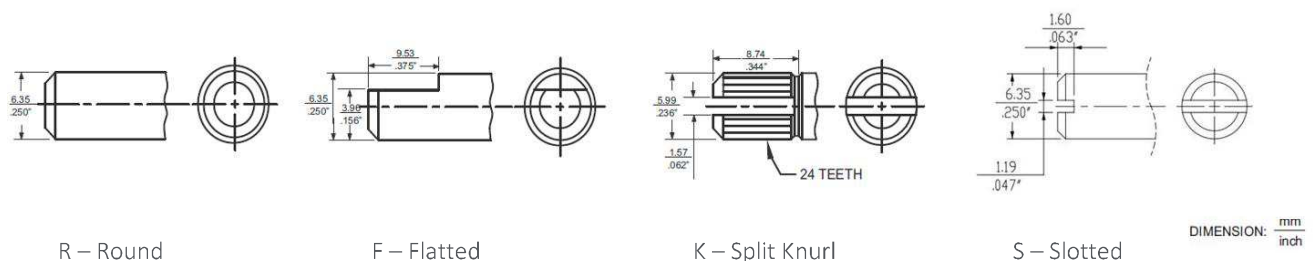
### Mechanical and Environmental

Parameter	Conditions & Remarks	Min	Max	Unit
Operating Temperature Range		-30	+105	°C
Storage Temperature		-40	+85	°C
Rotational Torque		0.75	6	in-oz
Rotational Life	Standard		10,000	cycles
	Special		50,000	cycles
	Special		100,000	cycles
Mechanical Angle		295	305	°
Power Switch:	Rotary – SPST, DPST & SPDT Push-Pull – SPST			
Mounting Information	Bushing mount or twist tab			
Soldering Condition:	Maximum temperature of 350°C for 3 seconds			
Packaging:	Standard paper box packaging			

All testing is performed at room ambient conditions except as noted. Users should verify device actual performance in their specific applications. This product is compliant to RoHS3 Directive 2011/65/EU & 2015/863 Amendments of Annex II on 31 March 2015. Custom and value-added options available on request. Please contact your sales representative for additional information.

### Electrical and Mechanical Specifications

#### Shaft Trim Options



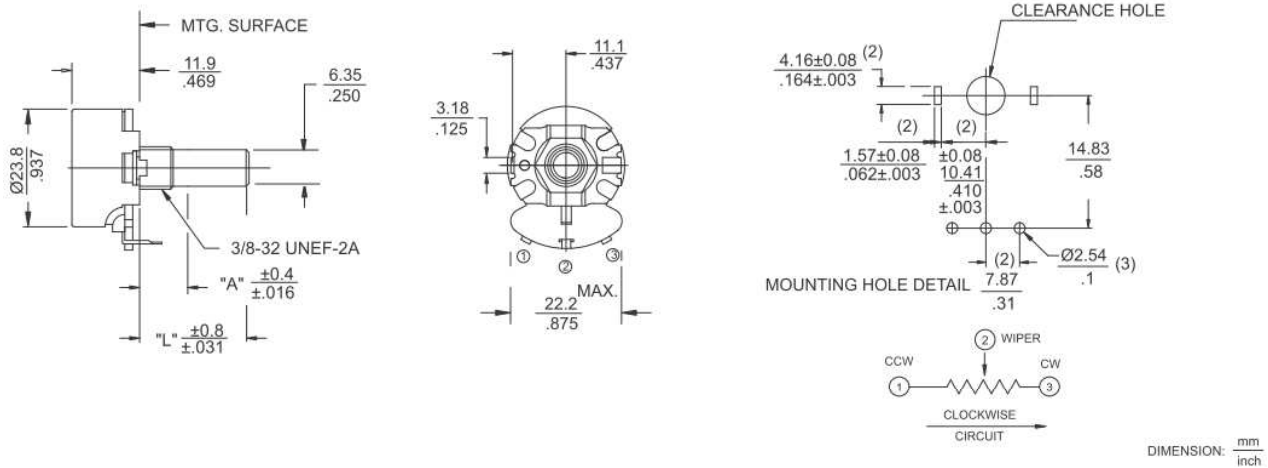


# Series 026

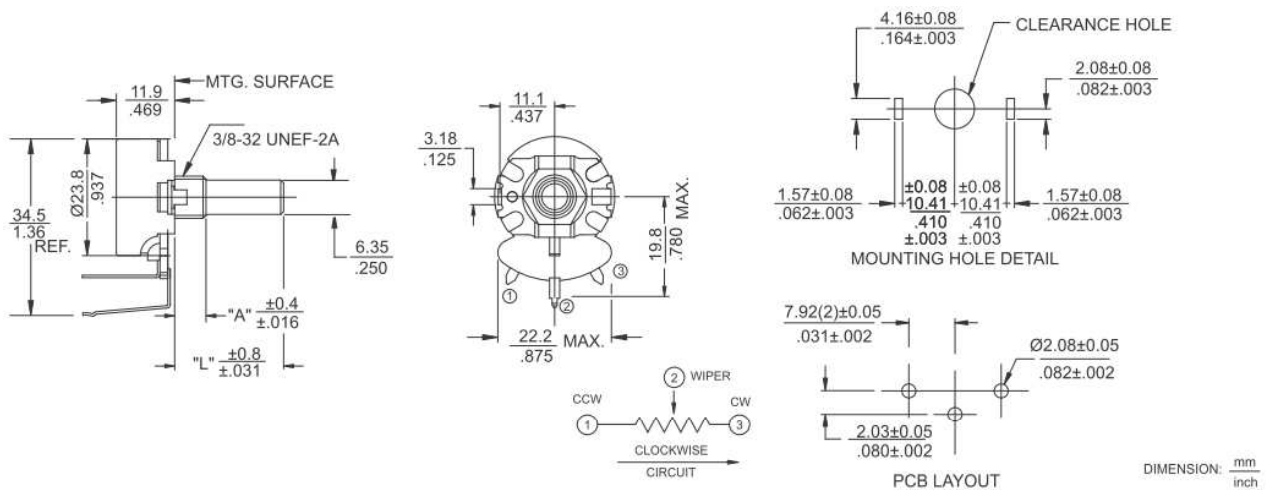
## 24mm Wirewound Rotary Potentiometer

### Electrical and Mechanical Specifications

Series 026U Metal Shaft, Bushing Mount, Printed Circuit "U" Type Terminals

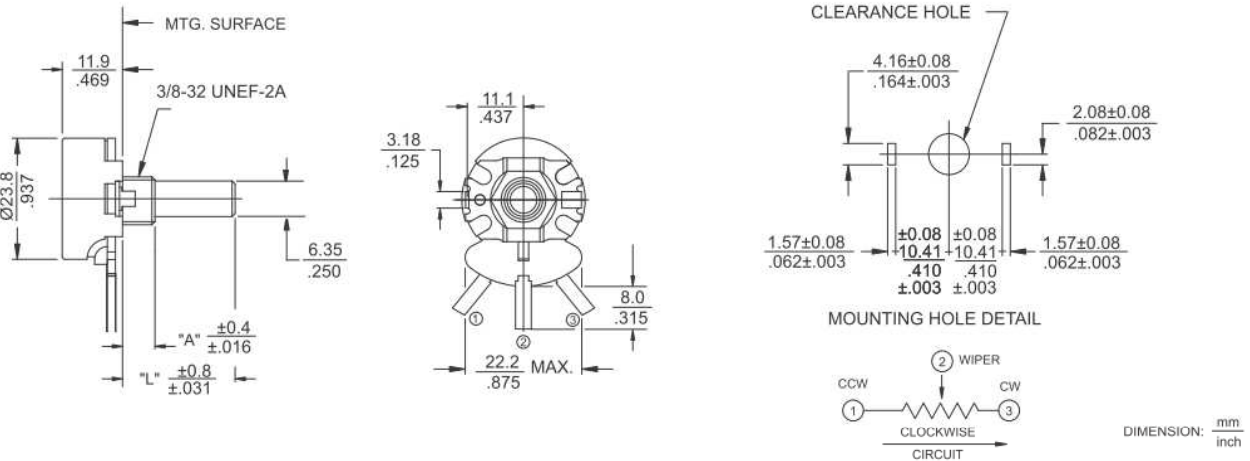


Series 026V Metal Shaft, Bushing Mount, Printed Circuit "V" Type Terminals

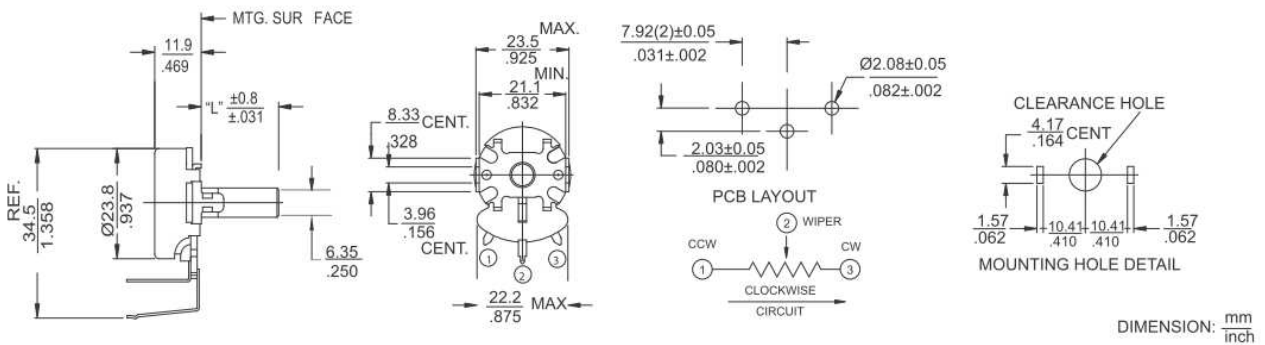


Electrical and Mechanical Specifications

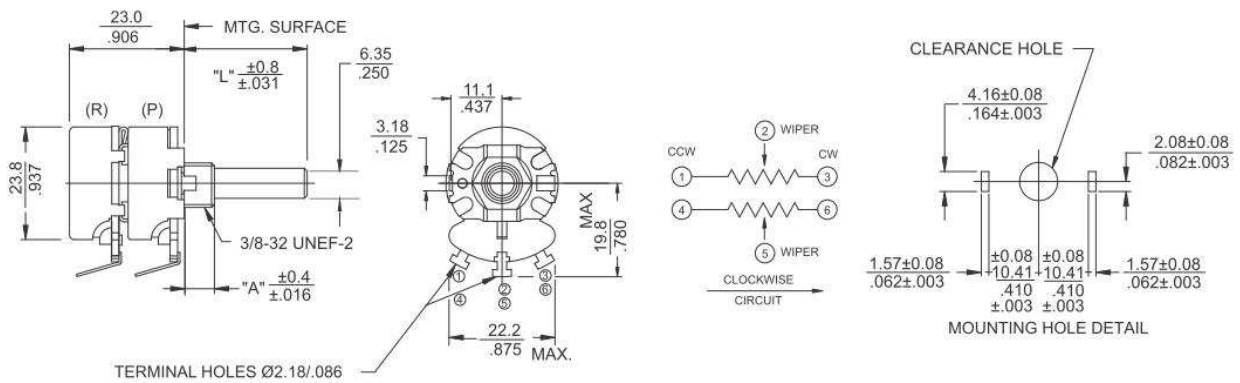
Series 026S Metal Shaft, Bushing Mount, FASTON "S" Type Terminals



Series 026VPE Metal Shaft, Twist Tab Mount, Formed "V" Type Terminals



Series 026T2 Dual Section, Metal Shaft, Bushing Mount, Solder Lug "T" Type Terminals



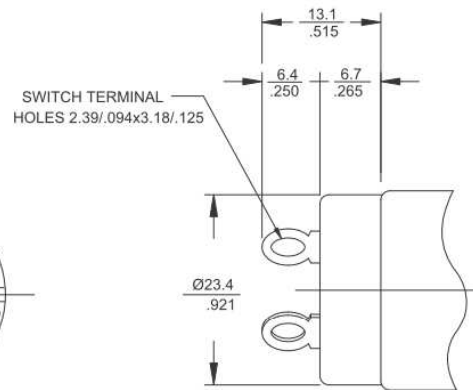
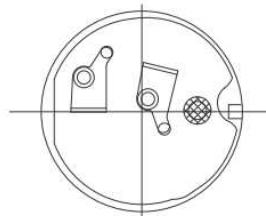
\* More multi-section models available, consult CTS for details

### Optional Power Switches

Series	Contact Arrangement	Electrical Rating	Outline Drawing
--------	---------------------	-------------------	-----------------

FR-GC      SPST  
Rotary      3 amps @ 125 volts,  
1 amp @ 250 volts AC  
CUL Recognized

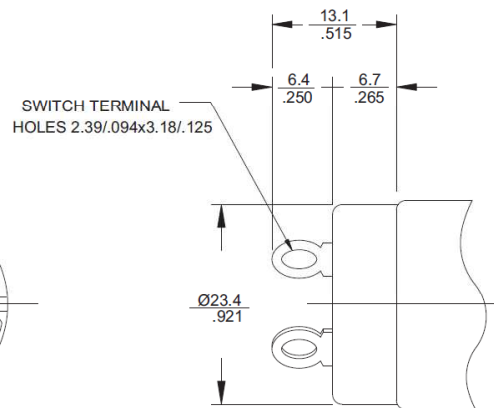
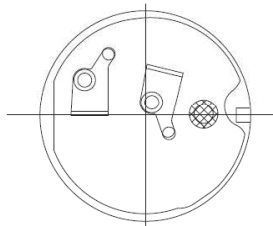
Actuating Angle – 20°  
Actuating Torque – 7 to 17 in. oz.  
(504 to 1225 gf-cm)



DIMENSION:  $\frac{\text{mm}}{\text{inch}}$

TGC      SPST  
Rotary      6 amps @ 125 volts AC  
CUL Recognized

Actuating Angle – 20°  
Actuating Torque – 7 to 17 in. oz.  
(504 to 1225 gf-cm)



DIMENSION:  $\frac{\text{mm}}{\text{inch}}$

Optional Power Switches

Series	Contact Arrangement	Electrical Rating	Outline Drawing
FR-027	DPST Rotary	3 amps @ 125 volts, 1 amp @ 250 volts AC CUL Recognized	
	Actuating Angle: 20° Actuating Torque: 10 to 20 in. oz. (720 to 1441 gf-cm)		
	DIMENSION: $\frac{\text{mm}}{\text{inch}}$		
FR-028	SPDT Rotary	3 amps @ 125 volts AC CUL Recognized	
	Actuating Angle: 20° Actuating Torque: 10 to 20 in. oz. (720 to 1440 gf-cm)		
	DIMENSION: $\frac{\text{mm}}{\text{inch}}$		
FR-K	SPST Pull-on Push-off	3 amps @ 125 volts AC CUL Recognized	
	Pre-travel: 5/32" (3.97mm) Actuating force: 7 to 16 oz. - Single section control (198 to 454 gf) 7 to 20 oz. - Tandem control (198 to 567 gf)		
	DIMENSION: $\frac{\text{mm}}{\text{inch}}$		

## Looking for pricing, stock, or lifecycle information?

Click below to explore more details on WIN SOURCE:

-  [View 026TB32R502B1A1 on WIN SOURCE](#)
-  [CTS Electrocomponents Information](#)

## Optimize Your Supply Chain with WIN SOURCE Solutions

-  Global Sourcing Solution
-  Obsolete Management
-  Cost Control Management
-  Shortage Management
-  Alternative Solution
-  Excess Inventory Management