



**THE DATASHEET OF  
008263041100000+**

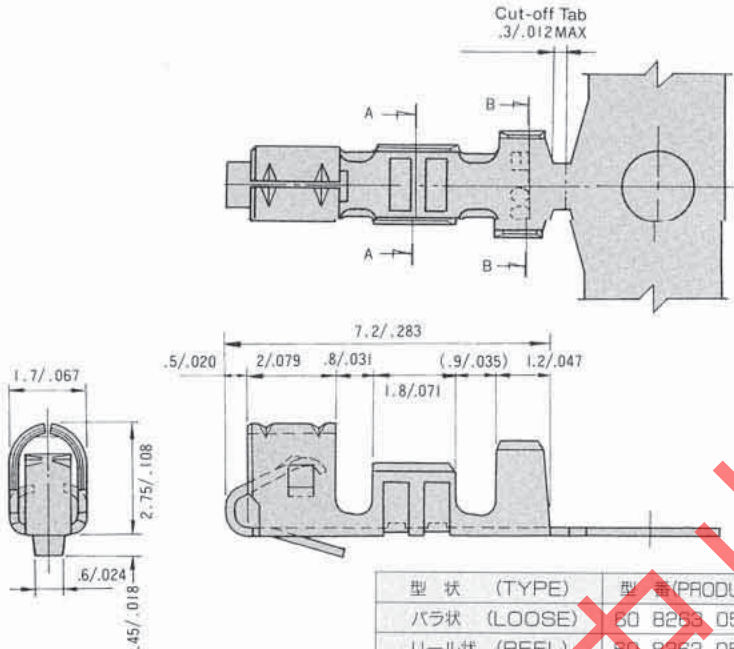


MINI ELMEC

SERIES

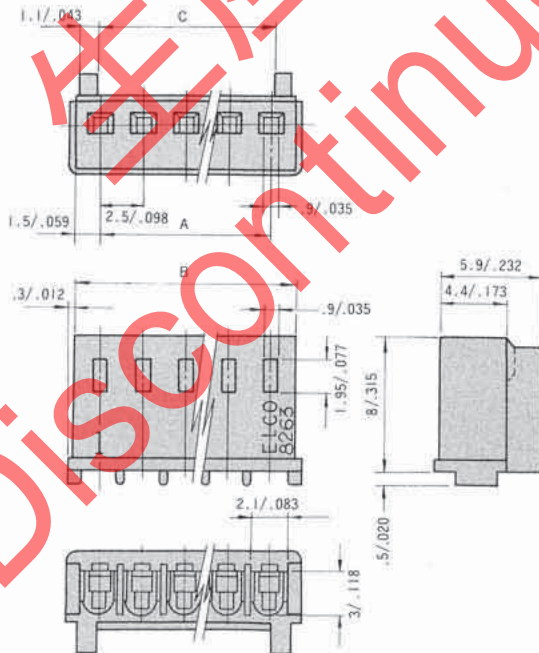
8263

RECEPTACLE



| 型 状 (TYPE)  | 型 番 (PRODUCT NUMBER)               | 適合電線範囲 (APPLICABLE WIRE SIZES) | 被覆外径 (Insulation diameter) |
|-------------|------------------------------------|--------------------------------|----------------------------|
| バラ状 (LOOSE) | 60 8263 0513 00 808                | AWG #22~28                     | φ (1.2)~1.7mm              |
| リール状 (REEL) | 60 8263 0523 99 808                |                                |                            |
| リール状 (REEL) | 60 8263 2523 99 808<br>1リール=10,000 | AWG #20~24                     | φ (1.5)~1.87mm             |

RECEPTACLE HOUSING



| 極数<br>NO.OF CONTACTS | A    | B    | C    |
|----------------------|------|------|------|
| 02                   | 2.5  | 5.5  | 2.8  |
| 03                   | 5.5  | 8.0  | 5.8  |
| 04                   | 7.5  | 10.5 | 8.3  |
| 05                   | 10.0 | 13.0 | 10.3 |
| 06                   | 12.5 | 15.5 | 12.8 |
| 07                   | 15.0 | 18.0 | 15.3 |
| 08                   | 17.5 | 20.5 | 17.8 |
| 09                   | 20.0 | 23.0 | 20.3 |
| 10                   | 22.5 | 25.5 | 22.8 |
| 11                   | 25.0 | 28.0 | 25.3 |
| 12                   | 27.5 | 30.5 | 27.8 |
| 13                   | 30.0 | 33.0 | 30.3 |
| 14                   | 32.5 | 35.5 | 32.8 |
| 15                   | 35.0 | 38.0 | 35.3 |

注文コード ORDERING CODE  
60 8263 3XX8 15 XXX

種数  
NUMBER OF CONTACTS

カラー-COLOR  
000 : 自然色(白) 001 : 黒 002 : 赤 003 : 黄  
NATURAL(WHITE) BLACK RED YELLOW

A=2.5×(極数-1) A=2.5×(NO.OF CONTACTS-1)  
B=2.5×(極数-1)+3 B=2.5×(NO.OF CONTACTS-1)+3  
C=2.5×(極数-1)+0.3 C=2.5×(NO.OF CONTACTS-1)+0.3

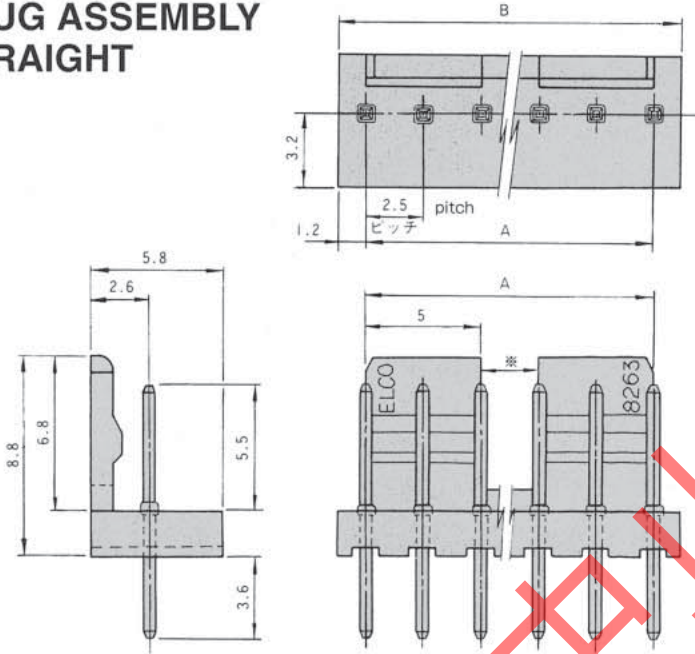
MINI ELMEC

SERIES

8263

PLUG

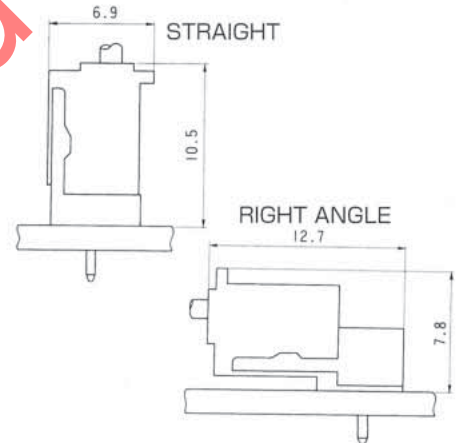
PLUG ASSEMBLY STRAIGHT



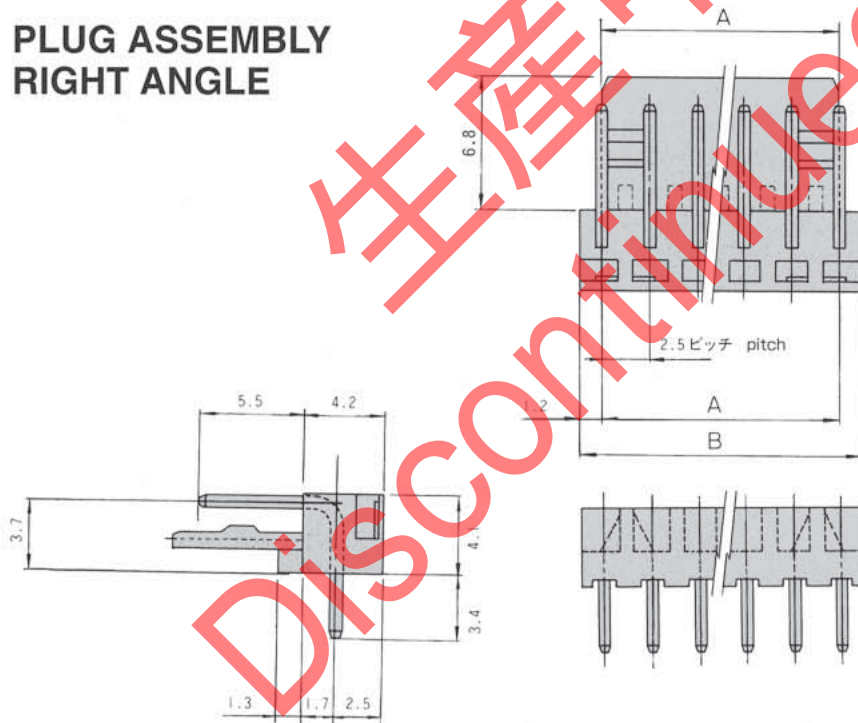
| 極数<br>NUMBER OF CONTACTS | A    | B    |
|--------------------------|------|------|
| 02                       | 25   | 49   |
| 03                       | 5.0  | 7.4  |
| 04                       | 7.5  | 9.9  |
| 05                       | 10.0 | 12.4 |
| 06                       | 12.5 | 14.9 |
| 07                       | 15.0 | 17.4 |
| 08                       | 17.5 | 19.9 |
| 09                       | 20.0 | 22.4 |
| 10                       | 22.5 | 24.9 |
| 11                       | 25.0 | 27.4 |
| 12                       | 27.5 | 29.9 |
| 13                       | 30.0 | 32.4 |
| 14                       | 32.5 | 34.9 |
| 15                       | 35.0 | 37.4 |

A=2.5×(極数-1) A=2.5×(NO.OF CONTACTS-1)  
 B=2.5×(極数-1)+2.4 B=2.5×(NO.OF CONTACTS-1)+2.4  
 ※分節は5極以上 (Partation : 5P min.)

嵌合状態図 MATING CONDITION



PLUG ASSEMBLY RIGHT ANGLE



P.Cボード穴寸法

P.C. BOARD THROUGH HOLE DIMENSION



適用基板厚1.6mm以下

T. = 1.6mm IN OR LESS

注文コード ORDERING CODE

00 8263 XX 1X 00 XXX +

極数  
NUMBER OF CONTACTS

カラー-COLOR  
000: 自然色(白) 001: 黒 002: 赤 003: 黄  
NATURAL (WHITE) BLACK RED YELLOW

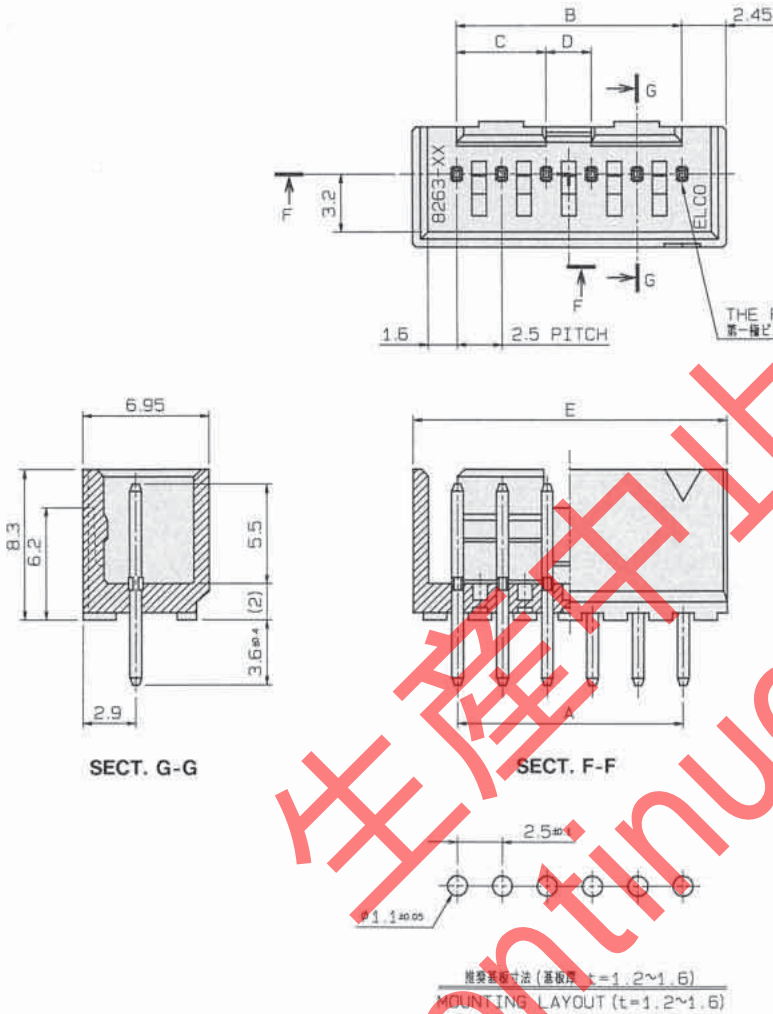
プラグアッセンブリー  
PLUG ASSEMBLY  
1: ライトアングル RIGHT ANGLE  
2: ストレート STRAIGHT

MINI ELMEC

SERIES

# 8263

BOX TYPE PLUG



主な特長

- 2.5mmピッチの、ロープロフィール、高密度スズメッキコネクタ-8263シリーズ。プラグは嵌合性を高め、衝撃や変形にも強いボックスタイプです。
- コンタクトは6点接触構造で、フレッチングコロージョンを防止。また、作業性、保持力を高める優れた構造を有しています。

仕様

- 極数：2~15極
- コンタクト間隔：2.5mm
- 定格電流：最大 3 A
- 定格電圧：最大250V
- 耐電圧：1000Vrms/min
- コンタクト材質：黄銅、銅下地付スズ合金メッキ
- インシュレーター材質：ガラス入66ナイロン (UL94V-0)
- インシュレーターカラー：黒、赤、黄

Main Features

- The 8263 series is high density tin-plate connector having 0.5mm/.020inch centerline. The plug is designed for reliable mating as box-type which has a anti-shock and anti-deformation.
- A six mating points of the contact prevents from fretting-corrosion. A construction of the connector offers good workability and high-retention force.

Specifications

- Number of Contacts: 2-15
- Contact Spacing : 2.5mm/.100inch
- Current Rating: 3A maximum
- Voltage Rating: 250A maximum
- Dielectric Withstanding Voltage: 100Vrms/min
- Contact Material: Brass; Tin alloy plating over copper
- Insulator Material: Glass-filled Nylon 66 (UL94V-0)
- Insulator Color: Black, red, yellow

注文コード ORDERING CODE  
00 8263 XX32 00 XXX+

極数  
NUMBER OF CONTACTS

カラー-COLOR  
001: 黒 002: 赤 003: 黄  
BLACK RED YELLOW

| 極数<br>NUMBER OF CONTACTS | A   | B   | C   | D    | E    |
|--------------------------|-----|-----|-----|------|------|
| 02                       | 25  | 25  | —   | —    | 7.4  |
| 03                       | 50  | 50  | —   | —    | 9.9  |
| 04                       | 75  | 75  | —   | —    | 12.4 |
| 05                       | 100 | 100 | —   | —    | 14.9 |
| 06                       | 125 | 125 | 5.0 | 2.5  | 17.4 |
| 07                       | 150 | 150 | 5.0 | 5.0  | 19.9 |
| 08                       | 175 | 175 | 5.0 | 7.5  | 22.4 |
| 09                       | 200 | 200 | 5.0 | 10.0 | 24.9 |
| 10                       | 225 | 225 | 5.0 | 12.5 | 27.4 |
| 11                       | 250 | 250 | 5.0 | 15.0 | 29.9 |
| 12                       | 275 | 275 | 5.0 | 17.5 | 32.4 |
| 13                       | 300 | 300 | 5.0 | 20.0 | 34.9 |
| 14                       | 325 | 325 | 5.0 | 22.5 | 37.4 |
| 15                       | 350 | 350 | 5.0 | 25.0 | 39.9 |





生産対応可能バリエーションや極数については、営業部にご確認願います。  
Feel free to contact our sales department for available variation or number of positions.

## Looking for pricing, stock, or lifecycle information?

Click below to explore more details on WIN SOURCE:

-  [View 008263041100000+ on WIN SOURCE](#)
-  [AVX Corp/Kyocera Corp](#) Information

## Optimize Your Supply Chain with WIN SOURCE Solutions

-  Global Sourcing Solution
-  Obsolete Management
-  Cost Control Management
-  Shortage Management
-  Alternative Solution
-  Excess Inventory Management