



**THE DATASHEET OF  
BLA2ABB221SN4D**



## Chip Ferrite Bead Array

BLA2A

SN4

Reference Specification

## 1. Scope

This reference specification applies to Chip Ferrite Bead Array BLA2A Series used for electronic machinery.

## 2. Part Numbering

(ex.) BL A 2A AG 121 S N 4 D  
 (1) (2) (3) (4) (5) (6) (7) (8) (9)

(1) Product ID

(2) Type

(3) Dimension (LxW)

(4) Characteristics

(5) Typical Impedance at 100MHz

(6) Performance

(7) Category

(8) Numbers of Circuit

(9) Packaging (D : Taping / B : Bulk)

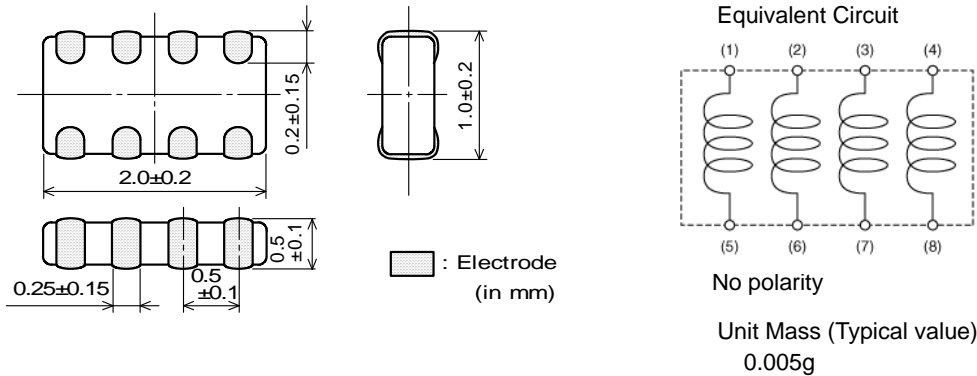
## 3. Rating

| Customer Part Number | MURATA Part Number               | Impedance ( $\Omega$ ) at 100MHz, (Under Standard Testing Condition) | Rated Current (mA) | DC Resistance ( $\Omega$ max.) |                      | Insulation Resistance between Elements | Remark                     |
|----------------------|----------------------------------|--|--------------------|--------------------------------|----------------------|--|----------------------------|
|                      |                                  |  |                    | Initial Values                 | Values After Testing |  |                            |
|                      | BLA2AAG121SN4D<br>BLA2AAG121SN4B | 120 $\pm$ 25 %   | 100                | 0.5                            | 0.6                  | 100M $\Omega$ min.                     | For general use            |
|                      | BLA2AAG221SN4D<br>BLA2AAG221SN4B | 220 $\pm$ 25 %   | 50                 | 0.7                            | 0.8                  |  |                            |
|                      | BLA2AAG601SN4D<br>BLA2AAG601SN4B | 600 $\pm$ 25 %   |                    | 1.1                            | 1.2                  |  |                            |
|                      | BLA2AAG102SN4D<br>BLA2AAG102SN4B | 1000 $\pm$ 25 %  |                    | 1.3                            | 1.4                  |  |                            |
|                      | BLA2ABB100SN4D<br>BLA2ABB100SN4B | 10 $\pm$ 25 %  |                    | 200                            | 0.1                  |  |                            |
|                      | BLA2ABB220SN4D<br>BLA2ABB220SN4B | 22 $\pm$ 25 %  | 0.2                |                                | 0.3                  |  |                            |
|                      | BLA2ABB470SN4D<br>BLA2ABB470SN4B | 47 $\pm$ 25 %  | 0.35               |                                | 0.45                 |  |                            |
|                      | BLA2ABB121SN4D<br>BLA2ABB121SN4B | 120 $\pm$ 25 %   | 50                 | 0.6                            | 0.7                  |  | For high speed signal Line |
|                      | BLA2ABB221SN4D<br>BLA2ABB221SN4B | 220 $\pm$ 25 %   |                    | 0.9                            | 1.0                  |  |                            |
|                      | BLA2ABD750SN4D<br>BLA2ABD750SN4B | 75 $\pm$ 25 %  | 200                | 0.20                           | 0.30                 |  |                            |
|                      | BLA2ABD121SN4D<br>BLA2ABD121SN4B | 120 $\pm$ 25 %   |                    | 0.35                           | 0.45                 |  |                            |
|                      | BLA2ABD221SN4D<br>BLA2ABD221SN4B | 220 $\pm$ 25 %   |                    | 0.40                           | 0.50                 |  |                            |
|                      | BLA2ABD471SN4D<br>BLA2ABD471SN4B | 470 $\pm$ 25 %   | 100                | 0.65                           | 0.75                 |  |                            |
|                      | BLA2ABD601SN4D<br>BLA2ABD601SN4B | 600 $\pm$ 25 %   |                    | 0.80                           | 0.90                 |  |                            |
|                      | BLA2ABD102SN4D<br>BLA2ABD102SN4B | 1000 $\pm$ 25 %  |                    | 50                             | 1.00                 | 1.10                                   |                            |

• Operating Temperature: - 55 °C to + 125 °C

• Storage Temperature: - 55 °C to + 125 °C

**4. Style and Dimensions**



**5. Marking**

No marking.

**6. Standard Testing Conditions**

< Unless otherwise specified >

Temperature : Ordinary Temp. 15 °C to 35 °C

Humidity: Ordinary Humidity 25 %(RH) to 85 %(RH)

< In case of doubt >

Temperature: 20 °C  $\pm$  2 °C

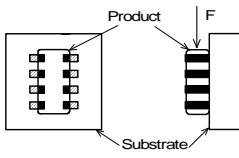
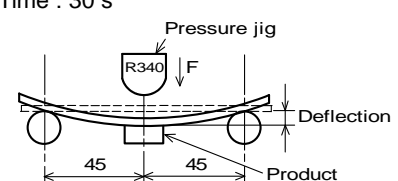
Humidity : 60 %(RH) to 70 %(RH)

Atmospheric pressure: 86 kPa to 106 kPa

**7. Electrical Performance**

| No. | Item                                   | Specification | Test Method  |
|-----|--|---------------|--|
| 7.1 | Impedance                              | Meet item 3.  | Measuring Frequency : 100 MHz $\pm$ 1 MHz<br>Measuring Equipment : Agilent 4291A or the equivalent (OSC = 0.05 V)<br>Test Fixture : Agilent 16192A |
| 7.2 | DC Resistance                          | Meet item 3.  | Measuring Equipment : Digital multi meter  |
| 7.3 | Insulation Resistance between Elements | Meet item 3.  | Measuring Voltage : 5 V(DC)<br>Measuring Time : 1 min max.   |

**8. Mechanical Performance**

| No.                          | Item                      | Specification   | Test Method  |           |                              |                   |               |              |   |
|------------------------------|---------------------------|---|--|-----------|------------------------------|-------------------|---------------|--------------|---|
| 8.1                          | Appearance and Dimensions | Meet item 4.  | Visual Inspection and measured with Slide Calipers or Micrometer or Measuring Microscope.  |           |                              |                   |               |              |   |
| 8.2                          | Bonding Strength          | Meet Table 1.<br><br><table border="1" style="margin-left: 20px;"> <caption>Table 1</caption> <tr> <td>Appearance</td> <td>No damage</td> </tr> <tr> <td>Impedance Change (at 100MHz)</td> <td>Within <math>\pm</math> 30 %</td> </tr> <tr> <td>DC Resistance</td> <td>Meet item 3.</td> </tr> </table> | Appearance   | No damage | Impedance Change (at 100MHz) | Within $\pm$ 30 % | DC Resistance | Meet item 3. | It shall be soldered on the substrate.<br>Applying Force(F) : 9.8 N<br>Applying Time : 5 s $\pm$ 1 s<br> |
| Appearance                   | No damage                 |   |  |           |                              |                   |               |              |   |
| Impedance Change (at 100MHz) | Within $\pm$ 30 %         |   |  |           |                              |                   |               |              |   |
| DC Resistance                | Meet item 3.              |   |  |           |                              |                   |               |              |   |
| 8.3                          | Bending Strength          |   | It shall be soldered on the substrate.<br>Substrate : Glass-epoxy substrate (100mm $\times$ 40mm $\times$ 1.0mm)<br>Deflection : 2.0 mm<br>Speed of Applying Force : 0.5 mm / s<br>Keeping Time : 30 s<br> |           |                              |                   |               |              |   |

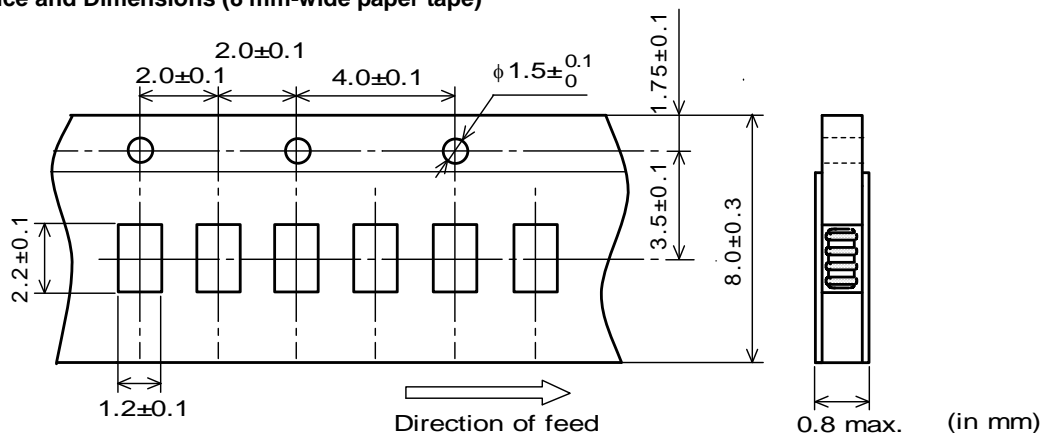
| No. | Item                         | Specification  | Test Method   |
|-----|------------------------------|--|---|
| 8.4 | Solderability                | The electrodes shall be at least 95 % covered with new solder coating. | Flux : Ethanol solution of rosin, 25 (wt)%<br>Pre-Heating : 150 °C ± 10 °C, 60 s ~ 90 s<br>Solder :Sn-3.0Ag-0.5Cu<br>Solder Temperature : 240 °C ± 5 °C<br>Immersion Time : 3 s ± 1 s<br>Immersion and emersion rates : 25 mm / s   |
| 8.5 | Resistance to Soldering Heat | Meet Table 1.  | Flux : Ethanol solution of rosin, 25 (wt)%<br>Pre-Heating : 150 °C ± 10 °C, 60 s ~ 90 s<br>Solder : Sn-3.0Ag-0.5Cu<br>Solder Temperature : 270 °C ± 5 °C<br>Immersion Time : 10 s ± 1 s<br>Immersion and emersion rates : 25 mm / s<br>Then measured after exposure in the room condition for 48 h ± 4 h. |
| 8.6 | Vibration                    |  | It shall be soldered on the substrate.<br>Oscillation Frequency : 10Hz to 55Hz to 10Hz for 1 min<br>Total Amplitude : 1.5 mm<br>Testing Time : A period of 2 hours in each of 3 mutually erpendicular directions.   |
| 8.7 | Drop                         | Product shall be no failure after tested.                              | It shall be dropped on concrete or steel board.<br>Method : free fall<br>Height : 75 cm<br>Attitude from which the product is dropped : 3 directions<br>The Number of Time : 3 times for each direction (Total 9 times)   |

### 9. Environmental Performance (It shall be soldered on the substrate.)

| No. | Item              | Specification | Test Method  |
|-----|-------------------|---------------|--|
| 9.1 | Temperature Cycle | Meet Table 1. | 1 cycle<br>1 step : -55 °C (+0 °C , -3 °C ) / 30min ± 3min<br>2 step: Ordinary temp. / 10min to 15min<br>3 step : +125 °C (+3 °C , -0 °C) / 30min ± 3min<br>4 step: Ordinary temp. / 10min to 15min<br>Total of 100 cycles<br>Then measured after exposure in the room condition for 48 h ± 4 h. |
| 9.2 | Humidity          |               | Temperature : 40 °C ± 2 °C<br>Humidity : 90 %(RH) to 95 %(RH)<br>Time : 1000 h (+48 h , -0 h)<br>Then measured after exposure in the room condition for 48 h ± 4 h.  |
| 9.3 | Heat Life         |               | Temperature : 125 C ± 3 °C<br>Applying Current : Rated Current<br>Time : 1000 h (+48 h , -0 h)<br>Then measured after exposure in the room condition for 48 h ± 4 h.   |
| 9.4 | Cold Resistance   |               | Temperature : - 55 °C ± 2 °C<br>Time : 1000 h (+48 h , -0 h)<br>Then measured after exposure in the room condition for 48 h ± 4 h.   |

## 10. Specification of Packaging

### 10.1. Appearance and Dimensions (8 mm-wide paper tape)



#### (1) Taping

Products shall be packaged in the cavity of the base tape of 8 mm-wide, 2 mm-pitch continuously and sealed by top tape and bottom tape.

(2) The sprocket holes are to the right as the tape is pulled toward the user.

(3) Splice point : The base tape and top tape have no spliced point

(4) Cavity : There shall not be burr in the cavity.

(5) Missing components number

Missing components number within 0.1% of the number per reel or 1 pc., whichever is greater, and are not continuous. The specified quantity per reel is kept.

### 10.2. Tape Strength

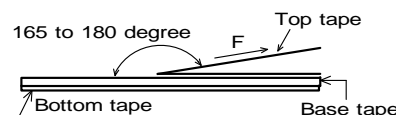
#### (1) Pull Strength

|             |         |
|-------------|---------|
| Top tape    | 5N min. |
| Bottom tape |         |

#### (2) Peeling off force of Top tape

0.1N to 0.6N (Minimum value is typical.)

\* Speed of Peeling off : 300 mm / min



### 10.3. Taping Condition

#### (1) Standard quantity per reel

Quantity per 180 mm reel : 10000 pcs. / reel

(2) There shall be leader-tape (top tape and empty tape) and trailer-tape (empty tape) as follows.

(3) On paper tape, the top tape and the base tape shall not be adhered at the tip of the empty leader tape for more than 5 pitch.

#### (4) Marking for reel

The following items shall be marked on a label and the label is stuck on the reel.

(Customer part number, MURATA part number, Inspection number(\*1), RoHS discrimination(\*2), Quantity, etc)

\*1) « Expression of Inspection No. » \_\_\_\_\_ OOOO XXX  
(1)                                   (2)                                   (3)

(1) Factory Code

(2) Date                   First digit                   : Year / Last digit of year

Second digit                   : Month / Jan. to Sep. → 1 to 9, Oct. to Dec. → O, N, D

Third, Fourth digit : Day

(3) Serial No.

\*2) « Expression of RoHS discrimination » ROHS - Y (  )  
(1) (2)

(1) RoHS regulation conformity parts.

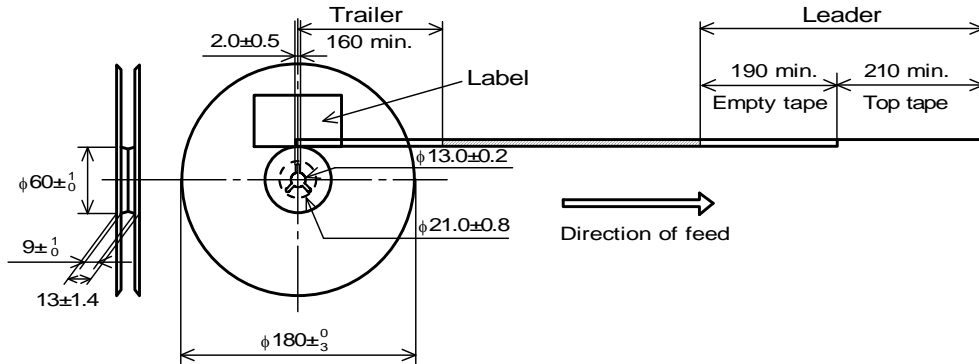
(2) MURATA classification number

(5) Outside package

These reels shall be packed in the corrugated cardboard package and the following items shall be marked on a label and the label is stuck on the box.

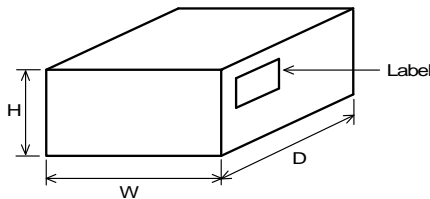
(Customer name, Purchasing Order Number, Customer Part Number, MURATA part number, RoHS discrimination(\*2), Quantity, etc)

(6) Dimensions of reel and taping (leader-tape, trailer-tape)



(in mm)

10-4. Specification of Outer Case



| Outer Case Dimensions (mm) |     |    | Standard Reel Quantity in Outer Case (Reel) |
|----------------------------|-----|----|---|
| W                          | D   | H  |   |
| 186                        | 186 | 93 | 5   |

\* Above Outer Case size is typical. It depends on a quantity of an order.

11. Caution

11.1. Surge current

Excessive surge current (pulse current or rush current) than specified rated current applied to the product may cause a critical failure, such as an open circuit, burnout caused by excessive temperature rise.

Please contact us in advance in case of applying the surge current.

11.2. Limitation of Applications

Please contact us before using our products for the applications listed below which require especially high reliability for the prevention of defects which might directly cause damage to the third party's life, body or property.

- |                                   |  |
|-----------------------------------|--|
| (1) Aircraft equipment            | (6) Disaster prevention / crime prevention equipment   |
| (2) Aerospace equipment           | (7) Traffic signal equipment   |
| (3) Undersea equipment            | (8) Transportation equipment (vehicles, trains, ships, etc.)   |
| (4) Power plant control equipment | (9) Data-processing equipment  |
| (5) Medical equipment             | (10) Application of similar complexity and/or with reliability Requirements to the applications listed in the above. |

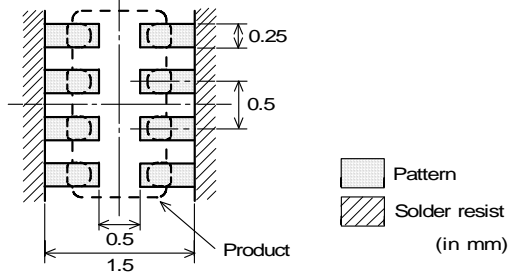
12. Notice

This product is designed for solder mounting.

Please consult us in advance for applying other mounting method such as conductive adhesive.

**12.1. Land pattern designing**

· Standard land dimensions (Reflow soldering)



\* The excessive heat by land pads may cause deterioration at joint of products with substrate.

**12.2. Soldering Conditions**

Products can be applied to reflow soldering.

(1) Flux , Solder

|        |   |
|--------|---|
| Flux   | Use rosin-based flux, but not highly acidic flux (with chlorine content exceeding 0.2(wt)%.)<br>Do not use water-soluble flux.  |
| Solder | Use Sn-3.0Ag-0.5Cu solder<br>Standard thickness of solder paste : 100 μm to 200 μm<br>Use of Sn-Zn based solder will deteriorate performance of products.<br>In case of using Sn-Zn based solder, please contact Murata in advance. |

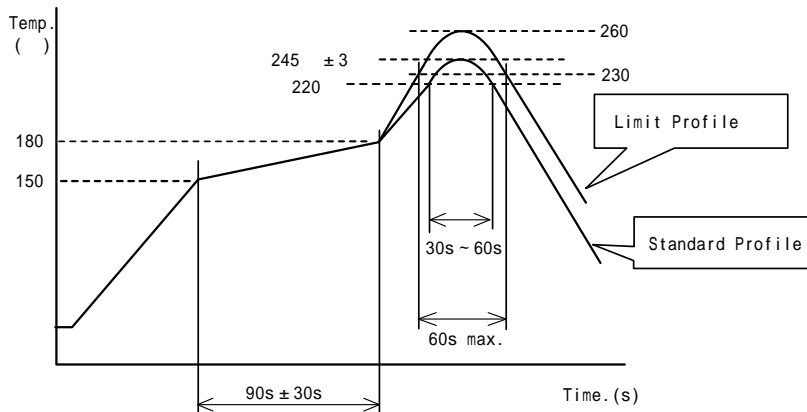
(2) Soldering conditions

· Pre-heating should be in such a way that the temperature difference between solder and ferrite surface is limited to 150°C max. Also cooling into solvent after soldering should be in such a way that the temperature difference is limited to 100 °C max.

Insufficient pre-heating may cause cracks on the ferrite, resulting in the deterioration of product quality.

· Standard soldering profile and the limit soldering profile is as follows.

The excessive limit soldering conditions may cause leaching of the electrode and / or resulting in the deterioration of product quality.



|                  | Standard Profile      | Limit Profile        |
|------------------|-----------------------|----------------------|
| Pre-heating      | 150 ~ 180°C、90s ± 30s |                      |
| Heating          | above 220°C、30s ~ 60s | above 230°C、60s max. |
| Peak temperature | 245 ± 3°C             | 260°C,10s            |
| Cycle of reflow  | 2 times               | 2 times              |

**12.3. Reworking with soldering iron**

- Pre-heating : 150 °C , 1 min
- Tip temperature: 350°C max.
- Soldering time : 3(+1,-0) seconds.
- Soldering iron output : 80W max.
- Tip diameter: φ 3mm max.
- Times : 2times max.

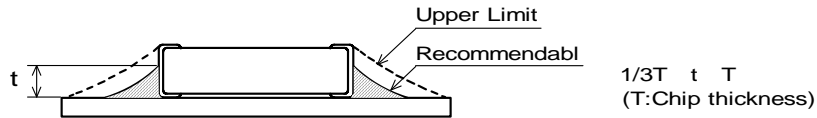
Note : Do not directly touch the products with the tip of the soldering iron in order to prevent the crack on the ferrite material due to the thermal shock.

**12.4. Solder Volume**

Solder shall be used not to be exceeded as shown below.

Accordingly increasing the solder volume, the mechanical stress to product is also increased.

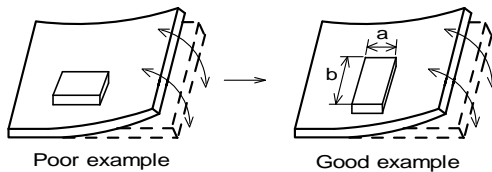
Exceeding solder volume may cause the failure of mechanical or electrical performance.

**12.5. Attention regarding P.C.B bending**

The following shall be considered when designing and laying out P.C.B.'s

- (1) P.C.B. shall be designed so that products are not subject to the mechanical stress for board warpage.

<Products direction>



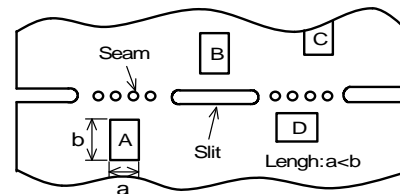
Products shall be located in the sideways direction (Length :  $a < b$ ) to the mechanical stress.

- (2) Products location on P.C.B. separation.

Products shall be cleaned on the following conditions.

so that products are not subject to the mechanical stress due to warping the board.

Because they may be subjected to the mechanical stress in order of  $A > C > B \cong D$ .

**12.6. Potential between Elements**

Products should be used within 5 V(DC) between elements.

When the products are used with excessive voltage over 5 V(DC), it may cause breaking of inner electrode and / or decreasing of insulation resistance between elements.

**12.7. Mounting density**

Add special attention to radiating heat of products when mounting the inductor near the products with heating.

The excessive heat by other products may cause deterioration at joint of this product with substrate.

**12.8. Cleaning Conditions**

Products shall be cleaned on the following conditions.

- (1) Cleaning temperature shall be limited to 60 °C max. (40 °C max. for IPA.)  
 (2) Ultrasonic cleaning shall comply with the following conditions, avoiding the resonance phenomenon at the mounted products and P.C.B

Power : 20 W / l max.      Frequency : 28 kHz to 40 kHz      Time : 5 min max.

- (3) Cleaner

1. Cleaner
  - Isopropyl alcohol (IPA)
2. Aqueous agent
  - PINE ALPHA ST-100S

- (4) There shall be no residual flux and residual cleaner after cleaning.

In the case of using aqueous agent, products shall be dried completely after rinsed with de-ionized water in order to remove the cleaner.

- (5) Other cleaning

Please contact us.

**12.9. Handling of a substrate**

After mounting products on a substrate, do not apply any stress to the product caused by bending or twisting to the substrate when cropping the substrate, inserting and removing a connector from the substrate or tightening screw to the substrate.

Excessive mechanical stress may cause cracking in the product.

**12.10. Operating Environment**

Do not use this product under the following environmental conditions, on deterioration of the Insulation Resistance of the Ferrite material and/or corrosion of Inner Electrode may result from the use.

- (1) in the corrodible atmosphere (acidic gases, alkaline gases, chlorine, sulfur gases, organic gases and etc.)
- (2) in the atmosphere where liquid such as organic solvent, may splash on the products.
- (3) in the atmosphere where the temperature / humidity changes rapidly and it is easy to dew.

**12.11. Resin coating**

The impedance value may change and/or it may affect on the product's performance due to high cure-stress of resin to be used for coating / molding products. So please pay your careful attention when you select resin. In prior to use, please make the reliability evaluation with the product mounted in your application set.

**12.12. Storage Conditions****(1) Storage period**

Use the products within 6 months after delivered.

Solderability should be checked if this period is exceeded.

**(2) Storage conditions**

- Products should be stored in the warehouse on the following conditions.

Temperature : - 10 °C to 40 °C

Humidity : 15 % to 85 % relative humidity

No rapid change on temperature and humidity

- Don't keep products in corrosive gases such as sulfur, chlorine gas or acid, or it may cause oxidization of electrode, resulting in poor solderability.
- Products should be stored on the palette for the prevention of the influence from humidity, dust and so on.
- Products should be stored in the warehouse without heat shock, vibration, direct sunlight and so on.
- Products should be stored under the airtight packaged condition.

**(3) Delivery**



Care should be taken when transporting or handling product to avoid excessive vibration or mechanical shock.

**13. ⚠ Notes**

- (1) Please make sure that your product has been evaluated in view of your specifications with our product being mounted to your product.
- (2) You are requested not to use our product deviating from the reference specifications.
- (3) The contents of this reference specification are subject to change without advance notice. Please approve our product specifications or transact the approval sheet for product specifications before ordering.

## Looking for pricing, stock, or lifecycle information?

Click below to explore more details on WIN SOURCE:

-  [View BLA2ABB221SN4D on WIN SOURCE](#)
-  [Murata Electronics North America Information](#)

## Optimize Your Supply Chain with WIN SOURCE Solutions

-  Global Sourcing Solution
-  Obsolete Management
-  Cost Control Management
-  Shortage Management
-  Alternative Solution
-  Excess Inventory Management