



**THE DATASHEET OF
MT9KSF25672PZ-1G6M1**



1.35V DDR3L SDRAM RDIMM

MT9KSF12872PZ – 1GB

MT9KSF25672PZ – 2GB

MT9KSF51272PZ – 4GB

Features

- DDR3L functionality and operations supported as defined in the component data sheet
- 240-pin, registered dual in-line memory module (RDIMM)
- Fast data transfer rates: PC3-12800, PC3-10600, PC3-8500, or PC3-6400
- 1GB (128 Meg x72), 2GB (256 Meg x 72), or 4GB (512 Meg x 72)
- $V_{DD} = 1.35V$ (1.283–1.45V)
- $V_{DD} = 1.5V$ (1.425–1.575V)
- Backward compatible to $V_{DD} = 1.5V \pm 0.075V$
- $V_{DDSPD} = 3.0\text{--}3.6V$
- Supports ECC error detection and correction
- Nominal and dynamic on-die termination (ODT) for data, strobe, and mask signals
- Single-rank
- On-board I²C temperature sensor with integrated serial presence-detect (SPD) EEPROM
- Fixed burst chop (BC) of 4 and burst length (BL) of 8 via the mode register set (MRS)
- Selectable BC4 or BL8 on-the-fly (OTF)
- Gold edge contacts
- Halogen-free
- Fly-by topology
- Terminated control, command, and address bus

Figure 1: 240-Pin RDIMM (MO-269 R/C A - PCB 0692)

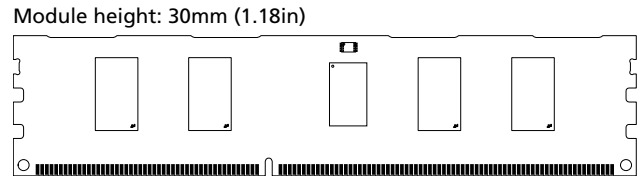
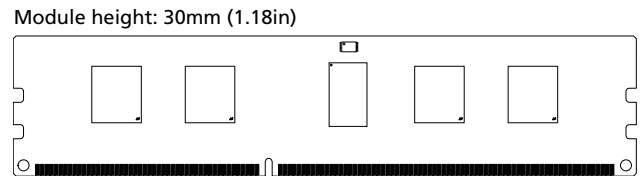


Figure 2: 240-Pin RDIMM (MO-269 R/C A1 - PCB 1486)



Options

- Operating temperature
 - Commercial ($0^{\circ}C \leq T_A \leq +70^{\circ}C$)
- Package
 - 240-pin DIMM (halogen-free)
- Frequency/CAS latency
 - 1.25ns @ CL = 11 (DDR3-1600)
 - 1.5ns @ CL = 9 (DDR3-1333)
 - 1.87ns @ CL = 7 (DDR3-1066)

Marking

None
Z
-1G6
-1G4
-1G1

Table 1: Key Timing Parameters

Speed Grade	Industry Nomenclature	Data Rate (MT/s)							t_{RCD} (ns)	t_{RP} (ns)	t_{RC} (ns)
		CL = 11	CL = 10	CL = 9	CL = 8	CL = 7	CL = 6	CL = 5			
-1G6	PC3-12800	1600	1333	1333	1066	1066	800	667	13.125	13.125	48.125
-1G4	PC3-10600	–	1333	1333	1066	1066	800	667	13.125	13.125	49.125
-1G1	PC3-8500	–	–	–	1066	1066	800	667	13.125	13.125	50.625
-1G0	PC3-8500	–	–	–	1066	–	800	667	15	15	52.5
-80B	PC3-6400	–	–	–	–	–	800	667	15	15	52.5



1GB, 2GB, 4GB (x72, ECC, SR) 240-Pin DDR3L RDIMM Features

Table 2: Addressing

Parameter	1GB	2GB	4GB
Refresh count	8K	8K	8K
Row address	16K A[13:0]	32K A[14:0]	64K A[15:0]
Device bank address	8 BA[2:0]	8 BA[2:0]	8 BA[2:0]
Device configuration	1Gb (128 Meg x 8)	2Gb (256 Meg x 8)	4Gb (512 Meg x 8)
Column address	1K A[9:0]	1K A[9:0]	1K A[9:0]
Module rank address	1 S#0	1 S#0	1 S#0

Table 3: Part Numbers and Timing Parameters – 1GB Modules

Base device: MT41K128M8,¹ 1Gb 1.35V DDR3L SDRAM

Part Number ²	Module Density	Configuration	Module Bandwidth	Memory Clock/ Data Rate	Clock Cycles (CL- ^t RCD- ^t RP)
MT9KSF12872PZ-1G6__	1GB	128 Meg x 72	12.8 GB/s	1.25ns/1600 MT/s	11-11-11
MT9KSF12872PZ-1G4__	1GB	128 Meg x 72	10.6 GB/s	1.5ns/1333 MT/s	9-9-9
MT9KSF12872PZ-1G1__	1GB	128 Meg x 72	8.5 GB/s	1.87ns/1066 MT/s	7-7-7

Table 4: Part Numbers and Timing Parameters – 2GB Modules

Base device: MT41K256M8,¹ 2Gb 1.35V DDR3L SDRAM

Part Number ²	Module Density	Configuration	Module Bandwidth	Memory Clock/ Data Rate	Clock Cycles (CL- ^t RCD- ^t RP)
MT9KSF25672PZ-1G6__	2GB	256 Meg x 72	12.8 GB/s	1.25ns/1600 MT/s	11-11-11
MT9KSF25672PZ-1G4__	2GB	256 Meg x 72	10.6 GB/s	1.5ns/1333 MT/s	9-9-9
MT9KSF25672PZ-1G1__	2GB	256 Meg x 72	8.5 GB/s	1.87ns/1066 MT/s	7-7-7

Table 5: Part Numbers and Timing Parameters – 4GB Modules

Base device: MT41K512M8,¹ 4Gb 1.35V DDR3L SDRAM

Part Number ²	Module Density	Configuration	Module Bandwidth	Memory Clock/ Data Rate	Clock Cycles (CL- ^t RCD- ^t RP)
MT9KSF51272PZ-1G6__	4GB	512 Meg x 72	12.8 GB/s	1.25ns/1600 MT/s	11-11-11
MT9KSF51272PZ-1G4__	4GB	512 Meg x 72	10.6 GB/s	1.5ns/1333 MT/s	9-9-9
MT9KSF51272PZ-1G1__	4GB	512 Meg x 72	8.5 GB/s	1.87ns/1066 MT/s	7-7-7

- Notes:
1. The data sheet for the base device can be found on Micron's Web site.
 2. All part numbers end with a two-place code (not shown) that designates component and PCB revisions. Consult factory for current revision codes. Example: MT9KSF51272PZ-1G6J1.



Pin Assignments

Table 6: Pin Assignments

240-Pin DDR3 RDIMM Front								240-Pin DDR3 RDIMM Back							
Pin	Symbol	Pin	Symbol	Pin	Symbol	Pin	Symbol	Pin	Symbol	Pin	Symbol	Pin	Symbol	Pin	Symbol
1	V _{REFDQ}	31	DQ25	61	A2	91	DQ41	121	V _{SS}	151	V _{SS}	181	A1	211	V _{SS}
2	V _{SS}	32	V _{SS}	62	V _{DD}	92	V _{SS}	122	DQ4	152	DM3/ TDQS12	182	V _{DD}	212	DM5/ TDQS14
3	DQ0	33	DQS3#	63	NU	93	DQS5#	123	DQ5	153	NF/ TDQS12#	183	V _{DD}	213	NF/ TDQS14#
4	DQ1	34	DQS3	64	NU	94	DQS5	124	V _{SS}	154	V _{SS}	184	CK0	214	V _{SS}
5	V _{SS}	35	V _{SS}	65	V _{DD}	95	V _{SS}	125	DM0/ TDQS9	155	DQ30	185	CK0#	215	DQ46
6	DQS0#	36	DQ26	66	V _{DD}	96	DQ42	126	NF/ TDQS9#	156	DQ31	186	V _{DD}	216	DQ47
7	DQS0	37	DQ27	67	V _{REFCA}	97	DQ43	127	V _{SS}	157	V _{SS}	187	EVENT#	217	V _{SS}
8	V _{SS}	38	V _{SS}	68	Par_In	98	V _{SS}	128	DQ6	158	CB4	188	A0	218	DQ52
9	DQ2	39	CB0	69	V _{DD}	99	DQ48	129	DQ7	159	CB5	189	V _{DD}	219	DQ53
10	DQ3	40	CB1	70	A10	100	DQ49	130	V _{SS}	160	V _{SS}	190	BA1	220	V _{SS}
11	V _{SS}	41	V _{SS}	71	BA0	101	V _{SS}	131	DQ12	161	DM8/ TDQS17	191	V _{DD}	221	DM6/ TDQS15
12	DQ8	42	DQS8#	72	V _{DD}	102	DQS6#	132	DQ13	162	NF/ TDQS17#	192	RAS#	222	NF/ TDQS15#
13	DQ9	43	DQS8	73	WE#	103	DQS6	133	V _{SS}	163	V _{SS}	193	S0#	223	V _{SS}
14	V _{SS}	44	V _{SS}	74	CAS#	104	V _{SS}	134	DM1/ TDQS10	164	CB6	194	V _{DD}	224	DQ54
15	DQS1#	45	CB2	75	V _{DD}	105	DQ50	135	NF/ TDQS10#	165	CB7	195	ODT0	225	DQ55
16	DQS1	46	CB3	76	S1	106	DQ51	136	V _{SS}	166	V _{SS}	196	A13	226	V _{SS}
17	V _{SS}	47	V _{SS}	77	ODT1	107	V _{SS}	137	DQ14	167	NC	197	V _{DD}	227	DQ60
18	DQ10	48	V _{TT}	78	V _{DD}	108	DQ56	138	DQ15	168	RESET#	198	NC	228	DQ61
19	DQ11	49	V _{TT}	79	NC	109	DQ57	139	V _{SS}	169	NC	199	V _{SS}	229	V _{SS}
20	V _{SS}	50	CKE0	80	V _{SS}	110	V _{SS}	140	DQ20	170	V _{DD}	200	DQ36	230	DM7/ TDQS16
21	DQ16	51	V _{DD}	81	DQ32	111	DQS7#	141	DQ21	171	A15	201	DQ37	231	NF/ TDQS16#
22	DQ17	52	BA2	82	DQ33	112	DQS7	142	V _{SS}	172	A14	202	V _{SS}	232	V _{SS}
23	V _{SS}	53	Err_Out#	83	V _{SS}	113	V _{SS}	143	DM2/ TDQS11	173	V _{DD}	203	DM4/ TDQS13	233	DQ62
24	DQS2#	54	V _{DD}	84	DQS4#	114	DQ58	144	NF/ TDQS11#	174	A12	204	NF/ TDQS13#	234	DQ63
25	DQS2	55	A11	85	DQS4	115	DQ59	145	V _{SS}	175	A9	205	V _{SS}	235	V _{SS}
26	V _{SS}	56	A7	86	V _{SS}	116	V _{SS}	146	DQ22	176	V _{DD}	206	DQ38	236	V _{DDSPD}
27	DQ18	57	V _{DD}	87	DQ34	117	SA0	147	DQ23#	177	A8	207	DQ39	237	SA1
28	DQ19	58	A5	88	DQ35	118	SCL	148	V _{SS}	178	A6	208	V _{SS}	238	SDA
29	V _{SS}	59	A4	89	V _{SS}	119	SA2	149	DQ28	179	V _{DD}	209	DQ44	239	V _{SS}
30	DQ24	60	V _{DD}	90	DQ40	120	V _{TT}	150	DQ29	180	A3	210	DQ45	240	V _{TT}

Pin Descriptions

The pin description table below is a comprehensive list of all possible pins for all DDR3 modules. All pins listed may not be supported on this module. See Pin Assignments for information specific to this module.

Table 7: Pin Descriptions

Symbol	Type	Description
Ax	Input	Address inputs: Provide the row address for ACTIVE commands, and the column address and auto precharge bit (A10) for READ/WRITE commands, to select one location out of the memory array in the respective bank. A10 sampled during a PRECHARGE command determines whether the PRECHARGE applies to one bank (A10 LOW, bank selected by BAx) or all banks (A10 HIGH). The address inputs also provide the op-code during a LOAD MODE command. See the Pin Assignments table for density-specific addressing information.
BAx	Input	Bank address inputs: Define the device bank to which an ACTIVE, READ, WRITE, or PRECHARGE command is being applied. BA define which mode register (MR0, MR1, MR2, or MR3) is loaded during the LOAD MODE command.
CKx, CKx#	Input	Clock: Differential clock inputs. All control, command, and address input signals are sampled on the crossing of the positive edge of CK and the negative edge of CK#.
CKEx	Input	Clock enable: Enables (registered HIGH) and disables (registered LOW) internal circuitry and clocks on the DRAM.
DMx	Input	Data mask (x8 devices only): DM is an input mask signal for write data. Input data is masked when DM is sampled HIGH, along with that input data, during a write access. Although DM pins are input-only, DM loading is designed to match that of the DQ and DQS pins.
ODTx	Input	On-die termination: Enables (registered HIGH) and disables (registered LOW) termination resistance internal to the DDR3 SDRAM. When enabled in normal operation, ODT is only applied to the following pins: DQ, DQS, DQS#, DM, and CB. The ODT input will be ignored if disabled via the LOAD MODE command.
Par_In	Input	Parity input: Parity bit for Ax, RAS#, CAS#, and WE#.
RAS#, CAS#, WE#	Input	Command inputs: RAS#, CAS#, and WE# (along with S#) define the command being entered.
RESET#	Input (LVCMOS)	Reset: RESET# is an active LOW asynchronous input that is connected to each DRAM and the registering clock driver. After RESET# goes HIGH, the DRAM must be reinitialized as though a normal power-up was executed.
Sx#	Input	Chip select: Enables (registered LOW) and disables (registered HIGH) the command decoder.
SAx	Input	Serial address inputs: Used to configure the temperature sensor/SPD EEPROM address range on the I ² C bus.
SCL	Input	Serial clock for temperature sensor/SPD EEPROM: Used to synchronize communication to and from the temperature sensor/SPD EEPROM on the I ² C bus.
CBx	I/O	Check bits: Used for system error detection and correction.
DQx	I/O	Data input/output: Bidirectional data bus.
DQSx, DQSx#	I/O	Data strobe: Differential data strobes. Output with read data; edge-aligned with read data; input with write data; center-aligned with write data.



Table 7: Pin Descriptions (Continued)

Symbol	Type	Description
SDA	I/O	Serial data: Used to transfer addresses and data into and out of the temperature sensor/SPD EEPROM on the I ² C bus.
TDQSx, TDQSx#	Output	Redundant data strobe (x8 devices only): TDQS is enabled/disabled via the LOAD MODE command to the extended mode register (EMR). When TDQS is enabled, DM is disabled and TDQS and TDQS# provide termination resistance; otherwise, TDQS# are no function.
Err_Out#	Output (open drain)	Parity error output: Parity error found on the command and address bus.
EVENT#	Output (open drain)	Temperature event: The EVENT# pin is asserted by the temperature sensor when critical temperature thresholds have been exceeded.
V _{DD}	Supply	Power supply: 1.35V (1.283–1.45V) backward-compatible to 1.5V (1.425–1.575V). The component V _{DD} and V _{DDQ} are connected to the module V _{DD} .
V _{DDSPD}	Supply	Temperature sensor/SPD EEPROM power supply: 3.0–3.6V.
V _{REFCA}	Supply	Reference voltage: Control, command, and address V _{DD} /2.
V _{REFDQ}	Supply	Reference voltage: DQ, DM V _{DD} /2.
V _{SS}	Supply	Ground.
V _{TT}	Supply	Termination voltage: Used for control, command, and address V _{DD} /2.
NC	–	No connect: These pins are not connected on the module.
NF	–	No function: These pins are connected within the module, but provide no functionality.



DQ Maps

Table 8: Component-to-Module DQ Map, PCB 0692 (R/C A)

Component Reference Number	Component DQ	Module DQ	Module Pin Number	Component Reference Number	Component DQ	Module DQ	Module Pin Number
U1	0	10	18	U2	0	26	36
	1	13	132		1	29	150
	2	15	138		2	27	37
	3	9	13		3	25	31
	4	14	137		4	30	155
	5	12	131		5	28	149
	6	11	19		6	31	156
	7	8	12		7	24	30
U5	0	34	87	U6	0	50	105
	1	37	201		1	53	219
	2	39	207		2	55	225
	3	33	82		3	49	100
	4	38	206		4	54	224
	5	36	200		5	52	218
	6	35	88		6	51	106
	7	32	81		7	48	99
U7	0	57	109	U8	0	45	210
	1	62	233		1	42	96
	2	56	108		2	40	90
	3	59	115		3	47	216
	4	61	228		4	41	91
	5	63	234		5	43	97
	6	60	227		6	44	209
	7	58	114		7	46	215
U10	0	CB1	40	U11	0	21	141
	1	CB7	165		1	18	27
	2	CB0	39		2	17	22
	3	CB2	45		3	19	28
	4	CB5	159		4	20	140
	5	CB3	46		5	23	147
	6	CB4	158		6	16	21
	7	CB6	164		7	22	146



Table 8: Component-to-Module DQ Map, PCB 0692 (R/C A) (Continued)

Component Reference Number	Component DQ	Module DQ	Module Pin Number	Component Reference Number	Component DQ	Module DQ	Module Pin Number
U12	0	5	123				
	1	2	9				
	2	1	4				
	3	6	128				
	4	4	122				
	5	3	10				
	6	0	3				
	7	7	129				

Table 9: Component-to-Module DQ Map, PCB 1486 (R/C A1)

Component Reference Number	Component DQ	Module DQ	Module Pin Number	Component Reference Number	Component DQ	Module DQ	Module Pin Number
U2	0	10	18	U3	0	26	36
	1	13	132		1	29	150
	2	15	138		2	27	37
	3	9	13		3	25	31
	4	14	137		4	30	155
	5	12	131		5	28	149
	6	11	19		6	31	156
	7	8	12		7	24	30
U5	0	34	87	U6	0	50	105
	1	37	201		1	53	219
	2	39	207		2	55	225
	3	33	82		3	49	100
	4	38	206		4	54	224
	5	36	200		5	52	218
	6	35	88		6	51	106
	7	32	81		7	48	99

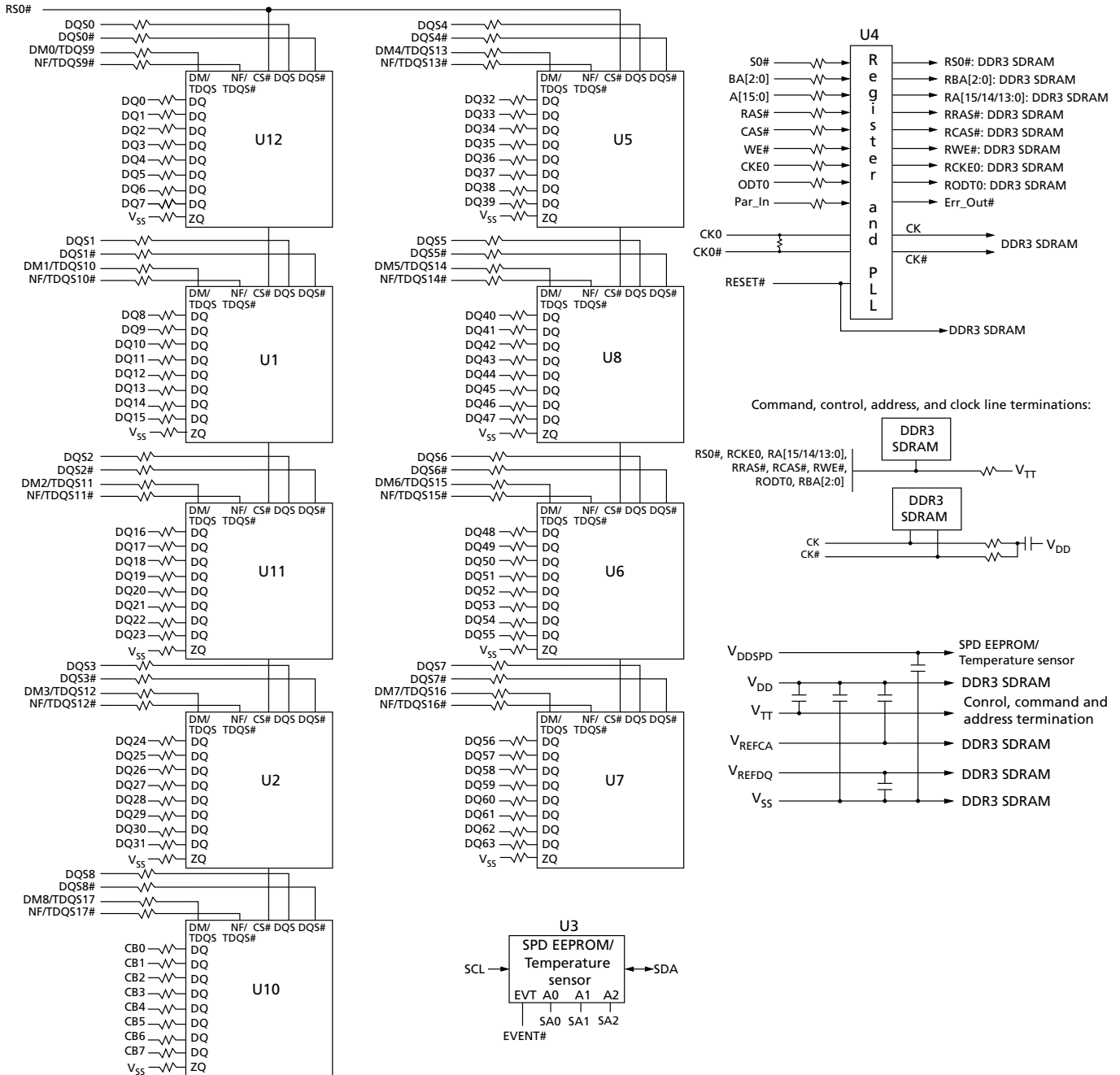


Table 9: Component-to-Module DQ Map, PCB 1486 (R/C A1) (Continued)

Component Reference Number	Component DQ	Module DQ	Module Pin Number	Component Reference Number	Component DQ	Module DQ	Module Pin Number
U8	0	57	109	U9	0	45	210
	1	62	233		1	42	96
	2	56	108		2	40	90
	3	59	115		3	47	216
	4	61	228		4	41	91
	5	63	234		5	43	97
	6	60	227		6	44	209
	7	58	114		7	46	215
U10	0	CB1	40	U11	0	21	141
	1	CB7	165		1	18	27
	2	CB0	39		2	17	22
	3	CB2	45		3	19	28
	4	CB5	159		4	20	140
	5	CB3	46		5	23	147
	6	CB4	158		6	16	21
	7	CB6	164		7	22	146
U12	0	5	123				
	1	2	9				
	2	1	4				
	3	6	128				
	4	4	122				
	5	3	10				
	6	0	3				
	7	7	129				

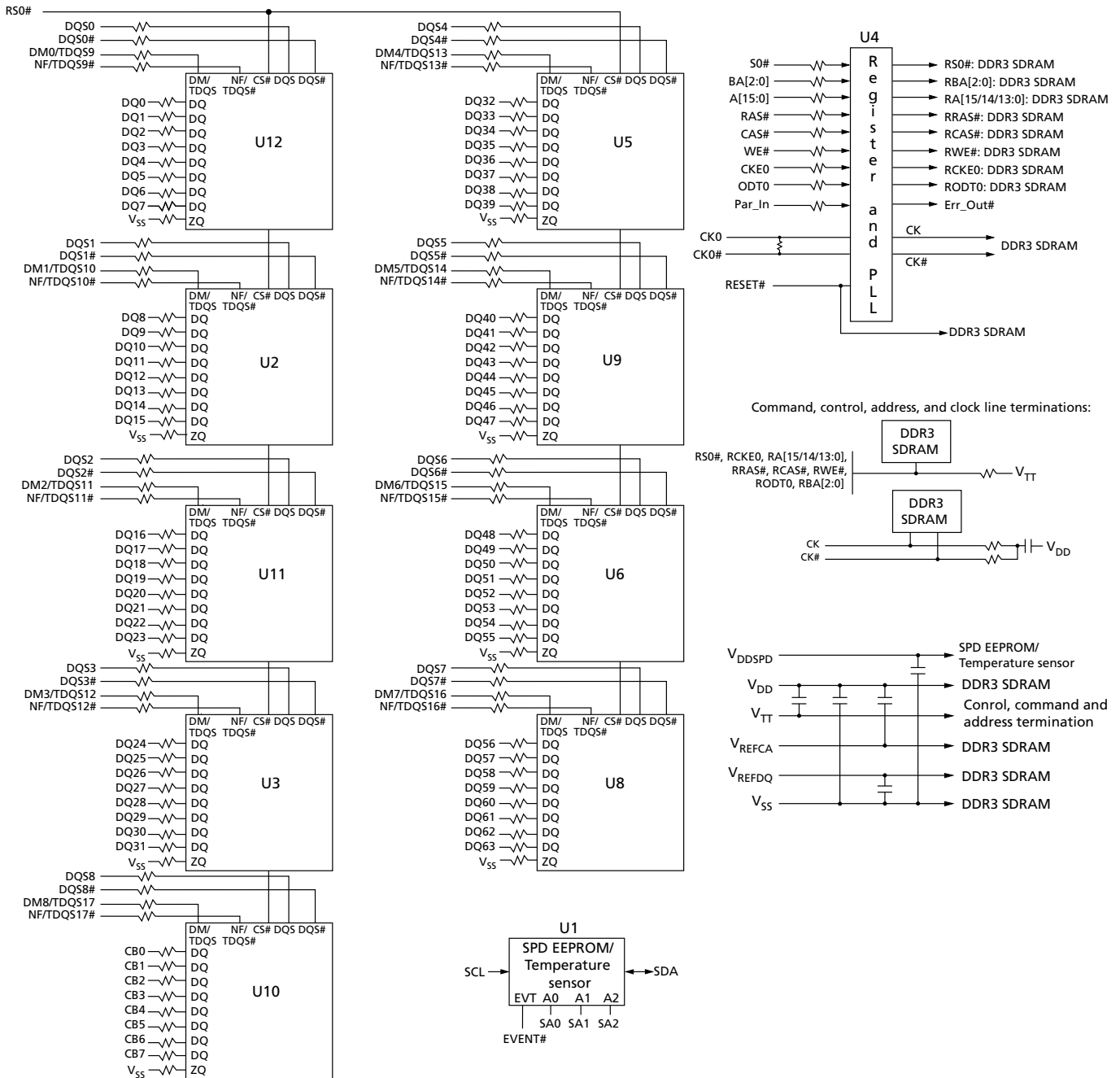
Functional Block Diagrams

Figure 3: Functional Block Diagram, PCB 0692 (R/C A)



Note: 1. The ZQ ball on each DDR3 component is connected to an external 240Ω ±1% resistor that is tied to ground. It is used for the calibration of the component's ODT and output driver.

Figure 4: Functional Block Diagram, PCB 1486 (R/C A1)



Note: 1. The ZQ ball on each DDR3 component is connected to an external $240\Omega \pm 1\%$ resistor that is tied to ground. It is used for the calibration of the component's ODT and output driver.

General Description

DDR3 SDRAM modules are high-speed, CMOS dynamic random access memory modules that use internally configured 8-bank DDR3 SDRAM devices. DDR3 SDRAM modules use DDR architecture to achieve high-speed operation. DDR3 architecture is essentially an $8n$ -prefetch architecture with an interface designed to transfer two data words per clock cycle at the I/O pins. A single read or write access for the DDR3 SDRAM module effectively consists of a single $8n$ -bit-wide, one-clock-cycle data transfer at the internal DRAM core and eight corresponding n -bit-wide, one-half-clock-cycle data transfers at the I/O pins.

DDR3 modules use two sets of differential signals: DQS, DQS# to capture data and CK and CK# to capture commands, addresses, and control signals. Differential clocks and data strobes ensure exceptional noise immunity for these signals and provide precise crossing points to capture input signals.

Fly-By Topology

DDR3 modules use faster clock speeds than earlier DDR technologies, making signal quality more important than ever. For improved signal quality, the clock, control, command, and address buses have been routed in a fly-by topology, where each clock, control, command, and address pin on each DRAM is connected to a single trace and terminated (rather than a tree structure, where the termination is off the module near the connector). Inherent to fly-by topology, the timing skew between the clock and DQS signals can be easily accounted for by using the write-leveling feature of DDR3.

Registering Clock Driver Operation

Registered DDR3 SDRAM modules use a registering clock driver device consisting of a register and a phase-lock loop (PLL). The device complies with the JEDEC standard "Definition of the SSTE32882 Registering Clock Driver with Parity and Quad Chip Selects for DDR3 RDIMM Applications."

The register section of the registering clock driver latches command and address input signals on the rising clock edge. The PLL section of the registering clock driver receives and redrives the differential clock signals (CK, CK#) to the DDR3 SDRAM devices. The register(s) and PLL reduce clock, control, command, and address signals loading by isolating DRAM from the system controller.

Parity Operations

The registering clock driver includes an even parity function for checking parity. The memory controller accepts a parity bit at the Par_In input and compares it with the data received on A[15:0], BA[2:0], RAS#, CAS#, and WE#. Valid parity is defined as an even number of ones (1s) across the address and command inputs (A[15:0], BA[2:0], RAS#, CAS#, and WE#) combined with Par_In. Parity errors are flagged on Err_Out#.

Address and command parity is checked during all DRAM operations and during control word WRITE operations to the registering clock driver. For SDRAM operations, the address is still propagated to the SDRAM even when there is a parity error. When writing to the internal control words of the registering clock driver, the write will be ignored if parity is not valid. For this reason, systems must connect the Par_In pins on the DIMM and provide correct parity when writing to the registering clock driver control word configuration registers.



Temperature Sensor with Serial Presence-Detect EEPROM

Thermal Sensor Operations

The temperature from the integrated thermal sensor is monitored and converts into a digital word via the I²C bus. System designers can use the user-programmable registers to create a custom temperature-sensing solution based on system requirements. Programming and configuration details comply with JEDEC standard No. 21-C page 4.7-1, "Definition of the TSE2002av, Serial Presence Detect with Temperature Sensor."

Serial Presence-Detect EEPROM Operation

DDR3 SDRAM modules incorporate serial presence-detect. The SPD data is stored in a 256-byte EEPROM. The first 128 bytes are programmed by Micron to comply with JEDEC standard JC-45, "Appendix X: Serial Presence Detect (SPD) for DDR3 SDRAM Modules." These bytes identify module-specific timing parameters, configuration information, and physical attributes. The remaining 128 bytes of storage are available for use by the customer. System READ/WRITE operations between the master (system logic) and the slave EEPROM device occur via a standard I²C bus using the DIMM's SCL (clock) SDA (data), and SA (address) pins. Write protect (WP) is connected to V_{SS}, permanently disabling hardware write protection. For further information refer to Micron technical note TN-04-42, "Memory Module Serial Presence-Detect."

Electrical Specifications

Stresses greater than those listed may cause permanent damage to the module. This is a stress rating only, and functional operation of the module at these or any other conditions outside those indicated in each device's data sheet is not implied. Exposure to absolute maximum rating conditions for extended periods may adversely affect reliability.

Table 10: Absolute Maximum Ratings

Symbol	Parameter	Min	Max	Units
V_{DD}	V_{DD} supply voltage relative to V_{SS}	-0.4	1.975	V
V_{IN}, V_{OUT}	Voltage on any pin relative to V_{SS}	-0.4	1.975	V

Table 11: Operating Conditions

Symbol	Parameter	Min	Nom	Max	Units	Notes
V_{DD}	V_{DD} supply voltage	1.283	1.35	1.45	V	
		1.425	1.5	1.575	V	1
$V_{REFCA(DC)}$	Input reference voltage command/address bus	$0.49 \times V_{DD}$	$0.5 \times V_{DD}$	$0.51 \times V_{DD}$	V	
$V_{REFDQ(DC)}$	I/O reference voltage DQ bus	$0.49 \times V_{DD}$	$0.5 \times V_{DD}$	$0.51 \times V_{DD}$	V	
I_{VTT}	Termination reference current from V_{TT}	-600	-	600	mA	
V_{TT}	Termination reference voltage (DC) – command/address bus	$0.49 \times V_{DD} - 20mV$	$0.5 \times V_{DD}$	$0.51 \times V_{DD} + 20mV$	V	2
I_I	Input leakage current; Any input $0V \leq V_{IN} \leq V_{DD}$; V_{REF} input $0V \leq V_{IN} \leq 0.95V$ (All other pins not under test = 0V)				μA	6
I_{OZ}	Output leakage current; $0V \leq V_{OUT} \leq V_{DD}$; DQ and ODT are disabled; ODT is HIGH				μA	
I_{VREF}	V_{REF} supply leakage current; $V_{REFDQ} = V_{DD}/2$ or $V_{REFCA} = V_{DD}/2$ (All other pins not under test = 0V)	-9	0	9	μA	
T_A	Module ambient operating temperature				$^{\circ}C$	3, 4
T_C	DDR3 SDRAM component case operating temperature				$^{\circ}C$	3, 4, 5

- Notes:
- Module is backward-compatible with 1.5V operation. Refer to device specification for details and operation guidance.
 - V_{TT} termination voltage in excess of the stated limit will adversely affect the command and address signals' voltage margin and will reduce timing margins.
 - T_A and T_C are simultaneous requirements.
 - For further information, refer to technical note TN-00-08: "Thermal Applications," available on Micron's Web site.
 - The refresh rate is required to double when $85^{\circ}C < T_C \leq 95^{\circ}C$.
 - Inputs are terminated to $V_{DD}/2$. Input current is dependent on terminating resistance selected in register.



DRAM Operating Conditions

Recommended AC operating conditions are given in the DDR3 component data sheets. Component specifications are available on Micron's web site. Module speed grades correlate with component speed grades, as shown below.

Table 12: Module and Component Speed Grades

DDR3 components may exceed the listed module speed grades; module may not be available in all listed speed grades

Module Speed Grade	Component Speed Grade
-2G1	-093
-1G9	-107
-1G6	-125
-1G4	-15E
-1G1	-187E
-1G0	-187
-80C	-25E
-80B	-25

Design Considerations

Simulations

Micron memory modules are designed to optimize signal integrity through carefully designed terminations, controlled board impedances, routing topologies, trace length matching, and decoupling. However, good signal integrity starts at the system level. Micron encourages designers to simulate the signal characteristics of the system's memory bus to ensure adequate signal integrity of the entire memory system.

Power

Operating voltages are specified at the DRAM, not at the edge connector of the module. Designers must account for any system voltage drops at anticipated power levels to ensure the required supply voltage is maintained.



I_{DD} Specifications

Table 13: DDR3 I_{DD} Specifications and Conditions – 1GB (Die Revision G)

Values are for the MT41K128M8 DDR3LSDRAM only and are computed from values specified in the 1Gb (128 Meg x 8) 1.35V component data sheet

Parameter	Symbol	1600	1333	1066	Units
Operating current 0: One bank ACTIVATE-to-PRECHARGE	I _{DD0}	675	630	585	mA
Operating current 1: One bank ACTIVATE-to-READ-to-PRE-CHARGE	I _{DD1}	810	765	720	mA
Precharge power-down current: Slow exit	I _{DD2P0}	108	108	108	mA
Precharge power-down current: Fast exit	I _{DD2P1}	315	270	225	mA
Precharge quiet standby current	I _{DD2Q}	405	405	360	mA
Precharge standby current	I _{DD2N}	405	405	360	mA
Precharge standby ODT current	I _{DD2NT}	495	450	450	mA
Active power-down current	I _{DD3P}	315	315	270	mA
Active standby current	I _{DD3N}	405	405	360	mA
Burst read operating current	I _{DD4R}	1305	1170	990	mA
Burst write operating current	I _{DD4W}	1350	1215	1035	mA
Refresh current	I _{DD5B}	1575	1530	1485	mA
Self refresh temperature current: MAX T _C = 85°C	I _{DD6}	72	72	72	mA
Self refresh temperature current (SRT-enabled): MAX T _C = 95°C	I _{DD6ET}	90	90	90	mA
All banks interleaved read current	I _{DD7}	2250	2205	1800	mA
Reset current	I _{DD8}	126	126	126	mA



Table 14: DDR3 I_{DD} Specifications and Conditions – 2GB (Die Revision M)

Values are for the MT41K256M8 DDR3L SDRAM only and are computed from values specified in the 2Gb (256 Meg x 8) 1.35V component data sheet

Parameter	Symbol	1600	1333	1066	Units
Operating current 0: One bank ACTIVATE-to-PRECHARGE	I _{DD0}	540	495	450	mA
Operating current 1: One bank ACTIVATE-to-READ-to-PRECHARGE	I _{DD1}	675	630	585	mA
Precharge power-down current: Slow exit	I _{DD2P0}	108	108	108	mA
Precharge power-down current: Fast exit	I _{DD2P1}	297	252	207	mA
Precharge quiet standby current	I _{DD2Q}	297	252	207	mA
Precharge standby current	I _{DD2N}	315	270	225	mA
Precharge standby ODT current	I _{DD2NT}	360	315	270	mA
Active power-down current	I _{DD3P}	423	378	333	mA
Active standby current	I _{DD3N}	468	423	378	mA
Burst read operating current	I _{DD4R}	1260	1125	990	mA
Burst write operating current	I _{DD4W}	1125	990	855	mA
Refresh current	I _{DD5B}	1710	1665	1620	mA
Self refresh temperature current: MAX T _C = 85°C	I _{DD6}	108	108	108	mA
Self refresh temperature current (SRT-enabled): MAX T _C = 95°C	I _{DD6ET}	135	135	135	mA
All banks interleaved read current	I _{DD7}	1980	1845	1710	mA
Reset current	I _{DD8}	126	126	126	mA



Table 15: DDR3 I_{DD} Specifications and Conditions – 2GB (Die Revision K)

Values are for the MT41K256M8 DDR3L SDRAM only and are computed from values specified in the 2Gb (256 Meg x 8) 1.35V component data sheet

Parameter	Symbol	1600	1333	1066	Units
Operating current 0: One bank ACTIVATE-to-PRECHARGE	I _{DD0}	351	342	324	mA
Operating current 1: One bank ACTIVATE-to-READ-to-PRECHARGE	I _{DD1}	468	450	414	mA
Precharge power-down current: Slow exit	I _{DD2P0}	108	108	108	mA
Precharge power-down current: Fast exit	I _{DD2P1}	126	126	126	mA
Precharge quiet standby current	I _{DD2Q}	180	180	180	mA
Precharge standby current	I _{DD2N}	189	189	189	mA
Precharge standby ODT current	I _{DD2NT}	279	261	234	mA
Active power-down current	I _{DD3P}	189	189	189	mA
Active standby current	I _{DD3N}	288	270	252	mA
Burst read operating current	I _{DD4R}	846	738	612	mA
Burst write operating current	I _{DD4W}	873	765	657	mA
Refresh current	I _{DD5B}	1620	1611	1593	mA
Self refresh temperature current: MAX T _C = 85°C	I _{DD6}	108	108	108	mA
Self refresh temperature current (SRT-enabled): MAX T _C = 95°C	I _{DD6ET}	135	135	135	mA
All banks interleaved read current	I _{DD7}	1404	1305	1089	mA
Reset current	I _{DD8}	126	126	126	mA



Table 16: DDR3 I_{DD} Specifications and Conditions – 4GB (Die Revisions E and J)

Values are for the MT41K512M8 DDR3L SDRAM only and are computed from values specified in the 4Gb (512 Meg x 8) 1.35V component data sheet

Parameter	Symbol	1600	1333	1066	Units
Operating current 0: One bank ACTIVATE-to-PRECHARGE	I _{DD0}	495	423	396	mA
Operating current 1: One bank ACTIVATE-to-READ-to-PRECHARGE	I _{DD1}	594	558	531	mA
Precharge power-down current: Slow exit	I _{DD2P0}	162	162	162	mA
Precharge power-down current: Fast exit	I _{DD2P1}	288	252	234	mA
Precharge quiet standby current	I _{DD2Q}	288	252	243	mA
Precharge standby current	I _{DD2N}	288	261	252	mA
Precharge standby ODT current	I _{DD2NT}	351	315	288	mA
Active power-down current	I _{DD3P}	342	315	288	mA
Active standby current	I _{DD3N}	342	315	288	mA
Burst read operating current	I _{DD4R}	1413	1260	1107	mA
Burst write operating current	I _{DD4W}	1125	990	855	mA
Refresh current	I _{DD5B}	2115	2052	2016	mA
Self refresh temperature current: MAX T _C = 85°C	I _{DD6}	180	180	180	mA
Self refresh temperature current (SRT-enabled): MAX T _C = 95°C	I _{DD6ET}	225	225	225	mA
All banks interleaved read current	I _{DD7}	1980	1710	1440	mA
Reset current	I _{DD8}	180	180	180	mA



Registering Clock Driver Specifications

Table 17: Registering Clock Driver Electrical Characteristics

SSTE32882 devices or equivalent; Note 1 applies to entire table

Parameter	Symbol	Pins	Min	Nom	Max	Units	Notes
DC supply voltage	V_{DD}	–	1.283	1.35	1.45	V	
			1.425	1.5	1.575	V	2
DC reference voltage	V_{REF}	–	$0.49 \times V_{DD} - 20\text{mV}$	$0.5 \times V_{DD}$	$0.51 \times V_{DD} + 20\text{mV}$	V	
DC termination voltage	V_{TT}	–	$0.49 \times V_{DD} - 20\text{mV}$	$0.5 \times V_{DD}$	$0.51 \times V_{DD} + 20\text{mV}$	V	
AC high-level input voltage	$V_{IH(AC)}$	Control, command, address	$V_{REF} + 175\text{mV}$	–	$V_{DD} + 400\text{mV}$	V	
AC low-level input voltage	$V_{IL(AC)}$	Control, command, address	–0.4	–	$V_{REF} - 175\text{mV}$	V	
DC high-level input voltage	$V_{IH(DC)}$	Control, command, address	$V_{REF} + 100\text{mV}$	–	$V_{DD} + 0.4$	V	
DC low-level input voltage	$V_{IL(DC)}$	Control, command, address	–0.4	–	$V_{REF} - 100\text{mV}$	V	
High-level input voltage	$V_{IH(CMOS)}$	RESET#, MIRROR	$0.65 \times V_{DD}$	–	V_{DD}	V	
Low-level input voltage	$V_{IL(CMOS)}$	RESET#, MIRROR	0	–	$0.35 \times V_{DD}$	V	
Differential input crosspoint voltage range	$V_{IX(AC)}$	CK, CK#, FBIN, FBIN#	$0.5 \times V_{DD} - 175\text{mV}$	$0.5 \times V_{DD}$	$0.5 \times V_{DD} + 175\text{mV}$	V	
Differential input voltage	$V_{ID(AC)}$	CK, CK#	350	–	$V_{DD} + \text{TBD}$	mV	
High-level output current	I_{OH}	Err_Out#	–	–	TBD	mA	
Low-level output current	I_{OL}	Err_Out#	TBD	–	TBD	mA	

- Notes:
1. Timing and switching specifications for the register listed are critical for proper operation of the DDR3 SDRAM RDIMMs. These are meant to be a subset of the parameters for the specific device used on the module.
 2. The register is backward-compatible with 1.5V operation. Refer to device specification for details and operation guidance.



Temperature Sensor with Serial Presence-Detect EEPROM

The temperature sensor continuously monitors the module's temperature and can be read back at any time over the I²C bus shared with the SPD EEPROM. Refer to JEDEC standard No. 21-C page 4.7-1, "Definition of the TSE2002av, Serial Presence Detect with Temperature Sensor."

Serial Presence-Detect

For the latest SPD data, refer to Micron's SPD page: www.micron.com/SPD.

Table 18: Temperature Sensor with SPD EEPROM Operating Conditions

Parameter/Condition	Symbol	Min	Max	Units
Supply voltage	V _{DDSPD}	3.0	3.6	V
Supply current: V _{DD} = 3.3V	I _{DD}	–	2.0	mA
Input high voltage: Logic 1; SCL, SDA	V _{IH}	V _{DDSPD} × 0.7	V _{DDSPD} + 1	V
Input low voltage: Logic 0; SCL, SDA	V _{IL}	–0.5	V _{DDSPD} × 0.3	V
Output low voltage: I _{OUT} = 2.1mA	V _{OL}	–	0.4	V
Input current	I _{IN}	–5.0	5.0	μA
Temperature sensing range	–	–40	125	°C
Temperature sensor accuracy (class B)	–	–1.0	1.0	°C

Table 19: Temperature Sensor and SPD EEPROM Serial Interface Timing

Parameter/Condition	Symbol	Min	Max	Units
Time bus must be free before a new transition can start	t _{BUF}	4.7	–	μs
SDA fall time	t _F	20	300	ns
SDA rise time	t _R	–	1000	ns
Data hold time	t _{HD:DAT}	200	900	ns
Start condition hold time	t _{H:STA}	4.0	–	μs
Clock HIGH period	t _{HIGH}	4.0	50	μs
Clock LOW period	t _{LOW}	4.7	–	μs
SCL clock frequency	t _{SCL}	10	100	kHz
Data setup time	t _{SU:DAT}	250	–	ns
Start condition setup time	t _{SU:STA}	4.7	–	μs
Stop condition setup time	t _{SU:STO}	4.0	–	μs

EVENT# Pin

The temperature sensor also adds the EVENT# pin (open-drain). Not used by the SPD EEPROM, EVENT# is a temperature sensor output used to flag critical events that can be set up in the sensor's configuration register.

EVENT# has three defined modes of operation: interrupt mode, compare mode, and critical temperature mode. Event thresholds are programmed in the 0x01 register using a hysteresis. The alarm window provides a comparison window, with upper and lower limits set in the alarm upper boundary register and the alarm lower boundary register, respectively. When the alarm window is enabled, EVENT# will trigger whenever the temperature is outside the MIN or MAX values set by the user.

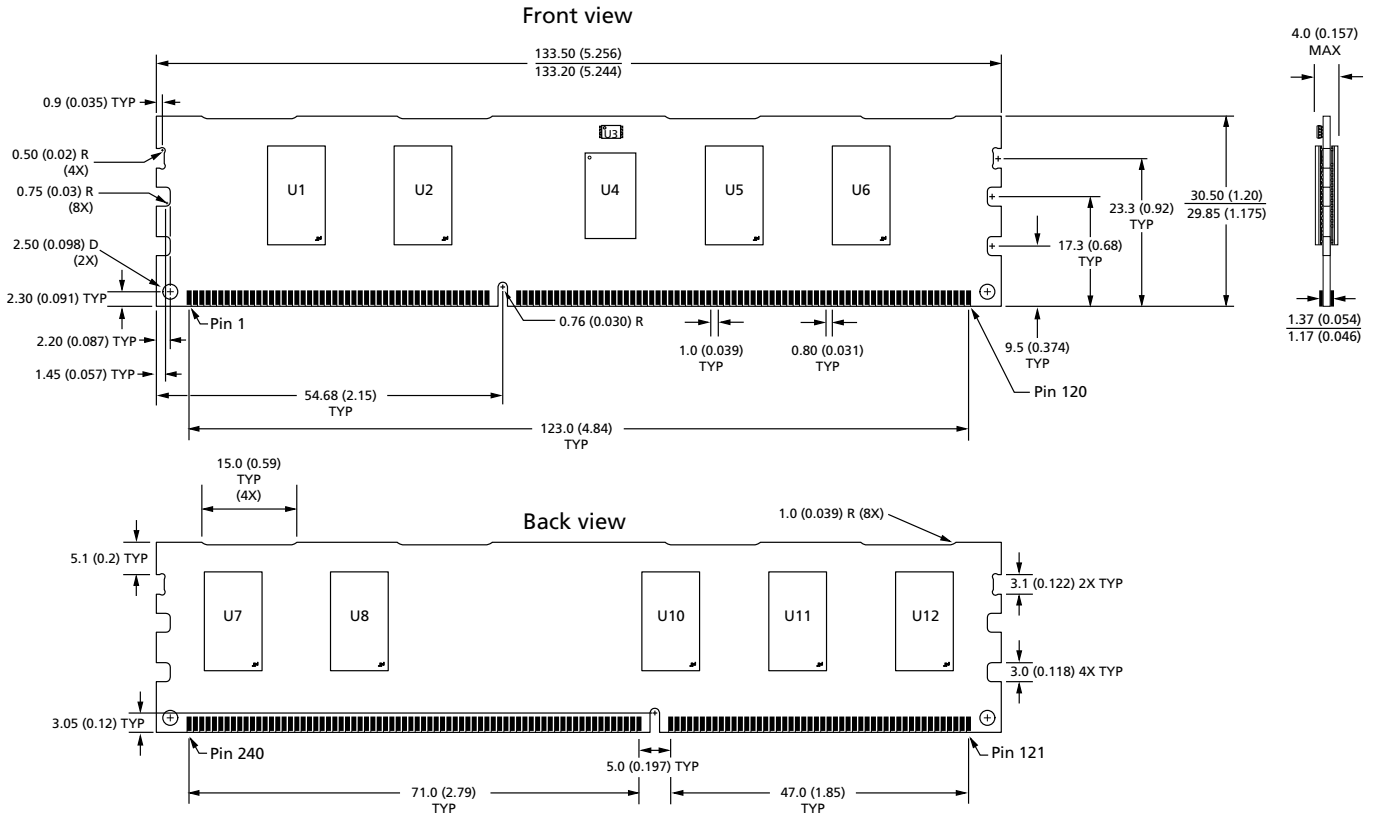
The interrupt mode enables software to reset EVENT# after a critical temperature threshold has been detected. Threshold points are set in the configuration register by the user. This mode triggers the critical temperature limit and both the MIN and MAX of the temperature window.

The compare mode is similar to the interrupt mode, except EVENT# cannot be reset by the user and returns to the logic HIGH state only when the temperature falls below the programmed thresholds.

Critical temperature mode triggers EVENT# only when the temperature has exceeded the programmed critical trip point. When the critical trip point has been reached, the temperature sensor goes into comparator mode, and the critical EVENT# cannot be cleared through software.

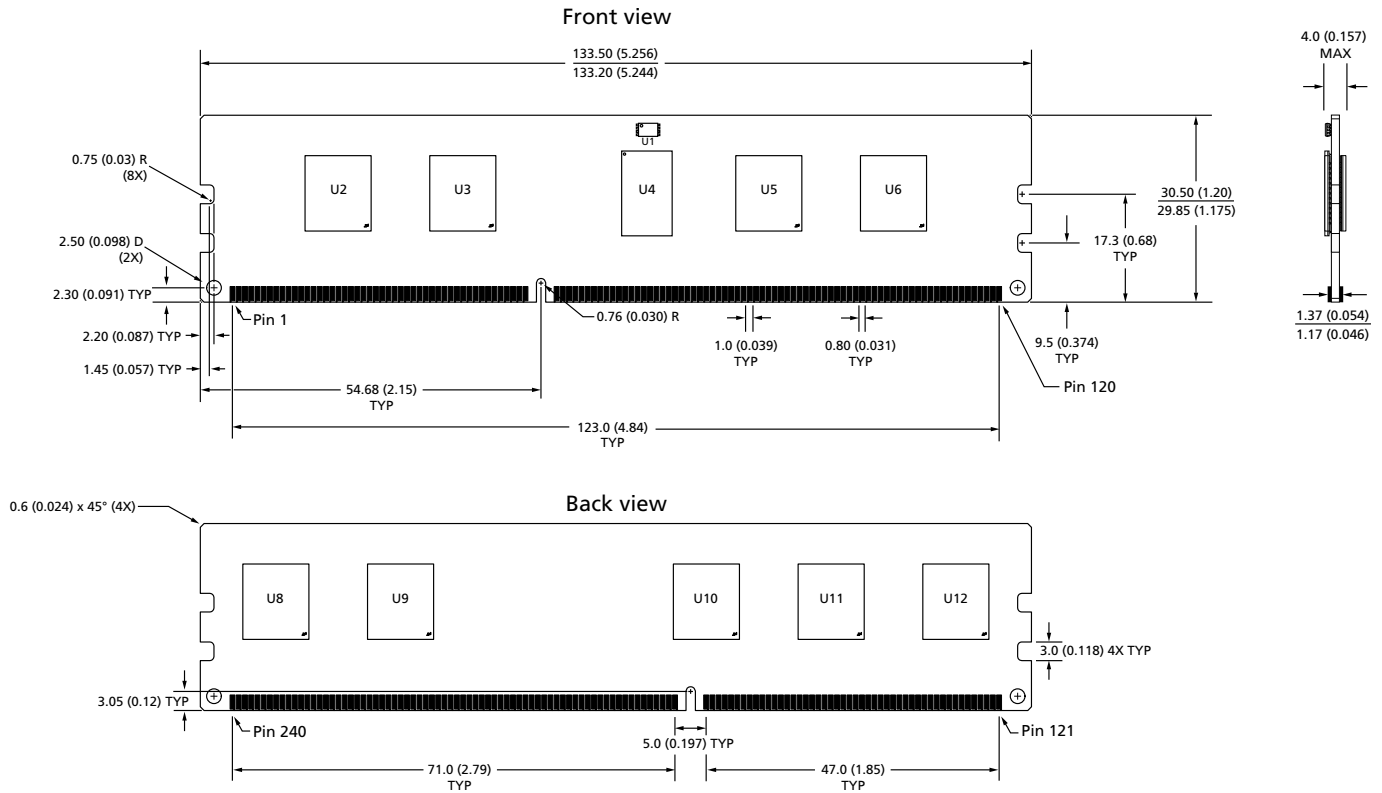
Module Dimensions

Figure 5: 240-Pin DDR3 RDIMM, PCB 0692 (R/C A)



- Notes: 1. All dimensions are in millimeters (inches); MAX/MIN or typical (TYP) where noted.
2. The dimensional diagram is for reference only.

Figure 6: 240-Pin DDR3 RDIMM, PCB 1486 (R/C A1)



- Notes: 1. All dimensions are in millimeters (inches); MAX/MIN or typical (TYP) where noted.
 2. The dimensional diagram is for reference only.

8000 S. Federal Way, P.O. Box 6, Boise, ID 83707-0006, Tel: 208-368-3900
www.micron.com/productsupport Customer Comment Line: 800-932-4992
 Micron and the Micron logo are trademarks of Micron Technology, Inc.
 All other trademarks are the property of their respective owners.

This data sheet contains minimum and maximum limits specified over the power supply and temperature range set forth herein. Although considered final, these specifications are subject to change, as further product development and data characterization sometimes occur.

Looking for pricing, stock, or lifecycle information?

Click below to explore more details on WIN SOURCE:

- ⊖ [View MT9KSF25672PZ-1G6M1 on WIN SOURCE](#)
- ⊖ [Micron Technology Inc. Information](#)

Optimize Your Supply Chain with WIN SOURCE Solutions

- ✓ Global Sourcing Solution
- ✓ Obsolete Management
- ✓ Cost Control Management
- ✓ Shortage Management
- ✓ Alternative Solution
- ✓ Excess Inventory Management