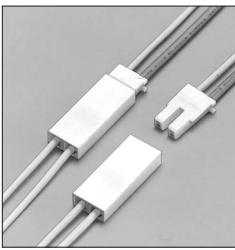




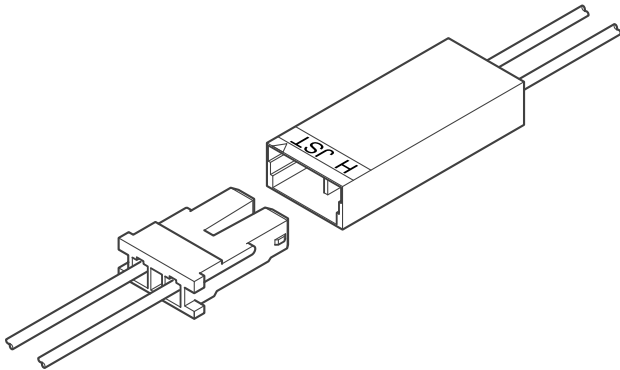
# THE DATASHEET OF BHSR-02VS-1





# BHS CONNECTOR

3.5mm pitch/Disconnectable Crimp style Wire-to-wire connectors



**Wire-to-wire version connectors, designed for connecting liquid crystal display back light lamp to their starters.**

- Compact and applicable to high voltage
- Adopt wide large for socket contact

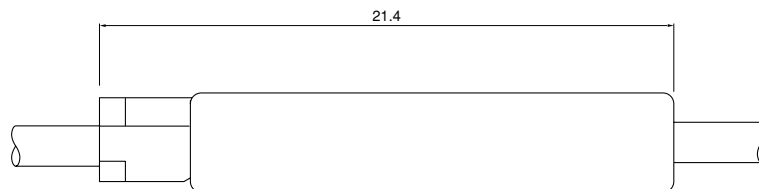
## Specifications

- Current rating: 1.0A AC, DC
  - Voltage rating: 1,400V AC, DC
  - Temperature range: -25°C to +85°C  
(including temperature rise in applying electrical current)
  - Contact resistance: Initial value/10m  $\Omega$  max.  
After environmental testing/20m  $\Omega$  max.
  - Insulation resistance: 1,000M  $\Omega$  min.
  - Withstanding voltage: 3,800V AC/minute
  - Applicable wire: Socket contact Conductor AWG #28 to #24  
Insulation O.D./ 0.9 to 1.7mm  
Pin contact Conductor AWG #28 to #24  
Insulation O.D./ 0.9 to 1.8mm
- \* Compliant with RoHS.  
\* Refer to "General Instruction and Notice when using Terminals and Connectors" at the end of this catalog.  
\* Contact JST for details.

## Standards

- Recognized E60389
- Certified LR20812

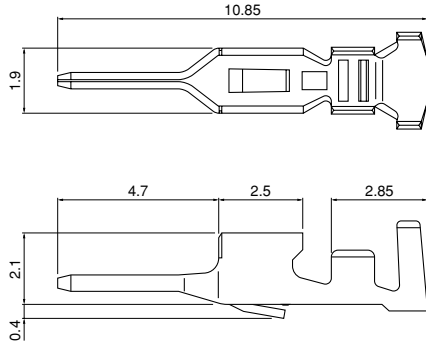
## Assembly layout



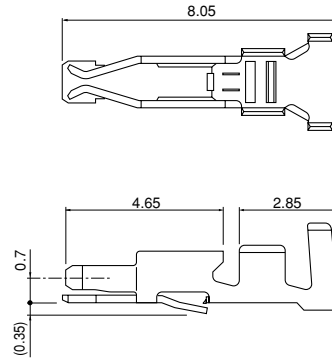
# BHS CONNECTOR

## Contact

### Pin contact



### Socket contact



Model No.		Applicable wire		Insulation O.D. (mm)		Q'ty / reel	
Pin contact	Socket contact	mm <sup>2</sup>	AWG #	Pin contact	Socket contact	Pin contact	Socket contact
<b>SBHSM-002T-P0.5</b>	<b>SBHS-002T-P0.5A</b>	0.08~0.22	28~24	0.9~1.8	0.9~1.7	5,000	10,000

### Material and Finish

Phosphor bronze, tin-plated (reflow treatment)

### RoHS compliance

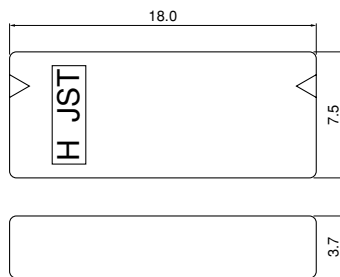
Note: Contact JST for SBHS-002T-P0.5.

Contact	Crimping machine	Applicator		
		Crimp applicator	Dies	Crimp applicator with dies
<b>SBHSM-002T-P0.5</b>	AP-K2N	MKS-L	MK/SBHSM-002-05	APLMK SBHSM002-05
		—	—	—

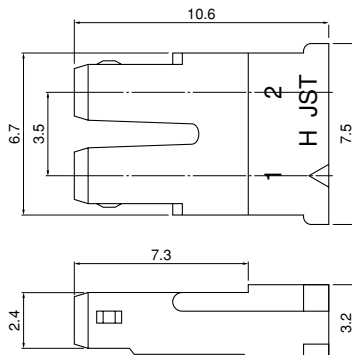
Contact	Crimping machine	Applicator		
		Crimp applicator	Dies	Crimp applicator with dies
<b>SBHS-002T-P0.5A</b>	AP-K2N	MKS-L	MK/SBHS-002-05	APLMK SBHS002-05
		—	—	—

## Housing

### Receptacle housing (for pin contact)



### Socket housing (for socket contact)



Model No.		Q'ty / bag
Receptacle housing	Socket housing	
<b>BHSMR-02VS</b>	<b>BHSR-02VS-1 (N)</b>	1,000

### Material

PA 66, UL94V-0, natural (white)

### RoHS compliance

Note: Contact JST for BHSR-02VS-1.

## Looking for pricing, stock, or lifecycle information?

Click below to explore more details on WIN SOURCE:

- [View BHSR-02VS-1 on WIN SOURCE](#)
- [JST Sales America Inc. Information](#)

## Optimize Your Supply Chain with WIN SOURCE Solutions

- ✓ Global Sourcing Solution
- ✓ Obsolete Management
- ✓ Cost Control Management
- ✓ Shortage Management
- ✓ Alternative Solution
- ✓ Excess Inventory Management