



**THE DATASHEET OF
IS41LV16100C-50TI**



1Mx16 16Mb DRAM WITH EDO PAGE MODE

FEBRUARY 2012

FEATURES

- TTL compatible inputs and outputs; tristate I/O
- Refresh Interval:
 - Auto refresh Mode: 1,024 cycles /16 ms
 - $\overline{\text{RAS}}$ -Only, $\overline{\text{CAS}}$ -before- $\overline{\text{RAS}}$ (CBR), and Hidden
 - Self refresh Mode: 1,024 cycles /128 ms
- JEDEC standard pinout
- Single power supply:
 - 5V \pm 10% (IS41C16100C)
 - 3.3V \pm 10% (IS41LV16100C)
- Byte Write and Byte Read operation via two $\overline{\text{CAS}}$
- Industrial Temperature Range: -40°C to +85°C

DESCRIPTION

The *ISSI* IS41C16100C and IS41LV16100C are 1,048,576 x 16-bit high-performance CMOS Dynamic Random Access Memories. These devices offer a cycle access called Extended Data Out (EDO) Page Mode. EDO Page Mode allows 1,024 random accesses within a single row with access cycle time as short as 30 ns per 16-bit word. It is asynchronous, as it does not require a clock signal input to synchronize commands and I/O.

These features make the IS41C/41LV16100C ideally suited for high-bandwidth graphics, digital signal processing, high-performance computing systems, and peripheral applications that run without a clock to synchronize with the DRAM.

The IS41C/41LV16100C is packaged in a 42-pin 400-mil SOJ and 400-mil 50/44 pin TSOP (Type II).

KEY TIMING PARAMETERS

| Parameter | -50 | Unit |
|---|-----|------|
| Max. $\overline{\text{RAS}}$ Access Time (t_{RAC}) | 50 | ns |
| Max. $\overline{\text{CAS}}$ Access Time (t_{CAC}) | 14 | ns |
| Max. Column Address Access Time (t_{AA}) | 25 | ns |
| Min. EDO Page Mode Cycle Time (t_{PC}) | 30 | ns |
| Min. Read/Write Cycle Time (t_{RC}) | 85 | ns |

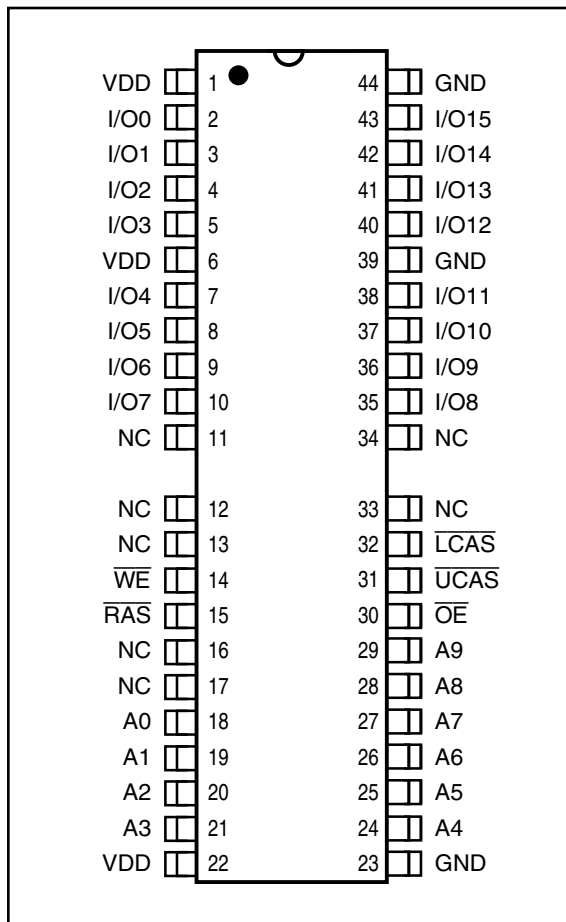
Copyright © 2012 Integrated Silicon Solution, Inc. All rights reserved. ISSI reserves the right to make changes to this specification and its products at any time without notice. ISSI assumes no liability arising out of the application or use of any information, products or services described herein. Customers are advised to obtain the latest version of this device specification before relying on any published information and before placing orders for products.

Integrated Silicon Solution, Inc. does not recommend the use of any of its products in life support applications where the failure or malfunction of the product can reasonably be expected to cause failure of the life support system or to significantly affect its safety or effectiveness. Products are not authorized for use in such applications unless Integrated Silicon Solution, Inc. receives written assurance to its satisfaction, that:

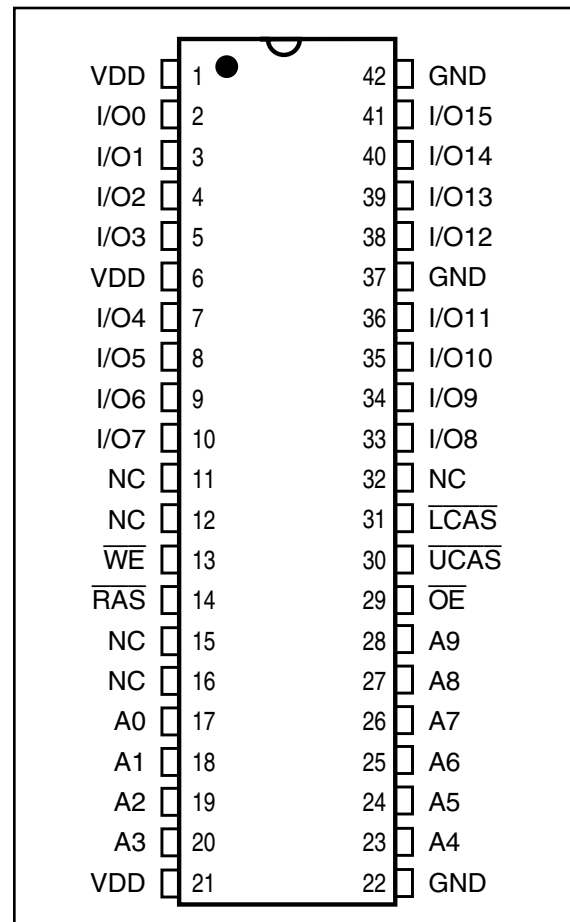
- a.) the risk of injury or damage has been minimized;
- b.) the user assume all such risks; and
- c.) potential liability of Integrated Silicon Solution, Inc is adequately protected under the circumstances

PIN CONFIGURATIONS

50(44)-Pin TSOP (Type II)



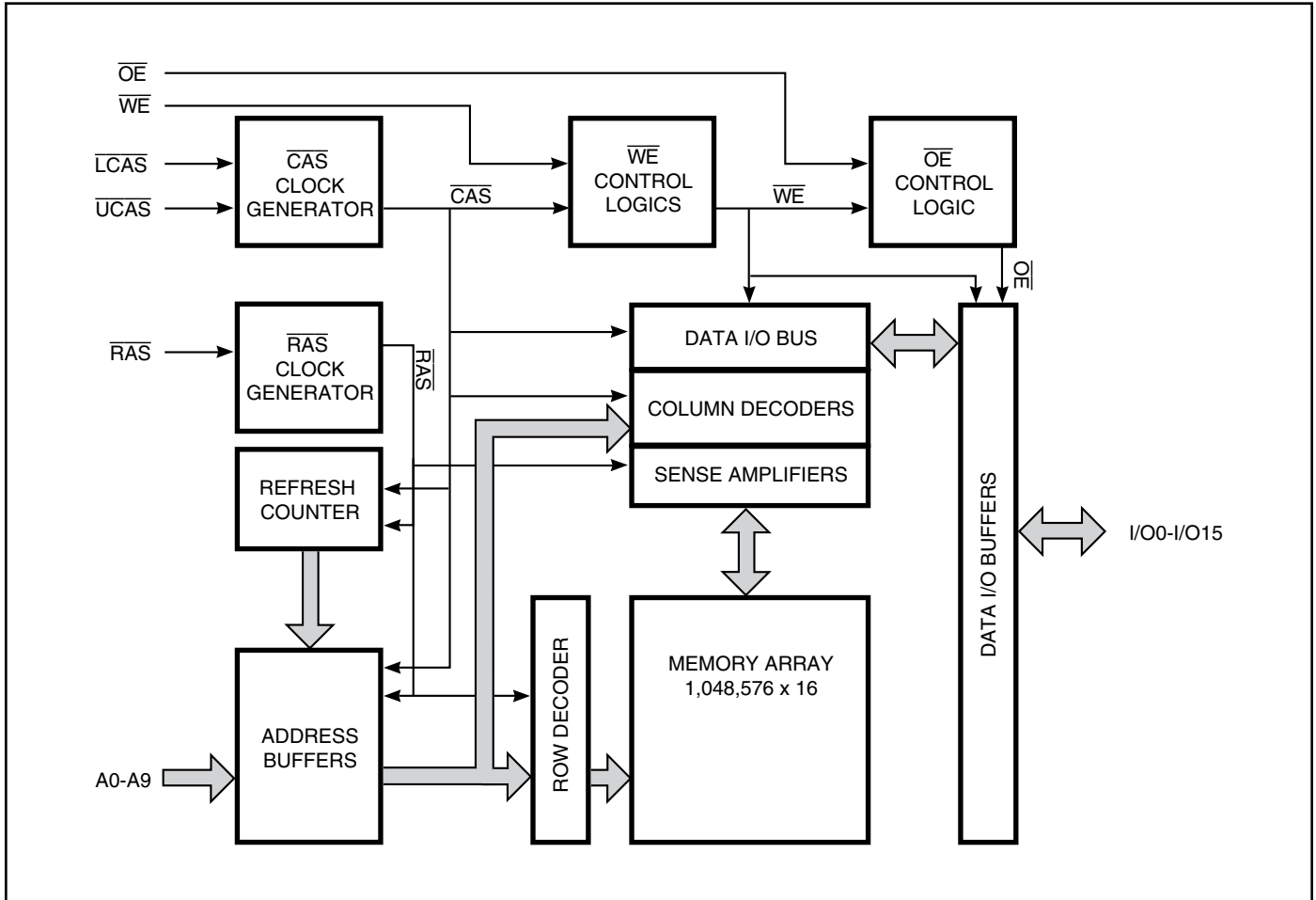
42-Pin SOJ



PIN DESCRIPTIONS

| | |
|---------|-----------------------------|
| A0-A9 | Address Inputs |
| I/O0-15 | Data Inputs/Outputs |
| WE | Write Enable |
| OE | Output Enable |
| RAS | Row Address Strobe |
| UCAS | Upper Column Address Strobe |
| LCAS | Lower Column Address Strobe |
| VDD | Power |
| GND | Ground |
| NC | No Connection |

FUNCTIONAL BLOCK DIAGRAM



TRUTH TABLE⁽⁵⁾

| Function | $\overline{\text{RAS}}$ | $\overline{\text{LCAS}}$ | $\overline{\text{UCAS}}$ | $\overline{\text{WE}}$ | $\overline{\text{OE}}$ | Address $t_{\text{R}}/t_{\text{C}}$ | I/O | |
|--|-------------------------|--------------------------|--------------------------|------------------------|------------------------|-------------------------------------|--|-----------|
| Standby | H | X | X | X | X | X | High-Z | |
| Read: Word | L | L | L | H | L | ROW/COL | DOUT | |
| Read: Lower Byte | L | L | H | H | L | ROW/COL | Lower Byte, DOUT Upper Byte, High-Z | |
| Read: Upper Byte | L | H | L | H | L | ROW/COL | Lower Byte, High-Z Upper Byte, DOUT | |
| Write: Word (Early Write) | L | L | L | L | X | ROW/COL | DIN | |
| Write: Lower Byte (Early Write) | L | L | H | L | X | ROW/COL | Lower Byte, DIN Upper Byte, High-Z | |
| Write: Upper Byte (Early Write) | L | H | L | L | X | ROW/COL | Lower Byte, High-Z Upper Byte, DIN | |
| Read-Write ^(1,2) | L | L | L | H→L | L→H | ROW/COL | DOUT, DIN | |
| EDO Page-Mode Read ⁽²⁾ | 1st Cycle: | L | H→L | H→L | H | L | ROW/COL | DOUT |
| | 2nd Cycle: | L | H→L | H→L | H | L | NA/COL | DOUT |
| | Any Cycle: | L | L→H | L→H | H | L | NA/NA | DOUT |
| EDO Page-Mode Write ⁽¹⁾ | 1st Cycle: | L | H→L | H→L | L | X | ROW/COL | DIN |
| | 2nd Cycle: | L | H→L | H→L | L | X | NA/COL | DIN |
| EDO Page-Mode ^(1,2) Read-Write | 1st Cycle: | L | H→L | H→L | H→L | L→H | ROW/COL | DOUT, DIN |
| | 2nd Cycle: | L | H→L | H→L | H→L | L→H | NA/COL | DOUT, DIN |
| Hidden Refresh | Read ⁽²⁾ | L→H→L | L | L | H | L | ROW/COL | DOUT |
| | Write ^(1,3) | L→H→L | L | L | L | X | ROW/COL | DOUT |
| $\overline{\text{RAS}}$ -Only Refresh | L | H | H | X | X | ROW/NA | High-Z | |
| CBR Refresh ⁽⁴⁾ | H→L | L | L | H | X | X | High-Z | |

Notes:

1. These WRITE cycles may also be BYTE WRITE cycles (either $\overline{\text{LCAS}}$ or $\overline{\text{UCAS}}$ active).
2. These READ cycles may also be BYTE READ cycles (either $\overline{\text{LCAS}}$ or $\overline{\text{UCAS}}$ active).
3. EARLY WRITE only.
4. At least one of the two $\overline{\text{CAS}}$ signals must be active ($\overline{\text{LCAS}}$ or $\overline{\text{UCAS}}$).
5. Commands valid only after proper initialization.

Functional Description

The IS41C/41LV16100C is a CMOS DRAM optimized for high-speed bandwidth, low power applications. During READ or WRITE cycles, each bit is uniquely addressed through the 16 address bits. These are entered ten bits (A0-A9) at a time. The row address is latched by the Row Address Strobe ($\overline{\text{RAS}}$). The column address is latched by the Column Address Strobe ($\overline{\text{CAS}}$). $\overline{\text{RAS}}$ is used to latch the first nine bits and $\overline{\text{CAS}}$ is used to latch the latter nine bits.

The IS41C/41LV16100C has two $\overline{\text{CAS}}$ controls, $\overline{\text{LCAS}}$ and $\overline{\text{UCAS}}$. The $\overline{\text{LCAS}}$ and $\overline{\text{UCAS}}$ inputs internally generate a $\overline{\text{CAS}}$ signal functioning in an identical manner to the single $\overline{\text{CAS}}$ input on the other 1M x 16 DRAMs. The key difference is that each $\overline{\text{CAS}}$ controls its corresponding I/O tristate logic (in conjunction with $\overline{\text{OE}}$ and $\overline{\text{WE}}$ and $\overline{\text{RAS}}$). $\overline{\text{LCAS}}$ controls I/O0 through I/O7 and $\overline{\text{UCAS}}$ controls I/O8 through I/O15.

The IS41C/41LV16100C $\overline{\text{CAS}}$ function is determined by the first $\overline{\text{CAS}}$ ($\overline{\text{LCAS}}$ or $\overline{\text{UCAS}}$) transitioning LOW and the last transitioning back HIGH. The two $\overline{\text{CAS}}$ controls give the IS41C16100C and IS41LV16100C both BYTE READ and BYTE WRITE cycle capabilities.

Memory Cycle

A memory cycle is initiated by bringing $\overline{\text{RAS}}$ LOW and it is terminated by returning both $\overline{\text{RAS}}$ and $\overline{\text{CAS}}$ HIGH. To ensure proper device operation and data integrity any memory cycle, once initiated, must not be ended or aborted before the minimum t_{RAS} time has expired. A new cycle must not be initiated until the minimum precharge time t_{RP} , t_{CP} has elapsed.

Read Cycle

A read cycle is initiated by the falling edge of $\overline{\text{CAS}}$ or $\overline{\text{OE}}$, whichever occurs last, while holding $\overline{\text{WE}}$ HIGH. The column address must be held for a minimum time specified by t_{AR} . Data Out becomes valid only when t_{RAC} , t_{AA} , t_{CAC} and t_{OEA} are all satisfied. As a result, the access time is dependent on the timing relationships between these parameters.

Write Cycle

A write cycle is initiated by the falling edge of $\overline{\text{CAS}}$ and $\overline{\text{WE}}$, whichever occurs last. The input data must be valid at or before the falling edge of $\overline{\text{CAS}}$ or $\overline{\text{WE}}$, whichever occurs first.

Auto Refresh Cycle

To retain data, 1,024 refresh cycles are required in each 16 ms period. There are two ways to refresh the memory.

1. By clocking each of the 1,024 row addresses (A0 through A9) with $\overline{\text{RAS}}$ at least once every $t_{\text{REF max}}$. Any read, write, read-modify-write or $\overline{\text{RAS}}$ -only cycle refreshes the addressed row.
2. Using a $\overline{\text{CAS}}$ -before- $\overline{\text{RAS}}$ refresh cycle. $\overline{\text{CAS}}$ -before- $\overline{\text{RAS}}$ refresh is activated by the falling edge of $\overline{\text{RAS}}$, while holding $\overline{\text{CAS}}$ LOW. In $\overline{\text{CAS}}$ -before- $\overline{\text{RAS}}$ refresh cycle,

an internal 9-bit counter provides the row addresses and the external address inputs are ignored.

$\overline{\text{CAS}}$ -before- $\overline{\text{RAS}}$ is a refresh-only mode and no data access or device selection is allowed. Thus, the output remains in the High-Z state during the cycle.

Self Refresh Cycle

The Self Refresh allows the user a dynamic refresh, data retention mode at the extended refresh period of 128 ms. i.e., 125 μs per row when using distributed CBR refreshes. The feature also allows the user the choice of a fully static, low power data retention mode. The optional Self Refresh feature is initiated by performing a CBR Refresh cycle and holding $\overline{\text{RAS}}$ LOW for the specified t_{RAS} .

The Self Refresh mode is terminated by driving $\overline{\text{RAS}}$ HIGH for a minimum time of t_{RP} . This delay allows for the completion of any internal refresh cycles that may be in process at the time of the $\overline{\text{RAS}}$ LOW-to-HIGH transition. If the DRAM controller uses a distributed refresh sequence, a burst refresh is not required upon exiting Self Refresh.

However, if the DRAM controller utilizes a $\overline{\text{RAS}}$ -only or burst refresh sequence, all 1,024 rows must be refreshed within the average internal refresh rate, prior to the resumption of normal operation.

Extended Data Out Page Mode

EDO page mode operation permits all 1,024 columns within a selected row to be randomly accessed at a high data rate.

In EDO page mode read cycle, the data-out is held to the next $\overline{\text{CAS}}$ cycle's falling edge, instead of the rising edge. For this reason, the valid data output time in EDO page mode is extended compared with the fast page mode. In the fast page mode, the valid data output time becomes shorter as the $\overline{\text{CAS}}$ cycle time becomes shorter. Therefore, in EDO page mode, the timing margin in read cycle is larger than that of the fast page mode even if the $\overline{\text{CAS}}$ cycle time becomes shorter.

In EDO page mode, due to the extended data function, the $\overline{\text{CAS}}$ cycle time can be shorter than in the fast page mode if the timing margin is the same.

The EDO page mode allows both read and write operations during one $\overline{\text{RAS}}$ cycle, but the performance is equivalent to that of the fast page mode in that case.

Power-On

During Power-On, $\overline{\text{RAS}}$, $\overline{\text{UCAS}}$, $\overline{\text{LCAS}}$, and $\overline{\text{WE}}$ must all track with V_{DD} (HIGH) to avoid current surges, and allow initialization to continue. An initial pause of 200 μs is required followed by a minimum of eight initialization cycles (any combination of cycles containing a $\overline{\text{RAS}}$ signal).

ABSOLUTE MAXIMUM RATINGS⁽¹⁾

| Symbol | Parameters | Rating | Unit | |
|------------------|------------------------------------|-------------|--------------|---|
| V _T | Voltage on Any Pin Relative to GND | 5V | -1.0 to +7.0 | V |
| | | 3.3V | -0.5 to +4.6 | |
| V _{DD} | Supply Voltage | 5V | -1.0 to +7.0 | V |
| | | 3.3V | -0.5 to +4.6 | |
| I _{OUT} | Output Current | 50 | mA | |
| P _D | Power Dissipation | 1 | W | |
| T _A | Industrial Operation Temperature | -40 to +85 | °C | |
| T _{STG} | Storage Temperature | -55 to +125 | °C | |

Note:

1. Stress greater than those listed under ABSOLUTE MAXIMUM RATINGS may cause permanent damage to the device. This is a stress rating only and functional operation of the device at these or any other conditions above those indicated in the operational sections of this specification is not implied. Exposure to absolute maximum rating conditions for extended periods may affect reliability.

RECOMMENDED OPERATING CONDITIONS

(At T_A = -40°C to +85°C for Industrial grade. Voltages are referenced to GND.)

| Symbol | Parameter | Test Condition | Min. | Typ. | Max. | Unit | |
|-----------------|---------------------------|--|------|------|------|-----------------------|---|
| V _{DD} | Supply Voltage | | 5V | 4.5 | 5.0 | 5.5 | V |
| | | | 3.3V | 3.0 | 3.3 | 3.6 | |
| V _{IH} | Input High Voltage | | 5V | 2.4 | — | V _{DD} + 1.0 | V |
| | | | 3.3V | 2.0 | — | V _{DD} + 0.3 | |
| V _{IL} | Input Low Voltage | | 5V | -1.0 | — | 0.8 | V |
| | | | 3.3V | -0.3 | — | 0.8 | |
| I _{IL} | Input Leakage Current | Any input 0V ≤ V _{IN} ≤ V _{DD} Other inputs not under test = 0V | -5 | | 5 | μA | |
| I _{IO} | Output Leakage Current | Output is disabled (Hi-Z) 0V ≤ V _{OUT} ≤ V _{DD} | -5 | | 5 | μA | |
| V _{OH} | Output High Voltage Level | I _{OH} = -5.0 mA | 5V | 2.4 | — | V | |
| | | I _{OH} = -2.0 mA | 3.3V | 2.4 | — | | |
| V _{OL} | Output Low Voltage Level | I _{OL} = 4.2 mA | 5V | — | 0.4 | V | |
| | | I _{OL} = 2.0 mA | 3.3V | — | 0.4 | | |

CAPACITANCE^(1,2)

| Symbol | Parameter | Max. | Unit |
|------------------|--|------|------|
| C _{IN1} | Input Capacitance: A0-A9 | 5 | pF |
| C _{IN2} | Input Capacitance: $\overline{\text{RAS}}$, $\overline{\text{UCAS}}$, $\overline{\text{LCAS}}$, $\overline{\text{WE}}$, $\overline{\text{OE}}$ | 7 | pF |
| C _{IO} | Data Input/Output Capacitance: I/O0-I/O15 | 7 | pF |

Notes:

1. Tested initially and after any design or process changes that may affect these parameters.
2. Test conditions: T_A = 25°C, f = 1 MHz.

ELECTRICAL CHARACTERISTICS⁽¹⁾

(Recommended Operating Conditions unless otherwise noted.)

| Symbol | Parameter | Test Condition | V _{DD} | Min. | Max. | Unit |
|------------------|--|---|-----------------|------|------|------|
| I _{DD1} | Standby Current: TTL | $\overline{\text{RAS}}, \overline{\text{LCAS}}, \overline{\text{UCAS}} \geq V_{\text{IH}}$ | 5V | — | 2 | mA |
| | | | 3.3V | — | 2 | mA |
| I _{DD2} | Standby Current: CMOS | $\overline{\text{RAS}}, \overline{\text{LCAS}}, \overline{\text{UCAS}} \geq V_{\text{DD}} - 0.2\text{V}$ | 5V | — | 1 | mA |
| | | | 3.3V | — | 1 | mA |
| I _{DD3} | Operating Current: Random Read/Write ^(2,3,4) Average Power Supply Current | $\overline{\text{RAS}}, \overline{\text{LCAS}}, \overline{\text{UCAS}},$ Address Cycling, $t_{\text{RC}} = t_{\text{RC}} (\text{min.})$ | 5V | — | 90 | mA |
| | | | 3.3V | — | 90 | |
| I _{DD4} | Operating Current: EDO Page Mode ^(2,3,4) Average Power Supply Current | $\overline{\text{RAS}} = V_{\text{IL}}, \overline{\text{LCAS}}, \overline{\text{UCAS}},$ Cycling $t_{\text{PC}} = t_{\text{PC}} (\text{min.})$ | 5V | — | 30 | mA |
| | | | 3.3V | — | 30 | |
| I _{DD5} | Refresh Current: $\overline{\text{RAS}}$ -Only ^(2,3) Average Power Supply Current | $\overline{\text{RAS}}$ Cycling, $\overline{\text{LCAS}}, \overline{\text{UCAS}} \geq V_{\text{IH}}$ $t_{\text{RC}} = t_{\text{RC}} (\text{min.})$ | 5V | — | 60 | mA |
| | | | 3.3V | — | 60 | |
| I _{DD6} | Refresh Current: CBR ^(2,3,5) Average Power Supply Current | $\overline{\text{RAS}}, \overline{\text{LCAS}}, \overline{\text{UCAS}}$ Cycling $t_{\text{RC}} = t_{\text{RC}} (\text{min.})$ | 5V | — | 60 | mA |
| | | | 3.3V | — | 60 | |

Notes:

1. An initial pause of 200 μs is required after power-up followed by eight $\overline{\text{RAS}}$ refresh cycles ($\overline{\text{RAS}}$ -Only or CBR) before proper device operation is assured. The eight $\overline{\text{RAS}}$ cycles wake-up should be repeated any time the t_{REF} refresh requirement is exceeded.
2. Dependent on cycle rates.
3. Specified values are obtained with minimum cycle time and the output open.
4. Column-address is changed once each EDO page cycle.
5. Enables on-chip refresh and address counters.

AC CHARACTERISTICS^(1,2,3,4,5,6)

(Recommended Operating Conditions unless otherwise noted.)

| Symbol | Parameter | -50 | | -60 | | Units |
|----------------------|--|------|------|------|------|-------|
| | | Min. | Max. | Min. | Max. | |
| t _{RC} | Random READ or WRITE Cycle Time | 85 | — | 110 | — | ns |
| t _{RAC} | Access Time from $\overline{\text{RAS}}$ ^(6, 7) | — | 50 | — | 60 | ns |
| t _{CAC} | Access Time from $\overline{\text{CAS}}$ ^(6, 8, 15) | — | 14 | — | 15 | ns |
| t _{AA} | Access Time from Column-Address ⁽⁶⁾ | — | 25 | — | 30 | ns |
| t _{TRAS} | $\overline{\text{RAS}}$ Pulse Width | 50 | 10K | 60 | 10K | ns |
| t _{RP} | $\overline{\text{RAS}}$ Precharge Time | 30 | — | 40 | — | ns |
| t _{CAS} | $\overline{\text{CAS}}$ Pulse Width ⁽²⁶⁾ | 8 | 10K | 10 | 10K | ns |
| t _{CP} | $\overline{\text{CAS}}$ Precharge Time ^(9, 25) | 9 | — | 10 | — | ns |
| t _{CSH} | $\overline{\text{CAS}}$ Hold Time ⁽²¹⁾ | 50 | — | 60 | — | ns |
| t _{RCD} | $\overline{\text{RAS}}$ to $\overline{\text{CAS}}$ Delay Time ^(10, 20) | 12 | 37 | 20 | 45 | ns |
| t _{ASR} | Row-Address Setup Time | 0 | — | 0 | — | ns |
| t _{RAH} | Row-Address Hold Time | 8 | — | 10 | — | ns |
| t _{ASC} | Column-Address Setup Time ⁽²⁰⁾ | 0 | — | 0 | — | ns |
| t _{CAH} | Column-Address Hold Time ⁽²⁰⁾ | 8 | — | 10 | — | ns |
| t _{AR} | Column-Address Hold Time (referenced to $\overline{\text{RAS}}$) | 30 | — | 40 | — | ns |
| t _{RAD} | $\overline{\text{RAS}}$ to Column-Address Delay Time ⁽¹¹⁾ | 14 | 25 | 15 | 30 | ns |
| t _{RAL} | Column-Address to $\overline{\text{RAS}}$ Lead Time | 25 | — | 30 | — | ns |
| t _{RPC} | $\overline{\text{RAS}}$ to $\overline{\text{CAS}}$ Precharge Time | 5 | — | 5 | — | ns |
| t _{RSH} | $\overline{\text{RAS}}$ Hold Time ⁽²⁷⁾ | 14 | — | 15 | — | ns |
| t _{RHCP} | $\overline{\text{RAS}}$ Hold Time from $\overline{\text{CAS}}$ Precharge | 37 | — | 37 | — | ns |
| t _{CLZ} | $\overline{\text{CAS}}$ to Output in Low-Z ^(15, 29) | 0 | — | 0 | — | ns |
| t _{CRP} | $\overline{\text{CAS}}$ to $\overline{\text{RAS}}$ Precharge Time ⁽²¹⁾ | 5 | — | 5 | — | ns |
| t _{OD} | Output Disable Time ^(19, 28, 29) | 3 | 12 | 3 | 12 | ns |
| t _{OE/TOEA} | Output Enable Time ^(15, 16) | — | 14 | — | 15 | ns |
| t _{OEHC} | $\overline{\text{OE}}$ HIGH Hold Time from $\overline{\text{CAS}}$ HIGH | 15 | — | 15 | — | ns |
| t _{OE P} | $\overline{\text{OE}}$ HIGH Pulse Width | 10 | — | 10 | — | ns |
| t _{OES} | $\overline{\text{OE}}$ LOW to $\overline{\text{CAS}}$ HIGH Setup Time | 5 | — | 5 | — | ns |
| t _{RCS} | Read Command Setup Time ^(17, 20) | 0 | — | 0 | — | ns |
| t _{RRH} | Read Command Hold Time (referenced to $\overline{\text{RAS}}$) ⁽¹²⁾ | 0 | — | 0 | — | ns |
| t _{RCH} | Read Command Hold Time (referenced to $\overline{\text{CAS}}$) ^(12, 17, 21) | 0 | — | 0 | — | ns |
| t _{WCH} | Write Command Hold Time ^(17, 27) | 8 | — | 10 | — | ns |
| t _{WCR} | Write Command Hold Time (referenced to $\overline{\text{RAS}}$) ⁽¹⁷⁾ | 40 | — | 50 | — | ns |

AC CHARACTERISTICS (Continued)^(1,2,3,4,5,6)

(Recommended Operating Conditions unless otherwise noted.)

| Symbol | Parameter | -50 | | -60 | | Units |
|--------|--|------|------|------|------|-------|
| | | Min. | Max. | Min. | Max. | |
| tWP | Write Command Pulse Width ⁽¹⁷⁾ | 8 | — | 10 | — | ns |
| tWPZ | \overline{WE} Pulse Widths to Disable Outputs | 10 | — | 10 | — | ns |
| trWL | Write Command to \overline{RAS} Lead Time ⁽¹⁷⁾ | 13 | — | 15 | — | ns |
| tcWL | Write Command to \overline{CAS} Lead Time ^(17, 21) | 8 | — | 15 | — | ns |
| twCS | Write Command Setup Time ^(14, 17, 20) | 0 | — | 0 | — | ns |
| tdHR | Data-in Hold Time (referenced to \overline{RAS}) | 39 | — | 40 | — | ns |
| tACH | Column-Address Setup Time to \overline{CAS} precharge during WRITE cycle | 15 | — | 15 | — | ns |
| toEH | \overline{OE} Hold Time from \overline{WE} during READ-MODIFY-WRITE cycle ⁽¹⁸⁾ | 14 | — | 15 | — | ns |
| tDS | Data-In Setup Time ^(15, 22) | 0 | — | 0 | — | ns |
| tdH | Data-In Hold Time ^(15, 22) | 8 | — | 15 | — | ns |
| trWC | READ-MODIFY-WRITE Cycle Time | 110 | — | 155 | — | ns |
| trWD | \overline{RAS} to \overline{WE} Delay Time during READ-MODIFY-WRITE Cycle ⁽¹⁴⁾ | 65 | — | 85 | — | ns |
| tcWD | \overline{CAS} to \overline{WE} Delay Time ^(14, 20) | 26 | — | 40 | — | ns |
| tAWD | Column-Address to \overline{WE} Delay Time ⁽¹⁴⁾ | 40 | — | 55 | — | ns |
| tPC | EDO Page Mode READ or WRITE Cycle Time ⁽²⁴⁾ | 30 | — | 40 | — | ns |
| trASP | \overline{RAS} Pulse Width in EDO Page Mode | 50 | 100K | 60 | 100K | ns |
| tCPA | Access Time from \overline{CAS} Precharge ⁽¹⁵⁾ | — | 30 | — | 35 | ns |
| tPRWC | EDO Page Mode READ-WRITE Cycle Time ⁽²⁴⁾ | 56 | — | 56 | — | ns |
| tCOH | Data Output Hold after \overline{CAS} LOW | 5 | — | 5 | — | ns |
| tOFF | Output Buffer Turn-Off Delay from \overline{CAS} or \overline{RAS} ^(13,15,19, 29) | 3 | 12 | 3 | 15 | ns |
| tWHZ | Output Disable Delay from \overline{WE} | 3 | 10 | 3 | 15 | ns |
| tCLCH | Last \overline{CAS} going LOW to First \overline{CAS} returning HIGH ⁽²³⁾ | 10 | — | 10 | — | ns |
| tCSR | \overline{CAS} Setup Time (CBR REFRESH) ^(30, 20) | 5 | — | 5 | — | ns |
| tCHR | \overline{CAS} Hold Time (CBR REFRESH) ^(30, 21) | 8 | — | 10 | — | ns |
| tORD | \overline{OE} Setup Time prior to \overline{RAS} during HIDDEN REFRESH Cycle | 0 | — | 0 | — | ns |
| tWRP | \overline{WE} Setup Time (CBR Refresh) | 5 | — | 5 | — | ns |
| tWRH | \overline{WE} Hold Time (CBR Refresh) | 8 | — | 10 | — | ns |
| tREF | Auto Refresh Period (1,024 Cycles) | — | 16 | — | 16 | ms |
| tREF | Self Refresh Period (1,024 Cycles) | — | 128 | — | 128 | ms |
| tT | Transition Time (Rise or Fall) ^(2, 3) | 1 | 50 | 1 | 50 | ns |

Note:

The -60 timing parameters are shown for reference only. The -50 speed option supports 50ns and 60ns timing specifications.

AC TEST CONDITIONS

Output load: Two TTL Loads and 100 pF ($V_{DD} = 5.0V \pm 10\%$)
One TTL Load and 50 pF ($V_{DD} = 3.3V \pm 10\%$)

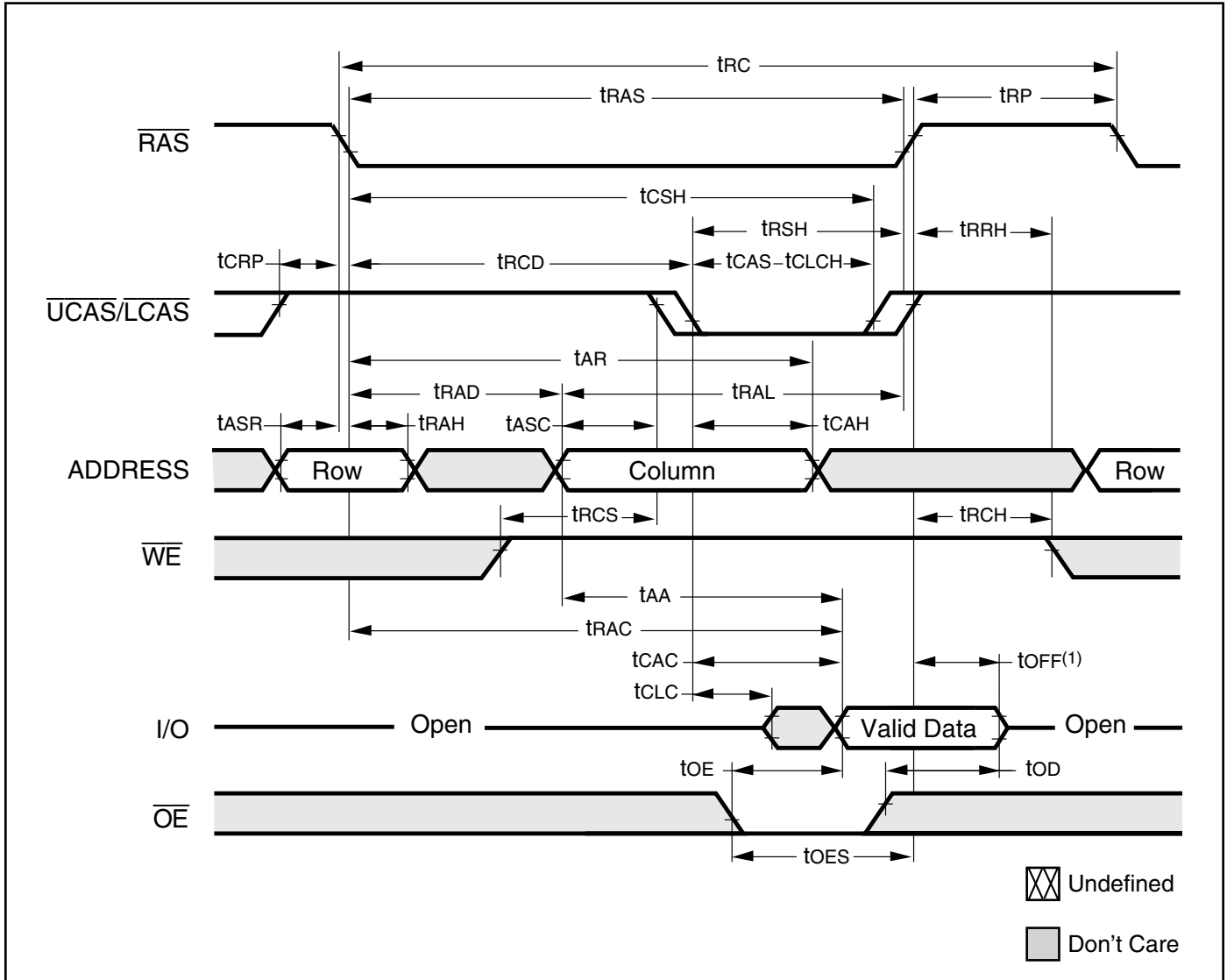
Input timing reference levels: $V_{IH} = 2.4V$, $V_{IL} = 0.8V$ ($V_{DD} = 5.0V \pm 10\%$);
 $V_{IH} = 2.0V$, $V_{IL} = 0.8V$ ($V_{DD} = 3.3V \pm 10\%$)

Output timing reference levels: $V_{OH} = 2.4V$, $V_{OL} = 0.4V$ ($V_{DD} = 5V \pm 10\%$, $3.3V \pm 10\%$)

Notes:

1. An initial pause of 200 μs is required after power-up followed by eight \overline{RAS} refresh cycle (\overline{RAS} -Only or CBR) before proper device operation is assured. The eight \overline{RAS} cycles wake-up should be repeated any time the t_{REF} refresh requirement is exceeded.
2. V_{IH} (MIN) and V_{IL} (MAX) are reference levels for measuring timing of input signals. Transition times, are measured between V_{IH} and V_{IL} (or between V_{IL} and V_{IH}) and assume to be 1 ns for all inputs.
3. In addition to meeting the transition rate specification, all input signals must transit between V_{IH} and V_{IL} (or between V_{IL} and V_{IH}) in a monotonic manner.
4. If \overline{CAS} and $\overline{RAS} = V_{IH}$, data output is High-Z.
5. If $\overline{CAS} = V_{IL}$, data output may contain data from the last valid READ cycle.
6. Measured with a load equivalent to one TTL gate and 50 pF.
7. Assumes that $t_{RCD} \leq t_{RCD} (MAX)$. If t_{RCD} is greater than the maximum recommended value shown in this table, t_{RAC} will increase by the amount that t_{RCD} exceeds the value shown.
8. Assumes that $t_{RCD} \leq t_{RCD} (MAX)$.
9. If \overline{CAS} is LOW at the falling edge of \overline{RAS} , data out will be maintained from the previous cycle. To initiate a new cycle and clear the data output buffer, \overline{CAS} and \overline{RAS} must be pulsed for t_{CP} .
10. Operation with the $t_{RCD} (MAX)$ limit ensures that $t_{RAC} (MAX)$ can be met. $t_{RCD} (MAX)$ is specified as a reference point only; if t_{RCD} is greater than the specified $t_{RCD} (MAX)$ limit, access time is controlled exclusively by t_{CAC} .
11. Operation within the $t_{RAD} (MAX)$ limit ensures that $t_{RCD} (MAX)$ can be met. $t_{RAD} (MAX)$ is specified as a reference point only; if t_{RAD} is greater than the specified $t_{RAD} (MAX)$ limit, access time is controlled exclusively by t_{AA} .
12. Either t_{RCH} or t_{RRH} must be satisfied for a READ cycle.
13. $t_{OFF} (MAX)$ defines the time at which the output achieves the open circuit condition; it is not a reference to V_{OH} or V_{OL} .
14. t_{WCS} , t_{RWD} , t_{AWD} and t_{CWD} are restrictive operating parameters in LATE WRITE and READ-MODIFY-WRITE cycle only. If $t_{WCS} \leq t_{WCS} (MIN)$, the cycle is an EARLY WRITE cycle and the data output will remain open circuit throughout the entire cycle. If $t_{RWD} \leq t_{RWD} (MIN)$, $t_{AWD} \leq t_{AWD} (MIN)$ and $t_{CWD} \leq t_{CWD} (MIN)$, the cycle is a READ-WRITE cycle and the data output will contain data read from the selected cell. If neither of the above conditions is met, the state of I/O (at access time and until \overline{CAS} and \overline{RAS} or \overline{OE} go back to V_{IH}) is indeterminate. \overline{OE} held HIGH and \overline{WE} taken LOW after \overline{CAS} goes LOW result in a LATE WRITE (\overline{OE} -controlled) cycle.
15. Output parameter (I/O) is referenced to corresponding \overline{CAS} input, I/O0-I/O7 by \overline{LCAS} and I/O8-I/O15 by \overline{UCAS} .
16. During a READ cycle, if \overline{OE} is LOW then taken HIGH before \overline{CAS} goes HIGH, I/O goes open. If \overline{OE} is tied permanently LOW, a LATE WRITE or READ-MODIFY-WRITE is not possible.
17. Write command is defined as \overline{WE} going low.
18. LATE WRITE and READ-MODIFY-WRITE cycles must have both t_{OD} and t_{OEH} met (\overline{OE} HIGH during WRITE cycle) in order to ensure that the output buffers will be open during the WRITE cycle. The I/Os will provide the previously written data if \overline{CAS} remains LOW and \overline{OE} is taken back to LOW after t_{OEH} is met.
19. The I/Os are in open during READ cycles once t_{OD} or t_{OFF} occur.
20. The first $\chi\overline{CAS}$ edge to transition LOW.
21. The last $\chi\overline{CAS}$ edge to transition HIGH.
22. These parameters are referenced to \overline{CAS} leading edge in EARLY WRITE cycles and \overline{WE} leading edge in LATE WRITE or READ-MODIFY-WRITE cycles.
23. Last falling $\chi\overline{CAS}$ edge to first rising $\chi\overline{CAS}$ edge.
24. Last rising $\chi\overline{CAS}$ edge to next cycle's last rising $\chi\overline{CAS}$ edge.
25. Last rising $\chi\overline{CAS}$ edge to first falling $\chi\overline{CAS}$ edge.
26. Each $\chi\overline{CAS}$ must meet minimum pulse width.
27. Last $\chi\overline{CAS}$ to go LOW.
28. I/Os controlled, regardless \overline{UCAS} and \overline{LCAS} .
29. The 3 ns minimum is a parameter guaranteed by design.
30. Enables on-chip refresh and address counters.

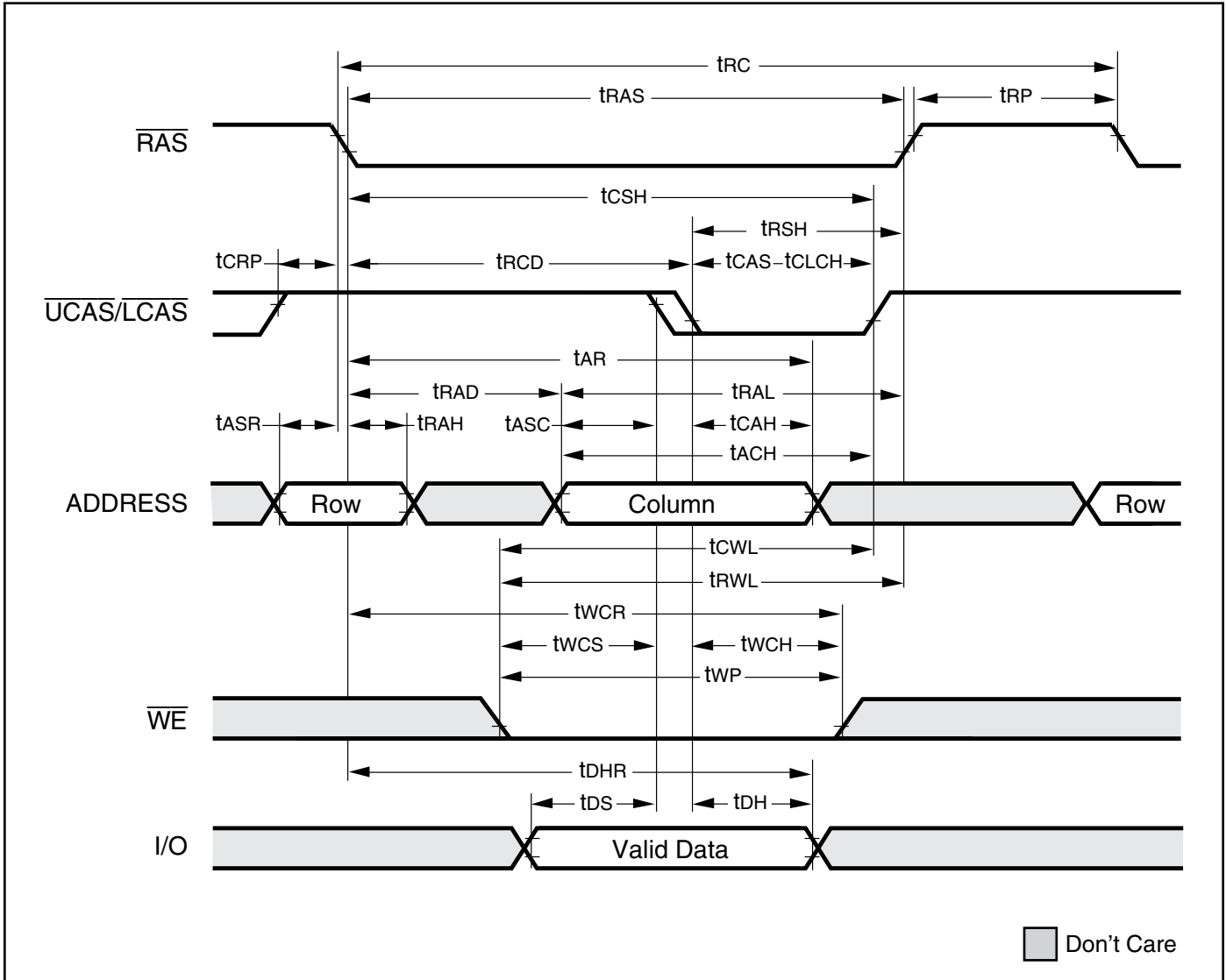
READ CYCLE



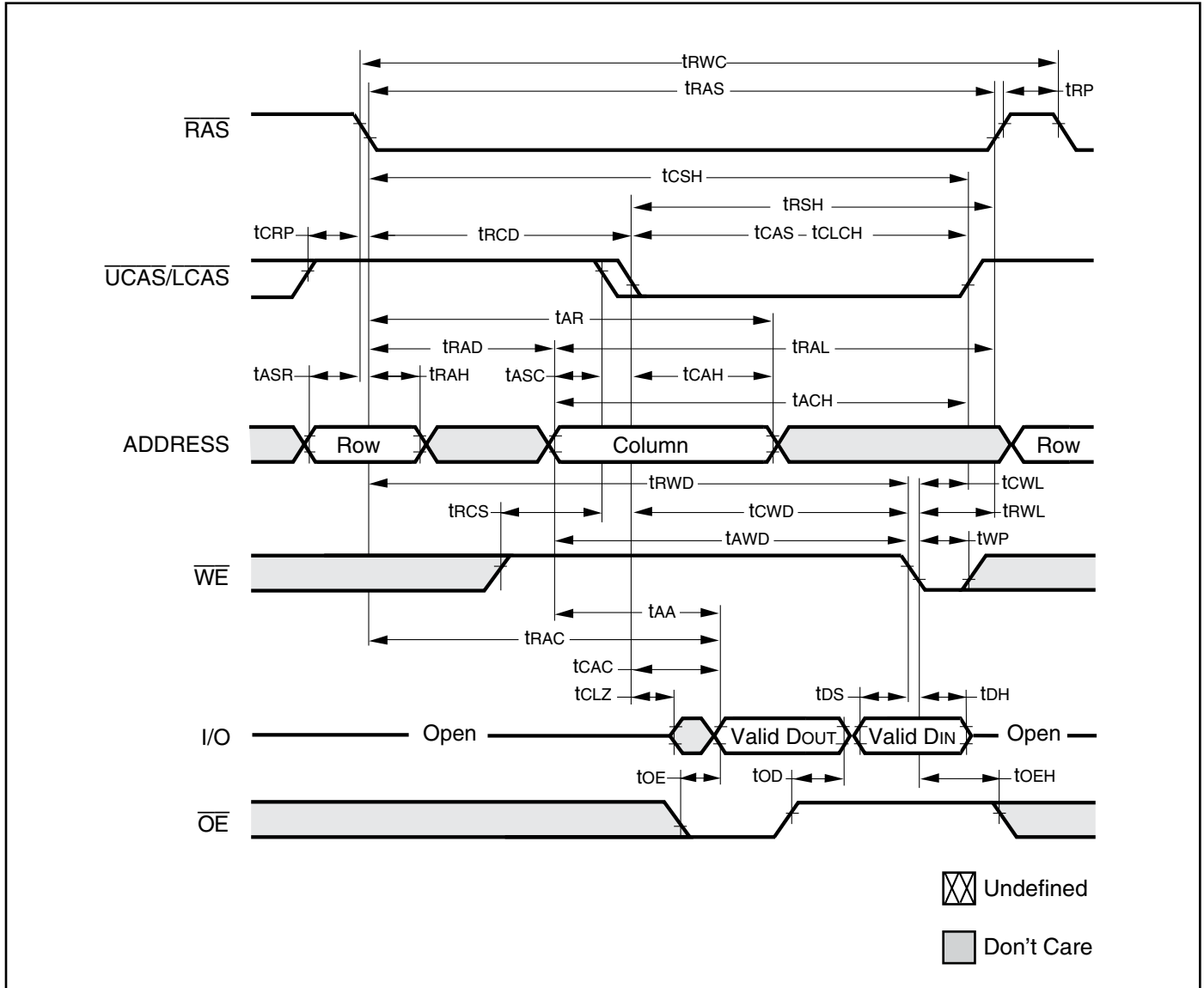
Note:

1. t_{OFF} is referenced from rising edge of \overline{RAS} or \overline{CAS} , whichever occurs last.

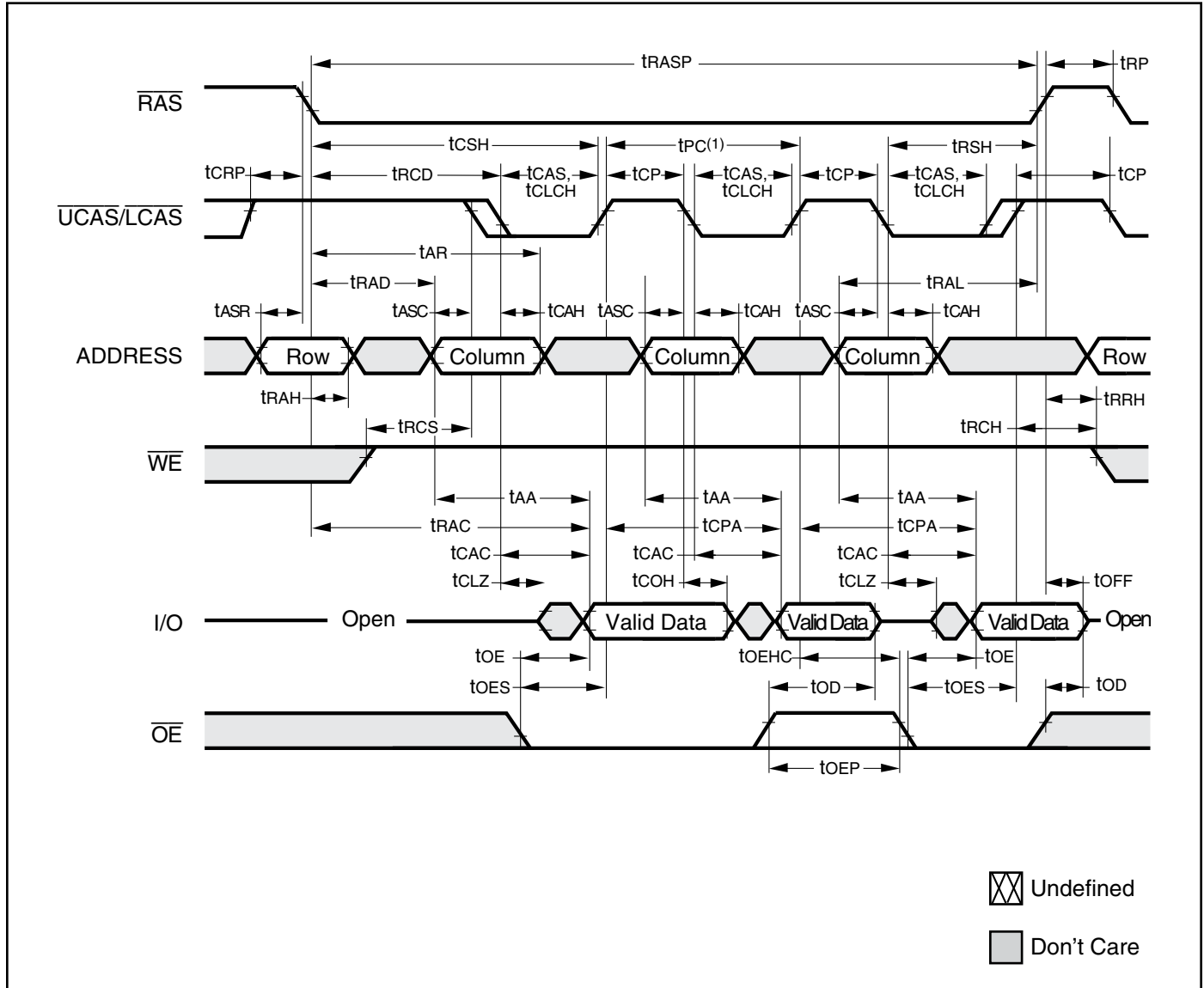
EARLY WRITE CYCLE (\overline{OE} = DON'T CARE)



READ WRITE CYCLE (LATE WRITE and READ-MODIFY-WRITE Cycles)



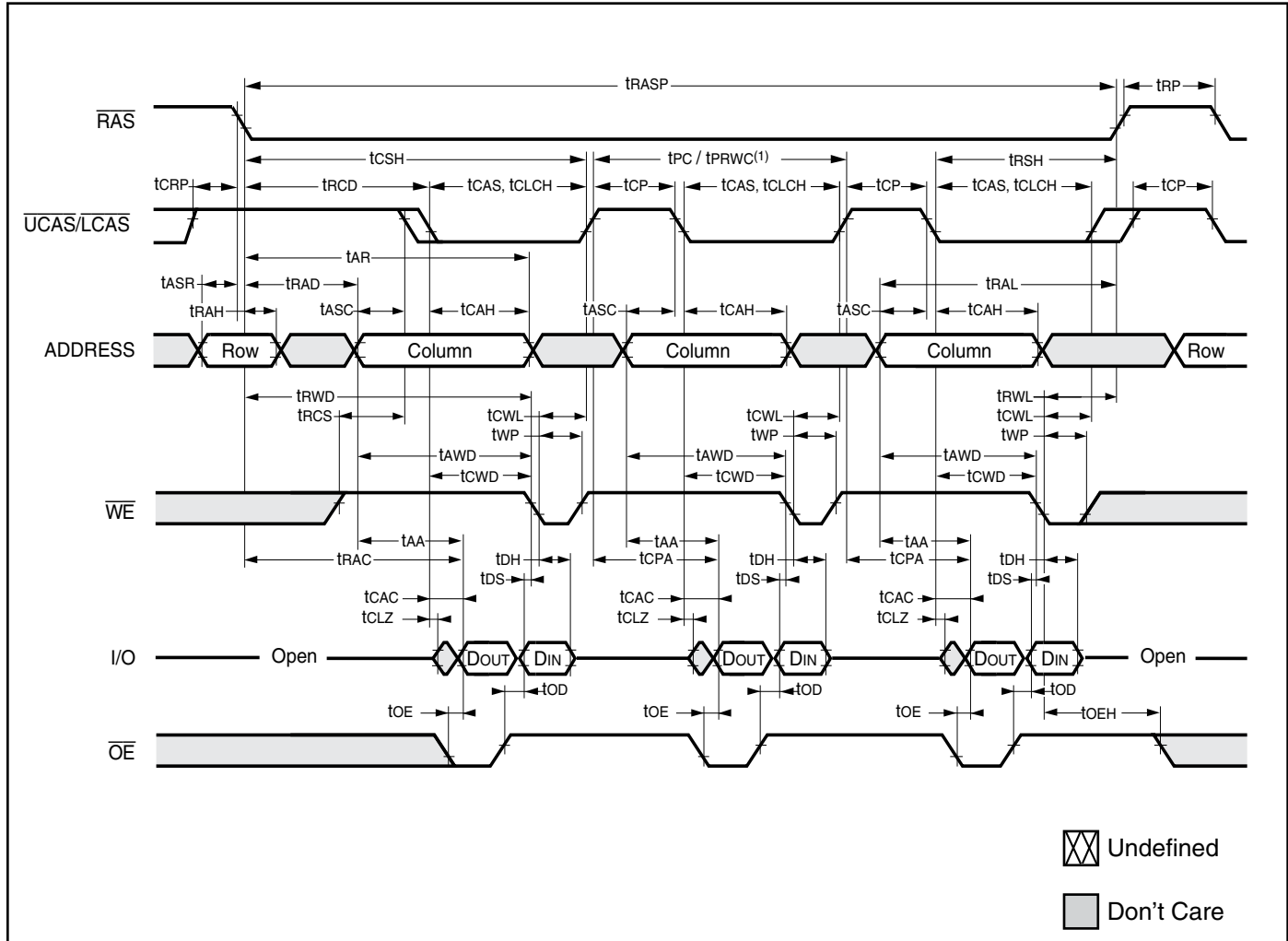
EDO-PAGE-MODE READ CYCLE



Note:

1. t_{PC} can be measured from falling edge of $\overline{\text{CAS}}$ to falling edge of $\overline{\text{CAS}}$, or from rising edge of $\overline{\text{CAS}}$ to rising edge of $\overline{\text{CAS}}$. Both measurements must meet the t_{PC} specifications.

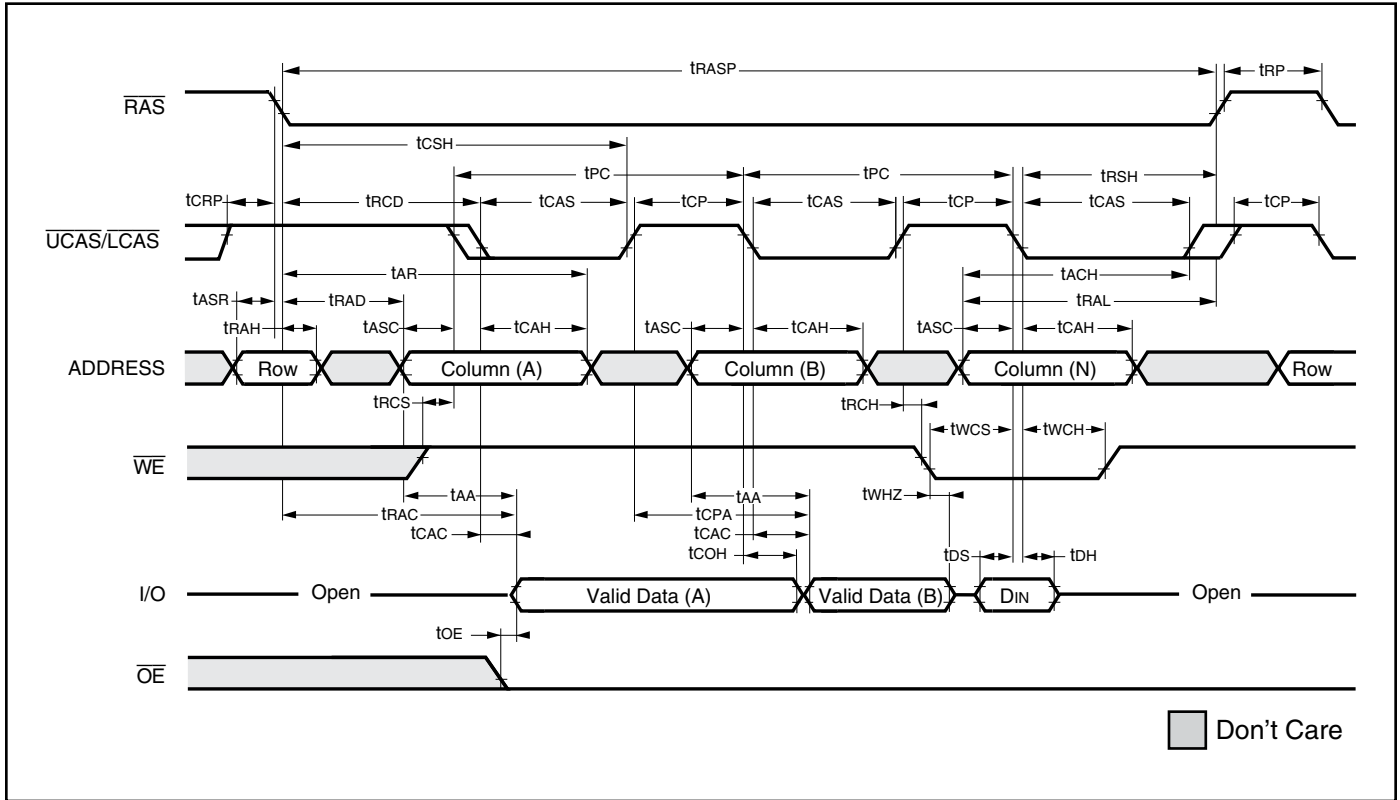
EDO-PAGE-MODE READ-WRITE CYCLE (LATE WRITE and READ-MODIFY WRITE Cycles)



Note:

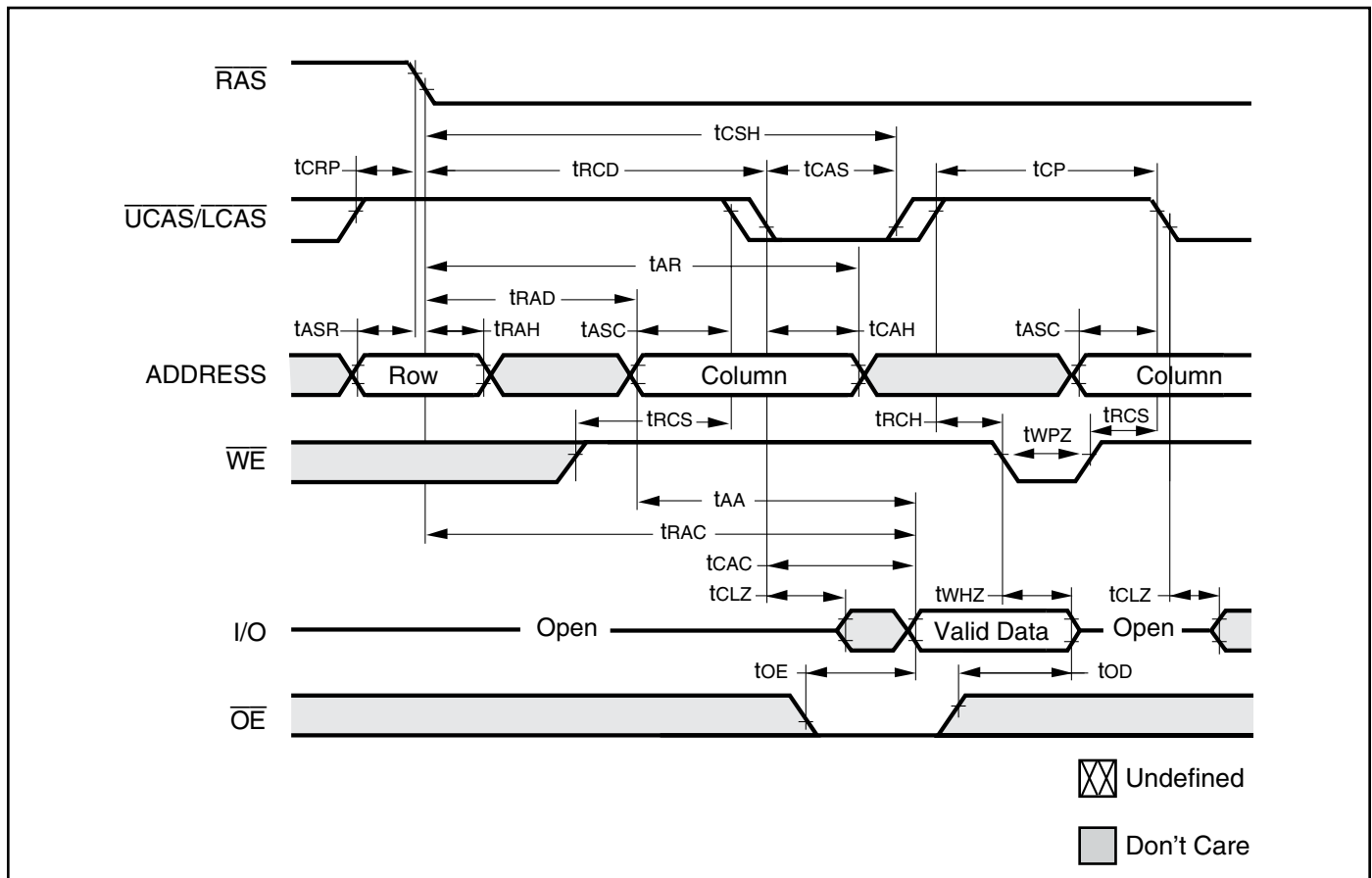
1. tpc can be measured from falling edge of $\overline{\text{CAS}}$ to falling edge of $\overline{\text{CAS}}$, or from rising edge of $\overline{\text{CAS}}$ to rising edge of $\overline{\text{CAS}}$. Both measurements must meet the tpc specifications.

EDO-PAGE-MODE READ-EARLY-WRITE CYCLE (Pseudo READ-MODIFY WRITE)

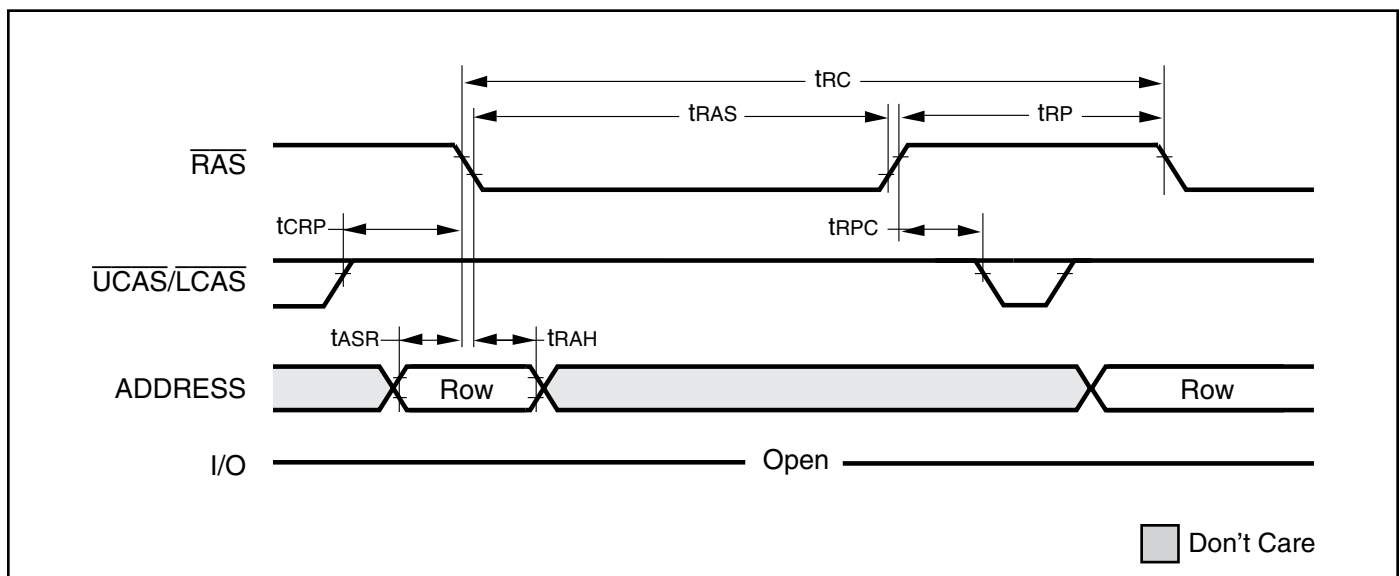


AC WAVEFORMS

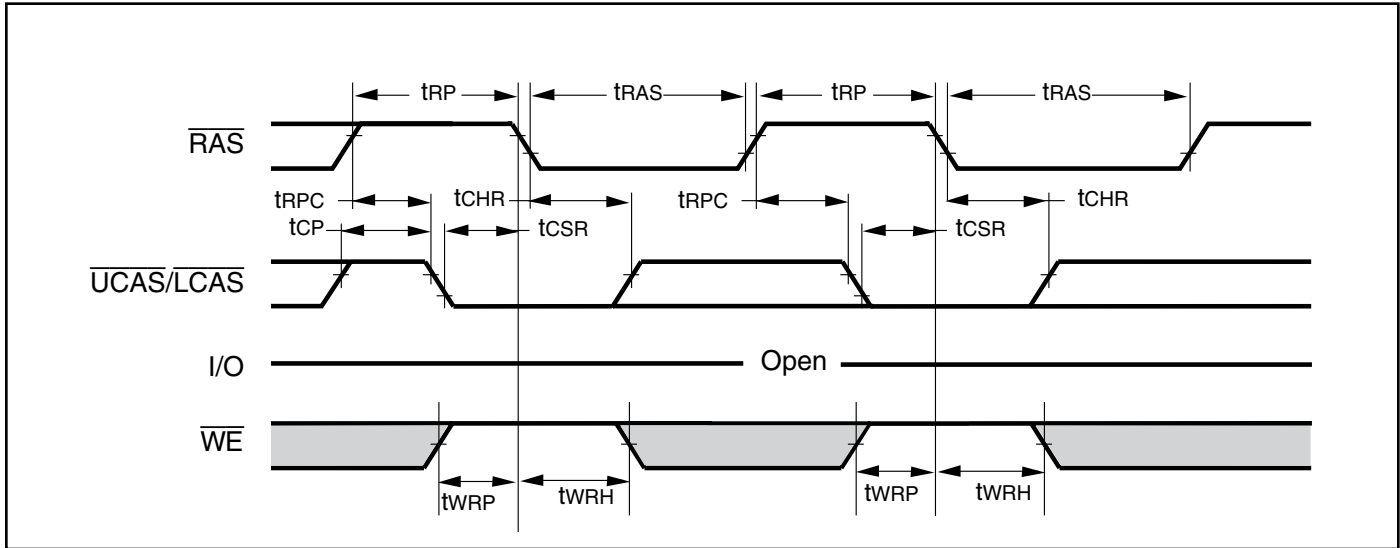
READ CYCLE (With \overline{WE} -Controlled Disable)



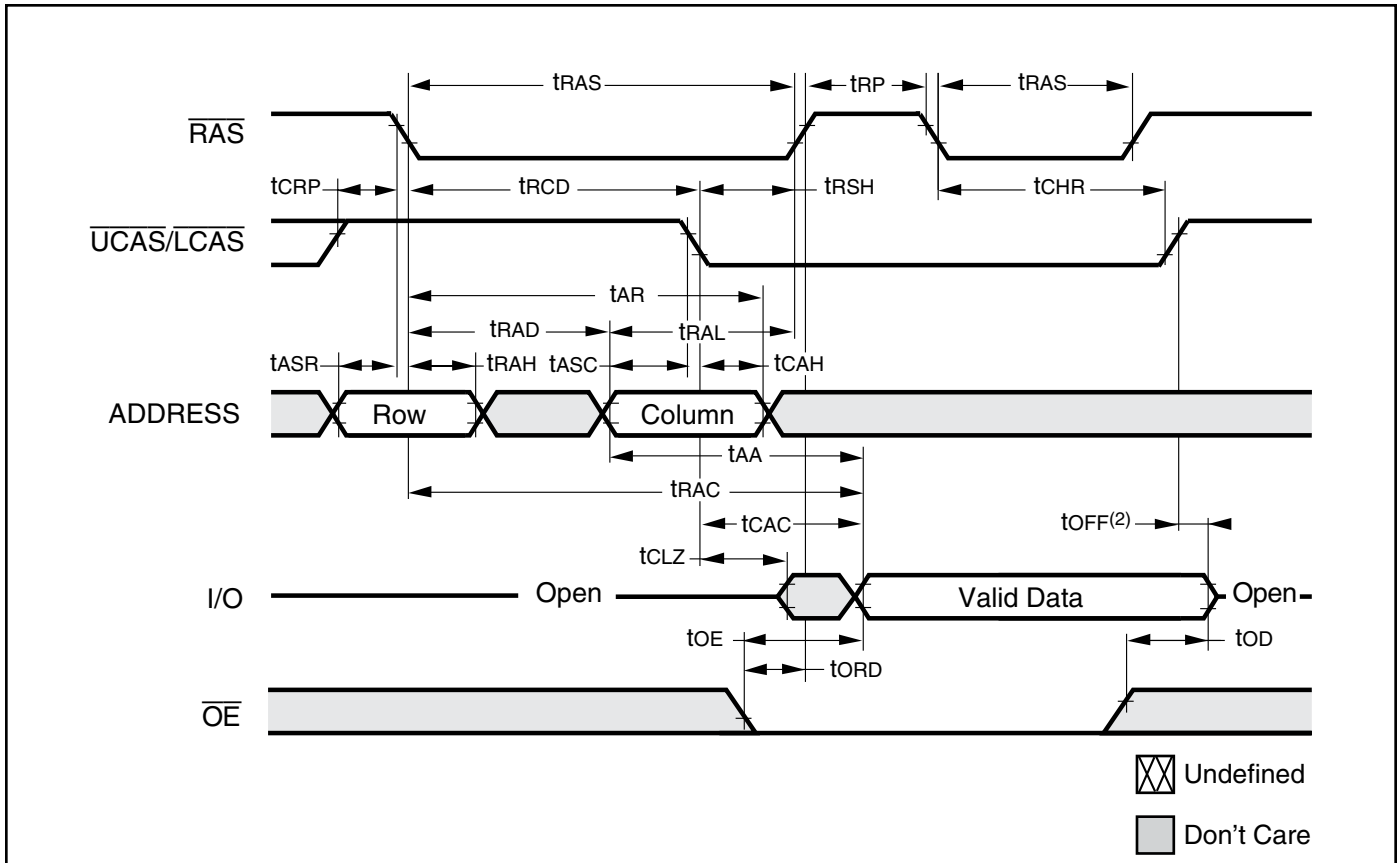
RAS-ONLY REFRESH CYCLE (\overline{OE} , \overline{WE} = DON'T CARE)



$\overline{\text{CBR}}$ REFRESH CYCLE (Addresses; $\overline{\text{OE}}$ = DON'T CARE)



HIDDEN REFRESH CYCLE⁽¹⁾ ($\overline{\text{WE}}$ = HIGH; $\overline{\text{OE}}$ = LOW)



Notes:

1. A Hidden Refresh may also be performed after a Write Cycle. In this case, $\overline{\text{WE}}$ = LOW and $\overline{\text{OE}}$ = HIGH.
2. t_{OFF} is referenced from rising edge of $\overline{\text{RAS}}$ or $\overline{\text{CAS}}$, whichever occurs last.

ORDERING INFORMATION : 5V

Industrial Range: -40°C to +85°C

| Speed (ns) | Order Part No. | Package |
|------------|-------------------|-----------------------------------|
| 50 | IS41C16100C-50KI | 400-mil SOJ |
| | IS41C16100C-50KLI | 400-mil SOJ, Lead-free |
| | IS41C16100C-50TI | 400-mil TSOP (Type II) |
| | IS41C16100C-50TLI | 400-mil TSOP (Type II), Lead-free |

ORDERING INFORMATION : 3.3V

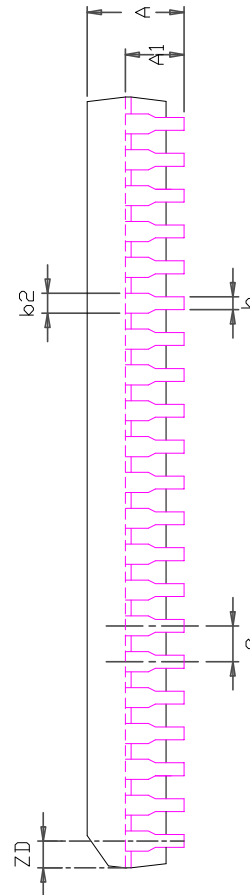
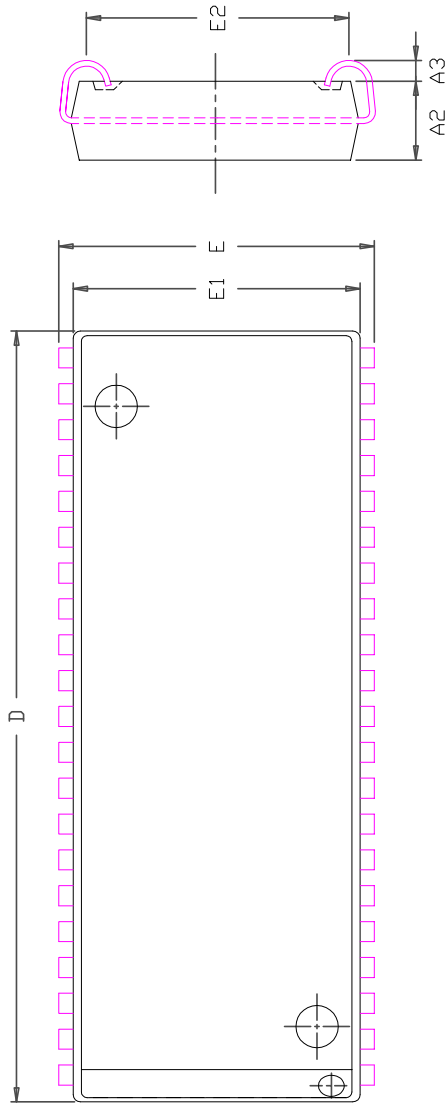
Industrial Range: -40°C to +85°C

| Speed (ns) | Order Part No. | Package |
|------------|--------------------|-----------------------------------|
| 50 | IS41LV16100C-50KI | 400-mil SOJ |
| | IS41LV16100C-50KLI | 400-mil SOJ, Lead-free |
| | IS41LV16100C-50TI | 400-mil TSOP (Type II) |
| | IS41LV16100C-50TLI | 400-mil TSOP (Type II), Lead-free |

Note:

The -50 speed option supports 50ns and 60ns timing specifications.

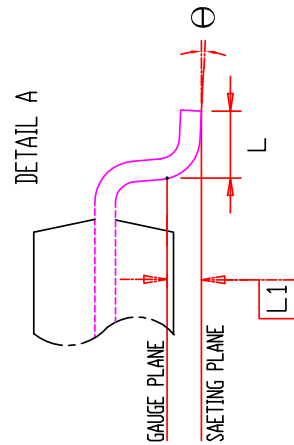
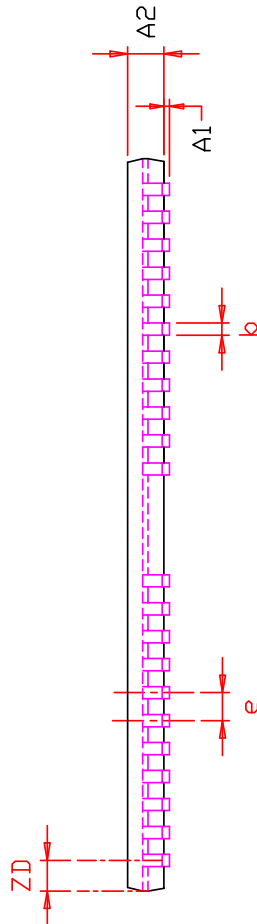
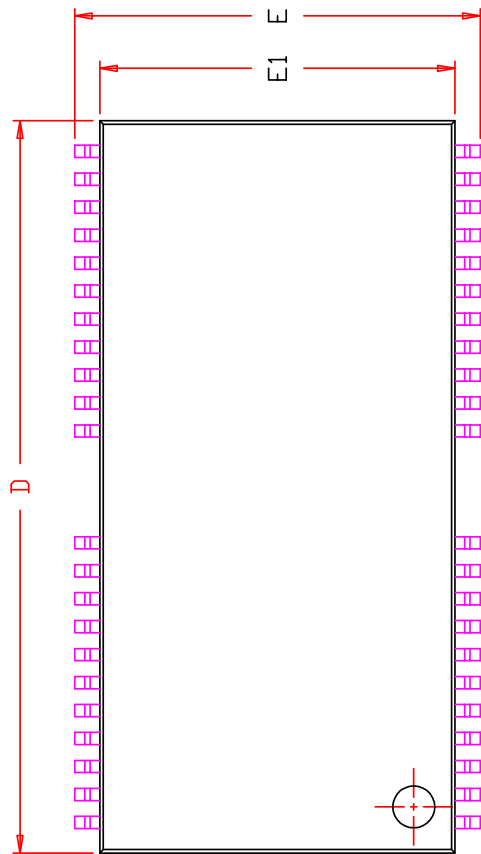
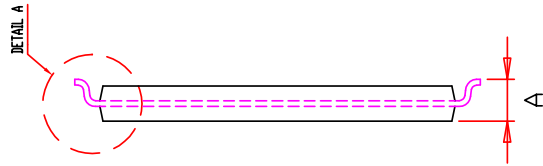
| SYMBOL | DIMENSION IN MM | | DIMENSION IN INCH | |
|--------|-----------------|-----------|-------------------|-----------|
| | MIN. | NOM. MAX. | MIN. | NOM. MAX. |
| A | 3.25 | 3.76 | 0.128 | 0.148 |
| A1 | 2.08 | 2.70 | 0.082 | 0.106 |
| A2 | 2.61 | 2.92 | 0.103 | 0.115 |
| A3 | 0.64 | 0.84 | 0.025 | 0.033 |
| b | 0.38 | 0.51 | 0.015 | 0.020 |
| b2 | 0.66 | 0.81 | 0.026 | 0.032 |
| D | 27.18 | 27.43 | 1.070 | 1.080 |
| E | 11.03 | 11.18 | 0.434 | 0.440 |
| E1 | 10.03 | 10.16 | 0.395 | 0.400 |
| E2 | 9.14 | 9.65 | 0.360 | 0.380 |
| e | 1.27 | BSC. | 0.050 | BSC. |
| ZD | 0.95 | REF. | 0.037 | REF. |



NOTE :

1. CONTROLLING DIMENSION : MM
2. DIMENSION D AND E1 DO NOT INCLUDE MOLD PROTRUSION.
3. DIMENSION b2 DOES NOT INCLUDE DAMBAR PROTRUSION/INTRUSION.

| | | | |
|---|-----------------------------------|------|------------|
|  | TITLE | REV. | DATE |
| | 42L 400mil SOJ Package Outline | C | 03/19/2009 |



| SYMBOL | DIMENSION IN MM | | | DIMENSION IN INCH | | |
|--------|-----------------|-------|-------|-------------------|-------|-------|
| | MIN. | NOM. | MAX. | MIN. | NOM. | MAX. |
| A | 1.00 | | 1.20 | 0.039 | | 0.047 |
| A1 | 0.05 | | 0.15 | 0.002 | | 0.006 |
| A2 | 0.95 | 1.00 | 1.05 | 0.037 | 0.039 | 0.041 |
| b | 0.30 | | 0.45 | 0.012 | | 0.018 |
| D | 20.82 | 20.95 | 21.08 | 0.820 | 0.825 | 0.830 |
| E | 11.56 | 11.76 | 11.96 | 0.455 | 0.463 | 0.471 |
| E1 | 10.03 | 10.16 | 10.29 | 0.395 | 0.400 | 0.405 |
| e | 0.80 | BSC. | 0.031 | BSC. | | |
| L | 0.40 | 0.50 | 0.60 | 0.016 | 0.020 | 0.024 |
| L1 | 0.25 | BSC. | 0.010 | BSC. | | |
| ZD | 0.875 | REF. | 0.034 | REF. | | |
| θ | 0 | | 8° | 0 | | 8° |

NOTE :

1. CONTROLLING DIMENSION : MM
2. DIMENSION D AND E1 DO NOT INCLUDE MOLD PROTRUSION.
3. DIMENSION b DOES NOT INCLUDE DAMBAR PROTRUSION/INTRUSION.



TITLE
44/50L 400mil TSOP-2
Package Outline

REV. E

DATE 03/19/2009

Looking for pricing, stock, or lifecycle information?

Click below to explore more details on WIN SOURCE:

- ⊖ [View IS41LV16100C-50TI on WIN SOURCE](#)
- ⊖ [ISSI, Integrated Silicon Solution Inc Information](#)

Optimize Your Supply Chain with WIN SOURCE Solutions

- ✓ Global Sourcing Solution
- ✓ Obsolete Management
- ✓ Cost Control Management
- ✓ Shortage Management
- ✓ Alternative Solution
- ✓ Excess Inventory Management