



**THE DATASHEET OF
ZL30673LFG7**



Features

- **One, Two or Three DPLL Channels**
 - Timing compliance with ITU-T G.8262, G.813, G.812, G.8273.2; Telcordia GR-1244, GR-253
 - Programmable bandwidth, 0.1mHz to 470Hz
 - Freerun or holdover on loss of all inputs
 - Hitless reference switching
 - High-resolution holdover averaging
 - Per-DPLL phase adjustment, 1ps resolution
 - Programmable tracking range, phase-slope limiting, frequency-change limiting and other advanced features
- **Input Clocks**
 - Accepts up to 10 differential or CMOS inputs
 - Any input frequency from 0.5Hz to 900MHz
 - Per-input activity and frequency monitoring
 - Automatic or manual reference switching
 - Revertive or nonrevertive switching
 - Any input can be a 1PPS SYNC input for REF+SYNC frequency/phase/time locking
 - Input-input phase measurement, 1ps resolution
 - Input-DPLL phase measurement, 1ps resolution
 - Per-input phase adjustment, 1ps resolution
- **Output Clock Frequency Generation**
 - Any output frequency from <0.5Hz to 1045MHz (180MHz max for Synth0)
 - High-resolution fractional frequency conversion with 0ppm error
 - Synthesizers 1 & 2 have integer and fractional dividers to make a total of 5 frequency families
 - Output jitter from Synth 1 & 2 is <0.3ps RMS
 - Output jitter from fractional dividers is typically < 1ps RMS, many frequencies <0.5ps RMS
 - Each HPOUTP/N pair can be LVDS, LVPECL, HCSL, 2xCMOS, HSTL or programmable diff.
 - In 2xCMOS mode, the P and N pins can be different frequencies (e.g. 125MHz and 25MHz)
 - Four output banks each with VDDO pin; CMOS output voltages from 1.5V to 3.3V
 - Per-synthesizer phase adjust, 1ps resolution

Ordering Information

ZL30671LFG7	1-Channel	80-lead LGA	Trays
ZL30672LFG7	2-Channel	80-lead LGA	Trays
ZL30673LFG7	3-Channel	80-lead LGA	Trays

NiAu (Pb-free)

Package size: 11 x 11 mm

-40°C to +85°C

- Per-output programmable duty cycle
- Precise output alignment circuitry and per-output phase adjustment
- Per-output enable/disable and glitchless start/stop (stop high or low)
- **Local Oscillator**
 - Operates from a single TCXO or OCXO: 23.75-25MHz, 47.5-50MHz, 114.285-125MHz
 - Very-low-jitter applications can connect a TCXO or OCXO as the stability reference and a low-jitter XO as the jitter reference
- **General Features**
 - Automatic self-configuration at power-up from internal Flash memory
 - Input-to-output alignment <200ps (ext feedback)
 - Fast REF+SYNC locking for frequency and 1PPS phase alignment with lower-cost oscillator
 - Internal compensation (1ppt) for local oscillator frequency error in DPLLs and input monitors
 - Numerically controlled oscillator behavior in each DPLL and each fractional output divider
 - Easy-to-configure design requires no external VCXO or loop filter components
 - 7 GPIO pins with many possible behaviors
 - SPI or I²C processor Interface
 - 1.8V and 3.3V core VDD voltages
 - Power: 1.3W for 2 inputs, 1 synth, 6 LVDS out
 - Easy-to-use evaluation/programming software

Applications

- Central system timing ICs for SyncE, SyncE+1588, SONET/SDH, OTN, wireless base station and other carrier-grade systems
- G.8262/813 EEC/SEC, Telcordia Stratum 2-4

1. Block Diagram

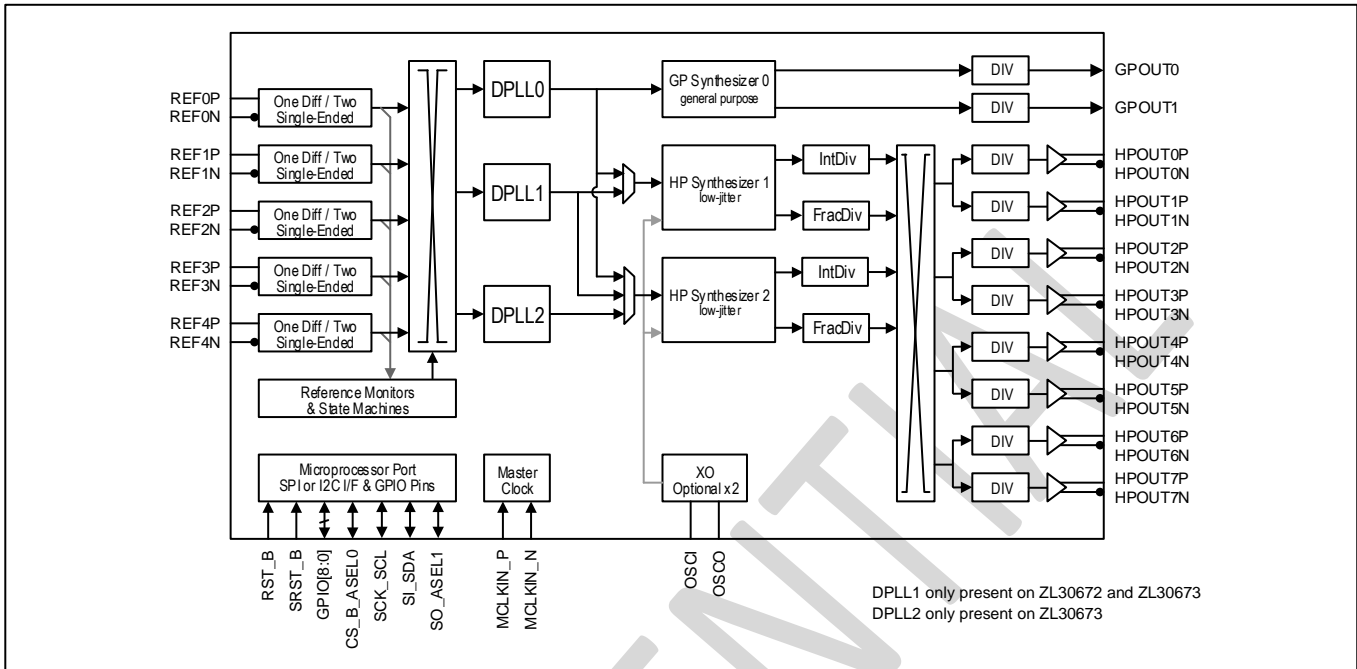


Figure 1 - Functional Block Diagram

2. Application Example

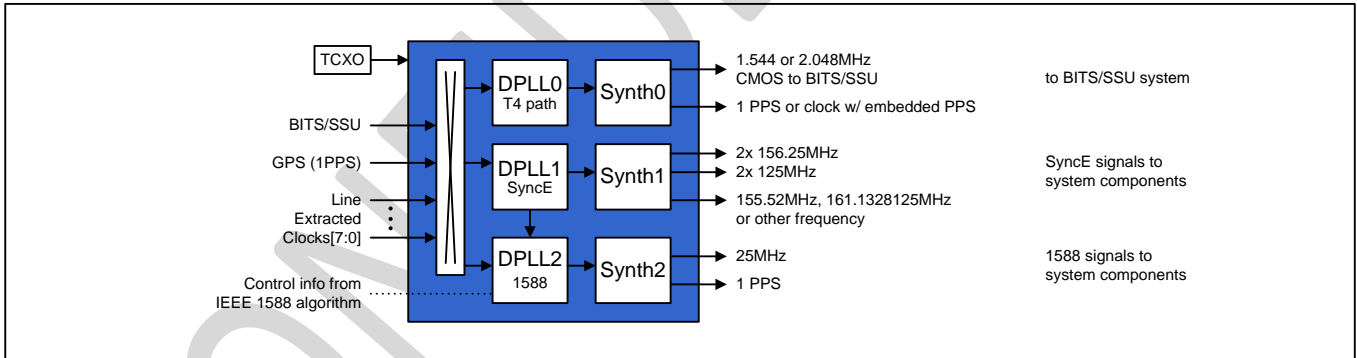


Figure 2 - Synchronous Ethernet and IEEE 1588 Central Timing Application

3. Detailed Features

3.1 Input Block Features

- Ten input reference pins; each can accept a CMOS signal or the POS side of a differential pair; or two can be paired to accept both sides of a differential pair
- Any input can be a SYNC signal for REF+SYNC frequency/phase/time locking
- Input clocks can be any frequency from 0.5Hz up to 900MHz (180MHz max for CMOS inputs)
- Supported telecom frequencies include PDH, SDH, Synchronous Ethernet, OTN, wireless
- Inputs constantly monitored by programmable frequency and single-cycle monitors
- Single-cycle monitor can quickly disqualify a reference when measured period is incorrect
- Frequency measurement (ppb or Hz) and monitoring (coarse, fine, and frequency-step monitors)
- Optional input clock invalidation on GPIO assertion to react to LOS signals from PHYs
- Input-to-input phase measurement, 1ps resolution
- Input-to-DPLL phase measurement, 1ps resolution
- Per-input phase adjustment, 1ps resolution

3.2 DPLL Features

- One, two or three full-featured DPLLs
- Very high-resolution DPLL architecture
- State machine automatically transitions among freerun, tracking and holdover states
- Revertive or nonrevertive reference selection algorithm
- Programmable bandwidth from 0.1mHz to 470Hz
- Less than 0.1dB gain peaking
- Fast frequency/phase/time lock capability for 1PPS or clock+1PPS input references
- Programmable phase-slope limiting (PSL)
- Programmable frequency rate-of-change limiting (FCL)
- Programmable tracking range (i.e. hold-in range)
- Truly hitless reference switching
- Per-DPLL phase adjustment, 1ps resolution
- High-resolution frequency and phase measurement
- Fast detection of input clock failure and transition to holdover mode
- High-resolution holdover frequency averaging
- Time-of-Day registers: 48-bit seconds, 32-bit nanoseconds, writeable on input PPS edge

3.3 Synthesizer Features

- Any-to-any frequency conversion with 0ppm error
- Two low-jitter synthesizers (Synth1, Synth2) with very high-resolution fractional scaling (i.e. non-integer multiplication)
- Two output dividers per low-jitter synthesizer: one integer (4 to 15 plus half divides 4.5 to 7.5) and one 40-bit fractional
- One general-purpose synthesizer (Synth0)
- A total of five output frequency families
- Easy-to-configure, completely encapsulated design requires no external VCXO or loop filter components

3.4 Low-Jitter Output Clock Features

- Up to 16 single-ended outputs (up to 8 differential outputs) from Synth1 and Synth2
- Each output can be one differential output or two CMOS outputs
- Output clocks can be any frequency from 0.5Hz to 1045MHz (250MHz max for CMOS and HSTL)
- Output jitter from Synth1 and Synth2 integer dividers is <0.3ps RMS
- Output jitter from fractional dividers is <1ps RMS, many frequencies <0.5ps RMS
- In CMOS mode, the HPOUTxN frequency can be an integer divisor of the HPOUTxP frequency (Example 1: HPOUT3P 125MHz, HPOUT3N 25MHz. Example 2: HPOUT2P 25MHz, HPOUT2N 1Hz)
- Outputs directly interface (DC coupled) with LVDS, LVPECL, HSTL, HCSL and CMOS components

- Supported telecom frequencies include PDH, SDH, Synchronous Ethernet, OTN
- Can produce clock frequencies for microprocessors, ASICs, FPGAs and other components
- Can produce PCIe clocks
- Sophisticated output-to-output phase alignment
- Per-synthesizer phase adjustment, 1ps resolution
- Per-output phase adjustment
- Per-output duty cycle / pulse width configuration
- Per-output enable/disable
- Per-output glitchless start/stop (stop high or low)

3.5 General-Purpose Output Clock Features

- Two CMOS outputs from Synth0
- Any frequency from 0.5Hz to 180MHz
- Output jitter is typically 20-30ps
- Useful for applications where the component or system receiving the signal has low bandwidth such as a central timing IC
- Can output a clock signal with embedded PPS (ePPS) (duty cycle distortion indicates PPS location)

3.6 Local Oscillator

- Operates from a single TCXO or OCXO (jitter reference for the device). Acceptable frequencies: 23.75MHz to 25MHz, 47.5MHz to 50MHz, 114.285MHz to 125MHz. Best jitter: ≥ 48 MHz.
- Very-low-jitter applications can connect a TCXO or OCXO (any frequency, any output jitter) as the stability reference and a low-cost low-jitter XO as the jitter reference
- This ability to have separate jitter and stability references greatly reduces the cost of the TCXO or OCXO (no jitter requirement, no high-frequency-requirement) and allows reuse of already-qualified TCXO and OCXO components
- Supports redundant TCXOs connected to two REF pins

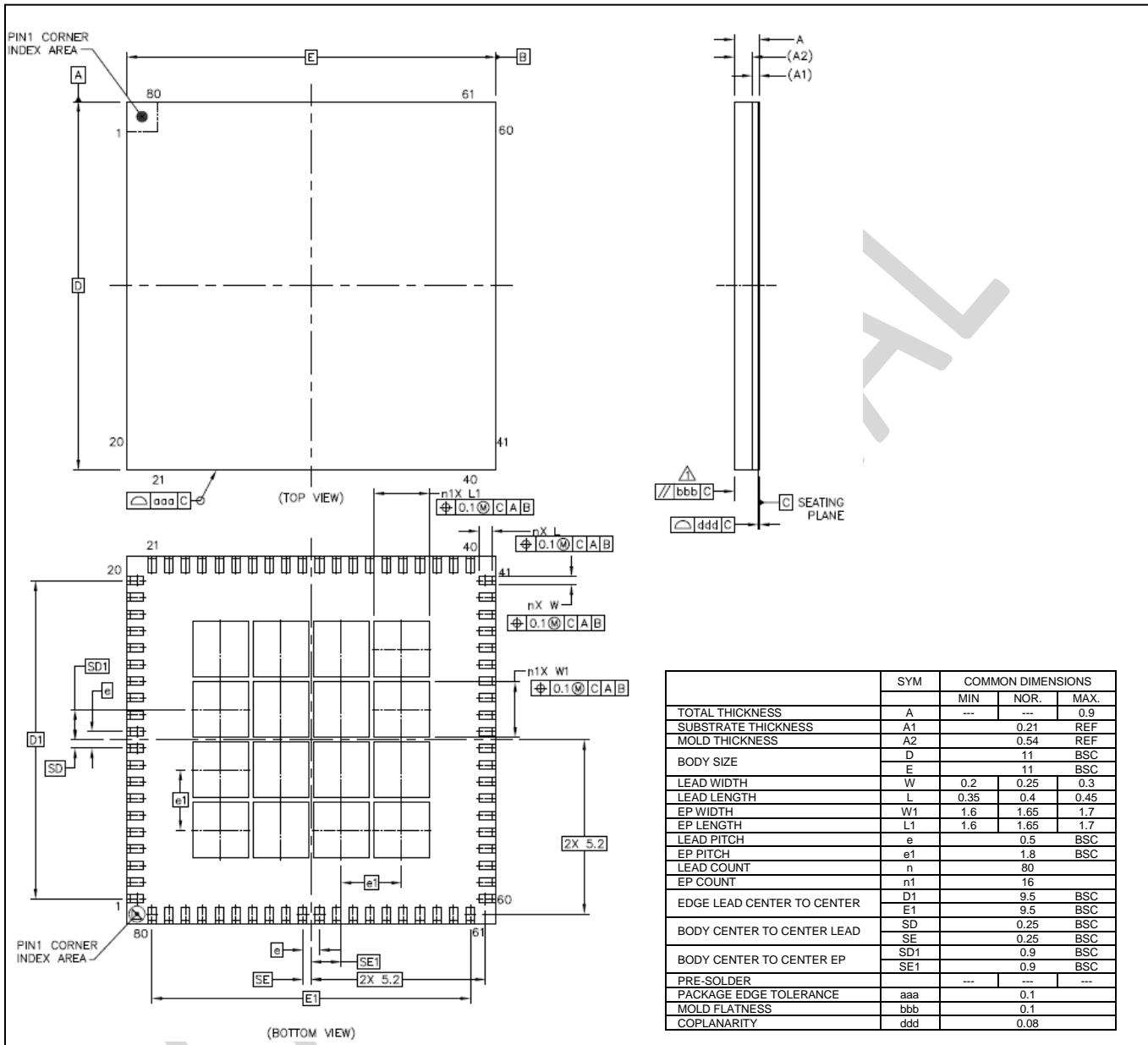
3.7 General Features

- Automatic self-configuration at power-up from internal Flash memory
- Input-to-output alignment < 200 ps with external feedback
- Fast REF+SYNC locking for frequency and 1PPS phase alignment with lower-cost oscillator
- Generates output SYNC signals: 1PPS (IEEE 1588), 2kHz or 8kHz (SONET/SDH) or other frequency
- JESD204B clocking: device clock and SYSREF signal generation with skew adjustment
- Internal compensation for local oscillator frequency error in DPLLs and input monitors, 1ppt resolution
- Numerically controlled oscillator (NCO) behavior allows system software to steer DPLL frequency or fractional output divider frequency with resolution better than 0.005ppt
- Spread-spectrum modulation available in each fractional output divider (PCIe compliant)
- Seven general-purpose I/O pins each with many possible status and control options
- SPI or I²C serial microprocessor interface

3.8 Evaluation Software

- Simple, intuitive Windows-based graphical user interface
- Supports all device features and register fields
- Makes lab evaluation of the device quick and easy
- Generates configuration scripts to be stored in internal Flash memory
- Generates full or partial configuration scripts to be run on a system processor
- Works with or without an evaluation board

4. Package Outline Drawing





Microsemi Corporate Headquarters
One Enterprise
Aliso Viejo, CA 92656 USA

Within the USA: +1 (800) 713-4113
Outside the USA: +1 (949) 380-6100
Sales: +1 (949) 380-6136
Fax: +1 (949) 215-4996

E-mail: sales.support@microsemi.com

©2019 Microsemi Corporation. All rights reserved. Microsemi and the Microsemi logo are trademarks of Microsemi Corporation. All other trademarks and service marks are the property of their respective owners.

Microsemi Corporation (Nasdaq: MSCC) offers a comprehensive portfolio of semiconductor and system solutions for communications, defense & security, aerospace and industrial markets. Products include high-performance and radiation-hardened analog mixed-signal integrated circuits, FPGAs, SoCs and ASICs; power management products; timing and synchronization devices and precise time solutions, setting the world's standard for time; voice processing devices; RF solutions; discrete components; security technologies and scalable anti-tamper products; Power-over-Ethernet ICs and midspans; as well as custom design capabilities and services. Microsemi is headquartered in Aliso Viejo, Calif., and has approximately 3,400 employees globally. Learn more at www.microsemi.com.

Microsemi makes no warranty, representation, or guarantee regarding the information contained herein or the suitability of its products and services for any particular purpose, nor does Microsemi assume any liability whatsoever arising out of the application or use of any product or circuit. The products sold hereunder and any other products sold by Microsemi have been subject to limited testing and should not be used in conjunction with mission-critical equipment or applications. Any performance specifications are believed to be reliable but are not verified, and Buyer must conduct and complete all performance and other testing of the products, alone and together with, or installed in, any end-products. Buyer shall not rely on any data and performance specifications or parameters provided by Microsemi. It is the Buyer's responsibility to independently determine suitability of any products and to test and verify the same. The information provided by Microsemi hereunder is provided "as is, where is" and with all faults, and the entire risk associated with such information is entirely with the Buyer. Microsemi does not grant, explicitly or implicitly, to any party any patent rights, licenses, or any other IP rights, whether with regard to such information itself or anything described by such information. Information provided in this document is proprietary to Microsemi, and Microsemi reserves the right to make any changes to the information in this document or to any products and services at any time without notice.

Looking for pricing, stock, or lifecycle information?

Click below to explore more details on WIN SOURCE:

 [View ZL30673LFG7](#) on WIN SOURCE

 [Microchip Technology](#) Information

Optimize Your Supply Chain with WIN SOURCE Solutions

-  Global Sourcing Solution
-  Obsolete Management
-  Cost Control Management
-  Shortage Management
-  Alternative Solution
-  Excess Inventory Management