



**THE DATASHEET OF
XRT5683AIP-F**



FEATURES

- Single 5V Supply
- Receiver Input Can Be Either Balanced or Unbalanced
- Up To 8.448Mbps Operation In Both Tx and Rx Directions

- TTL Compatible Interface
- Device Can Be Used as a Line Interface Unit Without Clock Recovery

APPLICATIONS

- T1, T2, E1 & E2 Rates, PCM Line Interface
- Network Multiplexing and Terminating Equipment

GENERAL DESCRIPTION

The XR-T5683A is a PCM line interface chip consisting of both transmit and receive circuitry. This device is offered in a plastic dual in-line (PDIP) or in a surface mount package (SOIC). The maximum bit rate of the chip is 8.448Mbps, and the signal level to the receiver can be

attenuated by -10dB cable loss at one-half the bit rate. At nominal supply voltage operation, the typical current consumption is 40mA.

ORDERING INFORMATION

Part No.	Package	Operating Temperature Range
XR-T5683AIP	18 Lead 300 Mil PDIP	-40°C to +85°C
XR-T5683AID	18 Lead 300 Mil JEDEC SOIC	-40°C to +85°C

BLOCK DIAGRAM

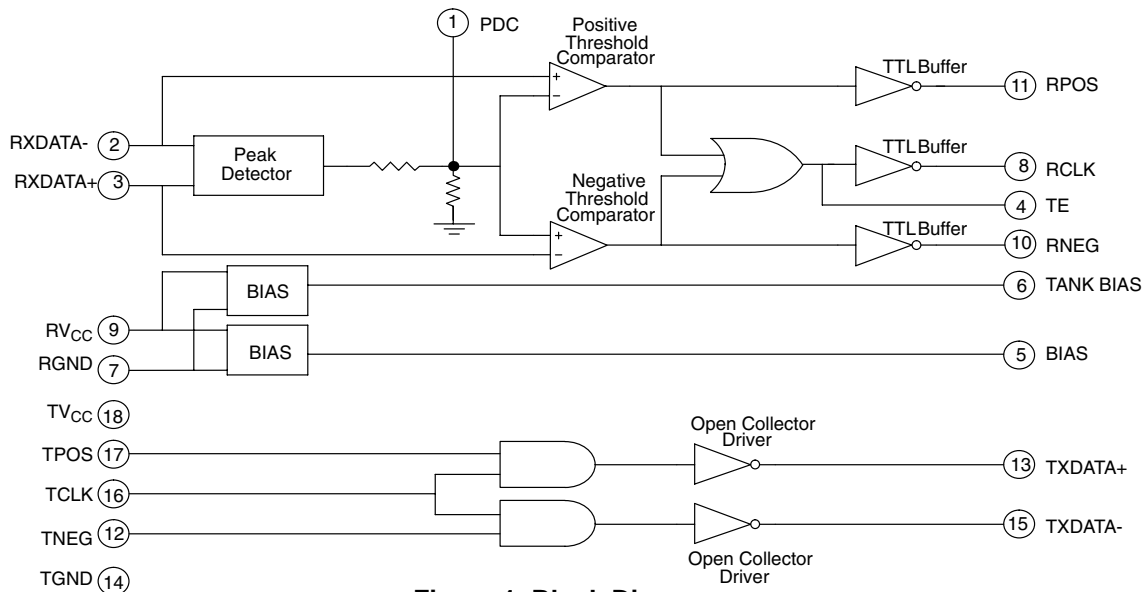
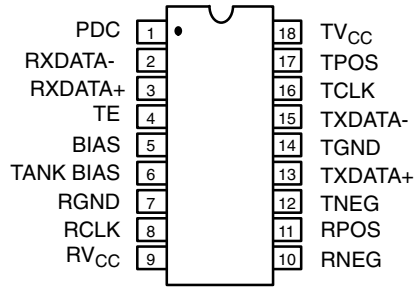
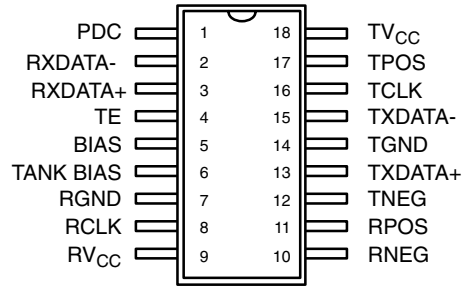


Figure 1. Block Diagram

PIN CONFIGURATION



18 Lead PDIP (0.300'')



18 Lead SOIC (JEDEC, 0.300'')

PIN DESCRIPTION

Pin #	Symbol	Type	Description
1	PDC		Peak Detector Capacitor. This pin should be connected to a 0.1 μ F capacitor.
2	RXDATA-	I	Receive Analog Input Positive. Line analog input.
3	RXDATA+	I	Receive Analog Input Negative. Line analog input.
4	TE	O	Tank Excitation Output. This output connects to one side of the tank circuitry.
5	BIAS	O	Bias. This output is to be connected to the center tap of the receive transformer.
6	TANK BIAS	O	Tank Bias. The tank circuitry is biased via this output.
7	RGND		Receiver Ground. To minimize ground interference a separate pin is used to ground the receive section.
8	RCLK	O	Recovered Receive Clock. Recovered clock signal to the terminal equipment.
9	RV _{CC}		Receive Supply Voltage. 5V supply voltage to the receive section.
10	RNEG	O	Receive Negative Data. Negative pulse data output to the terminal equipment (active low).
11	RPOS	O	Receive Positive Data. Positive pulse data output to the terminal equipment (active low).
12	TNEG	I	Transmit Negative Data. TNEG is valid while TCLK is high.
13	TXDATA+	O	Transmit Positive Output. Transmit bipolar signal is driven to the line via a transformer.
14	TGND		Transmit Ground.
15	TXDATA-	O	Transmit Negative Output. Transmit bipolar signal is driven to the line via a transformer.
16	TCLK	I	Transmit Clock. Timing element for TPOS and TNEG.
17	TPOS	I	Transmit Positive Data. TPOS is valid while TCLK is high.
18	TV _{CC}		Transmit Supply Voltage. 5V supply voltage to the transmit section.

ELECTRICAL CHARACTERISTICS

Test Conditions: $V_{CC} = 5.0V \pm 5\%$, $T_A = 25^\circ C$, Unless Otherwise Specified.

Parameters	Min.	Typ.	Max.	Unit	Conditions
DC Electrical Characteristics					
Supply Voltage	4.75	5	5.25	V	
Supply Current		40	55	mA	Total Current to Pin 9 & Pin 18 Transmitter Outputs Open
Receiver Section					
Tank Drive Current	300	500	700	μA	Measured at Pin 4, $V_{CC} = 5V$
Clock Output Low		0.3	0.6	V	Measured at Pin 8, $I_{OL} = 1.6mA$
Clock Output High	3.0	3.6		V	Measured at Pin 8, $I_{OH} = -400\mu A$
Data Output Low		0.3	0.6	V	Measured at Pin 10 & 11, $I_{OL} = 1.6mA$
Data Output High	3.0	3.6		V	Measured at Pin 10 & 11, $I_{OH} = -400\mu A$
Transmitter Section					
Driver Output Low	0.6	0.8	1.0	V	Measured at Pin 13 & 15, $I_{OL} = 40mA$
Output Leakage Current		0	100	μA	Measured in Off State, Output Pull-up to +20V
Input High Voltage	2.2		V_{CC}	V	Measured at Pin 12, 16 & 17, $I_{OL} = 40mA$, $V_{OL} = 1.0V$
Input Low Voltage			0.8	V	Measured at Pin 12, 16 & 17, Output Off
Input Low Current			-1.6	mA	Measured at Pin 12, 16 & 17, Input Low Voltage = 0.4V
Input High Current			40	μA	Measured at Pin 12, 16 & 17, Input High Voltage = 2.7V
Output Low Current			40	mA	Measured at Pin 13 & 15, $V_{OL} = 1.0V$
AC Electrical Characteristics					
Receiver Section					
Input Level		6	6.6	Vpp	Measured Between Pin 2 & 3
Loss Input Signal Alarm Level		1.6		Vpp	Measured Between Pin 2 & 3, Alarm on Pull Data Output High
Input Impedance at 8,448MHz		2.5		k Ω	Measured Between Pin 2 & 3, With Sinewave Input
Clock Duty Cycle	35	50	65	%	Measured at Pin 8 at 2.0V
Clock Rise & Fall Time		20		ns	Measured at Pin 8, $C_L = 15pF$
Data Pulse Width	35	50	75	% of clock period	Measured at Pin 10 & 11, at 1V DC Level, Cable Loss = 0

Notes

Bold face parameters are covered by production test and guaranteed over operating temperature range.

ELECTRICAL CHARACTERISTICS (CONT'D)

Parameters	Min.	Typ.	Max.	Unit	Conditions
AC Electrical Characteristics (Cont'd)					
Transmitter Section					
Pulse Width at 8.448MHz	53		65	ns	Measured at Pin 13 & 15, See Figure 6
Output Rise Time		12	25	ns	See <i>Figure 5</i>
Output Fall Time		12	25	ns	See <i>Figure 5</i>
Output Pulse Imbalance		2.5		ns	At 50% Output Level

Specifications are subject to change without notice

Notes

Bold face parameters are covered by production test and guaranteed over operating temperature range.

ABSOLUTE MAXIMUM RATINGS

Supply Voltage +20V

Storage Temperature -65°C to +150°C

SYSTEM DESCRIPTION

The incoming bipolar PCM signal which is attenuated and distorted by the cable is applied to the threshold comparator and the peak detector . The peak detector generates a DC reference for the threshold comparator for data and clock extraction. An external tank circuit tuned to the appropriate frequency is added for the later operation. The clock signal, data (+) and data (-) all go through a similar level shifter to be converted into TTL level to be compatible for digital processing.

In the transmit direction, the output drivers consist of two identical TTL inputs with open collector output stages.

The maximum low level current these output stages can sink is 40mA. With full width data (NRZ) applied to the inputs together with a synchronized clock, the output will generate a bipolar signal when driving a center-tapped transformer. A block diagram of the XR-T5683A is shown in *Figure 1*.

The clock recovery uses an external tank circuit. The receive data will create an excitation for the tank circuitry which in turn will create a recovered, received clock (RCLK).

Table 1 shows typical expected jitter tolerance. The following measurements have been done at a transmission rate of T1 (1.544MHz). (See Figure 2).

Jitter	1.544Mbs in UI	Jitter	1.544Mbs in UI
10Hz	>10UI	5kHz	1.3UI
100Hz	>10UI	8kHz	0.8UI
500Hz	>10UI	10kHz	0.7UI
1kHz	6.5UI	32kHz	0.5UI
2kHz	3.3UI	50kHz	0.45UI
3kHz	2.1UI	77kHz	0.45UI
4kHz	1.5UI	-	-

$V_{CC} = +5V \pm 5\%$, $T_A = 25^\circ C$

Table 1. Jitter Tolerance at 1.544Mbps with 6db Cable Loss

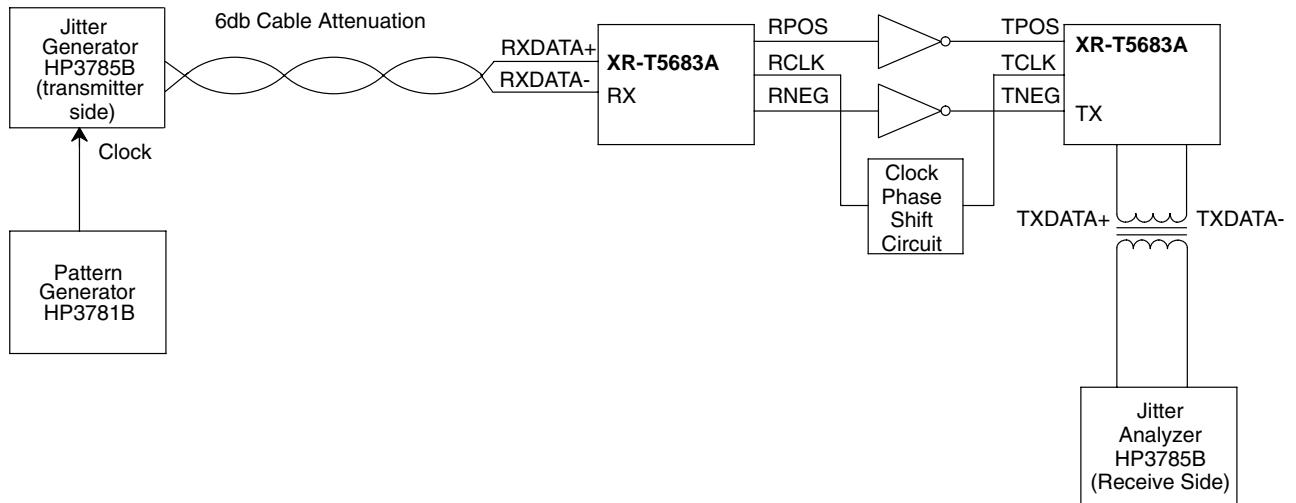


Figure 2. Jitter Measurement Set-up

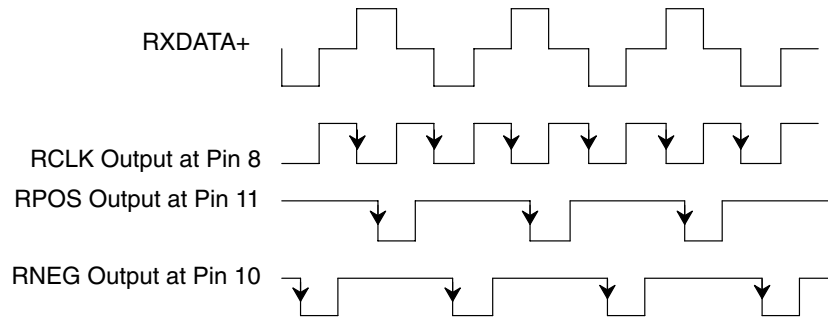


Figure 3. Receiver Timing Diagram With 1-1-1-1-1 Pattern

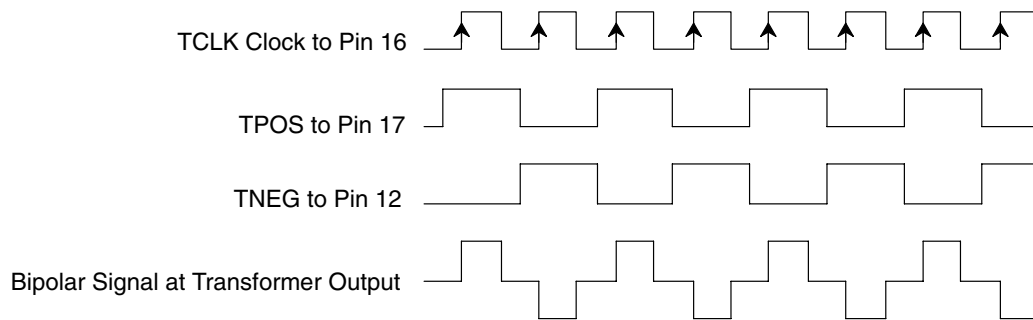
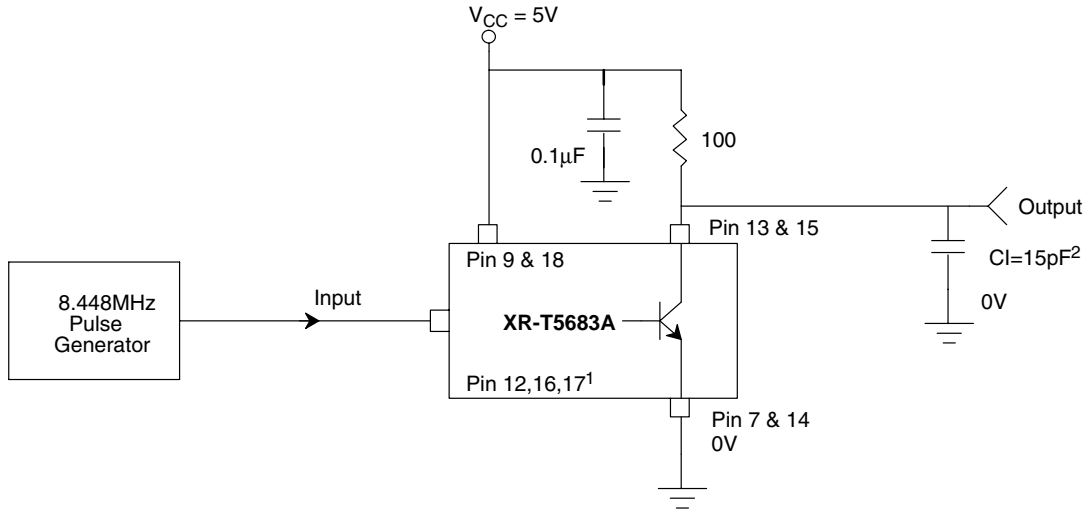


Figure 4. Transmitter Input Timing Diagram



Notes

- ¹ Inputs that are not connected to pulse generator will be tied to V_{CC} via 1K resistor.
- ² C1 includes probe and jig capacitance.

Figure 5. Test Circuit

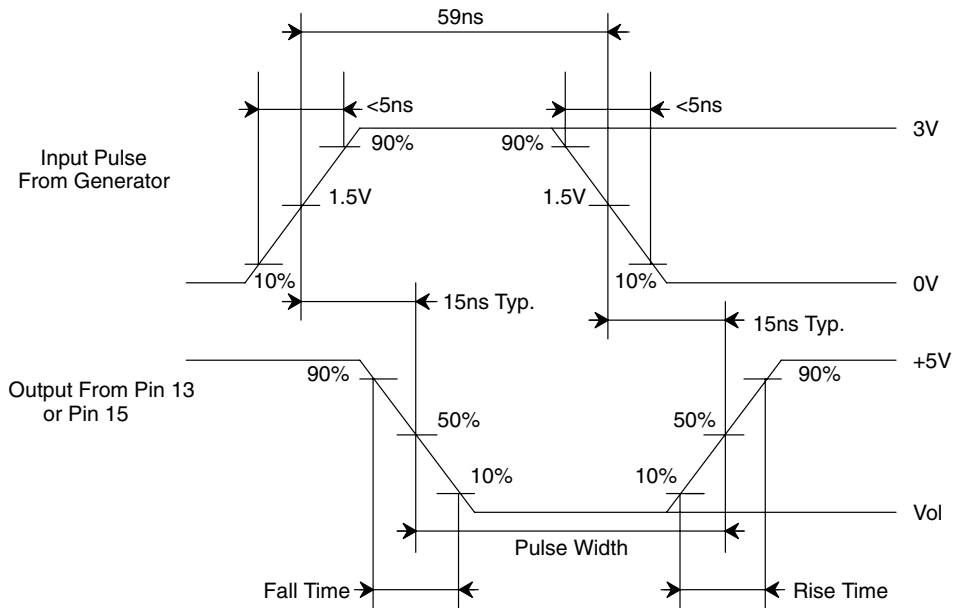


Figure 6. Transmitter Test Circuit and Switching Waveforms (Measured at 8.448Mbps)

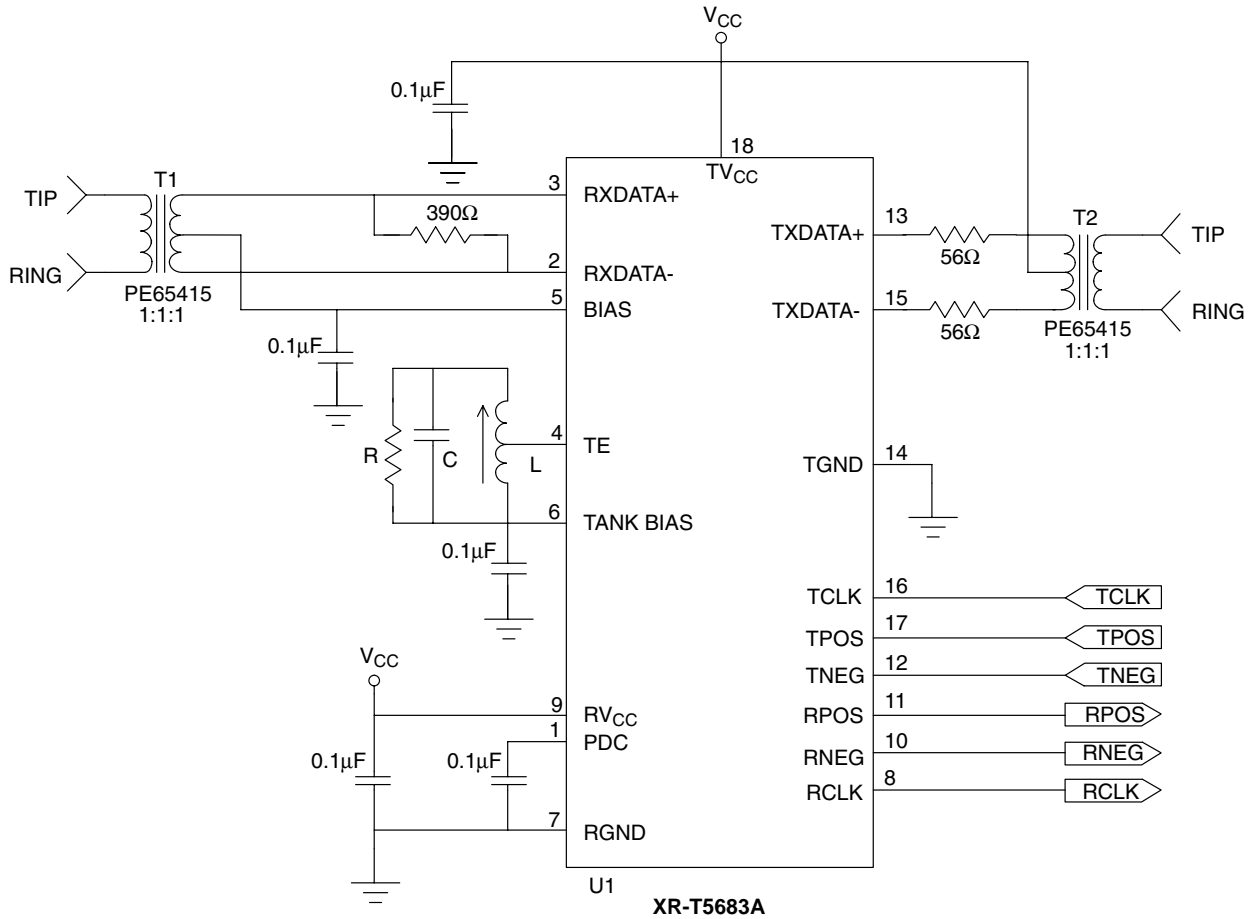


Figure 7. Application Circuit

INPUT AND OUTPUT TRANSFORMERS

Pulse Engineering types PE-65415, PE-65771 or PE-65835 transformers, may be used for both the input and output transformers. These three parts, which are all 1CT:2CT turns ratio and have similar electrical specifications, are wound on small, epoxy-encapsulated,

torroid cores. They differ in physical size, operating temperature range and voltage isolation. These transformers are suitable for operation over the 1.544 through 8.448Mbps range which includes T1, T2, E1 and E2.

Schott-Part Number	Nominal Inductance	Mechanical Style	Bit Rate (MBIT/S)	Tuning Cap. (See Note)
24443	48 μ Hy with CT	RM 5 Core, 4 Pin Bobbin	1.544(T1)	200pF
			2.048(E1)	100pF
24444	5 μ Hy with CT	14 x 8 Potcore, 6 Pin Bobbin	6.312(T2)	100pF
			6.448(E2)	60pF

Table 2. Inductor Selection

Notes

- Capacitor values shown combined with typical stray capacitance will normally resonate the tank circuit at the specific bit rate.
- The centertapped inductor (L) eliminates clock amplifier overload by reducing the signal amplitude applied to T5683A pin 8 while feeding pseudo-random data into the receive input, tune this inductor for minimum jitter on the recovered clock (pin 8) as shown on an oscilloscope.
- R, which may be in the 20K to 50k Ω range, is optional and may be used to lower clock recovery circuit Q if desired.

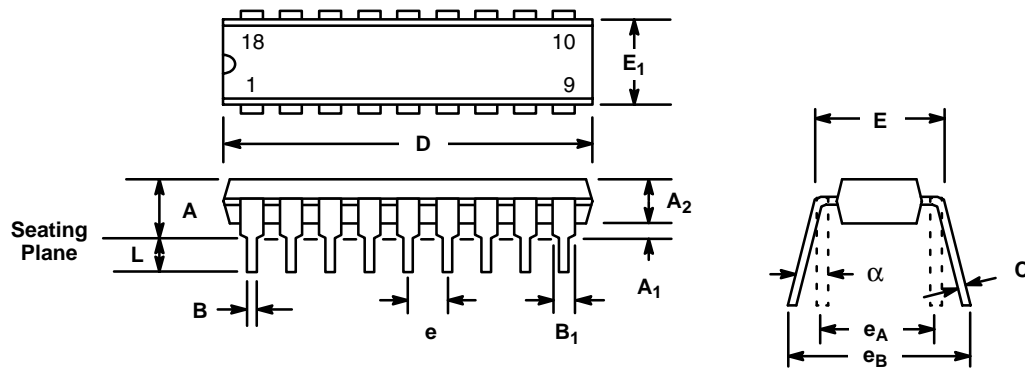
Magnetic Supplier Information:

Pulse
Telecom Product Group
P.O. Box 12235
San Diego, CA 92112
Tel. (619) 674-8100
Fax. (619) 674-8262

John Marshall
Schott Corporation
1838 Elm Hill Pike, Suite 100
Nashville, TN 37210
Tel. (615) 889-8800
Fax (615) 885-0834

18 LEAD PLASTIC DUAL-IN-LINE (300 MIL PDIP)

Rev. 1.00

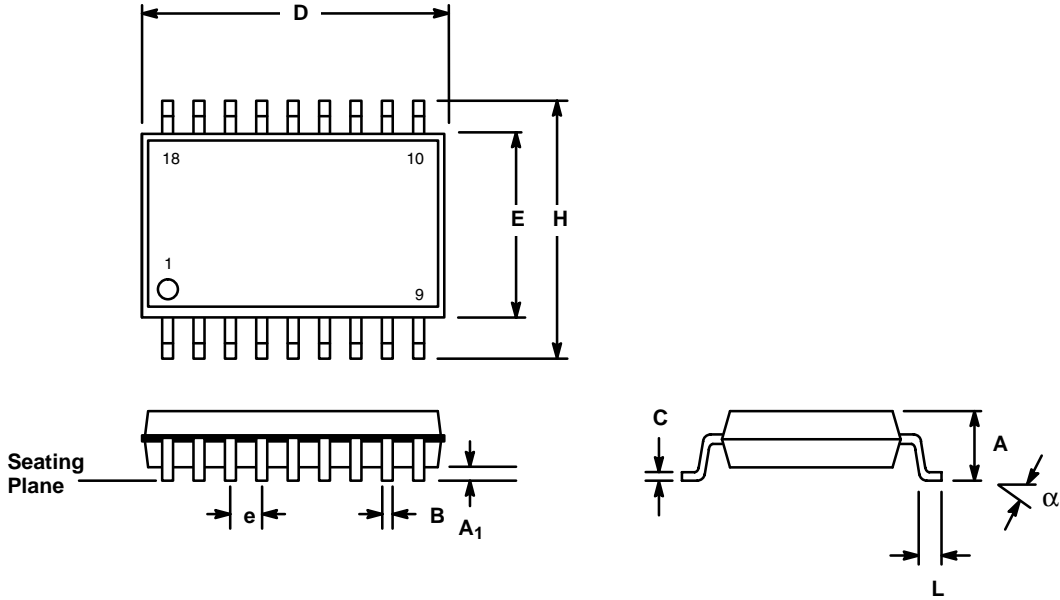


SYMBOL	INCHES		MILLIMETERS	
	MIN	MAX	MIN	MAX
A	0.145	0.210	3.68	5.33
A ₁	0.015	0.070	0.38	1.78
A ₂	0.115	0.195	2.92	4.95
B	0.014	0.024	0.36	0.56
B ₁ 0.030		0.070	0.76	1.78
C	0.008	0.014	0.20	0.38
D	0.845	0.925	21.46	23.50
E	0.300	0.325	7.62	8.26
E ₁	0.240	0.280	6.10	7.11
e	0.100 BSC		2.54 BSC	
e _A	0.300 BSC		7.62 BSC	
e _B	0.310	0.430	7.87	10.92
L	0.115	0.160	2.92	4.06
α	0°	15°	0°	15°

Note: The control dimension is the inch column

**18 LEAD SMALL OUTLINE
(300 MIL JEDEC SOIC)**

Rev. 1.00



SYMBOL	INCHES		MILLIMETERS	
	MIN	MAX	MIN	MAX
A	0.093	0.104	2.35	2.65
A ₁	0.004	0.012	0.10	0.30
B	0.013	0.020	0.33	0.51
C	0.009	0.013	0.23	0.32
D	0.447	0.463	11.35	11.75
E	0.291	0.299	7.40	7.60
e	0.050 BSC		1.27 BSC	
H	0.394	0.419	10.00	10.65
L	0.016	0.050	0.40	1.27
α	0°	8°	0°	8°

Note: The control dimension is the millimeter column

NOTICE

EXAR Corporation reserves the right to make changes to the products contained in this publication in order to improve design, performance or reliability. EXAR Corporation assumes no responsibility for the use of any circuits described herein, conveys no license under any patent or other right, and makes no representation that the circuits are free of patent infringement. Charts and schedules contained herein are only for illustration purposes and may vary depending upon a user's specific application. While the information in this publication has been carefully checked; no responsibility, however, is assumed for inaccuracies.

EXAR Corporation does not recommend the use of any of its products in life support applications where the failure or malfunction of the product can reasonably be expected to cause failure of the life support system or to significantly affect its safety or effectiveness. Products are not authorized for use in such applications unless EXAR Corporation receives, in writing, assurances to its satisfaction that: (a) the risk of injury or damage has been minimized; (b) the user assumes all such risks; (c) potential liability of EXAR Corporation is adequately protected under the circumstances.

Copyright 2010 EXAR Corporation
Datasheet October 2010

Reproduction, in part or whole, without the prior written consent of EXAR Corporation is prohibited.

Looking for pricing, stock, or lifecycle information?

Click below to explore more details on WIN SOURCE:

 [View XRT5683AIP-F on WIN SOURCE](#)

 [MaxLinear Inc Information](#)

Optimize Your Supply Chain with WIN SOURCE Solutions

-  Global Sourcing Solution
-  Obsolete Management
-  Cost Control Management
-  Shortage Management
-  Alternative Solution
-  Excess Inventory Management