



**THE DATASHEET OF
VL1814510000G**



VL xx 1 4 x 1 xxxx G

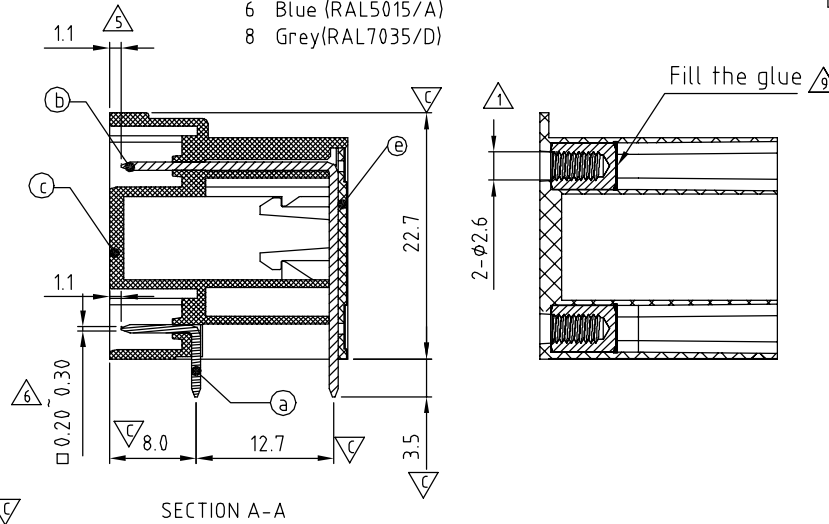
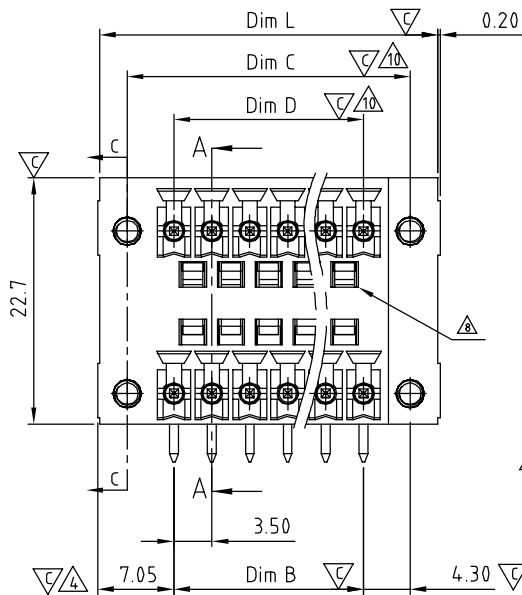
POLES
 04 2x2 CONTACTS
 06 2x3 CONTACTS
 ...
 48 2x24 CONTACTS

COLOR
 0 Black (RAL9005)
 2 Red (RAL3001/D)
 3 Orange(RAL2011/P)
 4 Yellow(RAL1018/A)
 5 Green(RAL6018/T)
 6 Blue (RAL5015/A)
 8 Grey(RAL7035/D)

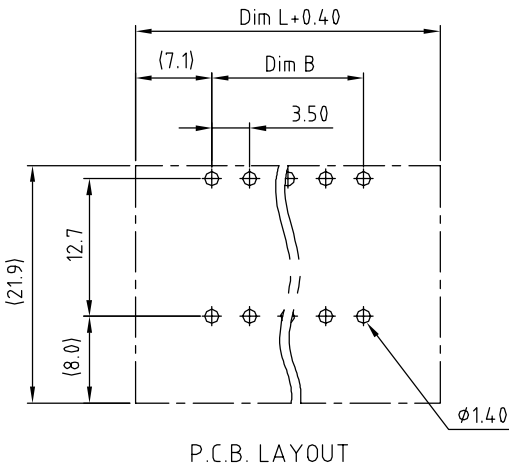
G: RoHS compliant
 (lead<4%)
 In copper Alloy
 0000: "@" Logo
 000A: "ANYTEK" Mark
 Any special item by
 customer request.
 please contact sales
 department.

SIGN	DATE	DESCRIPTION	APPROVER
△	2009.6.08	The design is changed	Jacke
△	2009.6.08	Add UL standard	Jacke
△	2009.6.08	The current rating and operating temperature are changed	Jacke
△	2009.6.08	Corrected dimension △ from 6.85mm to 7.05mm	Jacke
△	2010.01.22	The demension is changed from 1.60mm to 1.10mm	Jacke
△	2010.01.22	The demension is changed from 0.40mm to 0.20~0.30mm	Jacke
△	2010.03.31	The material is changed from Brass to Copper	Jacke
△	2010.04.01	The design is changed	Jacke
△	2012.04.24	Flange nut is changed	Chen Bo
△	2012.04.24	The Dimension Dim C & Dim D & 0.20 are added	Chen Bo

THIS IS CAD DRAWING, DO NOT REVISE MANUALLY!!!



- Material**
- △ Item ① Short contact pin: Copper Tin plated
 - Item ② Long contact pin :Copper Tin plated
 - Item ③ Terminal (housing): Thermoplastic (UL94V-0)
 - Item ④ With flange nut : Brass (CuZn)
 - Item ⑤ Terminal (cover): Thermoplastic (UL94V-0)
- Electrica cULus
- Voltage rating: 300VAC
 - △ Item ③ ● Current rating: 8A
 - Wire range:
 - Solid wire(AWG):
 - Stranded wire(AWG):
 - Withstanding Voltage: 1.6KV
 - Operating temperature: -40°C to +115°C
 - △ Item ③ ● Soldering temperature: 260°C±5°C/5 Sec
 - △ Item ② ● Safety Approval:
 - Critical dimension: △



N = Number of poles
 Dim L=(N-1)×3.5+13.7
 Dim B=(N-1)×3.5
 Dim C=(N-1)×3.5+8.6
 Dim D=(N-1)×3.5

Poles	Dim L	Dim B	Dim C	Dim D
2x2-2x6p	±0.15	±0.15	±0.15	±0.15
2x7-2x13p	±0.20	±0.20	±0.20	±0.20
2x14-2x18p	±0.25	±0.25	±0.25	±0.25
2x19-2x24p	±0.30	±0.30	±0.30	±0.30

ANYTEK

CUSTOMER COPY

ALL RIGHTS RESERVED. REPRODUCTION OR ISSUE TO THIRD PARTIES IN ANY FORM WHATSOEVER IS NOT PERMITTED WITHOUT WRITTEN AUTHORITY FROM THE PROPRIETOR. PROPERTY OF ANYTEK TECHNOLOGY CO., LTD

TITLE		VL-3.5mm Right-angle Series "B Type" With flange		
PART NO.	VLxx14x1xxxxG	DWG NO.	8VL0404	
APPROVED	CHECKED	DESIGNED	DRAWN	CUST NO.
		Chen Bo 04/23'12	Chen Bo 04/23'12	
				Tolerance
				UNIT: mm
				SCALE: NONE
				X. ±0.50
				X.X ±0.30
				X.XX ±0.10
				X° ±1°

SHEET: 01/01 REV.: E

Looking for pricing, stock, or lifecycle information?

Click below to explore more details on WIN SOURCE:

 [View VL1814510000G on WIN SOURCE](#)

 [Amphenol Anytek Information](#)

Optimize Your Supply Chain with WIN SOURCE Solutions

-  Global Sourcing Solution
-  Obsolete Management
-  Cost Control Management
-  Shortage Management
-  Alternative Solution
-  Excess Inventory Management