

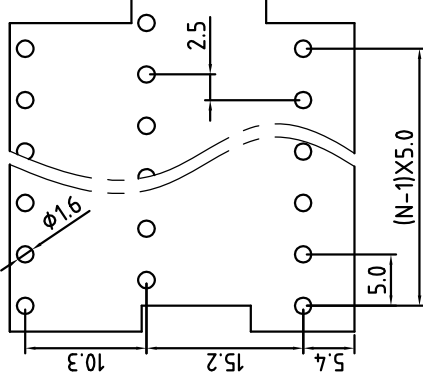
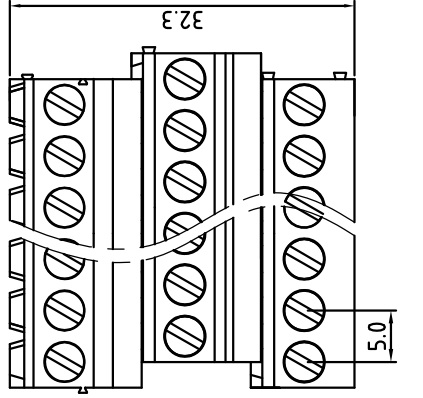


**THE DATASHEET OF
OSTYN210150**

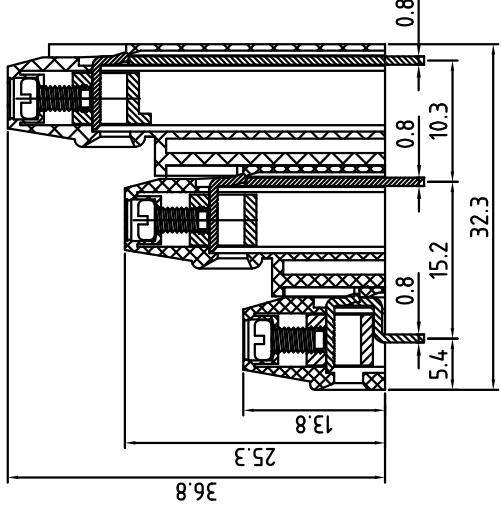
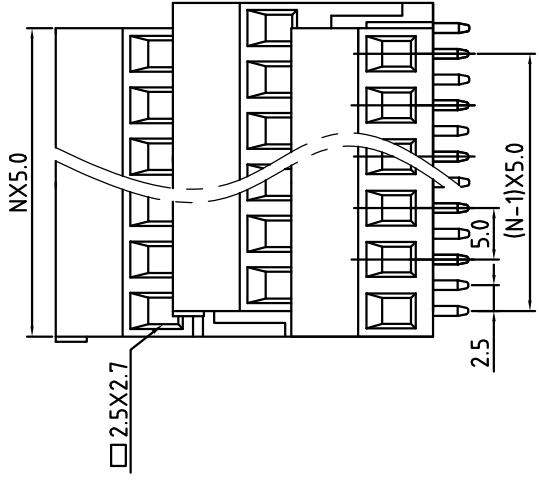


Transfer or duplication of this document as well as the utilisation or communication of its content, utility model or design patent
 consens is granted. Violations give rise to claims for damages. All rights reserved in case of patent, utility model or design patent
 registrations.

P.C.B. LAYOUT



Technical Data:
 Electrical
 Pitch: 5.0mm
 Voltage rating: 300V
 Current rating: 16 Amps
 Contact resistance: 20mΩ
 Withstanding Voltage: 2kV
 Wire range: 12-24AWG
 Wire strip length: 6-7mm
 Mechanical:
 Torque: 4.0kgf.cm/M2.5
 Operating temperature: -40
 Soldering temperature:
 Temperature= 250°C±10°C /
 Safety approval (pending):
 RoHS Compliance



Part No.: **OSTYNXX019**

No. of Poles
 02 2 Pole
 03 3 Poles

 24 24 Pol.

Nonstandard
 Minus could apply

registrations.

| REV | ISGN | DESCRIPTION | CHK. | DATE |
|-----|------|-------------|------|------|
| | | | | |



| | | |
|------|----------|--------------|
| 4 | Screw | Steel / M2.5 |
| 3 | Contact | Copper Alloy |
| 2 | Terminal | Copper Alloy |
| 1 | Body | PA66 UL94V-0 |
| ITEM | | NAME OF PART |
| DWG | DATE | U |
| CHK | DATE | S |
| APP. | DATE | T |



ON-SHORE TECHNOLOGY, INC.

Looking for pricing, stock, or lifecycle information?

Click below to explore more details on WIN SOURCE:

-  [View OSTYN210150 on WIN SOURCE](#)
-  [On Shore Technology Inc. Information](#)

Optimize Your Supply Chain with WIN SOURCE Solutions

-  Global Sourcing Solution
-  Obsolete Management
-  Cost Control Management
-  Shortage Management
-  Alternative Solution
-  Excess Inventory Management