




Product Specifications

Part Numbers Information

**Electrical Specifications**

Voltage Rating: 250VAC  
Operating Temperature: -55°C ~ 125°C

**Standards**

125mA-15A cURus   
Tested to UL 248-14 Standard. File E197390  
Tested to CSA C22.2 No.248.14 Standard. File E197390

**Interrupting Rating**

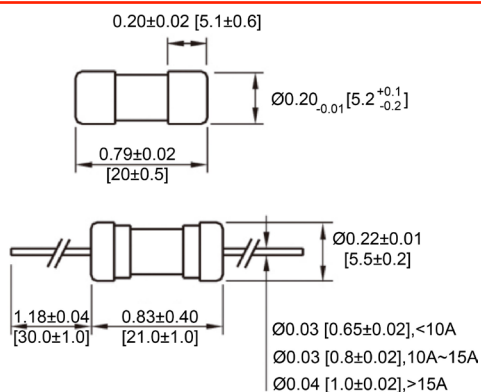
35A or 10In (whichever is larger)

**Material Specifications**

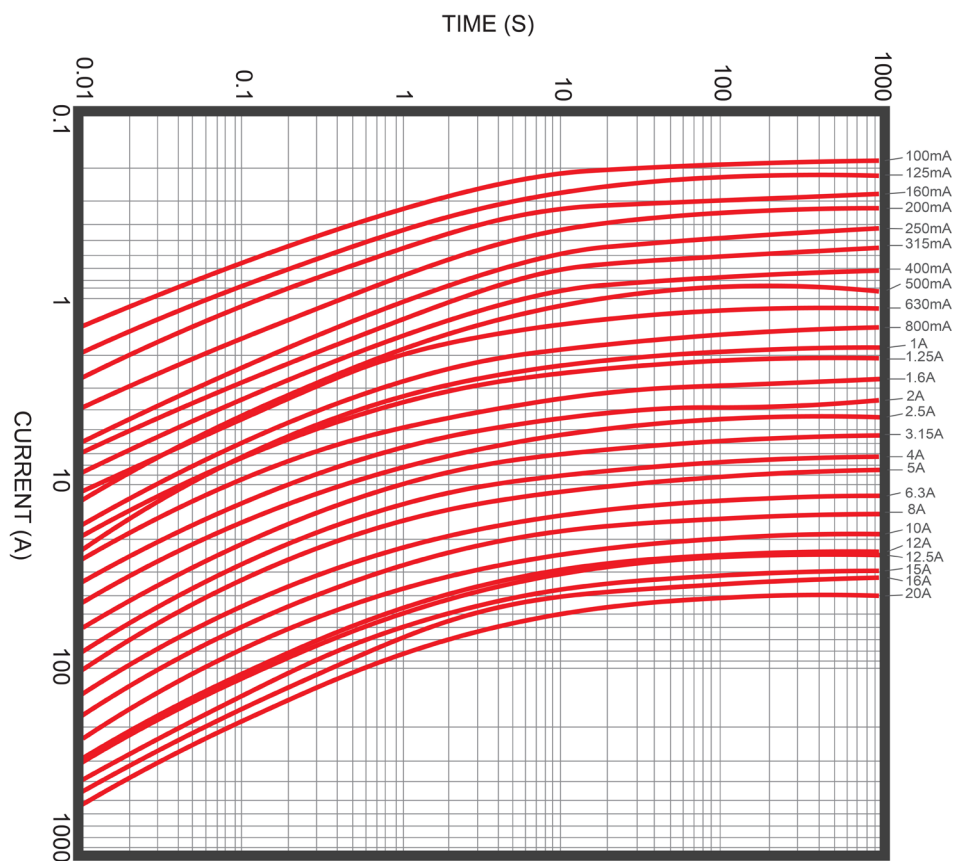
Body Material: Glass

Cartridge P/N	Axial Lead P/N	Ampere Rating	I <sup>2</sup> T Reference (A <sup>2</sup> Sec)
TSD-100mA	TSD-P-100mA	100mA	0.0223
TSD-125mA	TSD-P-125mA	125mA	0.0417
TSD-160mA	TSD-P-160mA	160mA	0.0767
TSD-200mA	TSD-P-200mA	200mA	0.1628
TSD-250mA	TSD-P-250mA	250mA	0.3808
TSD-315mA	TSD-P-315mA	315mA	0.4833
TSD-400mA	TSD-P-400mA	400mA	0.7968
TSD-500mA	TSD-P-500mA	500mA	1.362
TSD-630mA	TSD-P-630mA	630mA	1.583
TSD-800mA	TSD-P-800mA	800mA	3.004
TSD-1A	TSD-P-1A	1A	5.309
TSD-1.25A	TSD-P-1.25A	1.25A	3.879
TSD-1.6A	TSD-P-1.6A	1.6A	6.89
TSD-2A	TSD-P-2A	2A	12.33
TSD-2.5A	TSD-P-2.5A	2.5A	20.63
TSD-3.15A	TSD-P-3.15A	3.15A	36.91
TSD-4A	TSD-P-4A	4A	70.56
TSD-5A	TSD-P-5A	5A	108.7
TSD-6.3A	TSD-P-6.3A	6.3A	187.8
TSD-8A	TSD-P-8A	8A	314.9
TSD-10A	TSD-P-10A	10A	583.4
TSD-12A	TSD-P-12A	12A	958.9
TSD-12.5A	TSD-P-12.5A	12.5A	1045
TSD-15A	TSD-P-15A	15A	1668
TSD-16A	TSD-P-16A	16A	2231
TSD-20A	TSD-P-20A	20A	3010

**Mechanical Dimensions: Inches [mm]**

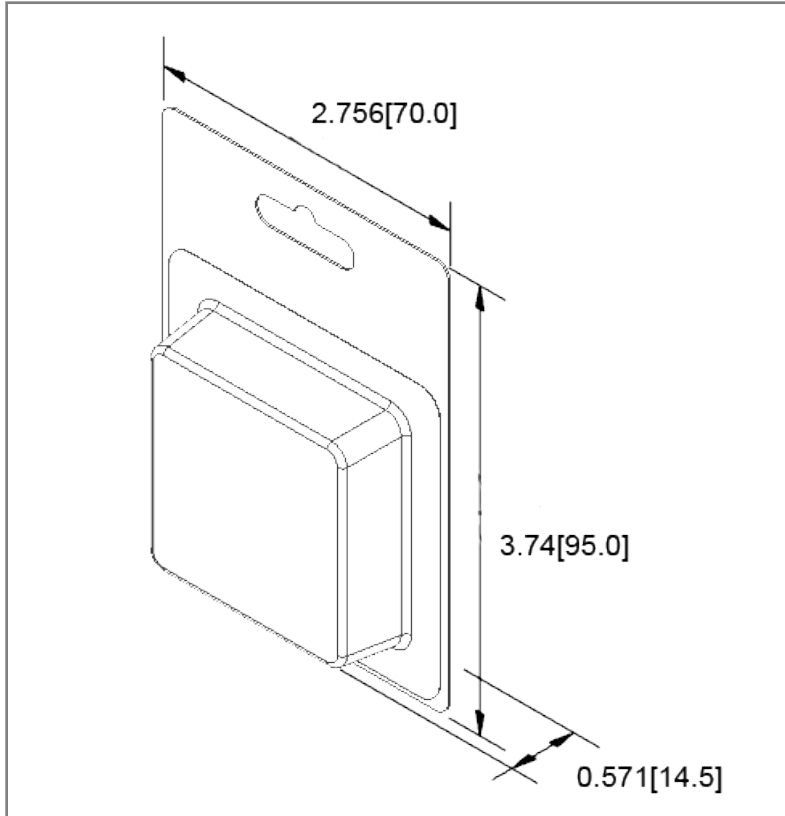


Time vs Percent of Rated Current

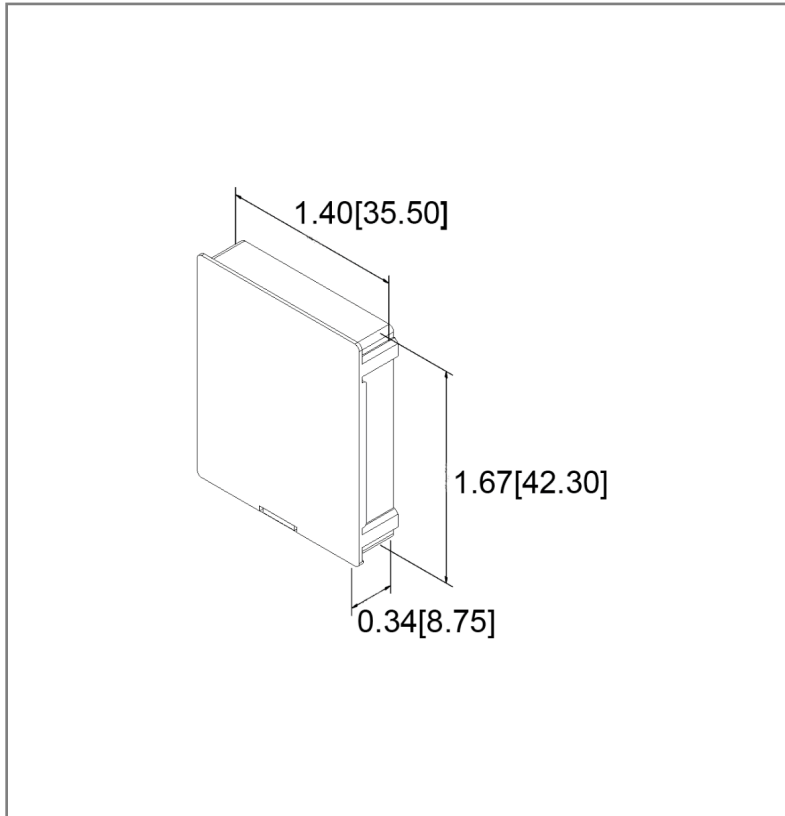


% of Rated Current	Current Rating	Min Hold Time	Max Hold Time
210%	100mA	-	2 min
275%		200ms	10s
400%		40ms	3s
1000%		10ms	300ms
210%	125mA-10A	-	2 min
275%		600ms	10s
400%		150ms	3s
1000%		20ms	300ms
210%	>10A	-	5 min
275%		600ms	15s
400%		150ms	5s
1000%		20ms	400ms

**Blister Pack: Inches [mm]**



**Pill Box: Inches [mm]**



**Retail Pack Part Number Information**

Ampere Rating	Retail Pack # Blister Card (5PCS)	Retail Pack # Pill Box (5PCS)
100mA	TSD-100mA-BP	TSD-100mA-BX
125mA	TSD-125mA-BP	TSD-125mA-BX
160mA	TSD-160mA-BP	TSD-160mA-BX
200mA	TSD-200mA-BP	TSD-200mA-BX
250mA	TSD-250mA-BP	TSD-250mA-BX
315mA	TSD-315mA-BP	TSD-315mA-BX
400mA	TSD-400mA-BP	TSD-400mA-BX
500mA	TSD-500mA-BP	TSD-500mA-BX
630mA	TSD-630mA-BP	TSD-630mA-BX
800mA	TSD-800mA-BP	TSD-800mA-BX
1A	TSD-1A-BP	TSD-1A-BX
1.25A	TSD-1.25A-BP	TSD-1.25A-BX
1.6A	TSD-1.6A-BP	TSD-1.6A-BX
2A	TSD-2A-BP	TSD-2A-BX
2.5A	TSD-2.5A-BP	TSD-2.5A-BX
3.15A	TSD-3.15A-BP	TSD-3.15A-BX
4A	TSD-4A-BP	TSD-4A-BX
5A	TSD-5A-BP	TSD-5A-BX
6.3A	TSD-6.3A-BP	TSD-6.3A-BX
8A	TSD-8A-BP	TSD-8A-BX
10A	TSD-10A-BP	TSD-10A-BX
12A	TSD-12A-BP	TSD-12A-BX
12.5A	TSD-12.5A-BP	TSD-12.5A-BX
15A	TSD-15A-BP	TSD-15A-BX
16A	TSD-16A-BP	TSD-16A-BX
20A	TSD-20A-BP	TSD-20A-BX

\* Retail packs are for cartridge style fuses only

**Rev Date of issue Revision Notes**

**Designed Approved**

H	03-06-2024	Initial Drawing	RC	OF
---	------------	-----------------	----	----

## Looking for pricing, stock, or lifecycle information?

Click below to explore more details on WIN SOURCE:

 [View TSD-3.15A on WIN SOURCE](#)

 [OptiFuse Information](#)

## Optimize Your Supply Chain with WIN SOURCE Solutions

-  Global Sourcing Solution
-  Obsolete Management
-  Cost Control Management
-  Shortage Management
-  Alternative Solution
-  Excess Inventory Management