



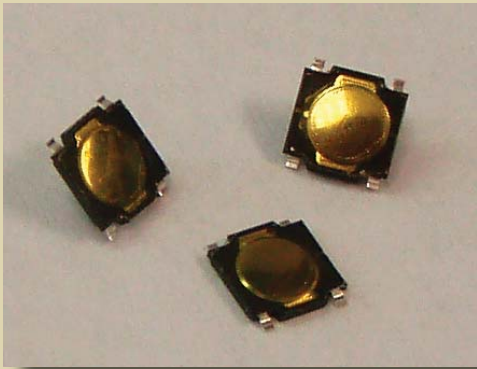
**THE DATASHEET OF  
TL3315NF250Q**



# SERIES TL3315 SWITCHES



## TACT SWITCHES SMT - LOW PROFILE



### FEATURES & BENEFITS

Very low profile  
Surface Mount

### APPLICATIONS / MARKETS

Consumer Electronics  
Audio/visual  
Medical  
Testing/Instrumentation  
Telecommunications  
Computer/Servers/Peripherals

### MECHANICAL SPECIFICATIONS

|         |   |
|---------|---|
| Force:  | 100 +/- 30 gf; 160 +/- 50 gf; 250 +/- 50 gf |
| Travel: | 0.20mm                                      |

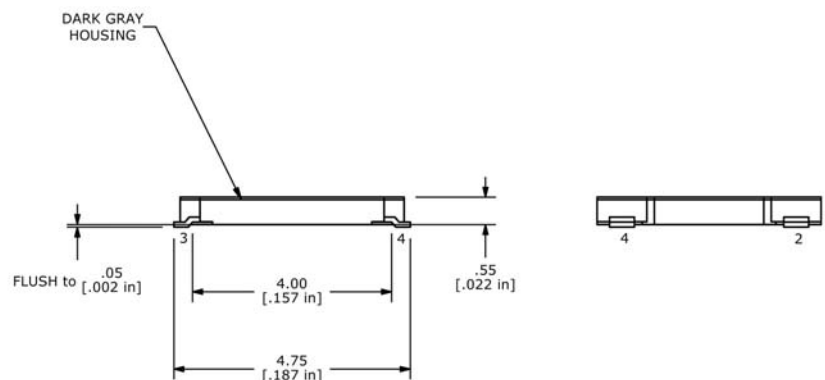
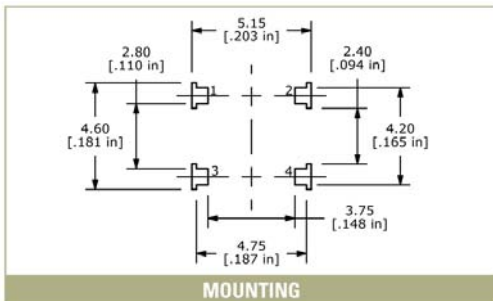
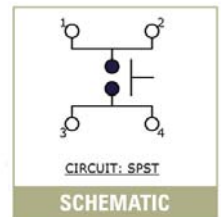
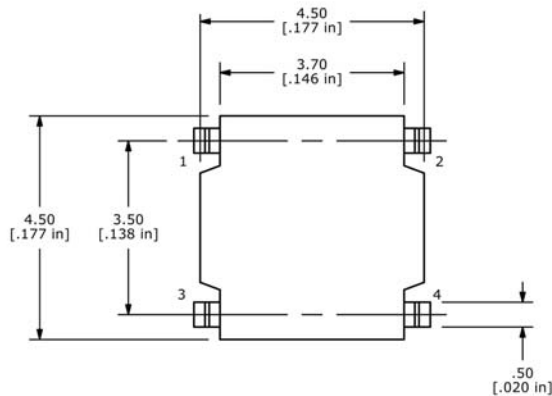
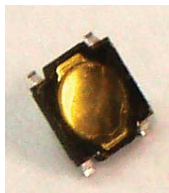
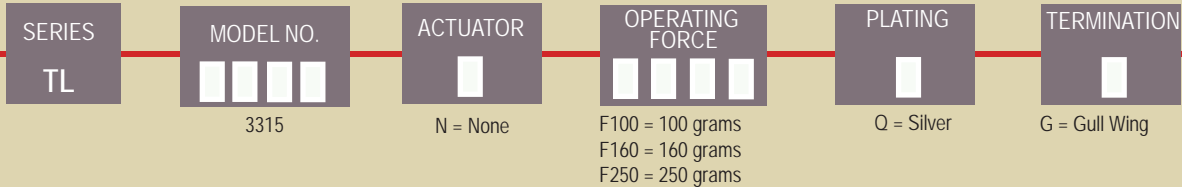
### ELECTRICAL SPECIFICATIONS

|                        |   |
|------------------------|---|
| Electrical Life:       | 1,000,000 cycles - 100 gf<br>500,000 cycles - 160 gf<br>200,000 cycles - 250 gf |
| Contact Rating:        | 50mA @ 15VDC  |
| Contact Resistance:    | 200mΩ (initial max)   |
| Insulation Resistance: | 50MΩ (Min @ 100VDC)   |
| Dielectric Strength:   | 250VAC  |

### ENVIRONMENTAL SPECIFICATIONS

|                        |                |
|------------------------|----------------|
| Operating Temperature: | -20°C to +70°C |
| Storage Temperature:   | -25°C to +80°C |

### HOW TO ORDER:



## Looking for pricing, stock, or lifecycle information?

Click below to explore more details on WIN SOURCE:

 [View TL3315NF250Q on WIN SOURCE](#)

 [E-Switch Information](#)

## Optimize Your Supply Chain with WIN SOURCE Solutions

-  Global Sourcing Solution
-  Obsolete Management
-  Cost Control Management
-  Shortage Management
-  Alternative Solution
-  Excess Inventory Management