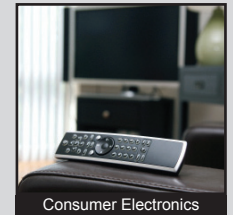
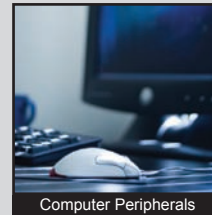


TL1015 SERIES TACT SWITCH

ANTI-VANDAL SWITCHES
 DETECTOR SWITCHES
 DIP SWITCHES
 KEYLOCK SWITCHES
 NAVIGATION SWITCHES
 PUSHBUTTON SWITCHES
 ROCKER SWITCHES
 ROTARY SWITCHES
 SLIDE SWITCHES
 SNAP ACTION SWITCHES
TACTILE SWITCHES
 TOGGLE SWITCHES
 CAP OPTIONS



APPLICATIONS / MARKETS



RoHS

SPECIFICATIONS

Electrical Rating: 50mA @ 12VDC
Life Expectancy: 200,000 cycles
Contact Resistance: 100mΩ Max. Initial
Insulation Resistance: 100 MΩ Min. at 500V
Dielectric Strength: 100VAC for 1 min.
Operating Temperature: -20°C to 70°C
Storage Temperature: -40°C to 80°C
Operating Force: 160 gf
Travel: 0.20mm
Contact Arrangement: SPST

FEATURES & BENEFITS

- Tape & Reel packaging
- Surface mount termination - top actuated
- Ultra-miniature in size

PART NUMBER CONFIGURATOR

Series	Boss	Actuation Force	Contact Plating	Termination
<input type="text" value="TL1015"/>	<input type="text" value="A - No boss"/>	<input type="text" value="F160 - 160 gf"/>	<input type="text" value="Q - Silver"/>	<input type="text" value="G - Gullwing"/>

Specifications subject to change without notice



E-SWITCH®

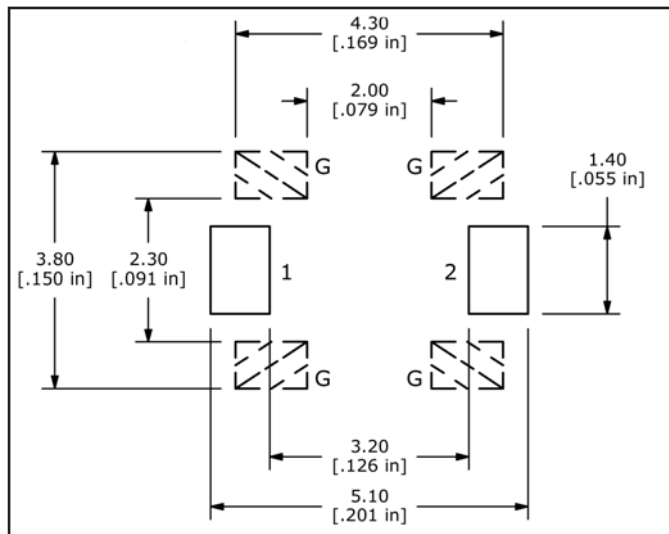
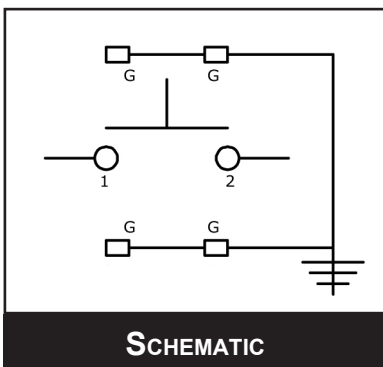
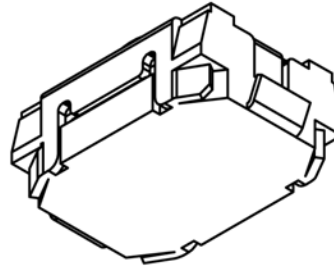
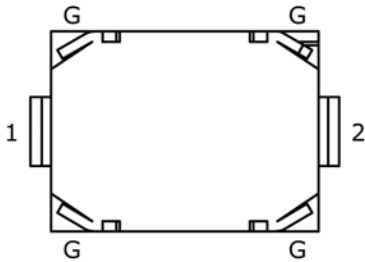
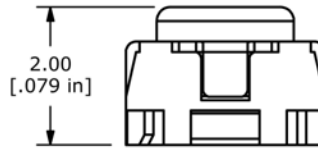
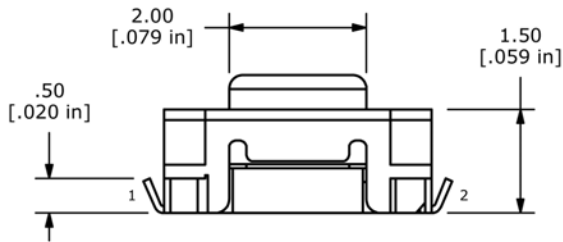
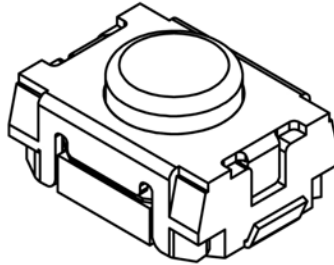
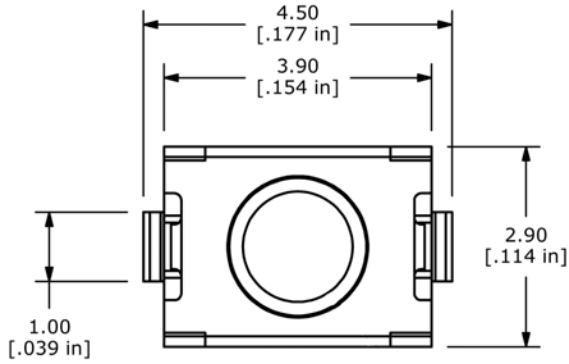
www.e-switch.com

800.867.2717

2

TL1015 SERIES TACT SWITCH

BODY DIMENSIONS



PCB LAYOUT (GROUND TERMINALS OPTIONAL)

- ANTI-VANDAL SWITCHES
- DETECTOR SWITCHES
- DIP SWITCHES
- KEYLOCK SWITCHES
- NAVIGATION SWITCHES
- PUSHBUTTON SWITCHES
- ROCKER SWITCHES
- ROTARY SWITCHES
- SLIDE SWITCHES
- SNAP ACTION SWITCHES
- TACTILE SWITCHES**
- TOGGLE SWITCHES
- CAP OPTIONS



Looking for pricing, stock, or lifecycle information?

Click below to explore more details on WIN SOURCE:

 [View TL1015BF160QG on WIN SOURCE](#)

 [E-Switch Information](#)

Optimize Your Supply Chain with WIN SOURCE Solutions

-  Global Sourcing Solution
-  Obsolete Management
-  Cost Control Management
-  Shortage Management
-  Alternative Solution
-  Excess Inventory Management