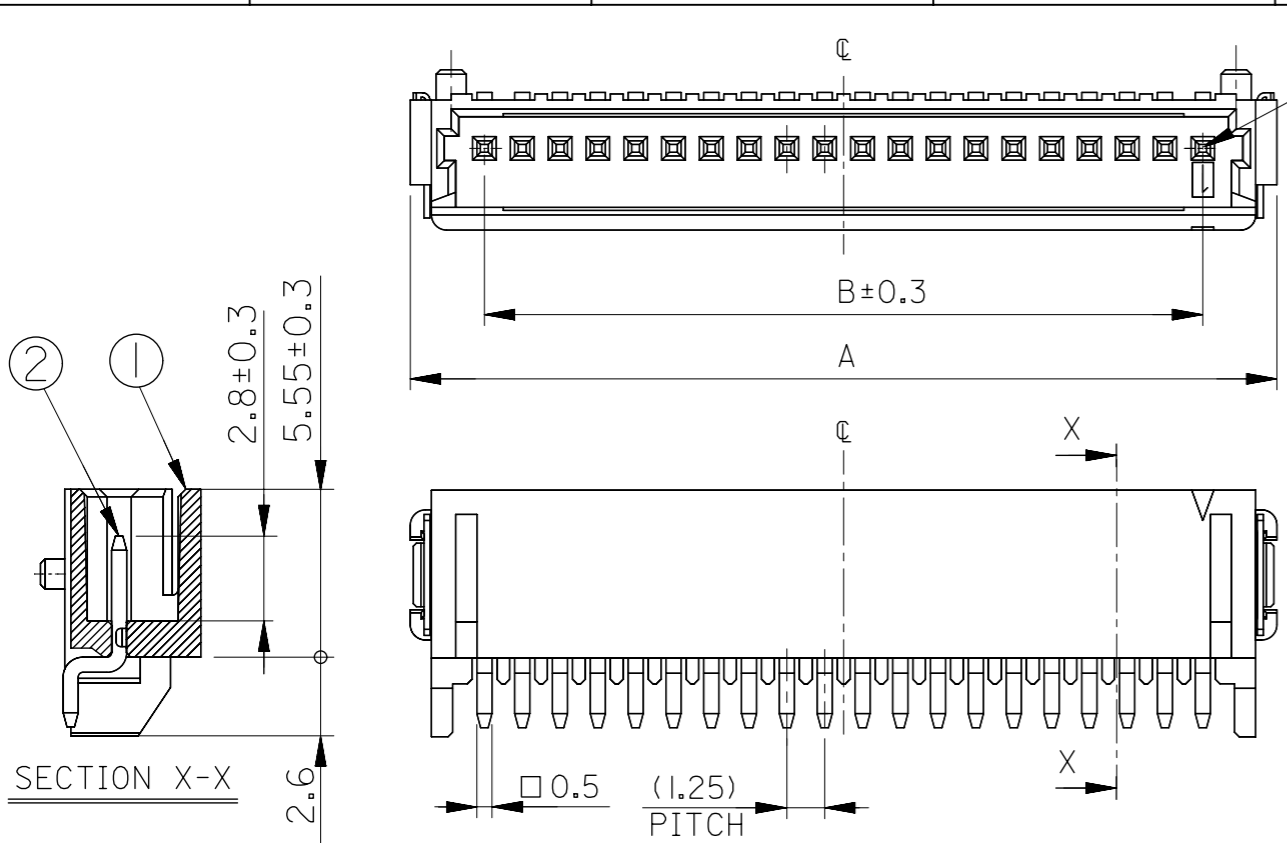


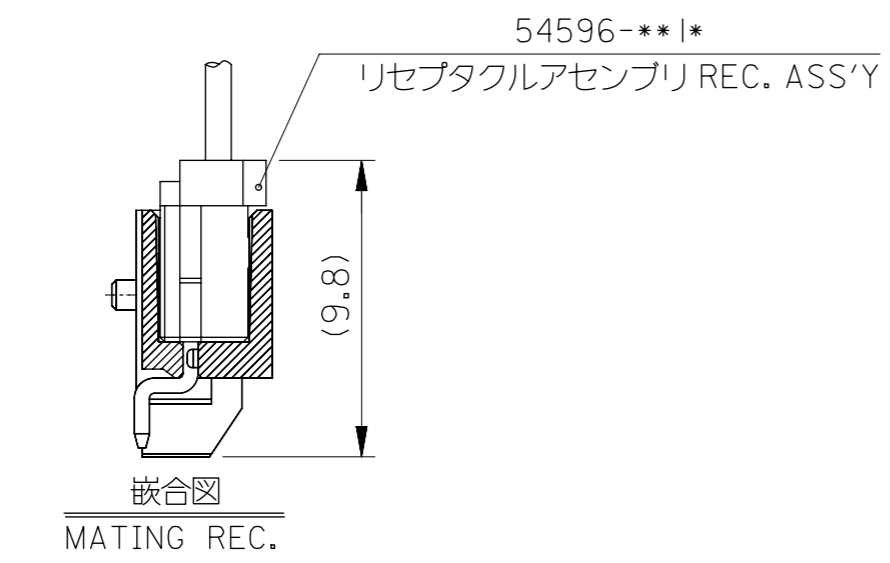
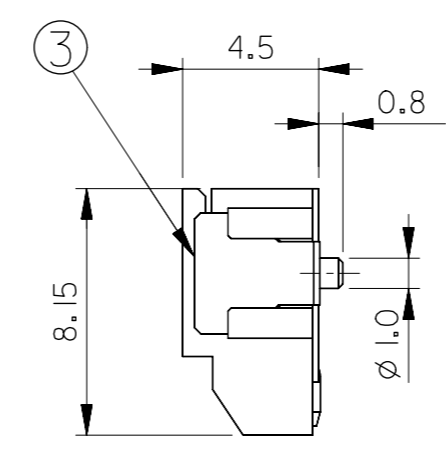


THE DATASHEET OF
554560459





SECTION X-X



嵌合図
MATING REC.

注記
NOTES

- 材料及び仕上げ：表参照
MATERIAL AND FINISH: SEE CHART
- エンボス梱包品の詳細は、554560259 PSD 000を参照のこと。
DETAILED TAPING PACKAGE, SEE 554560259 PSD 000

△ 製品番号
MATERIAL NO.
55456-****

極数 CIRCUIT SIZE (2~20)
ボス BOSS 5: 有り WITH BOSS
6: 無し WITHOUT BOSS
色 COLOR 0: 自然色 NATURAL

- 本製品は55456-**10/**30/**70/**80の鉛フリー品である。
THIS PRODUCT IS LEAD FREE OF 55456-**10/**30/**70/**80.
- ELV及びRoHS適合品
ELV AND RoHS COMPLIANT

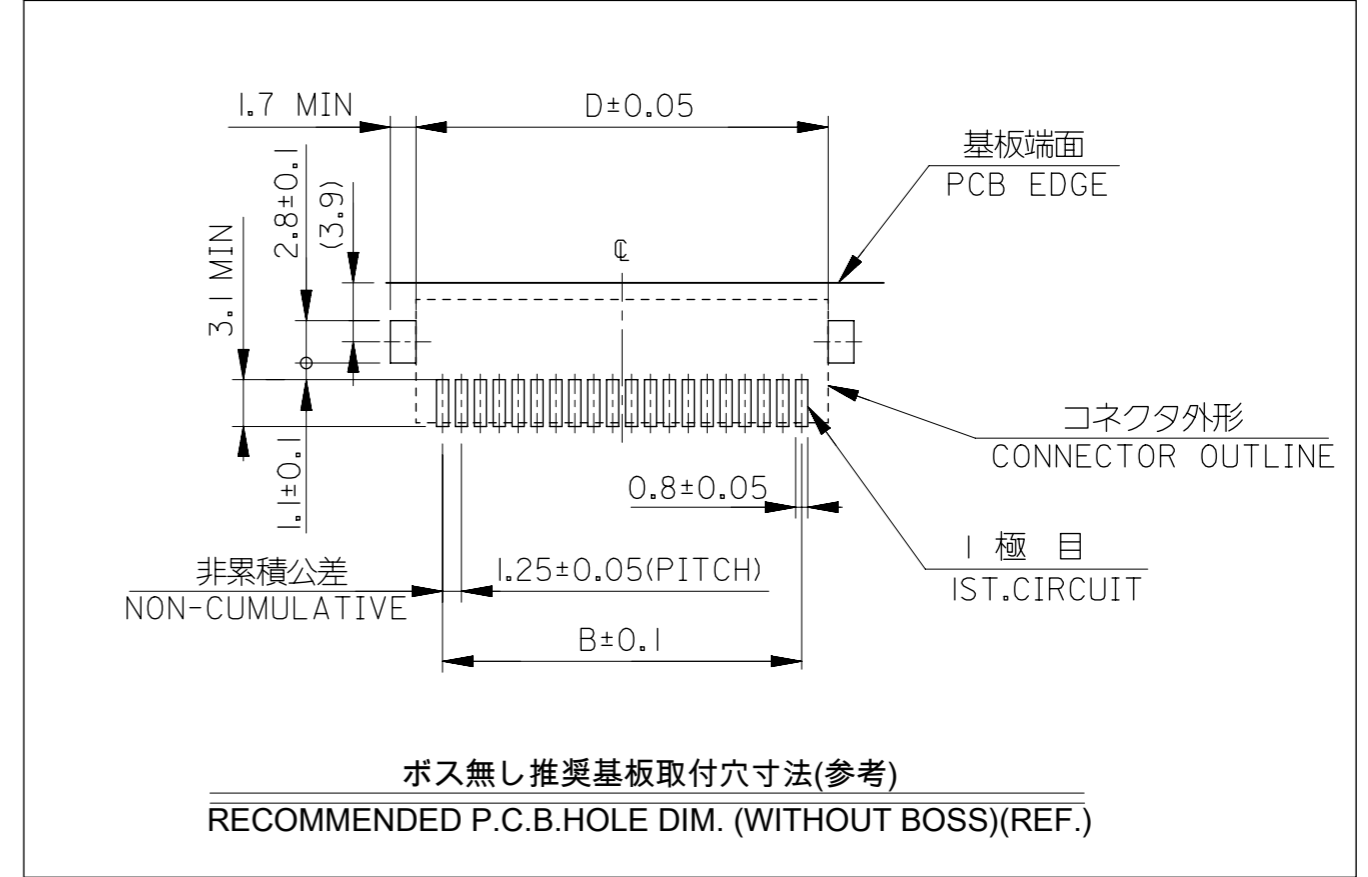
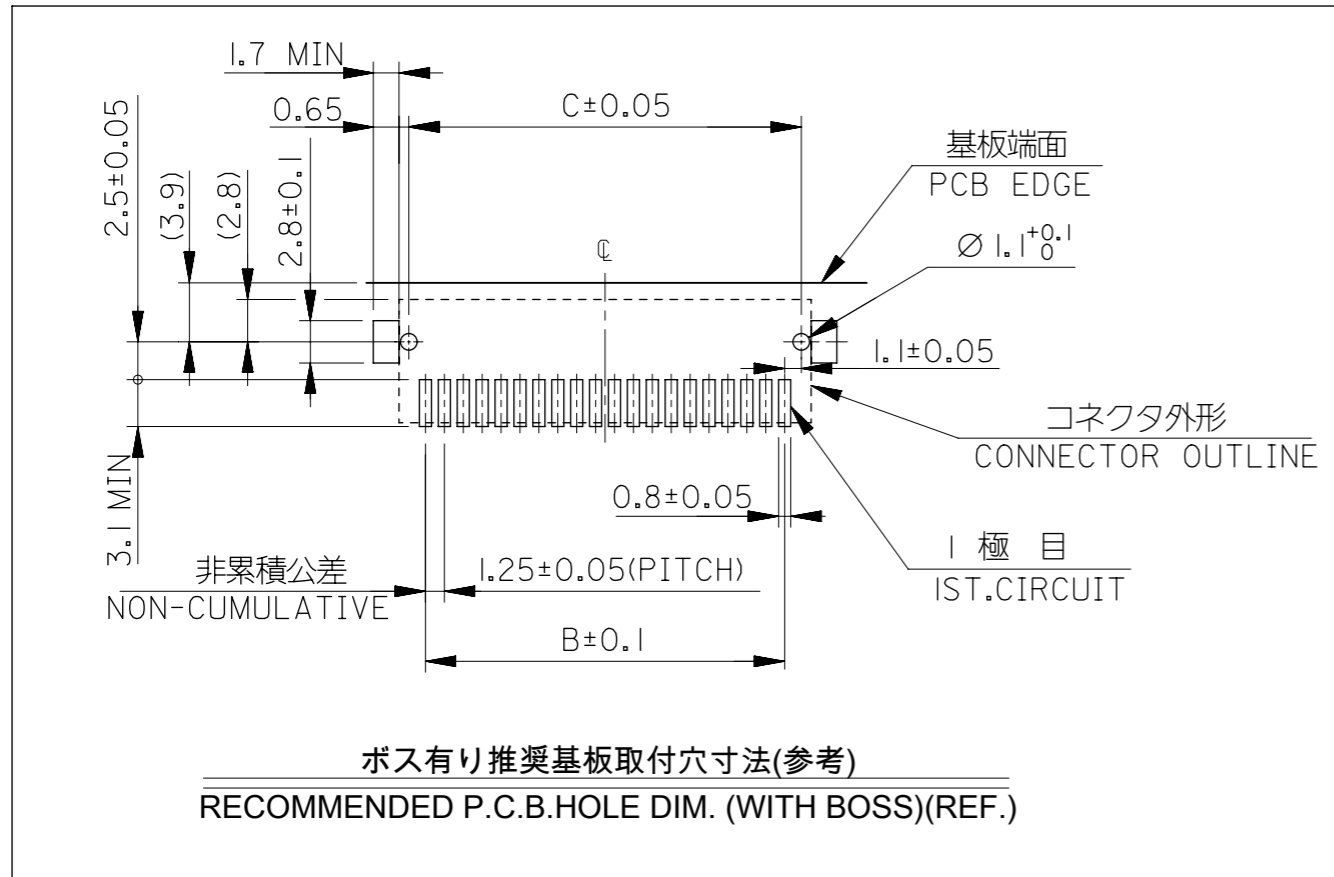
番号 NO.	名称 NAME	材料 MATERIAL	数量 QTY	仕上げ FINISH
①	ウエハー WAFER	ナイロン NYLON	1	UL94-0 色：原色 COLOR: NATURAL
②	ピン PIN	黄銅 BRASS	N	全体錫めっき PRE-TINNED
③	ネール NAIL	黄銅 BRASS	2	錫めっき TIN PLATING

ボス無しタイプ WITHOUT BOSS	ボス有りタイプ WITH BOSS
55456-**6*	55456-**5*

27.25	25.95	23.75	28.65	55456-2060	ボス無しタイプ WITHOUT BOSS 55456-**6*	55456-2050	ボス有りタイプ WITH BOSS 55456-**5*
26	24.7	22.5	27.4	55456-1960		55456-1950	
24.75	23.45	21.25	26.15	55456-1860		55456-1850	
23.5	22.2	20	24.9	55456-1760		55456-1750	
22.25	20.95	18.75	23.65	55456-1660		55456-1650	
21	19.7	17.5	22.4	55456-1560		55456-1550	
19.75	18.45	16.25	21.15	55456-1460		55456-1450	
18.5	17.2	15	19.9	55456-1360		55456-1350	
17.25	15.95	13.75	18.65	55456-1260		55456-1250	
16	14.7	12.5	17.4	55456-1160		55456-1150	
14.75	13.45	11.25	16.15	55456-1060		55456-1050	
13.5	12.2	10	14.9	55456-0960		55456-0950	
12.25	10.95	8.75	13.65	55456-0860		55456-0850	
11	9.7	7.5	12.4	55456-0760		55456-0750	
9.75	8.45	6.25	11.15	55456-0660		—/—	
8.5	7.2	5	9.9	55456-0560		55456-0550	
7.25	5.95	3.75	8.65	55456-0460		55456-0450	
6	4.7	2.5	7.4	55456-0360		—/—	
4.75	3.45	1.25	6.15	55456-0260		55456-0250	
D	C	B	A	△ MATERIAL NO.		MODEL NO.	

THIS DRAWING CONTAINS INFORMATION THAT IS PROPRIETARY TO MOLEX ELECTRONIC TECHNOLOGIES, LLC AND SHOULD NOT BE USED WITHOUT WRITTEN PERMISSION

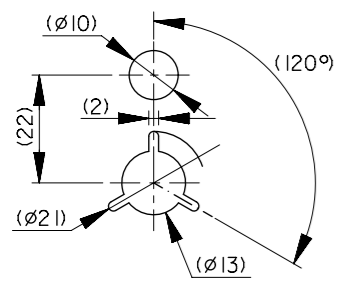
REDRAWN AND REVISED EC NO: 112233 DRWN: QHE31 CHK'D: SAKIYAMA APPR: TKANEKO	2017/01/10	2017/01/16	2017/01/16	GENERAL TOLERANCES (UNLESS SPECIFIED) ANGULAR TOL ± 3.0 ° 4 PLACES ± 0.2 3 PLACES ± 0.2 2 PLACES ± 0.2 1 PLACE ± 0.2 0 PLACES ± 0.2 DRAFT WHERE APPLICABLE MUST REMAIN WITHIN DIMENSIONS	DIMENSION UNITS	SCALE		
	DRWN BY	DATE	DATE		MM	4:1		
	CHK'D BY	DATE	DATE		QHE31	2017/01/10		
	APPR BY	DATE	DATE		SAKIYAMA	2017/01/16		
REV	DATE	DATE	DATE	DATE	DRAWING SIZE	THIRD ANGLE PROJECTION	PRODUCT CUSTOMER DRAWING	
A					A3		SERIES: 55456 MATERIAL NUMBER: SEE TABLE OF SHEET 1 CUSTOMER:	
RELEASE STATUS		RELEASE DATE		DOCUMENT NUMBER: 554560250		DOC TYPE: PSD	DOC PART: 000	SHEET NUMBER: 1 OF 2



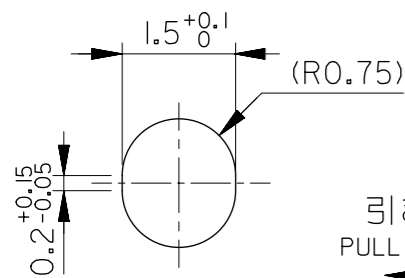
THIS DRAWING CONTAINS INFORMATION THAT IS PROPRIETARY TO MOLEX ELECTRONIC TECHNOLOGIES, LLC AND SHOULD NOT BE USED WITHOUT WRITTEN PERMISSION

REDRAWN AND REVISED EC NO: 112233 DRWN: QHE31 CHK'D: SAKIYAMA APPR: TKANEKO	2017/01/10	2017/01/16	GENERAL TOLERANCES (UNLESS SPECIFIED) ANGULAR TOL ± 3.0 ° 4 PLACES ± 0.2 3 PLACES ± 0.2 2 PLACES ± 0.2 1 PLACE ± 0.2 0 PLACES ± 0.2 DRAFT WHERE APPLICABLE MUST REMAIN WITHIN DIMENSIONS	DIMENSION UNITS	SCALE		
	2017/01/10	2017/01/16		MM	4:1		
	DRWN BY	DATE		QHE31	2017/01/10		MINI MI2 1-ROW R/A SMT ASS'Y
	CHK'D BY	DATE		SAKIYAMA	2017/01/16		
	APPR BY	DATE		TKANEKO	2017/01/16		
PRODUCT CUSTOMER DRAWING		SERIES	MATERIAL NUMBER	CUSTOMER			
		55456	SEE TABLE OF SHEET 1				
DOCUMENT NUMBER		DOC TYPE	DOC PART	SHEET NUMBER			
554560250		PSD	000	2 OF 2			

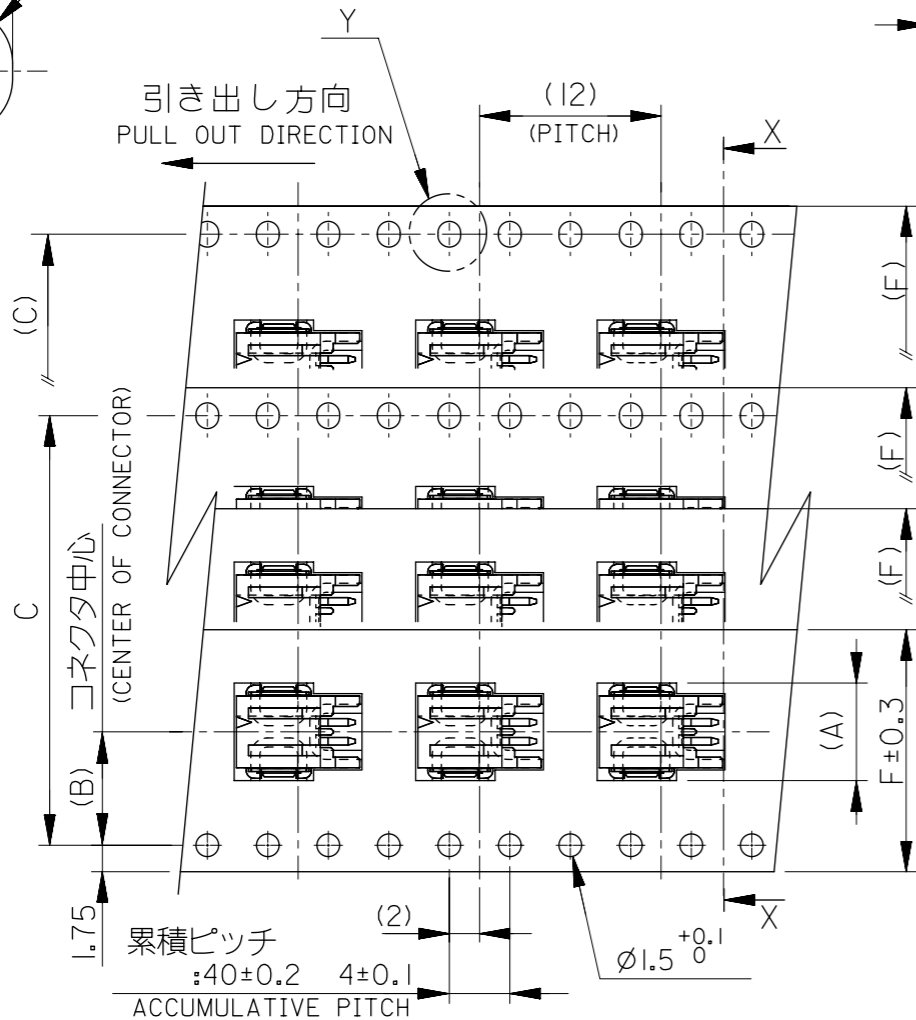
RELEASE STATUS	RELEASE DATE
----------------	--------------



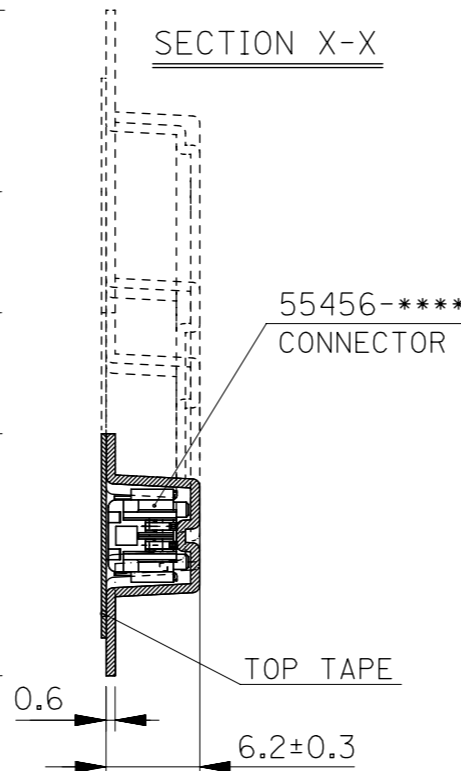
DETAIL Z



DETAIL Y
(SCALE 10:1)



SECTION X-X

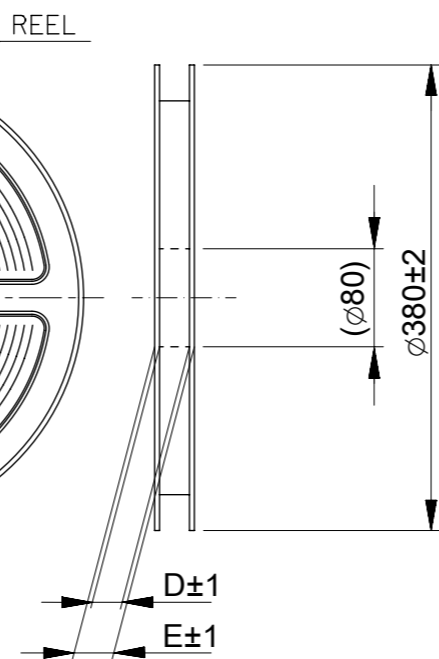


引き出し方向
PULL OUT DIRECTION

引き出し方向
PULL OUT DIRECTION

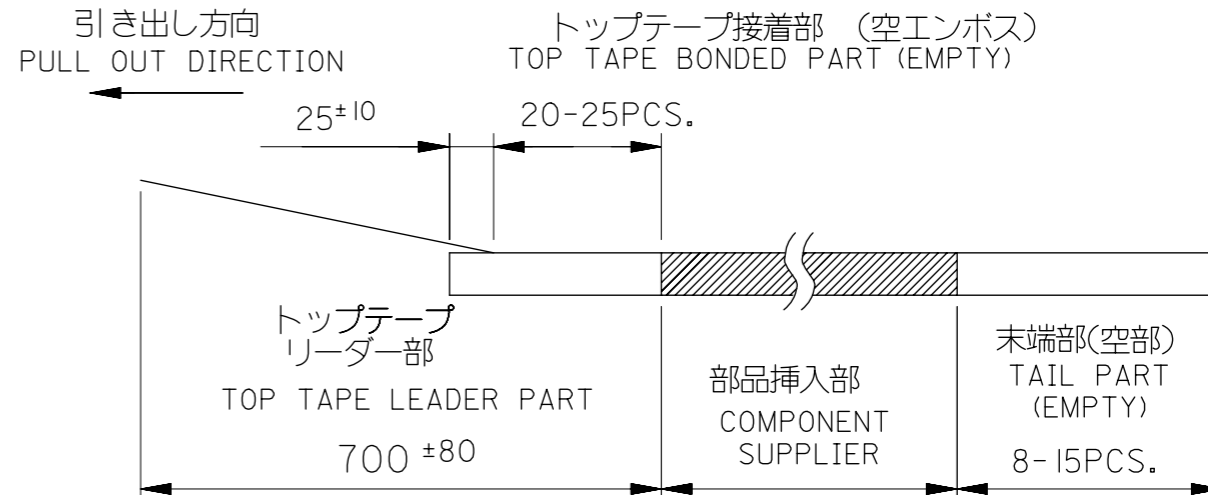
コネクタ中心
(CENTER OF CONNECTOR)

累積ピッチ
:40±0.2 4±0.1
ACCUMULATIVE PITCH

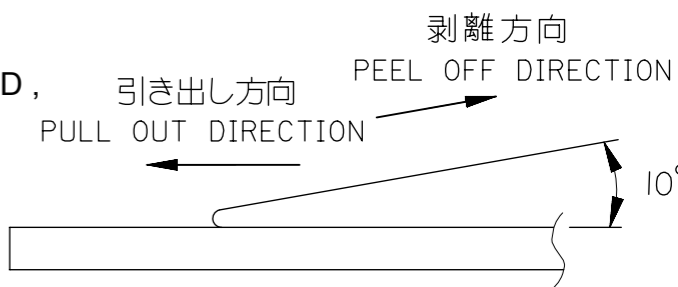


注記
NOTES

- 製品番号55456-****の詳細寸法については、554560250 PSD 000を参考下さい。
IN THE PACKAGE, PART NO. 55456-**** DETAILED DIMENSION, SEE 554560250 PSD 000
- 梱包数量 : 1250個/リール
NUMBER OF CONNECTORS : 1250 PCS/REEL
- リードテープ長さ
LEAD TAPE LENGTH



- トップテープの剥離強度 : 0.1~1.3N (10~130 gf)(剥離方向は下図参照)
剥離速度 : 300mm/min(参考)
PEEL-OFF FORCE OF TOP TAPE : 0.1~1.3N (10~130 gf)(PEELING DIRECTION AS SHOWN IN FOLLOWING FIG.) PEEL-OFF SPEED : 300mm/min(REF.)
尚、本規格値は、出荷時に適用。(但し、輸送時に剥離が発生しない事。)
THIS REQUIREMENT SHOULD BE APPLIED AT SHIPMENT (PEEL OFF SHOULD NOT BE ALLOWED, DURING TRANSPORTATION)



- 材料
MATERIAL
キャリアテープ : ポリプロピレン
CARRIER TAPE : POLYPROPYLENE
トップテープ : PET, PE, PEF
TOP TAPE : PET, PE, PEF
リール : ポリスチレン
REEL : POLYSTYRENE
- 本製品は55456-**19/**39/**79/**89の鉛フリー品である。
THIS PRODUCT IS LEAD FREE OF 55456-**19/**39/**79/**89.
- ELV及びRoHS適合品
ELV AND RoHS COMPLIANT

THIS DRAWING CONTAINS INFORMATION THAT IS PROPRIETARY TO MOLEX ELECTRONIC TECHNOLOGIES, LLC AND SHOULD NOT BE USED WITHOUT WRITTEN PERMISSION									
DIMENSION UNITS		SCALE		CURRENT REV DESC: OBSOLETE PART NO				molex	
mm		2:1							
GENERAL TOLERANCES (UNLESS SPECIFIED)									
ANGULAR TOL		± 3.0°		EC NO: 611754		2018/11/30		MINI M12 1-ROW R/A SMT EMBOSSED TAPE PACKAGE	
4 PLACES		± 0.2		DRWN: AKUMAR19		2019/03/26		PRODUCT CUSTOMER DRAWING	
3 PLACES		± 0.2		CHK'D: GGA		2019/03/26		DOCUMENT NUMBER	
2 PLACES		± 0.2		APPR: GGA		2019/03/26		554560259	
1 PLACE		± 0.2		INITIAL REVISION:		2017/01/05		DOC TYPE	
0 PLACES		± 0.2		DRWN: QHE31		2017/01/16		PSD 000	
DRAFT WHERE APPLICABLE MUST REMAIN WITHIN DIMENSIONS		THIRD ANGLE PROJECTION		DRAWING		SERIES		REVISION	
		A3-SIZE		55456		MATERIAL NUMBER		CUSTOMER	
		SEE TABLE				SHEET NUMBER		1 OF 2	

F	E	D	C	B	A	10	9	8	7	6	5	4	3	2	1
44	49.4	45.4	40.4	20.2	28.95	55456-2060	55456-2069	55456-2099	55456-2050	55456-2059	—#—	20			
					27.7	55456-1960	55456-1969	—#—	55456-1950	55456-1959	—#—	19			
					26.45	55456-1860	55456-1869	—#—	55456-1850	—#—	—#—	18			
					25.2	55456-1760	55456-1769	—#—	55456-1750	55456-1759	—#—	17			
					23.95	55456-1660	—#—	—#—	55456-1650	—#—	—#—	16			
32	37.4	33.4	28.4	14.2	22.7	55456-1560	55456-1569	—#—	55456-1550	55456-1559	—#—	15			
					21.45	55456-1460	55456-1469	—#—	55456-1450	55456-1459	—#—	14			
					20.2	55456-1360	55456-1369	—#—	55456-1350	—#—	—#—	13			
					18.95	55456-1260	55456-1269	—#—	55456-1250	55456-1259	—#—	12			
24	29.4	25.4	—#—	11.5	17.7	55456-1160	55456-1169	—#—	55456-1150	—#—	—#—	11			
					16.45	55456-1060	55456-1069	—#—	55456-1050	55456-1059	—#—	10			
					15.2	55456-0960	55456-0969	—#—	55456-0950	55456-0959	—#—	9			
					13.95	55456-0860	55456-0869	—#—	55456-0850	55456-0859	—#—	8			
					12.7	55456-0760	55456-0769	—#—	55456-0750	55456-0759	—#—	7			
					11.45	55456-0660	55456-0669	—#—	—#—	—#—	—#—	6			
					10.2	55456-0560	55456-0569	—#—	55456-0550	55456-0559	—#—	5			
16	21.4	17.4	—#—	7.5	8.95	55456-0460	55456-0469	—#—	55456-0450	55456-0459	55456-0429	4			
					7.7	55456-0360	55456-0369	—#—	—#—	—#—	—#—	3			
F キャリアー テープ幅 TAPE WIDTH	E	(D)	(C)	(B)	(A)	CONNECTOR	エンボス梱包品 製品番号 MATERIAL NO. EMBS TAPE PKG	ハイバリア梱包品 製品番号 MATERIAL NO. HBB PKG	CONNECTOR	エンボス梱包品 製品番号 MATERIAL NO. EMBS TAPE PKG	ハイバリア梱包品 製品番号 MATERIAL NO. HBB PKG	極数 CKT.SIZE			
							MODEL NO. :55456-**69	MODEL NO. :55456-**99		MODEL NO. :55456-**59	MODEL NO. :55456-**29				
ボス無し WITHOUT BOSS								ボスあり WITH BOSS							

THIS DRAWING CONTAINS INFORMATION THAT IS PROPRIETARY TO MOLEX ELECTRONIC TECHNOLOGIES, LLC AND SHOULD NOT BE USED WITHOUT WRITTEN PERMISSION											
DIMENSION UNITS mm		SCALE 1:1		CURRENT REV DESC: OBSOLETE PART NO						molex	
GENERAL TOLERANCES (UNLESS SPECIFIED)				EC NO: 611754							
ANGULAR TOL ± 3.0°		4 PLACES ± 0.2		DRWN: AKUMAR19		2018/11/30		MINI M12 1-ROW R/A SMT EMBOSS TAPE PACKAGE			
3 PLACES ± 0.2		2 PLACES ± 0.2		CHK'D: GGA		2019/03/26		PRODUCT CUSTOMER DRAWING			
1 PLACE ± 0.2		0 PLACES ± 0.2		APPR: GGA		2019/03/26		DOCUMENT NUMBER			
DRAFT WHERE APPLICABLE MUST REMAIN WITHIN DIMENSIONS				THIRD ANGLE PROJECTION		DRAWING		SERIES		MATERIAL NUMBER	
				A3-SIZE		55456		CUSTOMER		SHEET NUMBER	
								554560259		2 OF 2	

Looking for pricing, stock, or lifecycle information?

Click below to explore more details on WIN SOURCE:

 [View 554560459 on WIN SOURCE](#)

 [Molex, LLC Information](#)

Optimize Your Supply Chain with WIN SOURCE Solutions

-  Global Sourcing Solution
-  Obsolete Management
-  Cost Control Management
-  Shortage Management
-  Alternative Solution
-  Excess Inventory Management