



# THE DATASHEET OF 221AMA10R

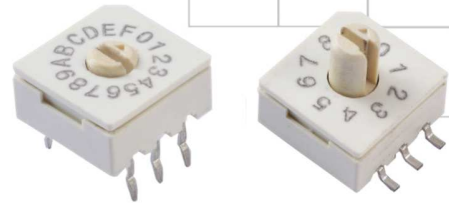
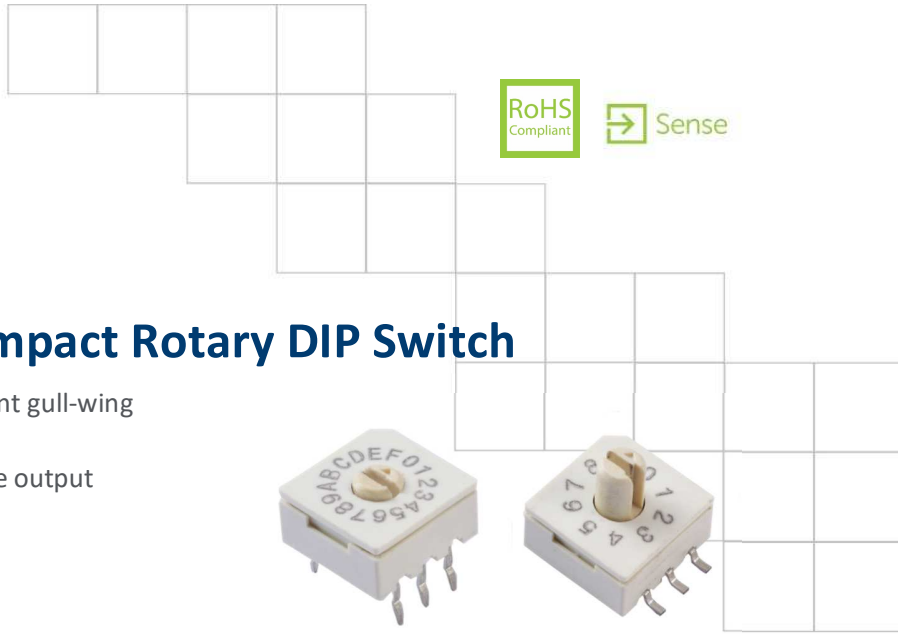




# Series 221

## 10x10mm IP67 Rated Compact Rotary DIP Switch

- Standard through hole and surface mount gull-wing terminal configurations
- Binary coded decimal, Hexadecimal code output
- IP67 protection
- Clockwise or counterclockwise rotation
- Suitable for board spray washing



### Ordering Information

Series	Terminal Type	Actuator Height	Number of Position	Packaging Type
221	AM	A	10	R

Code	Spec.
AM	Surface mount gull wing
AD	Standard through hole

Code	Spec.
A	Flush arrow rotor & slotted rotor
B	Arrow & slotted, 4.32mm height shaft
C	Arrow & slotted, 6.86mm height shaft

Code	Spec.
10	10 Positions
16	16 Positions

Code	Spec.
BLANK	Tube packaging, through hole switch
R	Tape & reel packaging (surface mount only)

Notes: Contact CTS for other common features not listed.



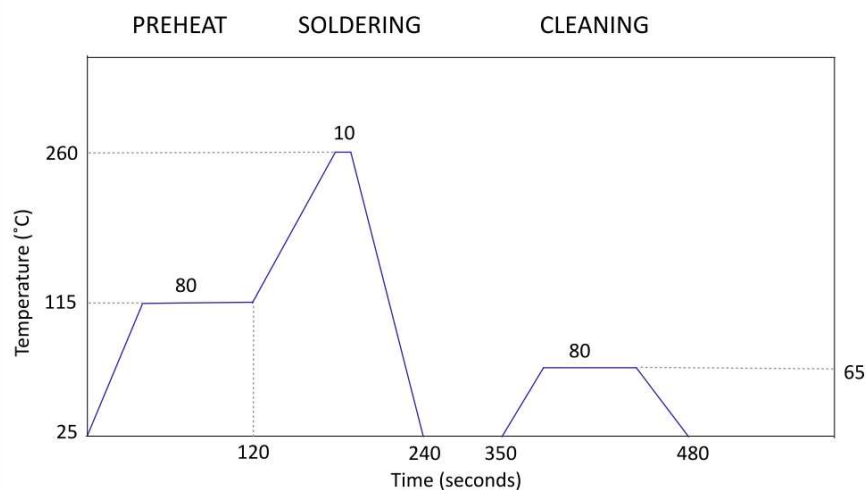
### Electrical Specifications

Parameter	Conditions & Remarks	Min	Max	Unit
Output	Binary coded decimal Hexadecimal		10 16	position
Contact Resistance			80	milliohms
Insulation Resistance	Between insulated terminals	1000		megohms
Dielectric Strength	350 Vac between adjacent switches		1	minute
Actuation Life			20,000	steps
Nonswitching Rating			100	mA
			50	Vdc
Load		1 $\mu$ A 20m		VDC

### Mechanical and Environmental

Soldering	Maximum reflow temperature, 260°C for 10 seconds Maximum wave temperature, 260°C for 10 seconds Maximum manual temperature, 350°C for 5 seconds
RoHS	Lead-Free. Fully compliant to RoHS
Rotational Torque:	144~432 gf-cm
Waterproof Grade	IP67
Marking:	Special top marking available-consult CTS
Packaging :	Standard anti-static tube packaging for through hole terminal Standard tape and reel packaging for gull wing terminal
Operating Temperature Range:	-40°C to +85°C
Storage Temperature Range:	-40°C to +85°C

### Soldering Profile



### Mechanical Specifications

Figure 1 – Surface Mount Gull Wing

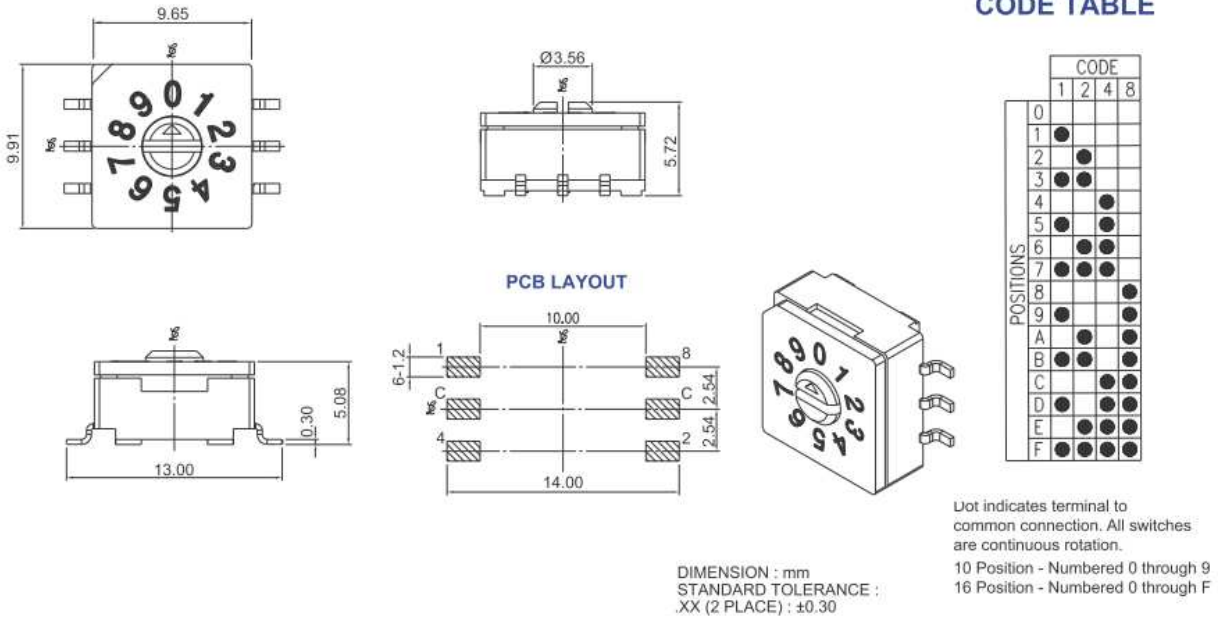
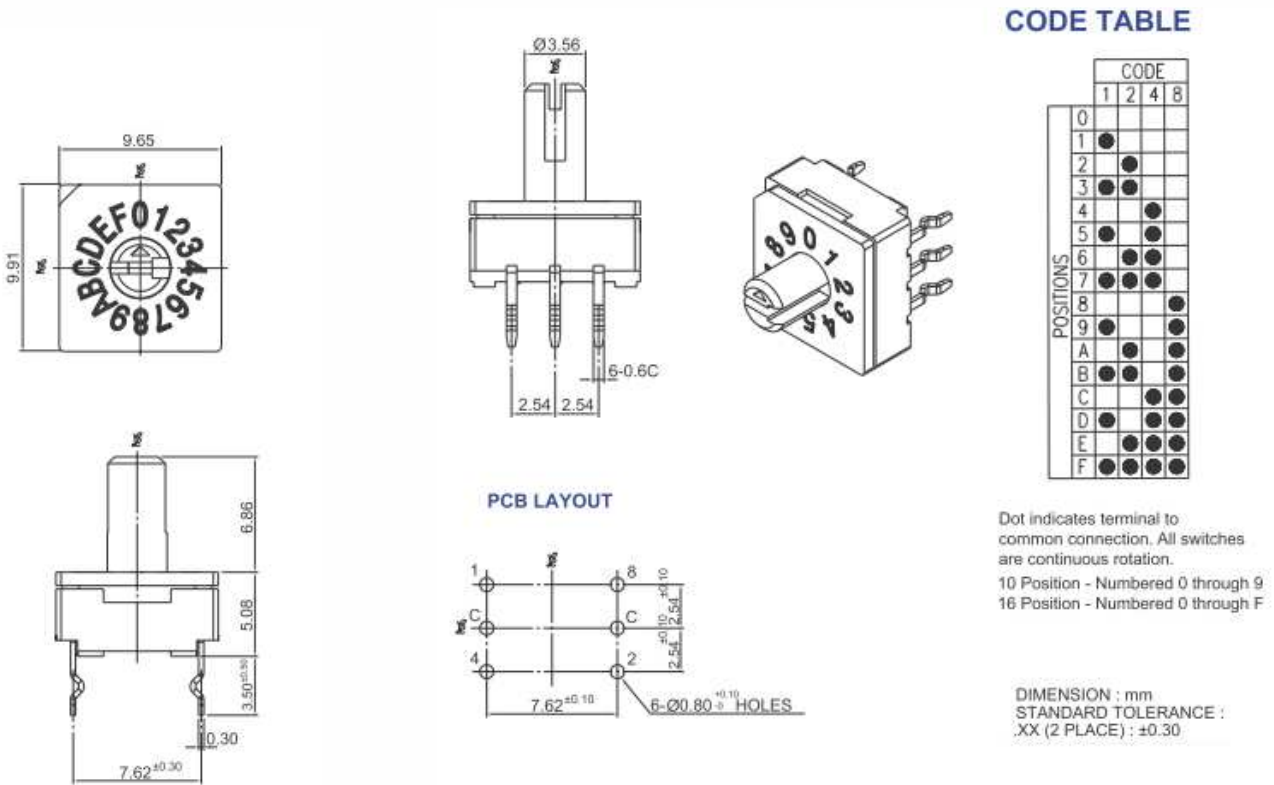
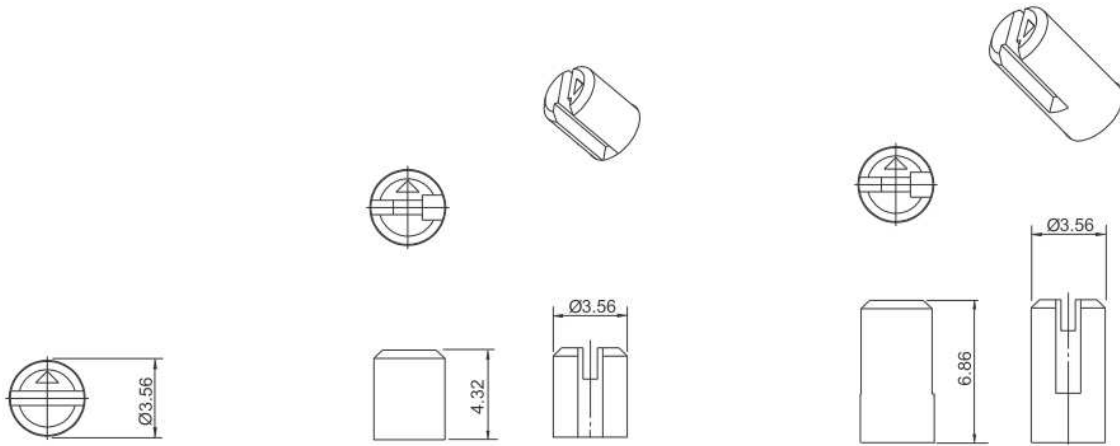


Figure 2 – Standard Through Hole





**A: FLUSH ARROW & SLOTTED ROTOR**

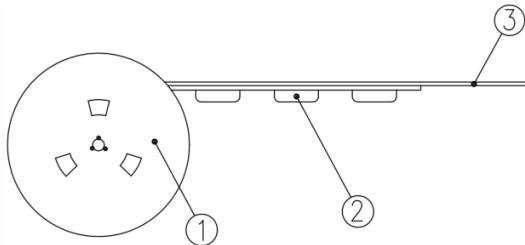
**B: ARROW & SLOTTED SHAFT**

**C: ARROW & SLOTTED SHAFT**

## Packing: Tape and Reel

The packing specifications:

- Structure and materials:

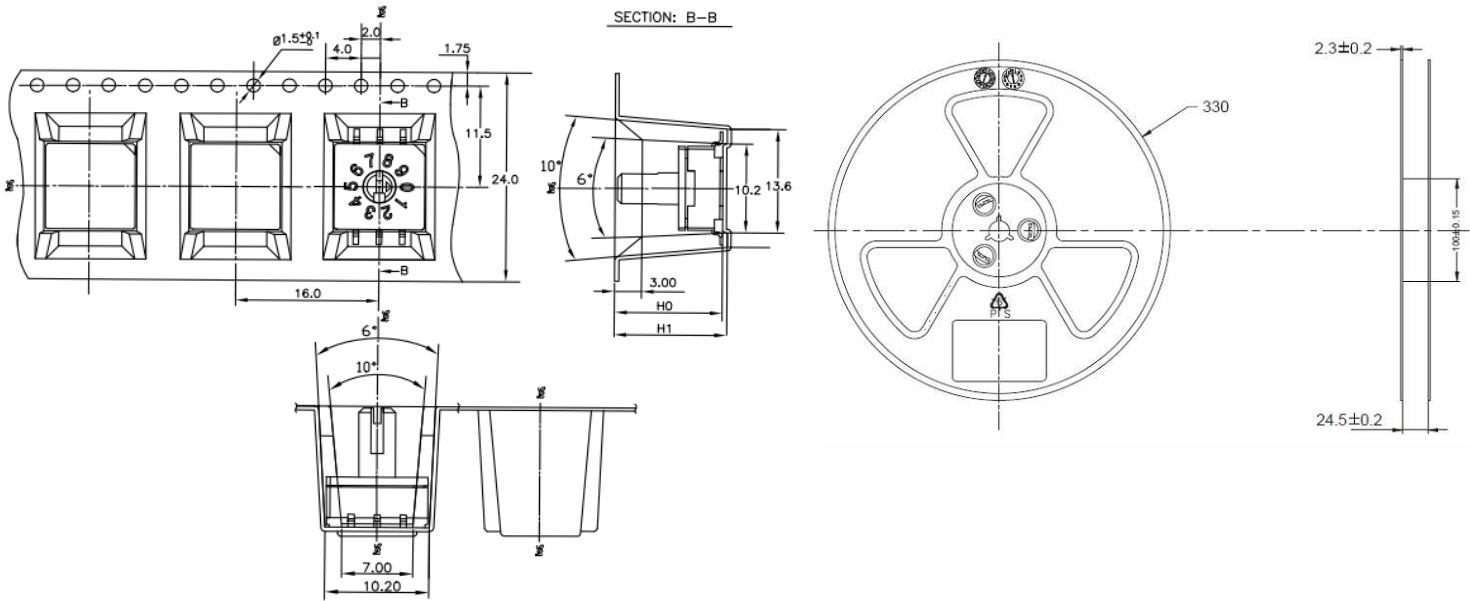


No	PART NAME	MATERIAL
①	REEL	POLYSTYRENE
②	CARRIER TAPE	POLYSTYRENE
③	COVER TAPE	POLYESTER

- More than 10 empty pockets should remain at each end of the carrier tape for each reel.
- Shortage of less than 10 pcs a reel is acceptable but no more than 3 consecutive empty pockets are allowed.
- Stripping strength of cover tape is between 10 gf to 130 gf and stripping angle should be within 165°~180°.
- The product in the pocket of carrier tape should be placed in a specified correct position.
- Tape and reel per EIA-481.
- Dimensions:



Series 221  
Rotary DIP Switch





Unit: mm

CTS P/N	H0	H1	Product total height	Package quantity (Pcs/reel)
221AMAxxR	5.92	6.42	5.72	700
221AMBxxR	9.60	10.10	9.40	450
221AMCxxR	12.14	12.64	11.94	350

## Looking for pricing, stock, or lifecycle information?

Click below to explore more details on WIN SOURCE:

-  [View 221AMA10R on WIN SOURCE](#)
-  [CTS Electrocomponents Information](#)

## Optimize Your Supply Chain with WIN SOURCE Solutions

-  Global Sourcing Solution
-  Obsolete Management
-  Cost Control Management
-  Shortage Management
-  Alternative Solution
-  Excess Inventory Management