

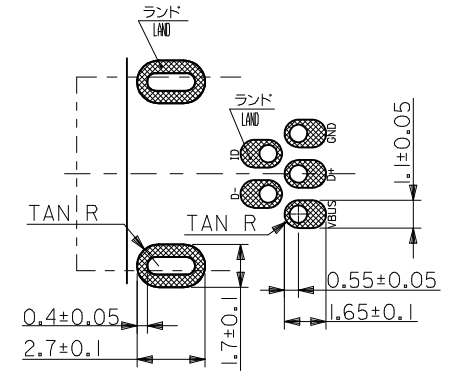
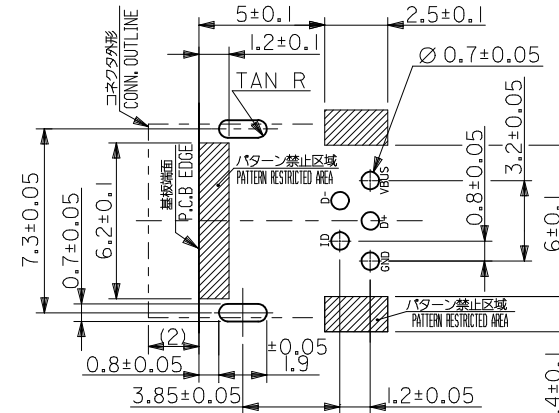
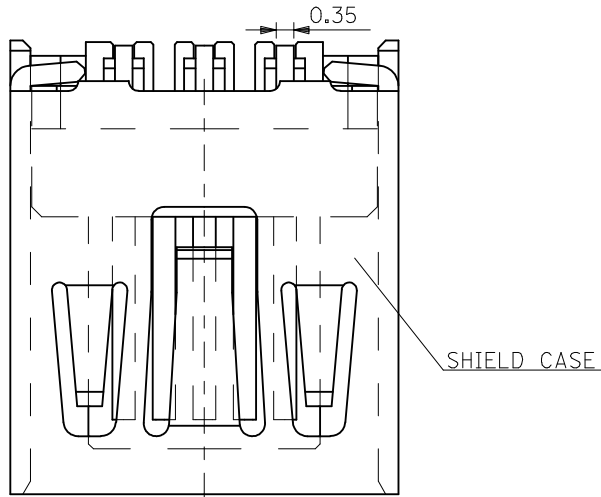


**THE DATASHEET OF**  
**0548190519+**

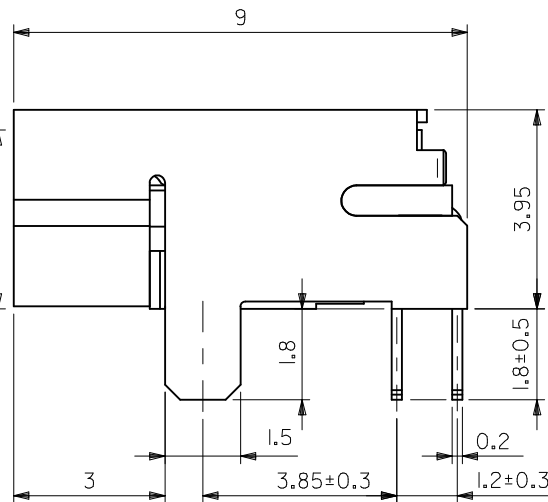
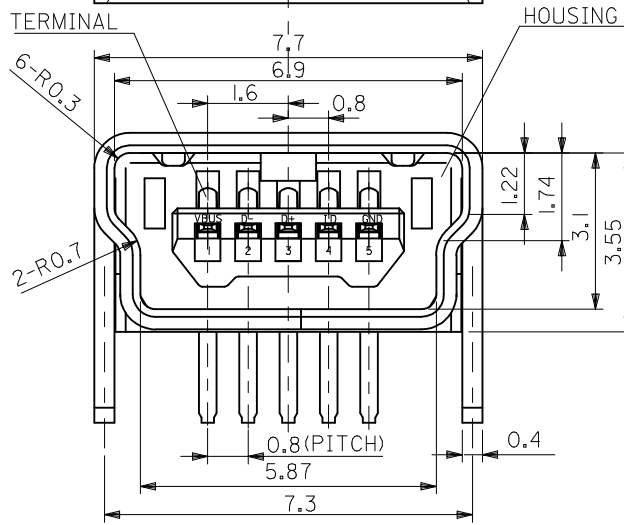


コネクタ実装側 (CONNECTOR MOUNT SIDE)

逆側 (REVERSE SIDE)



推奨基板寸法  
RECOMMENDED P.C.B. PATTERN LAYOUT

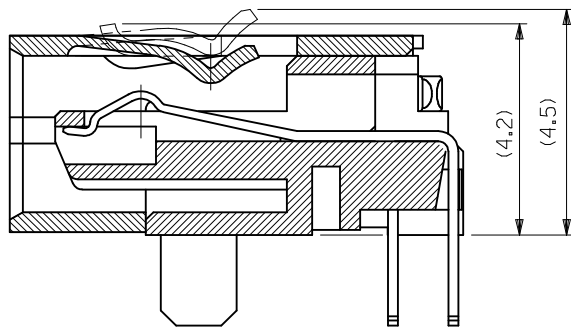


- 注記 1. 材質  
NOTES MATERIAL  
ハウジング: PA, ガラス充填, 黒色, UL94V-0  
HOUSING: PA, GLASS FILLED, BLACK, UL94V-0  
ターミナル: 銅合金 (t=0.2)  
TERMINAL: COPPER ALLOY (t=0.2)  
シールド ケース: 銅合金 (t=0.4)  
SHIELD CASE: COPPER ALLOY (t=0.4)
2. メッキ仕様  
PLATING  
ターミナル  
ターミナル  
TERMINAL  
接点部: 金メッキ 0.76MICRO METER MIN.  
CONTACT AREA: GOLD 0.76MICRO METER MIN.  
半田付カ部: 錫メッキ 1.0MICRO METER MIN.  
SOLDER TAIL AREA: TIN 1.0MICRO METER MIN.  
下地部: ニッケルメッキ 1.0MICRO METER MIN.  
UNDER PLATING: NICKEL 1.0MICRO METER MIN.  
シールド ケース  
SHIELD CASE  
: 錫メッキ 1.0 MICROMETER MIN.  
: TIN 1.0MICRO METER MIN.  
下地部: ニッケルメッキ 1.0MICRO METER MIN.  
UNDER PLATING: NICKEL 1.0MICRO METER MIN.
3. 本製品は54819-0511の鉛フリー品である。  
THIS PRODUCT IS LEAD FREE OF 54819-0511.

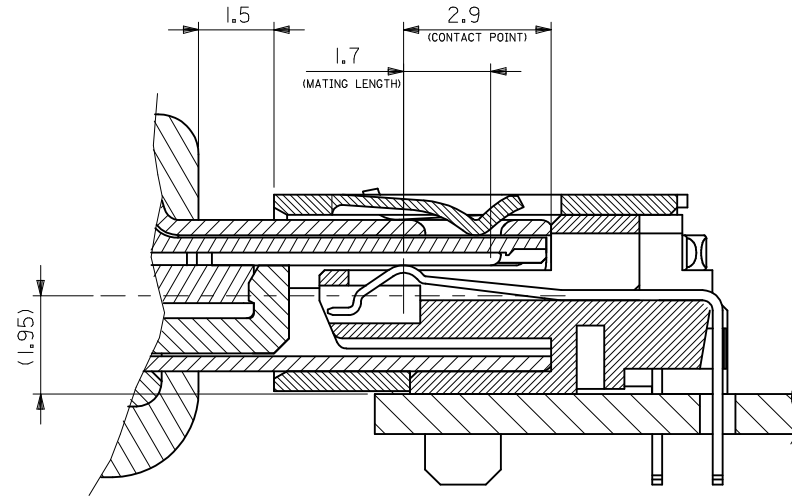
54819-0519  
MATERIAL No.

MODEL No.54819-\*\*-19

REVISED EC NO: J2009-1533 DRW: NESATO 2009/06/25 CHKD: MATSUMOTO 2009/06/25 APPR: NUKITA 2009/06/25	GENERAL TOLERANCES (UNLESS SPECIFIED)		DIMENSION STYLE MM ONLY	SCALE 10:1	DESIGN UNITS METRIC	THIRD ANGLE PROJECTION
	10 UNDER	±0.2	DRAWN BY M. NAGATA	DATE 2004/04/28	TITLE USB SERIES MINI-B RECEPTACLE ASS'Y -LEAD FREE-	
	10 OVER 30 UNDER	±0.25	CHECKED BY K. TOJO	DATE 2004/04/28	MOLEX INCORPORATED	
	30 OVER	±0.3	APPROVED BY M. SASAO	DATE 2004/04/28	DOCUMENT NO. SD-54819-026	SHEET NO. 1 OF 2
REV A	DESCRIPTION	ANGULAR ±3 ° DRAFT WHERE APPLICABLE MUST REMAIN WITHIN DIMENSIONS	SIZE A3	THIS DRAWING CONTAINS INFORMATION THAT IS PROPRIETARY TO MOLEX INCORPORATED AND SHOULD NOT BE USED WITHOUT WRITTEN PERMISSION		



SECTION



MATING

MODEL NO. 54819-\*\*\*19

REVISED EC NO: J2009-1533 DRW: NESATO 2009/06/25 CHK'D: MATSUMOTO 2009/06/25 APPR: NUKITA 2009/06/25	GENERAL TOLERANCES (UNLESS SPECIFIED)		DIMENSION STYLE MM ONLY		SCALE 10:1	DESIGN UNITS METRIC	THIRD ANGLE PROJECTION	
	10 UNDER	±0.2	DRAWN BY M. NAGATA	DATE 2004/04/28	TITLE USB SERIES MINI-B RECEPTACLE ASS'Y -LEAD FREE-			
	10 OVER 30 UNDER	±0.25	CHECKED BY K. TOJO	DATE 2004/04/28				
	30 OVER	±0.3	APPROVED BY M. SASAO	DATE 2004/04/28	MOLEX INCORPORATED DOCUMENT NO. SD-54819-026 SHEET NO. 2 OF 2			
	ANGULAR ±3 °		MATERIAL NO. SEE SHEET 1					
DRAFT WHERE APPLICABLE MUST REMAIN WITHIN DIMENSIONS		THIS DRAWING CONTAINS INFORMATION THAT IS PROPRIETARY TO MOLEX INCORPORATED AND SHOULD NOT BE USED WITHOUT WRITTEN PERMISSION						

## Looking for pricing, stock, or lifecycle information?

Click below to explore more details on WIN SOURCE:

 [View 0548190519+ on WIN SOURCE](#)

 [Molex, LLC Information](#)

## Optimize Your Supply Chain with WIN SOURCE Solutions

-  Global Sourcing Solution
-  Obsolete Management
-  Cost Control Management
-  Shortage Management
-  Alternative Solution
-  Excess Inventory Management