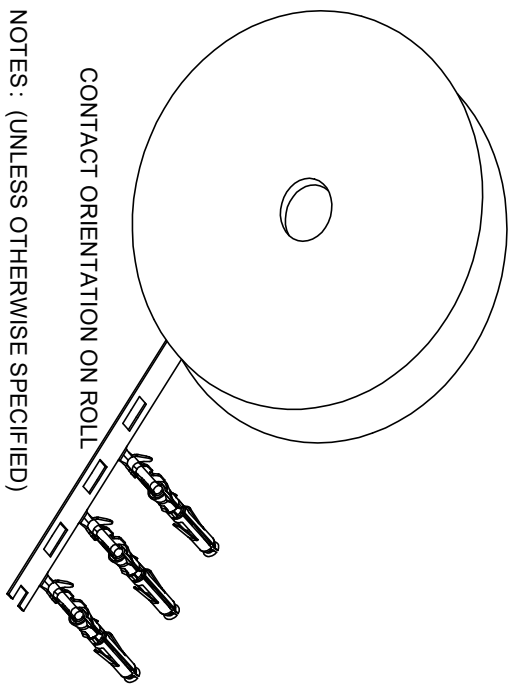




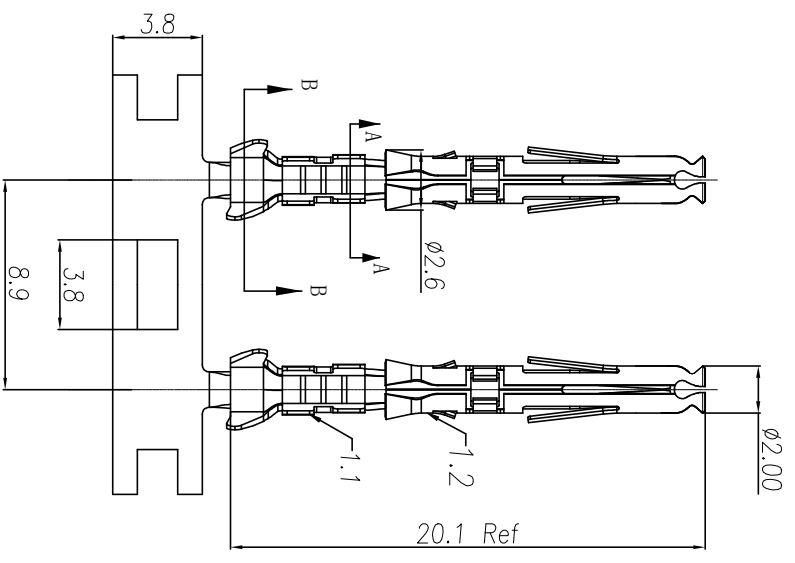
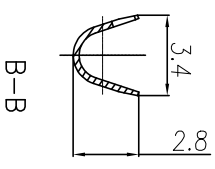
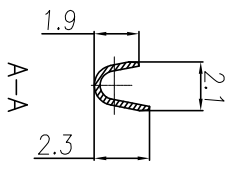
**THE DATASHEET OF
SS20W1F**



REVISIONS				
REV	ECO	DESCRIPTION	DATE	BY APPR
B1	-	RELEASED DRAWING	JAN-18-2014	ARROW TOMMY
B2	-	CHANGE HAND CRIMPER	Nov-8-19	Flan Tommy



- NOTES: (UNLESS OTHERWISE SPECIFIED)
- MATERIAL:
 - CONTACT BODY: COPPER ALLOY.
 - OUTER SPRING: STAINLESS STEEL.
 - SPECIFICATIONS:
 - CURRENT RATING: 5A MAX.
 - TERMINATION TYPE: CRIMPING.
 - WIRE RANGE: 22~20AWG.
 - WIRE INSULATION DIA(MAX): \varnothing 2.6mm.
 - ROHS COMPLIANT.
 - ALL DIMENSIONS ARE FOR REFERENCE USE ONLY.
5. AVAILABLE TOOLS:
- HAND CRIMPER: MFX-3958 ^(B2)
 - CRIMP APPLICATOR: MFX-3957.
 - EXTRACTION TOOL: QXRT20.



P/N	CONTACT PLATING(MATING AREA)
SS20W1T	TIN PLATING OVER NICKEL.
SS20W1F	GOLD FLASH PLATING OVER NICKEL.
SS20W1G10	10 μ "GOLD PLATING OVER NICKEL.
SS20W1G15	15 μ "GOLD PLATING OVER NICKEL.
SS20W1G30	30 μ "GOLD PLATING OVER NICKEL.

QUANTITY	PART NUMBER	DESCRIPTION	ITEM
MATERIALS LIST			
UNLESS OTHERWISE SPECIFIED			
1) All dimensions are in millimeters.			
2) Tolerances are as follows:			
1 Pt. DEC 40-90 Fractions 1/16"			
3 Pt. DEC 20-90 Fractions 1/32"			
3) Note reference = Δ			
MATERIAL SPECIFICATIONS		CUSTOMER: Tommy Nov-8-19	
PROCESS SPECIFICATIONS		THE DRAWING IS SUPPLEMENTED BY THE SPECIFICATIONS AND PERFORMANCE DATA OF THE MANUFACTURING CORPORATION. NO RIGHTS OF REPRODUCTION ARE AWARDED. ALL MANUFACTURING VARIATIONS	
NEXT ASBY:		SCALE: NONE	
		SIZE TYPE: B C-	
		DWG NO: SS20W1XX	
		SHEET 1 OF 1	
		REVISION: B2	

Amphenol

Sine Systems - www.amphenol-sine.com
44724 Montley Drive
Clinton Township, MI 48038

ECO-MATE SOCKET CONTACT,
STAMPED, 20-22AWG, SIZE 20

Looking for pricing, stock, or lifecycle information?

Click below to explore more details on WIN SOURCE:

- [View SS20W1F on WIN SOURCE](#)
- [Amphenol Sine Systems Corp Information](#)

Optimize Your Supply Chain with WIN SOURCE Solutions

- ✓ Global Sourcing Solution
- ✓ Obsolete Management
- ✓ Cost Control Management
- ✓ Shortage Management
- ✓ Alternative Solution
- ✓ Excess Inventory Management