



**THE DATASHEET OF  
SN74ALS229BN**



# SN74ALS229B

## 16 × 5 ASYNCHRONOUS FIRST-IN, FIRST-OUT MEMORY

SDAS090 – MARCH 1990 – REVISED JUNE 1992

- Independent Asynchronous Inputs and Outputs
- 16 Words by 5 Bits
- Data Rates From 0 to 40 MHz
- Fall-Through Time . . . 14 ns Typ
- 3-State Outputs
- Package Options Include Plastic Small-Outline Packages (DW), Plastic Chip Carriers (FN), and Standard Plastic 300-mil DIPs (N)

### description

This 80-bit memory uses advanced low-power Schottky technology and features high speed and fast fall-through times. It is organized as 16 words by 5 bits.

A FIFO memory is a storage device that allows data to be written into and read from its array at independent data rates. This FIFO is designed to process data at rates from 0 to 40 MHz in a bit-parallel format, word by word.

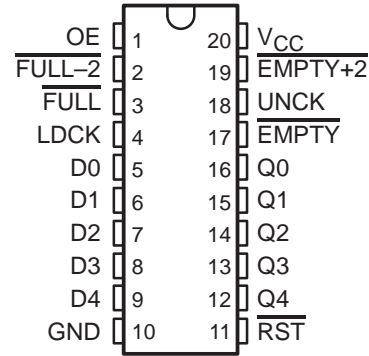
Data is written into memory on a low-to-high transition at the load clock (LDCK) input and is read out on a low-to-high transition at the unload clock (UNCK). The memory is full when the number of words clocked in exceeds by 16 the number of words clocked out. When the memory is full, LDCK signals have no effect. When the memory is empty, UNCK signals have no effect.

Status of the FIFO memory is monitored by the  $\overline{\text{FULL}}$ ,  $\overline{\text{EMPTY}}$ ,  $\overline{\text{FULL-2}}$ , and  $\overline{\text{FULL+2}}$  output flags. The  $\overline{\text{FULL}}$  output is low when the memory is full and high when it is not full. The  $\overline{\text{FULL-2}}$  output is low when the memory contains 14 data words. The  $\overline{\text{EMPTY}}$  output is low when the memory is empty and high when it is not empty. The  $\overline{\text{EMPTY+2}}$  output is low when two words remain in memory.

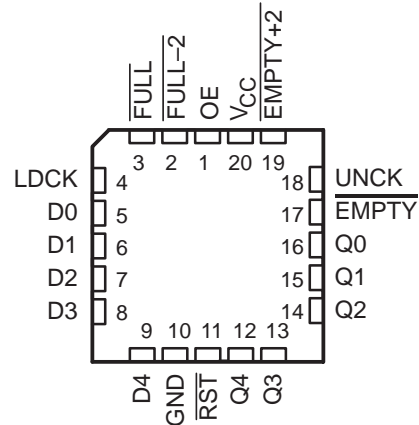
A low level on the reset ( $\overline{\text{RST}}$ ) input resets the internal stack control pointers and also sets  $\overline{\text{EMPTY}}$  low and sets  $\overline{\text{FULL}}$ ,  $\overline{\text{FULL-2}}$ , and  $\overline{\text{EMPTY+2}}$  high. The Q outputs are not reset to any specific logic level. The first low-to-high transition on LDCK after either a  $\overline{\text{RST}}$  pulse or from an empty condition causes  $\overline{\text{EMPTY}}$  to go high and the data to appear on the Q outputs. It is important to note that the first word does not have to be unloaded. Data outputs are noninverting with respect to the data inputs and are at high impedance when the output-enable (OE) input is low. OE does not affect the output flags. Cascading is easily accomplished in the word-width direction but is not possible in the word-depth direction.

The SN74ALS229B is characterized for operation from 0°C to 70°C.

**DW OR N PACKAGE  
(TOP VIEW)**



**FN PACKAGE  
(TOP VIEW)**



Please be aware that an important notice concerning availability, standard warranty, and use in critical applications of Texas Instruments semiconductor products and disclaimers thereto appears at the end of this data sheet.

PRODUCTION DATA information is current as of publication date. Products conform to specifications per the terms of Texas Instruments standard warranty. Production processing does not necessarily include testing of all parameters.



POST OFFICE BOX 655303 • DALLAS, TEXAS 75265

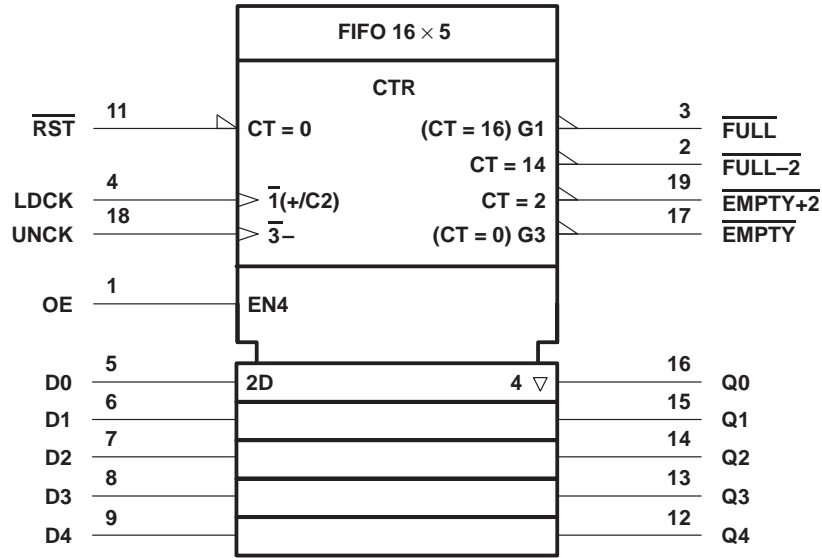
Copyright © 1992, Texas Instruments Incorporated

# SN74ALS229B

## 16 × 5 ASYNCHRONOUS FIRST-IN, FIRST-OUT MEMORY

SDAS090 – MARCH 1990 – REVISED JUNE 1992

### logic symbol†



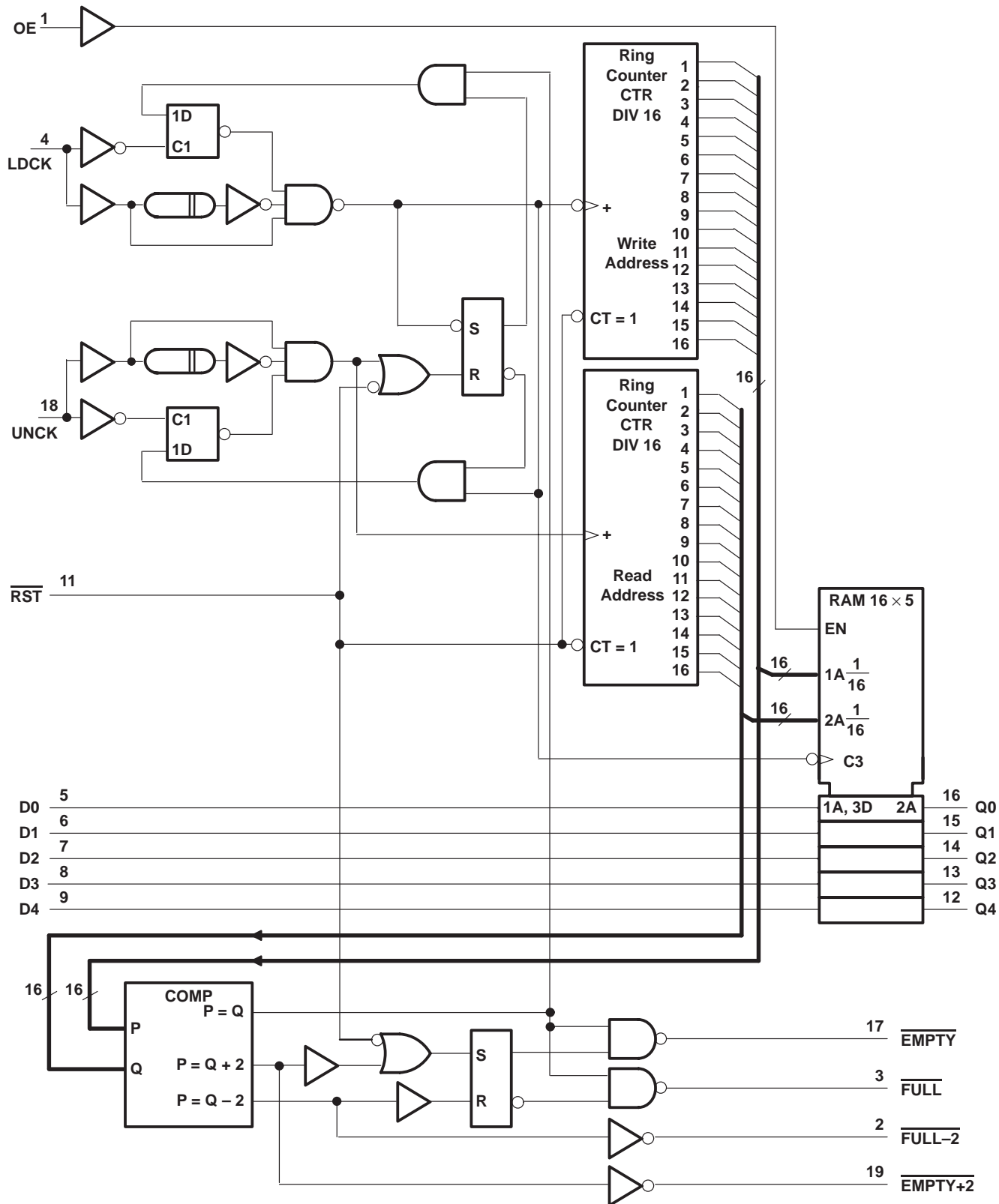
† This symbol is in accordance with ANSI/IEEE Standard 91-1984 and IEC Publication 617-12. The symbol is functionally accurate but does not show the details of implementation; for these, see the logic diagram. The symbol represents the memory as if it were controlled by a single counter whose content is the number of words stored at the time. Output data is invalid when the counter content (CT) is 0. Pin numbers shown are for the DW and N packages.

# SN74ALS229B

## 16 × 5 ASYNCHRONOUS FIRST-IN, FIRST-OUT MEMORY

SDAS090 – MARCH 1990 – REVISED JUNE 1992

### logic diagram (positive logic)



Pin numbers shown are for the DW and N packages.

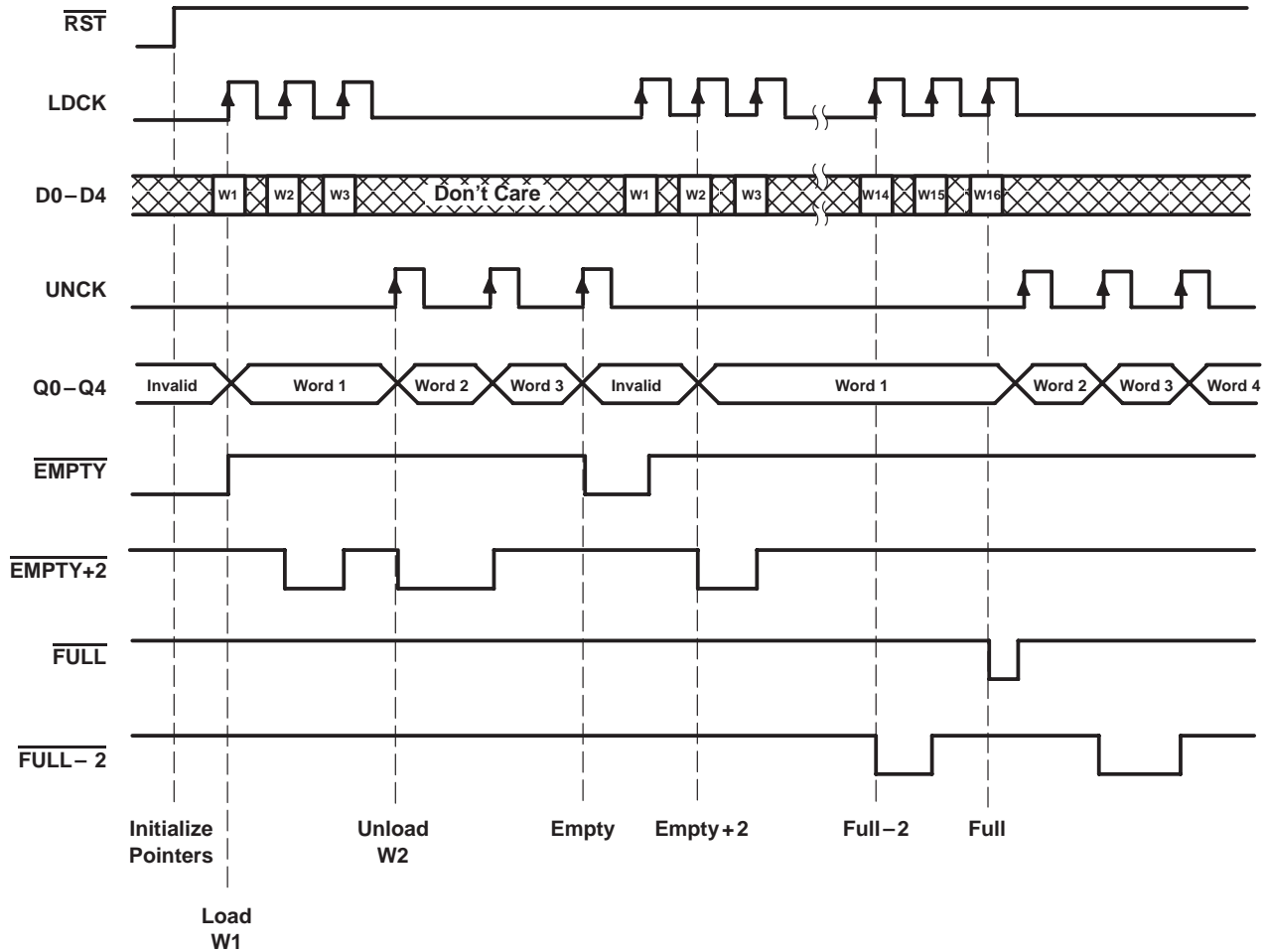


# SN74ALS229B

## 16 × 5 ASYNCHRONOUS FIRST-IN, FIRST-OUT MEMORY

SDAS090 – MARCH 1990 – REVISED JUNE 1992

### timing diagram



### absolute maximum ratings over operating free-air temperature range (unless otherwise noted)†

Supply voltage, $V_{CC}$	7 V
Input voltage, $V_I$	7 V
Voltage applied to a disabled 3-state output	5.5 V
Operating free-air temperature range, $T_A$	0°C to 70°C
Storage temperature range	-65°C to 150°C

† Stresses beyond those listed under "absolute maximum ratings" may cause permanent damage to the device. These are stress ratings only, and functional operation of the device at these or any other conditions beyond those indicated under "recommended operating conditions" is not implied. Exposure to absolute-maximum-rated conditions for extended periods may affect device reliability.



# SN74ALS229B

## 16 × 5 ASYNCHRONOUS FIRST-IN, FIRST-OUT MEMORY

SDAS090 – MARCH 1990 – REVISED JUNE 1992

### recommended operating conditions (see Note 1)

		MIN	NOM	MAX	UNIT
V <sub>CC</sub>	Supply voltage	4.5	5	5.5	V
V <sub>IH</sub>	High-level input voltage	2			V
V <sub>IL</sub>	Low-level input voltage			0.8	V
I <sub>OH</sub>	High-level output current	Q outputs		-1.6	mA
		Status flags		-0.4	
I <sub>OL</sub>	Low-level output current	Q outputs		24	mA
		Status flags		8	
f <sub>clock</sub>	Clock frequency	LDCK	0	40	MHz
		UNCK	0	40	
t <sub>w</sub>	Pulse duration	R <sub>ST</sub> low	18		ns
		LDCK low	15		
		LDCK high	10		
		UNCK low	15		
		UNCK high	10		
t <sub>su</sub>	Setup time	Data before LDCK↑	8		ns
		R <sub>ST</sub> (inactive) before LDCK↑	5		
		LDCK (inactive) before R <sub>ST</sub> ↑	5		
t <sub>h</sub>	Hold time	Data after LDCK↑	5		ns
T <sub>A</sub>	Operating free-air temperature	0		70	°C

NOTE 1: To ensure proper operation of this high-speed FIFO device, it is necessary to provide a clean signal to the LDCK and UNCK clock inputs. Any excessive noise or glitching on the clock inputs that violates the V<sub>IL</sub>, V<sub>IH</sub>, or minimum pulse duration limits can cause a false clock or improper operation of the internal read and write pointers.

### electrical characteristics over recommended operating free-air temperature range (unless otherwise noted)

PARAMETER		TEST CONDITIONS		MIN	TYP†	MAX	UNIT
V <sub>IK</sub>		V <sub>CC</sub> = 4.5 V,	I <sub>I</sub> = -18 mA			-1.2	V
V <sub>OH</sub>	Q outputs	V <sub>CC</sub> = 4.5 V,	I <sub>OL</sub> = -2.6 mA	2.4	3.2		V
	Status flags	V <sub>CC</sub> = 4.5 V to 5.5 V,	I <sub>OL</sub> = -0.4 mA	V <sub>CC</sub> -2			
V <sub>OL</sub>	Q outputs	V <sub>CC</sub> = 4.5 V,	I <sub>OL</sub> = 12 mA	0.25	0.4		V
		V <sub>CC</sub> = 4.5 V,	I <sub>OL</sub> = 24 mA	0.35	0.5		
	Status flags	V <sub>CC</sub> = 4.5 V,	I <sub>OL</sub> = 4 mA	0.25	0.4		
		V <sub>CC</sub> = 4.5 V,	I <sub>OL</sub> = 8 mA	0.35	0.5		
I <sub>OZH</sub>		V <sub>CC</sub> = 5.5 V,	V <sub>O</sub> = 2.7 V			20	μA
I <sub>OZL</sub>		V <sub>CC</sub> = 5.5 V,	V <sub>O</sub> = 0.4 V			-20	μA
I <sub>I</sub>		V <sub>CC</sub> = 5.5 V,	V <sub>I</sub> = 7 V			0.1	mA
I <sub>IH</sub>		V <sub>CC</sub> = 5.5 V,	V <sub>I</sub> = 2.7 V			20	μA
I <sub>IL</sub>		V <sub>CC</sub> = 5.5 V,	V <sub>I</sub> = 0.4 V			-0.2	mA
I <sub>O‡</sub>		V <sub>CC</sub> = 5.5 V,	V <sub>O</sub> = 2.25 V	-30		-112	mA
I <sub>CC</sub>		V <sub>CC</sub> = 5.5 V			85	140	mA

† All typical values are at V<sub>CC</sub> = 5 V, T<sub>A</sub> = 25°C.

‡ The output conditions have been chosen to produce a current that closely approximates one half of the true short-circuit output current, I<sub>OS</sub>.



# SN74ALS229B

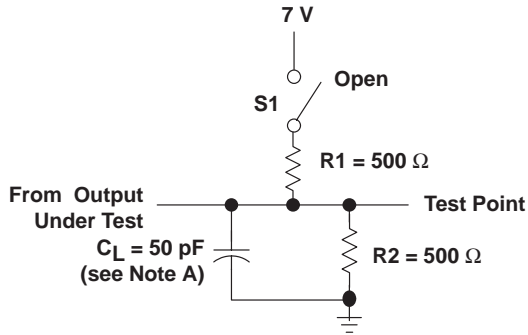
## 16 × 5 ASYNCHRONOUS FIRST-IN, FIRST-OUT MEMORY

SDAS090 – MARCH 1990 – REVISED JUNE 1992

### switching characteristics (see Figure 1)

PARAMETER	FROM (INPUT)	TO (OUTPUT)	V <sub>CC</sub> = 4.5 V to 5.5 V, C <sub>L</sub> = 50 pF, R <sub>1</sub> = 500 Ω, R <sub>2</sub> = 500 Ω, T <sub>A</sub> = 0°C to 70°C		UNIT
			MIN	MAX	
f <sub>max</sub>	LDCK, UNCK		40		MHz
t <sub>pd</sub>	LDCK↑	Any Q	6	30	ns
	UNCK↑		6	30	
t <sub>PLH</sub>	LDCK↑	EMPTY	5	25	ns
t <sub>PHL</sub>	UNCK↑		6	27	
t <sub>PHL</sub>	RST↓	EMPTY	5	26	ns
t <sub>pd</sub>	LDCK↑	EMPTY+2	7	33	ns
	UNCK↑		9	35	
t <sub>PLH</sub>	RST↓	EMPTY+2	9	33	ns
t <sub>pd</sub>	LDCK↑	FULL-2	7	33	ns
	UNCK↑		9	35	
t <sub>PLH</sub>	RST↓	FULL-2	9	33	ns
t <sub>PHL</sub>	LDCK↑	FULL	6	27	ns
t <sub>PLH</sub>	UNCK↑	FULL	5	25	ns
	RST↓		8	31	
t <sub>en</sub>	OE↑	Q	2	15	ns
t <sub>dis</sub>	OE↓	Q	1	15	ns

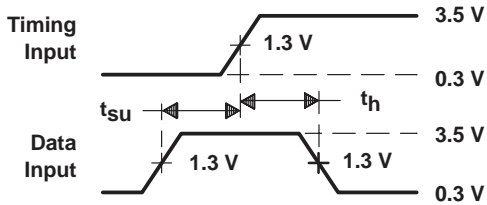
**PARAMETER MEASUREMENT INFORMATION**



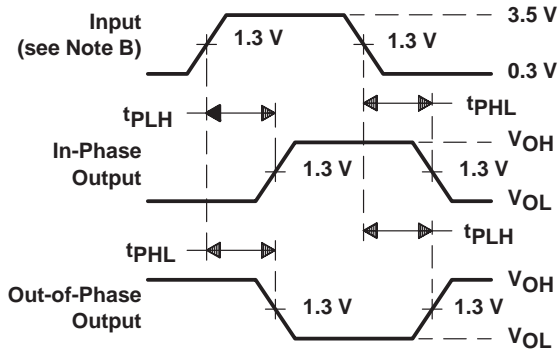
**LOAD CIRCUIT FOR 3-STATE OUTPUTS**

**SWITCH POSITION TABLE**

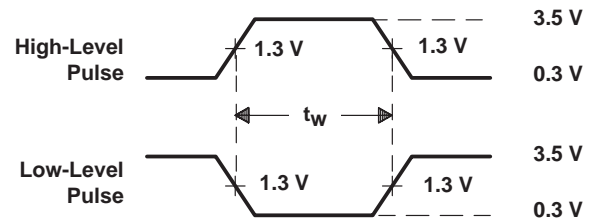
TEST	S1
t <sub>PLH</sub>	Open
t <sub>PHL</sub>	Open
t <sub>PZH</sub>	Open
t <sub>PZL</sub>	Closed
t <sub>PHZ</sub>	Open
t <sub>PLZ</sub>	Closed



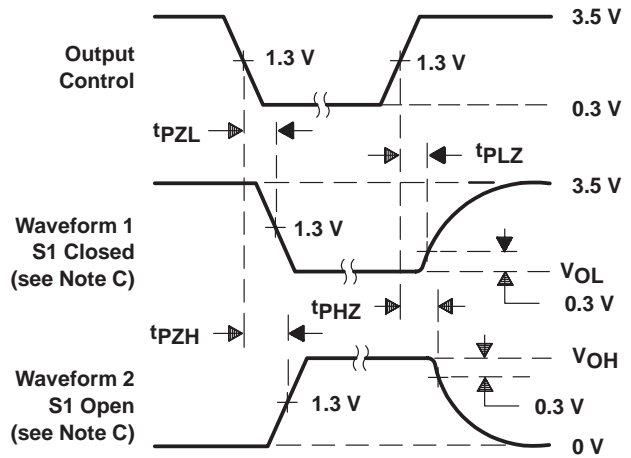
**VOLTAGE WAVEFORMS  
SETUP AND HOLD TIMES**



**VOLTAGE WAVEFORMS  
PROPAGATION DELAY TIMES**



**VOLTAGE WAVEFORMS  
PULSE DURATION**



**VOLTAGE WAVEFORMS  
ENABLE AND DISABLE TIMES, 3-STATE OUTPUTS**

- NOTES: A.  $C_L$  includes probe and jig capacitance.  
 B. All input pulses are supplied by generators having the following characteristics:  $PRR \leq 1 \text{ MHz}$ ,  $Z_0 = 50 \Omega$ ,  $t_r \leq 2 \text{ ns}$ ,  $t_f \leq 2 \text{ ns}$ .  
 C. Waveform 1 is for an output with internal conditions such that the output is low except when disabled by the output control. Waveform 2 is for an output with internal conditions such that the output is high except when disabled by the output control.  
 D. The outputs are measured one at a time with one transition per measurement.

**Figure 1. Load Circuit and Voltage Waveforms**



**PACKAGING INFORMATION**

Orderable Device	Status <sup>(1)</sup>	Package Type	Package Drawing	Pins	Package Qty	Eco Plan <sup>(2)</sup>	Lead/Ball Finish	MSL Peak Temp <sup>(3)</sup>
SN74ALS229BDW	ACTIVE	SOIC	DW	20	25	Green (RoHS & no Sb/Br)	CU NIPDAU	Level-1-260C-UNLIM
SN74ALS229BN	ACTIVE	PDIP	N	20	20	Pb-Free (RoHS)	CU NIPDAU	N / A for Pkg Type
SN74ALS229BN	ACTIVE	PDIP	N	20	20	Pb-Free (RoHS)	CU NIPDAU	N / A for Pkg Type
SN74ALS229BN	ACTIVE	PDIP	N	20	20	Pb-Free (RoHS)	CU NIPDAU	N / A for Pkg Type

<sup>(1)</sup> The marketing status values are defined as follows:

**ACTIVE:** Product device recommended for new designs.

**LIFEBUY:** TI has announced that the device will be discontinued, and a lifetime-buy period is in effect.

**NRND:** Not recommended for new designs. Device is in production to support existing customers, but TI does not recommend using this part in a new design.

**PREVIEW:** Device has been announced but is not in production. Samples may or may not be available.

**OBSOLETE:** TI has discontinued the production of the device.

<sup>(2)</sup> Eco Plan - The planned eco-friendly classification: Pb-Free (RoHS), Pb-Free (RoHS Exempt), or Green (RoHS & no Sb/Br) - please check <http://www.ti.com/productcontent> for the latest availability information and additional product content details.

**TBD:** The Pb-Free/Green conversion plan has not been defined.

**Pb-Free (RoHS):** TI's terms "Lead-Free" or "Pb-Free" mean semiconductor products that are compatible with the current RoHS requirements for all 6 substances, including the requirement that lead not exceed 0.1% by weight in homogeneous materials. Where designed to be soldered at high temperatures, TI Pb-Free products are suitable for use in specified lead-free processes.

**Pb-Free (RoHS Exempt):** This component has a RoHS exemption for either 1) lead-based flip-chip solder bumps used between the die and package, or 2) lead-based die adhesive used between the die and leadframe. The component is otherwise considered Pb-Free (RoHS compatible) as defined above.

**Green (RoHS & no Sb/Br):** TI defines "Green" to mean Pb-Free (RoHS compatible), and free of Bromine (Br) and Antimony (Sb) based flame retardants (Br or Sb do not exceed 0.1% by weight in homogeneous material)

<sup>(3)</sup> MSL, Peak Temp. -- The Moisture Sensitivity Level rating according to the JEDEC industry standard classifications, and peak solder temperature.

**Important Information and Disclaimer:**The information provided on this page represents TI's knowledge and belief as of the date that it is provided. TI bases its knowledge and belief on information provided by third parties, and makes no representation or warranty as to the accuracy of such information. Efforts are underway to better integrate information from third parties. TI has taken and continues to take reasonable steps to provide representative and accurate information but may not have conducted destructive testing or chemical analysis on incoming materials and chemicals. TI and TI suppliers consider certain information to be proprietary, and thus CAS numbers and other limited information may not be available for release.

In no event shall TI's liability arising out of such information exceed the total purchase price of the TI part(s) at issue in this document sold by TI to Customer on an annual basis.

N (R-PDIP-T\*\*)

PLASTIC DUAL-IN-LINE PACKAGE

16 PINS SHOWN

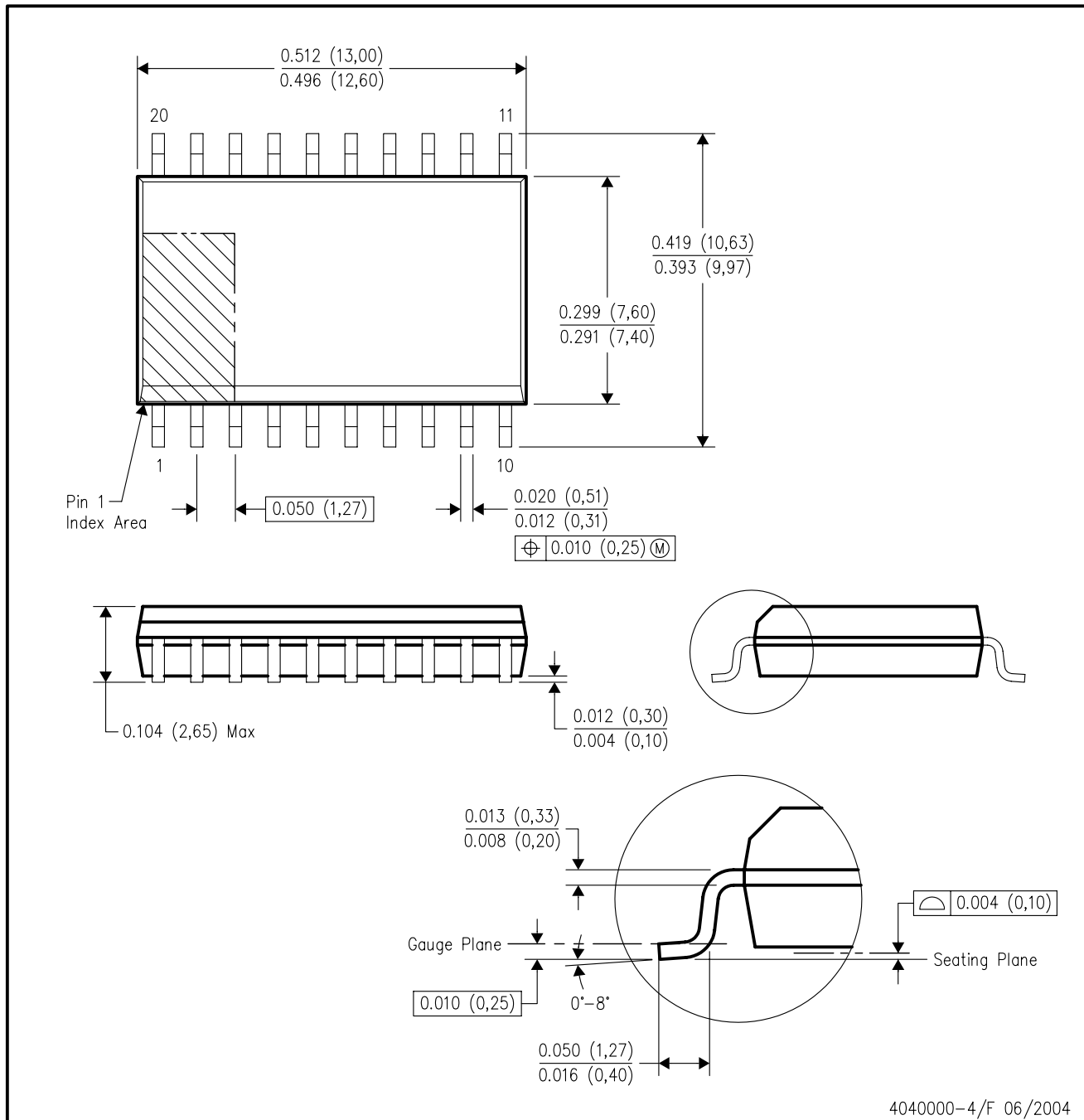


4040049/E 12/2002

- NOTES:
- A. All linear dimensions are in inches (millimeters).
  - B. This drawing is subject to change without notice.
  - Falls within JEDEC MS-001, except 18 and 20 pin minimum body length (Dim A).
  - The 20 pin end lead shoulder width is a vendor option, either half or full width.

DW (R-PDSO-G20)

PLASTIC SMALL-OUTLINE PACKAGE



- NOTES:
- A. All linear dimensions are in inches (millimeters).
  - B. This drawing is subject to change without notice.
  - C. Body dimensions do not include mold flash or protrusion not to exceed 0.006 (0,15).
  - D. Falls within JEDEC MS-013 variation AC.

## IMPORTANT NOTICE

Texas Instruments Incorporated and its subsidiaries (TI) reserve the right to make corrections, modifications, enhancements, improvements, and other changes to its products and services at any time and to discontinue any product or service without notice. Customers should obtain the latest relevant information before placing orders and should verify that such information is current and complete. All products are sold subject to TI's terms and conditions of sale supplied at the time of order acknowledgment.

TI warrants performance of its hardware products to the specifications applicable at the time of sale in accordance with TI's standard warranty. Testing and other quality control techniques are used to the extent TI deems necessary to support this warranty. Except where mandated by government requirements, testing of all parameters of each product is not necessarily performed.

TI assumes no liability for applications assistance or customer product design. Customers are responsible for their products and applications using TI components. To minimize the risks associated with customer products and applications, customers should provide adequate design and operating safeguards.

TI does not warrant or represent that any license, either express or implied, is granted under any TI patent right, copyright, mask work right, or other TI intellectual property right relating to any combination, machine, or process in which TI products or services are used. Information published by TI regarding third-party products or services does not constitute a license from TI to use such products or services or a warranty or endorsement thereof. Use of such information may require a license from a third party under the patents or other intellectual property of the third party, or a license from TI under the patents or other intellectual property of TI.

Reproduction of information in TI data books or data sheets is permissible only if reproduction is without alteration and is accompanied by all associated warranties, conditions, limitations, and notices. Reproduction of this information with alteration is an unfair and deceptive business practice. TI is not responsible or liable for such altered documentation.

Resale of TI products or services with statements different from or beyond the parameters stated by TI for that product or service voids all express and any implied warranties for the associated TI product or service and is an unfair and deceptive business practice. TI is not responsible or liable for any such statements.

Following are URLs where you can obtain information on other Texas Instruments products and application solutions:

### Products

Amplifiers	<a href="http://amplifier.ti.com">amplifier.ti.com</a>
Data Converters	<a href="http://dataconverter.ti.com">dataconverter.ti.com</a>
DSP	<a href="http://dsp.ti.com">dsp.ti.com</a>
Interface	<a href="http://interface.ti.com">interface.ti.com</a>
Logic	<a href="http://logic.ti.com">logic.ti.com</a>
Power Mgmt	<a href="http://power.ti.com">power.ti.com</a>
Microcontrollers	<a href="http://microcontroller.ti.com">microcontroller.ti.com</a>
Low Power Wireless	<a href="http://www.ti.com/lpw">www.ti.com/lpw</a>

### Applications

Audio	<a href="http://www.ti.com/audio">www.ti.com/audio</a>
Automotive	<a href="http://www.ti.com/automotive">www.ti.com/automotive</a>
Broadband	<a href="http://www.ti.com/broadband">www.ti.com/broadband</a>
Digital Control	<a href="http://www.ti.com/digitalcontrol">www.ti.com/digitalcontrol</a>
Military	<a href="http://www.ti.com/military">www.ti.com/military</a>
Optical Networking	<a href="http://www.ti.com/opticalnetwork">www.ti.com/opticalnetwork</a>
Security	<a href="http://www.ti.com/security">www.ti.com/security</a>
Telephony	<a href="http://www.ti.com/telephony">www.ti.com/telephony</a>
Video & Imaging	<a href="http://www.ti.com/video">www.ti.com/video</a>
Wireless	<a href="http://www.ti.com/wireless">www.ti.com/wireless</a>

Mailing Address: Texas Instruments  
Post Office Box 655303 Dallas, Texas 75265

## Looking for pricing, stock, or lifecycle information?

Click below to explore more details on WIN SOURCE:

 [View SN74ALS229BN](#) on WIN SOURCE

 [Texas Instruments](#) Information

## Optimize Your Supply Chain with WIN SOURCE Solutions

-  Global Sourcing Solution
-  Obsolete Management
-  Cost Control Management
-  Shortage Management
-  Alternative Solution
-  Excess Inventory Management