



THE DATASHEET OF SMS12GE4

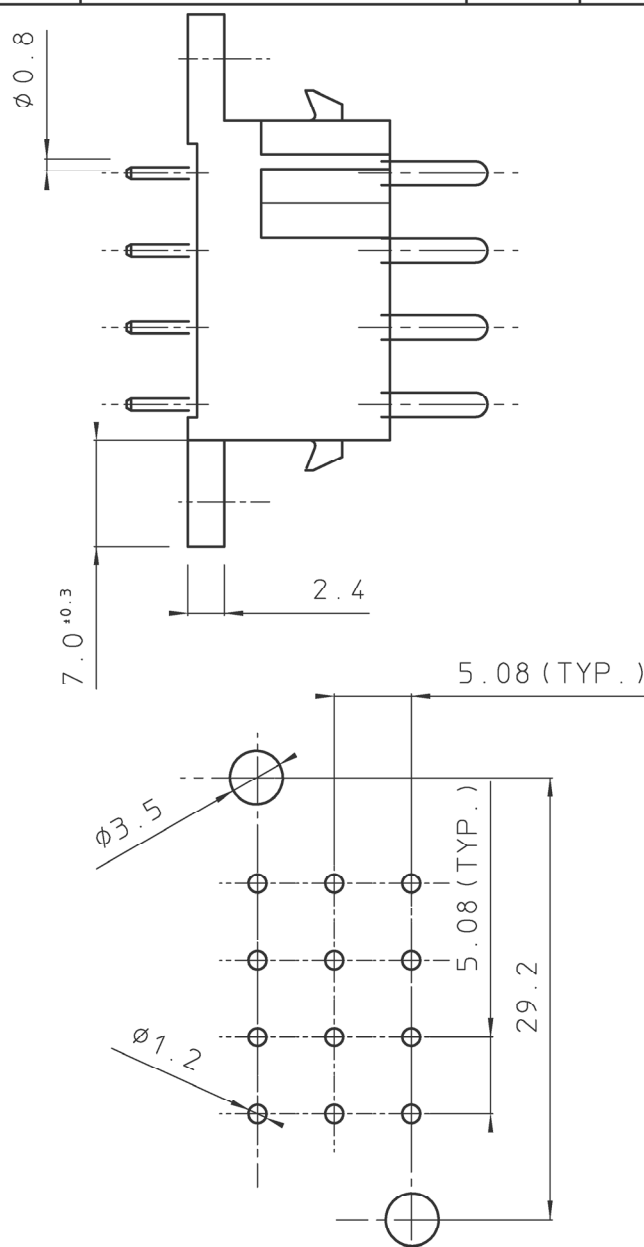
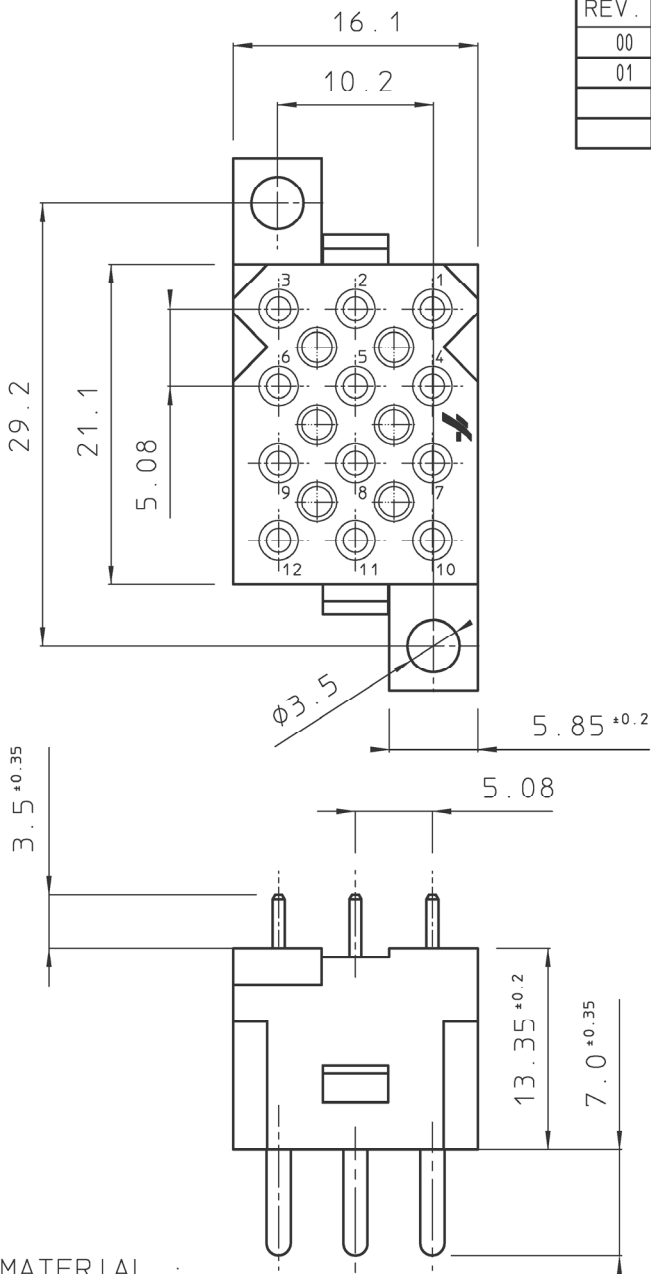


DIT IS ONZE EIGENDOM EN MAG NOCH NAGEMAAKT, HERDRUKT, OVERGEMAAKT AAN DERDEN, NOCH VOOR FABRIKATIE GEBRUIKT WORDEN, ZONDER ONZE SCHRIFTELIJKE TOELATING. BIJ NIET GEBRUIK IS DE TERUGZENDING VERPLICHT.

THIS IS OUR EXCLUSIVE PROPERTY. IT IS NOT TO BE COPIED, REPRINTED OR DISCLOSED TO A THIRD PARTY, NOR USED FOR MANUFACTURING WITHOUT OUR WRITTEN CONSENT, AND HAS TO BE RETURNED TO US IN CASE OF NO USAGE

BS, A , 202363, 005, 01

REV.	DATE	DESCRIPTION	BY	C'K'D'
00	18.08.97	REDRAWN FROM DRAWING BSA 062110 SHEET 5	S.V.D.	
01	12.09.97	BEC 9.3390	S.V.D.	



MATERIAL :

BODY : POLYESTER 30% GLASSFILLED , UL94V-0,

COLOUR : BLACK

CONTACTS : BRASS, GOLD OR TIN PLATED

PERFORMANCE CHARACTERISTICS :

OPERATING TEMPERATURE : -55°C TO 105°C

INSULATING RESISTANCE : 5000 MΩ MIN.

TEST POTENTIAL : 2000 VAC

NOTES :

- CONNECTOR SUPPLIED FULLY LOADED WITH MACHINED PIN CONTACTS.
AU PLATED : SMS12GE4, AU FLASH : SMS12GE4J, TIN PLATED : SMS12GE4T
- MATING PART SMS12P1 PLUG
- PC-BOARD THICKNESS : 2.4 MM
- DISCRIMINATION IS GUARANTEED WITHOUT LOSS OF CONTACT POSITION WHEN USING SMSPK3 DISCRIMINATION PINS. FOR TECHNICAL INFORMATION ABOUT SMSPK3 : SEE BS,C ,201424,003.

GEN. ST.	01	02	03	04	05	06	07	08	0D	50	60	70	80	90																	
INT. ST.	10	11	12	13	14	18	20	31	32	33	34	38	39	40	42	43	44	45	46	48	56	70	72	73	75	76	81	82	83	84	88

1DEC ±0,2 1DEC 2DEC ±0,1 2DEC ANGLES ±1° HOEKEN	APPR.	DATE	SIGN.	SMS QIKMATE STRAIGHT MALE REC. WITH MACH. CONT.
	DRAFT	18-08-97	S. Van Dessel	CAT. No. SMS12GE4*
WE RESERVE THE RIGHT TO CHANGE DIMENSIONS OR REQUIREMENTS WITHOUT PRIOR NOTICE.	PROD. MGR.			
	PR. ENG. MGR.			
ALL DIMENSIONS IN MM 	PR. MGT. MGR.			SCALE 2/1
ALLE AFMETINGEN IN MM	REFERENCES / REFERENTIES			BS, A , 202363, 005, 01 DRAWING NR. CUSTOMER DRAWING

Looking for pricing, stock, or lifecycle information?

Click below to explore more details on WIN SOURCE:

- ⊖ [View SMS12GE4 on WIN SOURCE](#)
- ⊖ [Souriau-Sunbank by Eaton Information](#)

Optimize Your Supply Chain with WIN SOURCE Solutions

- ✓ Global Sourcing Solution
- ✓ Obsolete Management
- ✓ Cost Control Management
- ✓ Shortage Management
- ✓ Alternative Solution
- ✓ Excess Inventory Management