

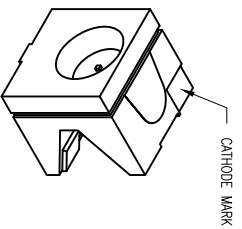


PART NUMBER

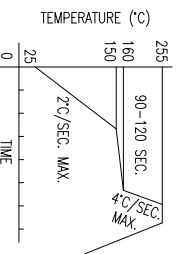
SML-LXR44SUGC-TR

REV.

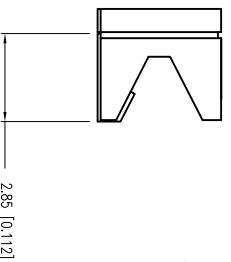
---



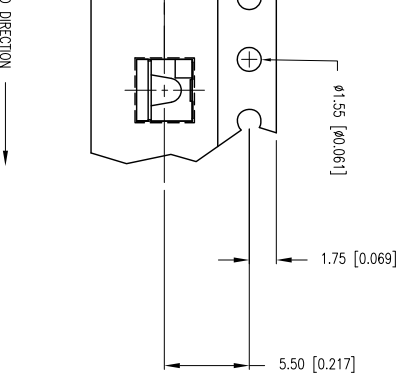
CATHODE MARK

LEAD FREE REFLOW PROFILE  
10 SEC. MAX.

TOTAL TIME ABOVE 220°C IS 60 SECONDS MAX.



2.85 [0.112]

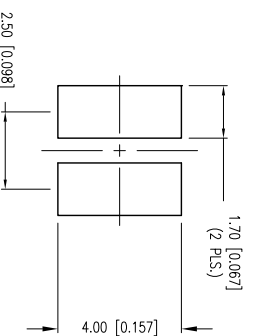


ø1.55 [ø0.061]

1.75 [0.069]

5.50 [0.217]

## RECOMMENDED SOLDER PAD LAYOUT

1.70 [0.067]  
(2 PLS.)

4.00 [0.157]

2.50 [0.098]

ELECTRO-OPTICAL CHARACTERISTICS  $I_A=25\text{mA}$ 

PARAMETER	MIN	TYP	MAX	UNITS	TEST COND
PEAK WAVELENGTH		574		nm	
FORWARD VOLTAGE		2.2	2.8	V <sub>f</sub>	$I_f=100\mu\text{A}$
REVERSE VOLTAGE	5.0			V <sub>r</sub>	
AXIAL INTENSITY		210		md	$I_f=20\text{mA}$
VIEWING ANGLE		90		2 $\times$ theta	
EMITTED COLOR:		GREEN			
EPOXY LENS FINISH:		WATER CLEAR LENS			

## LIMITS OF SAFE OPERATION AT 25°C

PARAMETER	MAX	UNITS
PEAK FORWARD CURRENT*	150	mA
STEADY CURRENT	25	mA
POWER DISSIPATION	100	mW
DERATE FROM 25°C	-1.2	mW/°C
OPERATING TEMP.	-40 TO +85	°C
STORAGE TEMP.	-40 TO +85	°C

\* I&lt;100μS

## NOTES:

- 500 PIECES PER REEL.
- THE CATHODE IS ORIENTED TOWARDS THE TAPE SPROCKET HOLE.

CAUTION: MOISTURE SENSITIVE DEVICE  
PER JEDEC LEVEL 2 STANDARDS

X=±1 (±0.039), XX=±0.5 (±0.020), XXX=±0.25 (±0.010), XXXX=±0.127 (±0.005), LEAD SIZE=±0.05 (±0.002), LEAD LENGTH=±0.75 (±0.030), MIN= -0.00

+0.00  
DECIMAL PRECISION

UNCONTROLLED DOCUMENT

HELEN ROAD  
LE, IL 60067-6976  
: +1.847.359.2790  
1.847.359.6538  
WWW.LUXEEX.COM

RIGHT ANGLE BOOMERANG SURFACE MOUNT LED, 574nm SUPER ULTRA GREEN LED, WATER CLEAR LENS.

\*\*THE SPECIFICATIONS MAY CHANGE AT ANY TIME WITHOUT NOTICE DUE TO NEW MATERIALS OR PRODUCT IMPROVEMENT.\*\*

CONFIDENTIAL INFORMATION  
THE INFORMATION CONTAINED IN THIS DOCUMENT IS THE PROPERTY OF LUXE INC. EXCEPT AS SPECIFICALLY AUTHORIZED IN WRITING BY LUXE INC., THE HOLDER OF THIS DOCUMENT SHALL KEEP ALL INFORMATION CONTAINED HEREIN CONFIDENTIAL AND SHALL PROTECT SAME IN WHOLE OR IN PART FROM DISCLOSURE AND DISSEMINATION TO ALL THIRD PARTIES.

DATE:	05.17.11	DRAWN BY:	AB
PAGE:	1 OF 1	CHKD BY:	DT
SCALE:	NIS	APRVD BY:	DT
UNIT:	mm [INCH]		

(8)

## Looking for pricing, stock, or lifecycle information?

Click below to explore more details on WIN SOURCE:

- ⊖ [View SML-LXR44SUGC-TR on WIN SOURCE](#)
- ⊖ [Lumex Opto/Components Inc. Information](#)

## Optimize Your Supply Chain with WIN SOURCE Solutions

- ✓ Global Sourcing Solution
- ✓ Obsolete Management
- ✓ Cost Control Management
- ✓ Shortage Management
- ✓ Alternative Solution
- ✓ Excess Inventory Management