



# SMA TO 26.5 GHz

## SMA Cable Assemblies

RF047-A, RF086, RF23C, RF25S, RF402, RF405, RF180, RF280



### VSWR

**RF047-A:** 1.30 max.  
**RF086:** 1.30 max.  
**RF23C:** 1.30 max.  
**RF180:** 1.35 max.  
**RF280:** 1.35 max.

Additional connector options available. Contact RFGroup@samtec.com

SERIES	END 1 CONNECTOR	END 2 CONNECTOR	OVERALL LENGTH
<b>RF047-A</b> = (1.2 mm) .047" overshield DIA 29 AWG millimeter wave cable	<b>-01SP1*</b> = SMA Straight Plug		<b>-“XXXX”</b> = Overall Length in millimeters
<b>RF086</b> = (2.18 mm) .086" overshield DIA 23 AWG millimeter wave cable	<b>-01RP1*</b> = SMA Right-angle Plug (RF047-A, RF086, RF23C & RF25S not available)		-0100 (100 mm) 3.94" minimum (RF047-A, RF086, RF25S, RF402, & RF405)
<b>RF23C</b> = MCW-2350CU-01 millimeter wave cable with copper foil shield	<b>-01BJ1*</b> = SMA Bulkhead Jack (RF402 & RF405 not available)		-0152 (152 mm) 5.984" minimum (RF23C & RF180)
<b>RF25S</b> = MWC-2550-01 microwave cable with 25 AWG solid FEP dielectric	<b>-01SB</b> = Straight Bulkhead Jack, Sealed (RF047-A, RF086 & RF23C only)		-0200 (200 mm) 7.87" minimum (RF280)

\*Remove last "1" from end connector when specifying RF047-A, RF086, RF23C, RF180 & RF280.

### ALSO AVAILABLE

1.00 mm, 1.35 mm, 1.85 mm, 2.40 mm, 2.92 mm, SMPM, SMP = RF047-A

1.85 mm, 2.40 mm, 2.92 mm, SMPM, SMP = RF086

2.40 mm, 2.92 mm, SMPM, SMP = RF23C

SMP = RF25S, RF405

TNCA, N Type = RF180

TNCA, N Type = RF280

## SMA Board Connectors

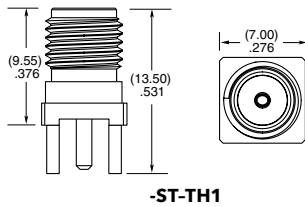
SMA-TH, SMA-SM, SMA-MT, SMA-EM

### Cable Mates:

RF047-A, RF086, RF23C, RF25S, RF402, RF405, RF180, RF280



SMA	GENDER	TYPE	PLATING	ORIENTATION	TERMINATION
	<b>-J</b> = Jack	<b>-P</b> = PCB Mount	<b>-H</b> = 30 μ" (0.76 μm) Gold center contact, 3 μ" (0.08 μm) Gold outer contact	<b>-ST</b> = Straight	<b>-TH1</b> = Through-hole
			<b>-GF</b> = 10 μ" (0.25 μm) Gold center contact, 3 μ" (0.08 μm) Gold outer contact (-SM1 only)	<b>-RA</b> = Right-angle	<b>-SM1</b> = Surface Mount (-GF-RA only)
					<b>-EM1</b> = Edge Mount (-ST only)
					<b>-EM3</b> = Drop-in Edge Mount (-ST only)
					<b>-MT1</b> = Mixed Technology (-ST only)



## SMA Cable Connectors

PRF01

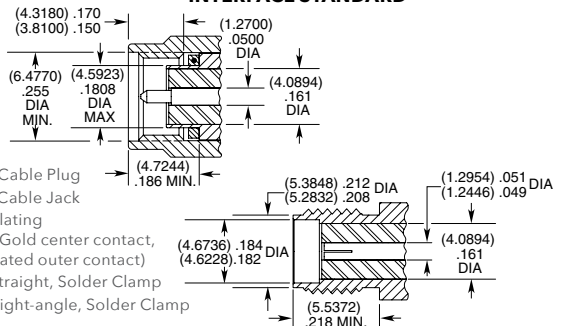


### CONNECTORS FOR INDUSTRY STANDARD CABLES

PRF01-P-C-EP-120C-SS	Harbour LL120
PRF01-J-C-EP-142-SS	Harbour LL142
PRF01-P-C-EP-142-SS	Harbour LL142
PRF01-P-C-EP-142-RS	Harbour LL142
PRF01-P-C-EP-142A-SS	Harbour SB142
PRF01-P-C-EP-335-SS	Harbour LL335
PRF01-P-C-EP-335A-SS	Harbour LL335i
PRF01-P-C-EP-190-SS	Semflex HP190
PRF01-P-C-EP-190-RS	Semflex HP190
PRF01-P-C-EP-305-SS	Semflex HP305
PRF01-P-C-EP-290-SS	Semflex LA290

For a complete list of SMA cable connectors, visit [www.samtec.com?PRF01](http://www.samtec.com?PRF01)

### INTERFACE STANDARD



## Looking for pricing, stock, or lifecycle information?

Click below to explore more details on WIN SOURCE:

- ⊖ [View SMA-J-P-H-RA-TH1 on WIN SOURCE](#)
- ⊖ [Samtec Inc. Information](#)

## Optimize Your Supply Chain with WIN SOURCE Solutions

- ✓ Global Sourcing Solution
- ✓ Obsolete Management
- ✓ Cost Control Management
- ✓ Shortage Management
- ✓ Alternative Solution
- ✓ Excess Inventory Management