

10 9 8 7 6 5 4 3 2 1

F

F

E

E

D

D

C

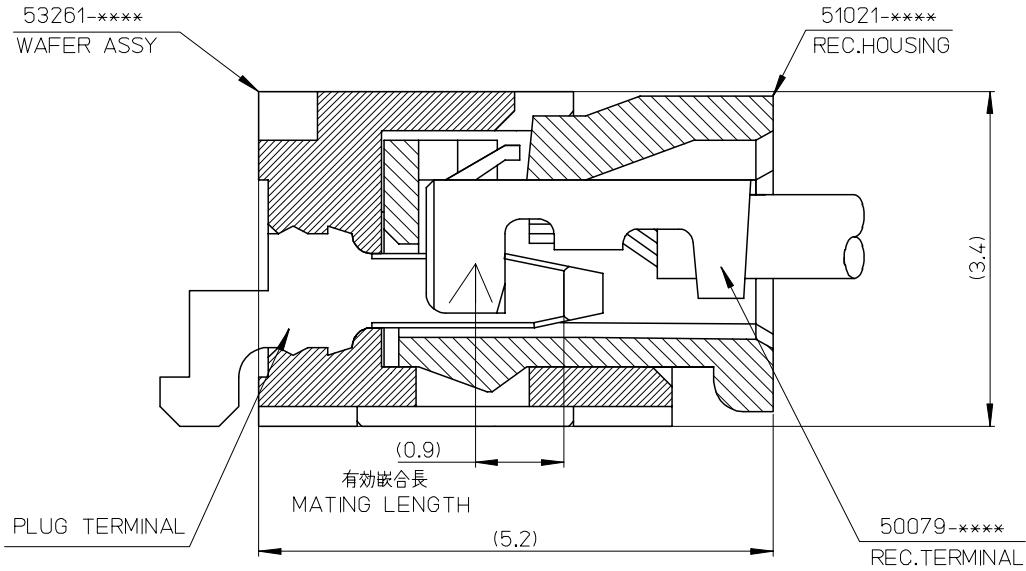
C

B

B

A

A



53261-****	WAFER ASSY	MODEL NO./MATERIAL NO.
50079-****	TERMINAL	
51021-****	HOUSING	

RELEASED EC NO: J2006-2426 DRWN: A0YAGI 2006/02/02 CHKD: YMAEDA 2006/02/03 APPR: NUKITA 2006/02/07	GENERAL TOLERANCES (UNLESS SPECIFIED)		DIMENSION STYLE MM ONLY		SCALE ---	DESIGN UNITS METRIC	THIRD ANGLE PROJECTION	
	10 UNDER	± ---	DRAWN BY Y. A0YAGI	DATE 2006/01/30	TITLE 1.25 W-TO-B CONN. 51021,53261 MATING CROSS SECTION			
	10 OVER 30 UNDER	± ---	CHECKED BY Y. MAEDA	DATE 2006/01/30	MOLEX INCORPORATED			
	30 OVER	± ---	APPROVED BY N. UKITA	DATE 2006/01/30	DOCUMENT NO. SD-51021-002			
	ANGULAR	± --- °	MATERIAL NO. SEE CHART		SHEET NO. 1 OF 1			
0	DRAFT WHERE APPLICABLE MUST REMAIN WITHIN DIMENSIONS		THIS DRAWING CONTAINS INFORMATION THAT IS PROPRIETARY TO MOLEX INCORPORATED AND SHOULD NOT BE USED WITHOUT WRITTEN PERMISSION					

9

8

7

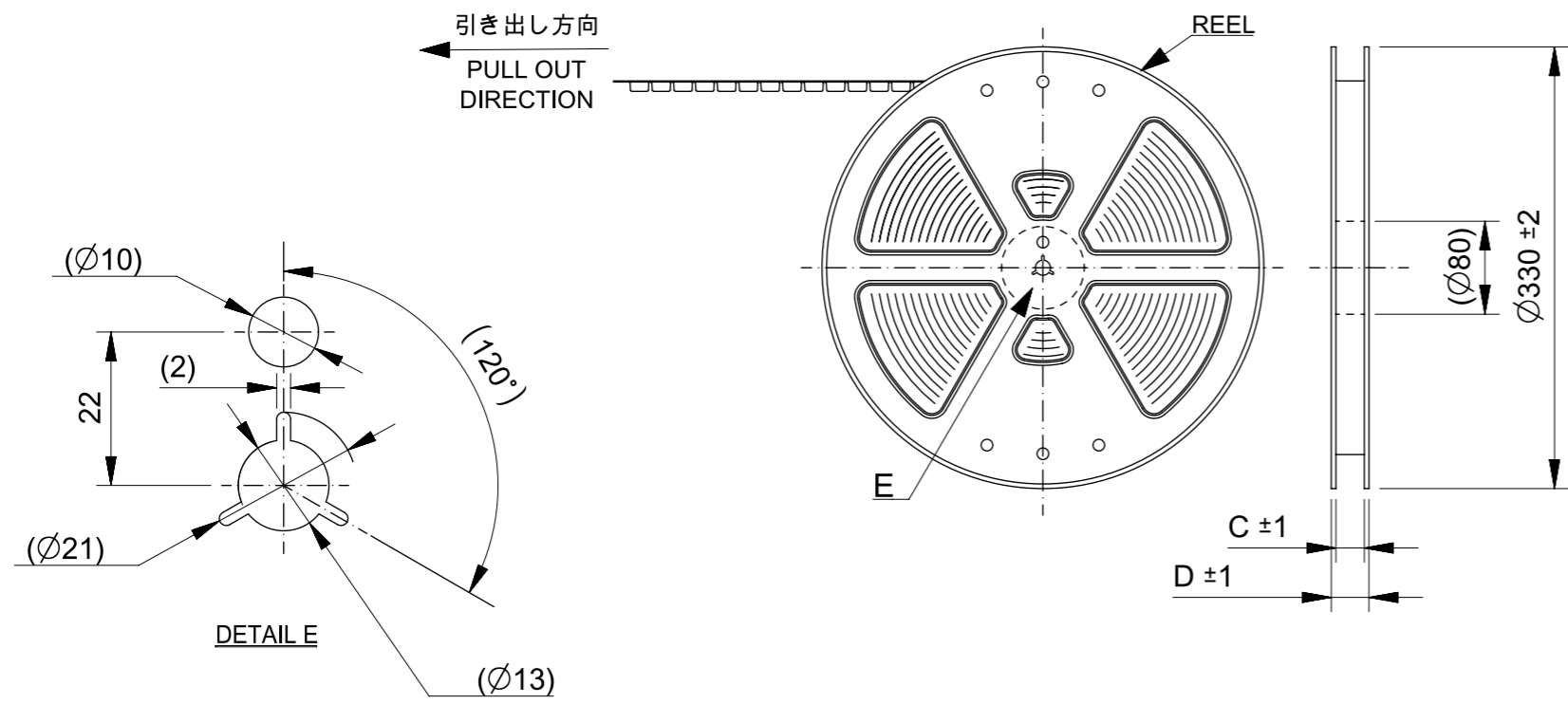
6

5

4

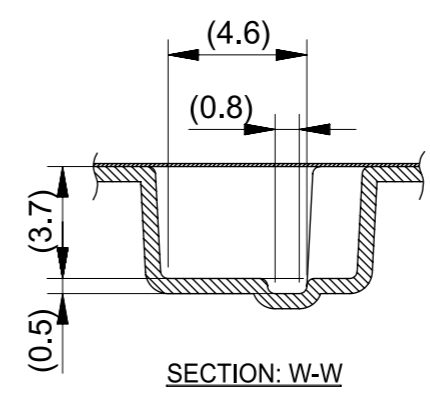
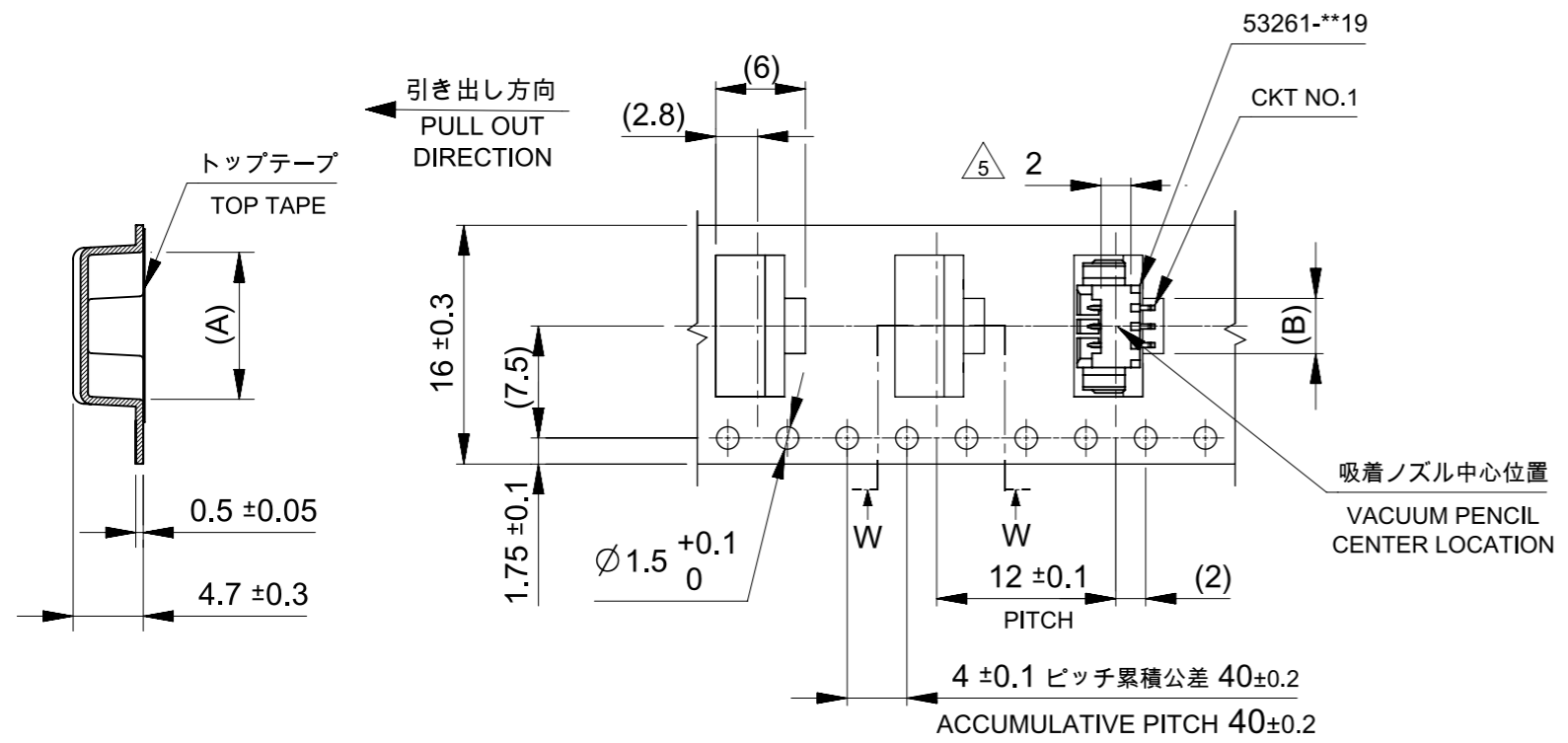
3

2



注釈 NOTE

- コネクタ53261-**19の詳細寸法については図面SD-53261-024をご参照ください。
REFER TO DRAWING SD-53261-024 FOR DETAIL DIMENSIONS OF CONNECTOR 53261-**19.
- 梱包数量: 1000個/リール
NUMBER OF CONNECTOR: 1000PCS/REEL
- リードテープ長さ LEAD TAPE LENGTH
 トップテープリーダ部 TOP TAPE LEADER PART: 175 ± 25
 トップテープ未装着部 TOP TAPE NON-BONDED PART: 25 ± 5
 引き出し方向 PULL OUT DIRECTION
 リーダ部 (空部) LEADER PART (EMPTY): 120 ± 20
 部品挿入部 COMPONENT SUPPLIER
 末端部 (空部) TAIL PART (EMPTY): 150 ± 40
- 材料 (MATERIAL)
 キャリアテープ (CARRIER TAPE): ポリプロピレン (POLYPROPYLENE)
 トップテープ (TOP TAPE): PET, PE, PEF
 リール (REEL): ポリスチレン (PS) <リサイクル材含む> POLYSTYREN (PS) <RECYCLE MATERIAL CONTAINED>
- コネクタハウジング平面部
CONNECTOR HOUSING FLAT AREA.
- 本製品は乾燥剤入りハイバリア梱包仕様である。
THIS PRODUCT IS HIGH BARRIER PACKAGE WITH DESICCANT.

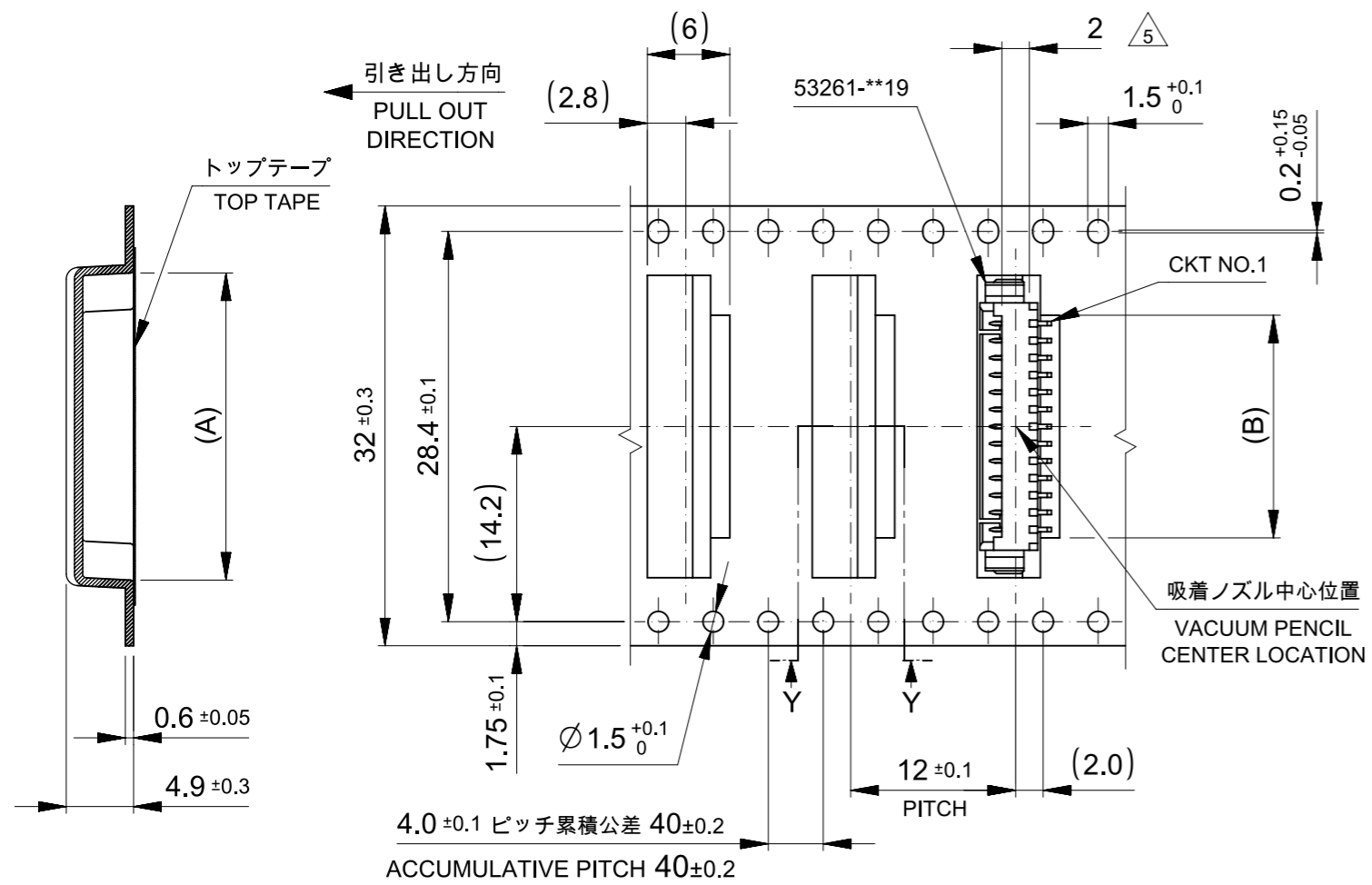


16mm幅キャリアテープ
16mm WIDTH CARRIER TAPE

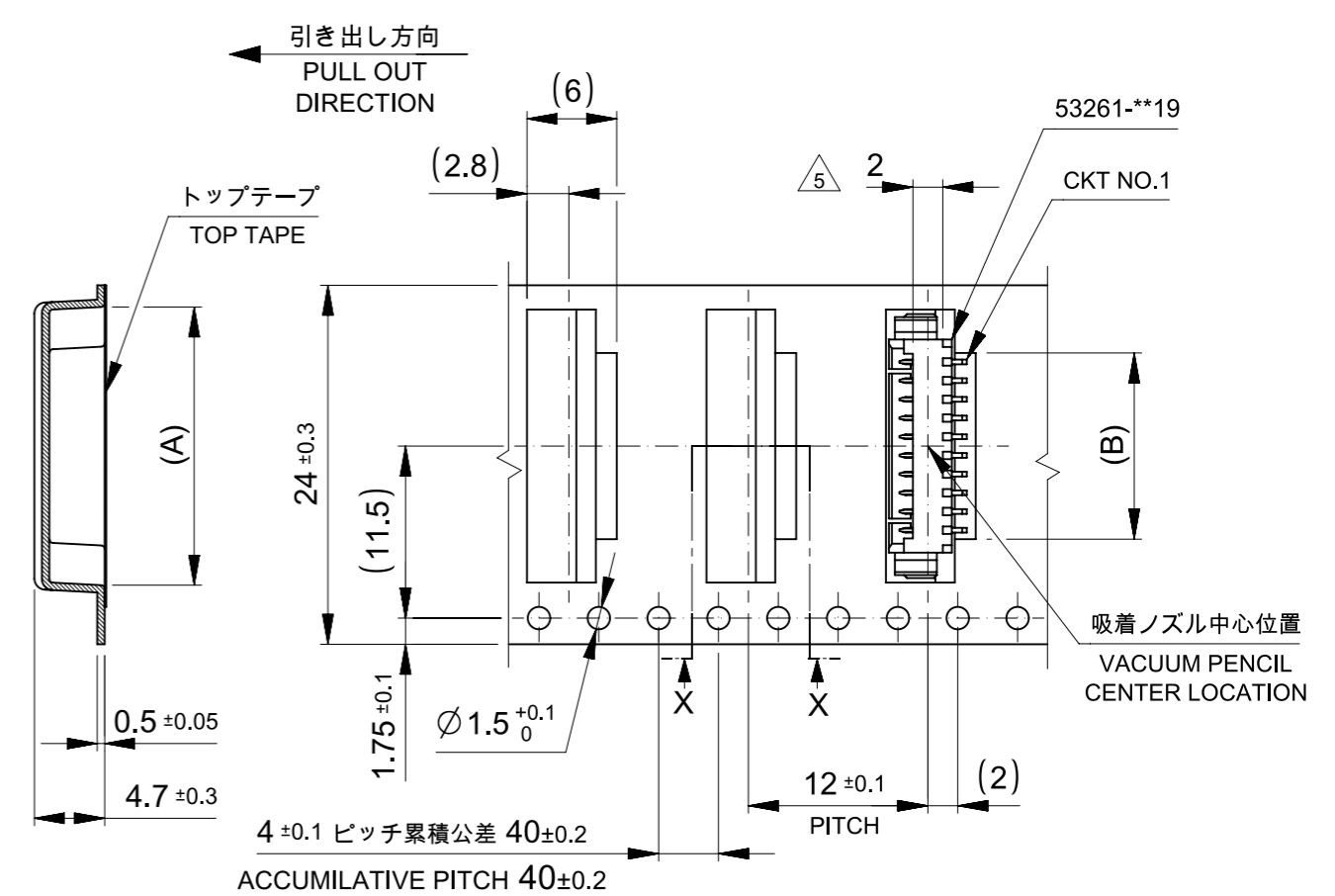
16	21.4	17.4	3.7	9.5	53261-0371	3
			2.45	8.25	53261-0271	2
キャリアテープ幅 CARRIER TAPE WIDTH		D	C	B	A	EMBOSSED TAPE PACKAGE 極数 オーダー番号 ORDER NO. CKT.

THIS DRAWING CONTAINS INFORMATION THAT IS PROPRIETARY TO MOLEX ELECTRONIC TECHNOLOGIES, LLC AND SHOULD NOT BE USED WITHOUT WRITTEN PERMISSION		CURRENT REV DESC:		molex			
DIMENSION UNITS	SCALE	EC NO: 174889					
mm	NTS	DRWN: SOBARA01 2018/02/07		PRODUCT CUSTOMER DRAWING			
GENERAL TOLERANCES (UNLESS SPECIFIED)		CHK'D: TKANEKO 2018/04/13		DOCUMENT NUMBER			
ANGULAR TOL	± 3.0 °	APPR: TKANEKO 2018/04/13		SD-53261-023			
4 PLACES	± 0.2	INITIAL REVISION:		DOC TYPE	DOC PART		
3 PLACES	± 0.2	DRWN: HSHIMABUKURO 2004/02/20		PSD	001		
2 PLACES	± 0.2	APPR: MSASAO 2004/02/20		REVISION	E		
1 PLACE	± 0.2	DRAFT WHERE APPLICABLE MUST REMAIN WITHIN DIMENSIONS		SHEET NUMBER			
0 PLACES	± 0.2	THIRD ANGLE PROJECTION	DRAWING	SERIES	MATERIAL NUMBER		
		A3-SIZE	53261	SEE CHART	CUSTOMER		
				GENERAL MARKET	1 OF 4		

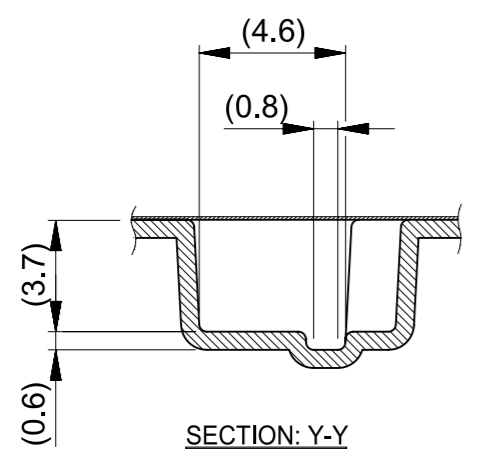
DOCUMENT STATUS	RELEASE DATE
-----------------	--------------



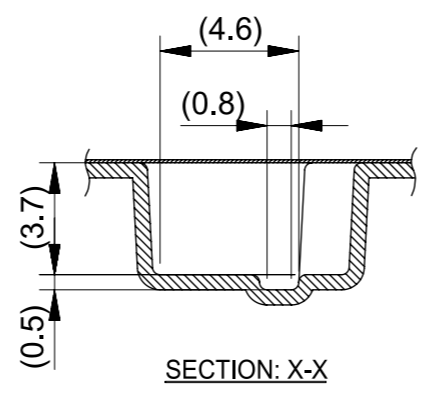
32mm幅キャリアテープ
32mm WIDTH CARRIER TAPE



24mm幅キャリアテープ
24mm WIDTH CARRIER TAPE



SECTION: Y-Y

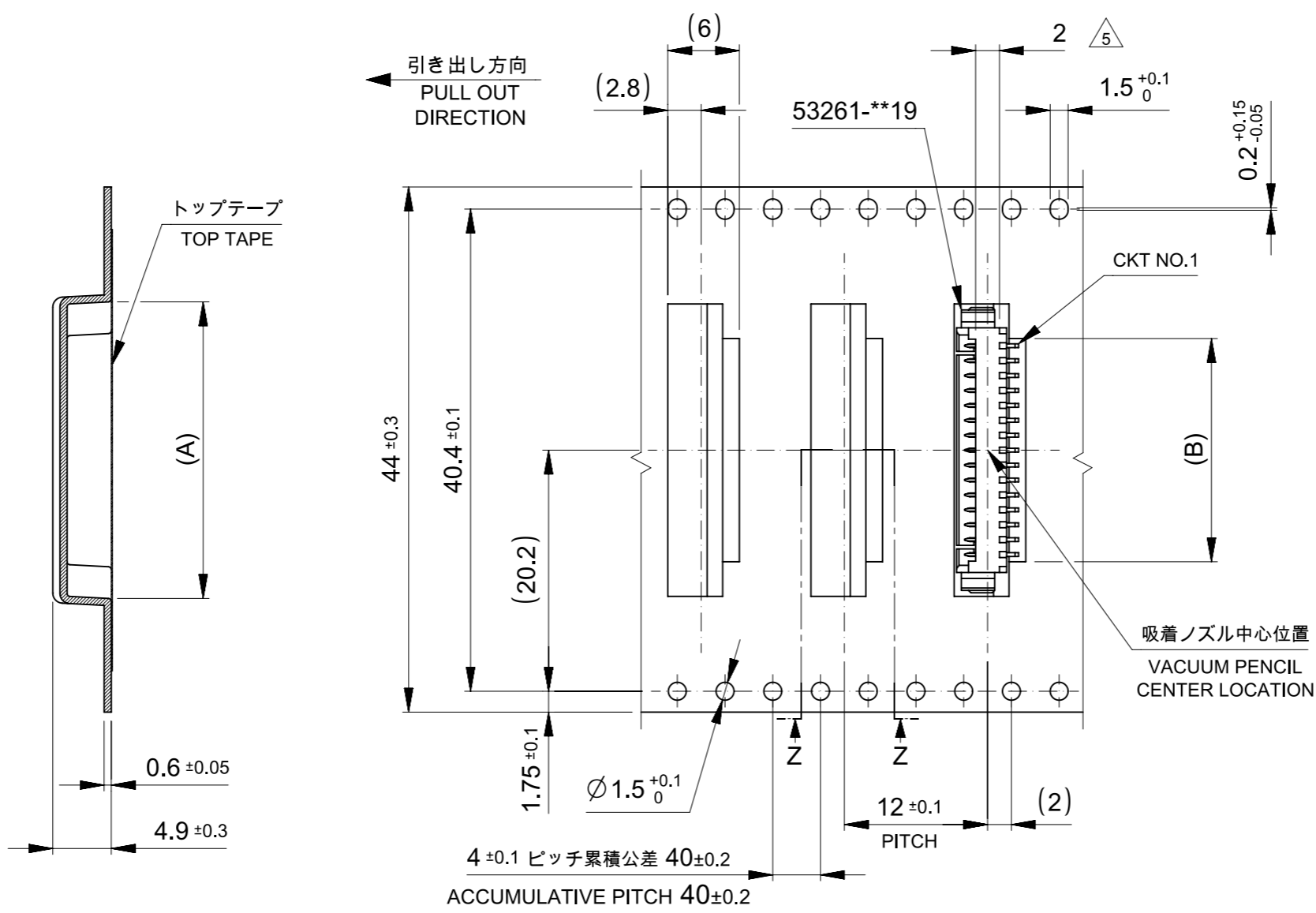


SECTION: X-X

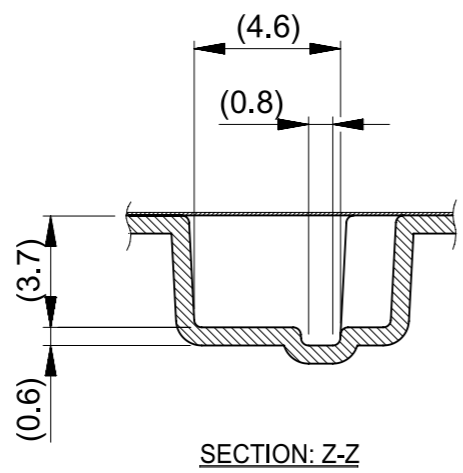
32	37.4	33.4	16.2	22	53261-1371	13	
			14.95	20.75	53261-1271	12	
			13.7	19.5	53261-1171	11	
24	29.4	25.4	12.45	18.25	53261-1071	10	
			11.2	17	53261-0971	9	
			9.95	15.75	53261-0871	8	
			8.7	14.5	53261-0771	7	
			7.45	13.25	53261-0671	6	
			6.2	12	53261-0571	5	
			4.95	10.75	53261-0471	4	
キャリアテープ幅 CARRIER TAPE WIDTH		D	C	B	A	EMBOSSED TAPE PACKAGE オーダー番号 ORDER NO.	極数 CKT.

THIS DRAWING CONTAINS INFORMATION THAT IS PROPRIETARY TO MOLEX ELECTRONIC TECHNOLOGIES, LLC AND SHOULD NOT BE USED WITHOUT WRITTEN PERMISSION

DIMENSION UNITS mm	SCALE NTS	CURRENT REV DESC:		molex		
GENERAL TOLERANCES (UNLESS SPECIFIED)		EC NO: 174889				
ANGULAR TOL	± 3.0 °	DRWN: SOBARA01	2018/02/07	PRODUCT CUSTOMER DRAWING		
4 PLACES	± 0.2	CHK'D: TKANEKO	2018/04/13	DOCUMENT NUMBER		
3 PLACES	± 0.2	APPR: TKANEKO	2018/04/13	DOC TYPE		
2 PLACES	± 0.2	INITIAL REVISION:		DOC PART		
1 PLACE	± 0.2	DRWN: HSHIMABUKURO	2004/02/20	REVISION		
0 PLACES	± 0.2	APPR: MSASAO	2004/02/20	SD-53261-023		
DRAFT WHERE APPLICABLE MUST REMAIN WITHIN DIMENSIONS	THIRD ANGLE PROJECTION	DRAWING	SERIES	MATERIAL NUMBER	CUSTOMER	SHEET NUMBER
		A3-SIZE	53261	SEE CHART	GENERAL MARKET	2 OF 4



44mm幅キャリアテープ
44mm WIDTH CARRIER TAPE



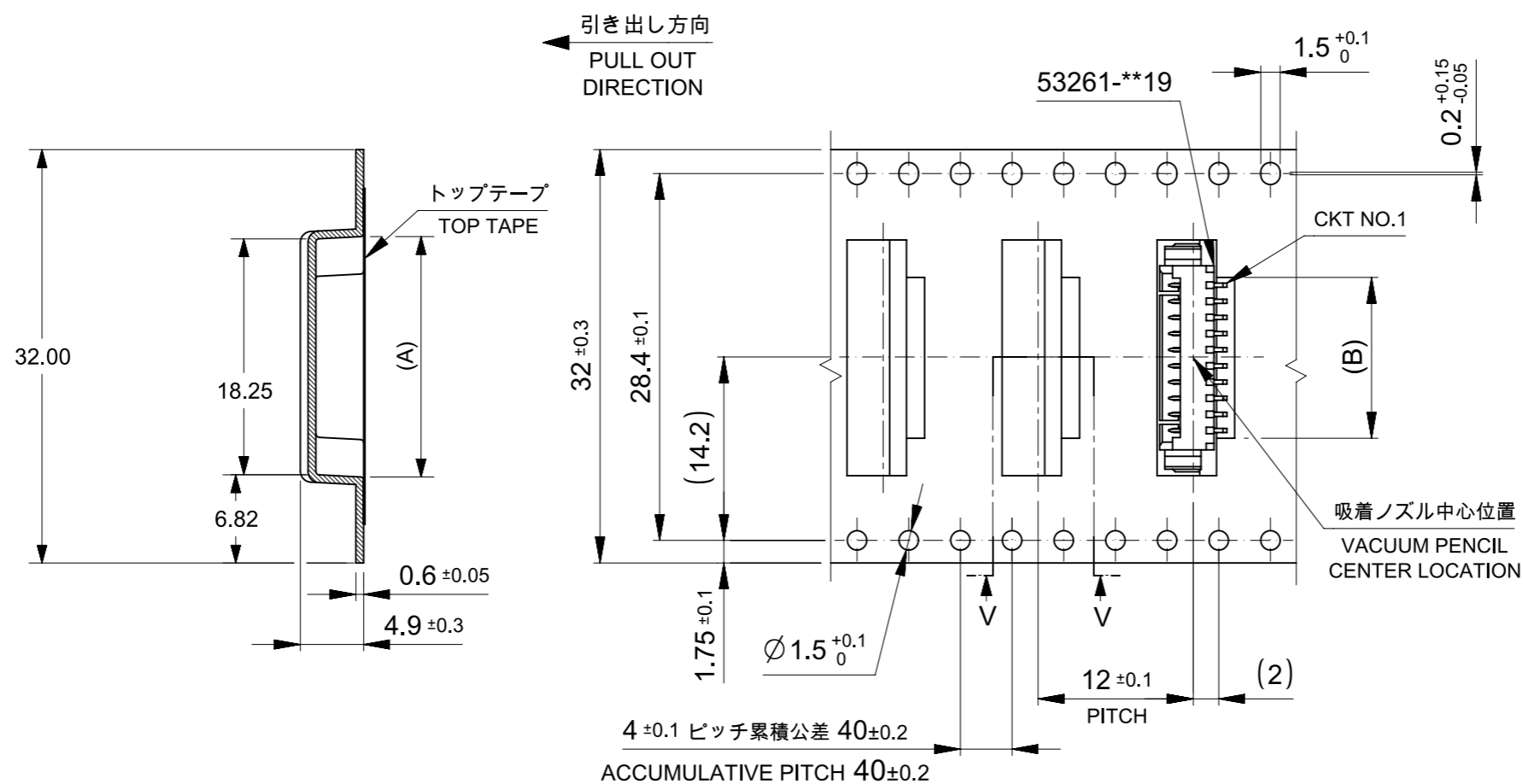
44	49.4	45.4	21.2	27	53261-1771	17	
			18.7	24.5	53261-1571	15	
			17.45	23.25	53261-1471	14	
キャリアテープ幅 CARRIER TAPE WIDTH		D	C	B	A	EMBOSSED TAPE PACKAGE オーダー番号 ORDER NO.	極数 CKT.

THIS DRAWING CONTAINS INFORMATION THAT IS PROPRIETARY TO MOLEX ELECTRONIC TECHNOLOGIES, LLC AND SHOULD NOT BE USED WITHOUT WRITTEN PERMISSION

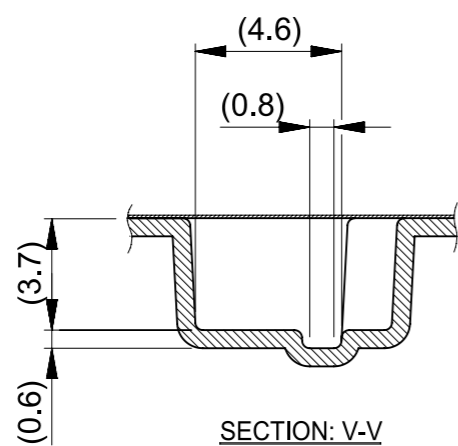
DIMENSION UNITS mm	SCALE NTS	CURRENT REV DESC:		molex			
GENERAL TOLERANCES (UNLESS SPECIFIED)		EC NO: 174889					PICOBLADE 1.25 W/B CONN. SMT R/A EMBOSSED TAPE PACKAGE
ANGULAR TOL	± 3.0 °	DRWN: SOBARA01	2018/02/07	PRODUCT CUSTOMER DRAWING			
4 PLACES	± 0.2	CHK'D: TKANEKO	2018/04/13	DOCUMENT NUMBER			
3 PLACES	± 0.2	APPR: TKANEKO	2018/04/13	SD-53261-023		DOC TYPE	
2 PLACES	± 0.2	INITIAL REVISION:		001	REVISION		
1 PLACE	± 0.2	DRWN: HSHIMABUKURO	2004/02/20	PSD			
0 PLACES	± 0.2	APPR: MSASAO	2004/02/20	E			
DRAFT WHERE APPLICABLE MUST REMAIN WITHIN DIMENSIONS		THIRD ANGLE PROJECTION	DRAWING	SERIES	MATERIAL NUMBER	CUSTOMER	SHEET NUMBER
			A3-SIZE	53261	SEE CHART	GENERAL MARKET	3 OF 4

DOCUMENT STATUS	RELEASE DATE
-----------------	--------------

53261-1071
 韓国生産分に適用
 APPLIES TO PRODUCT
 PRODUCED BY MXK



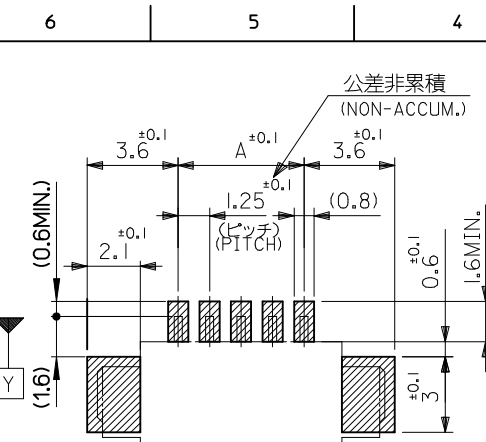
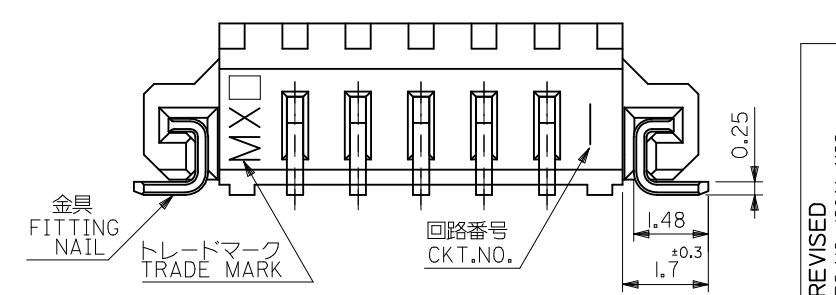
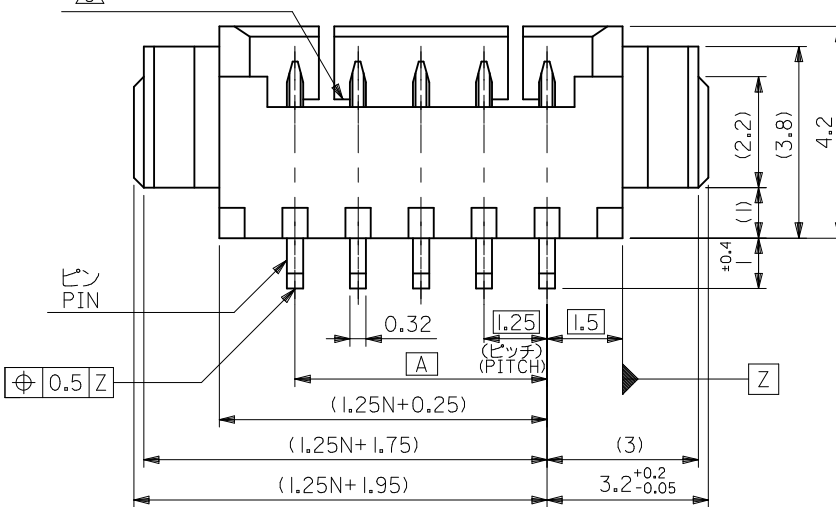
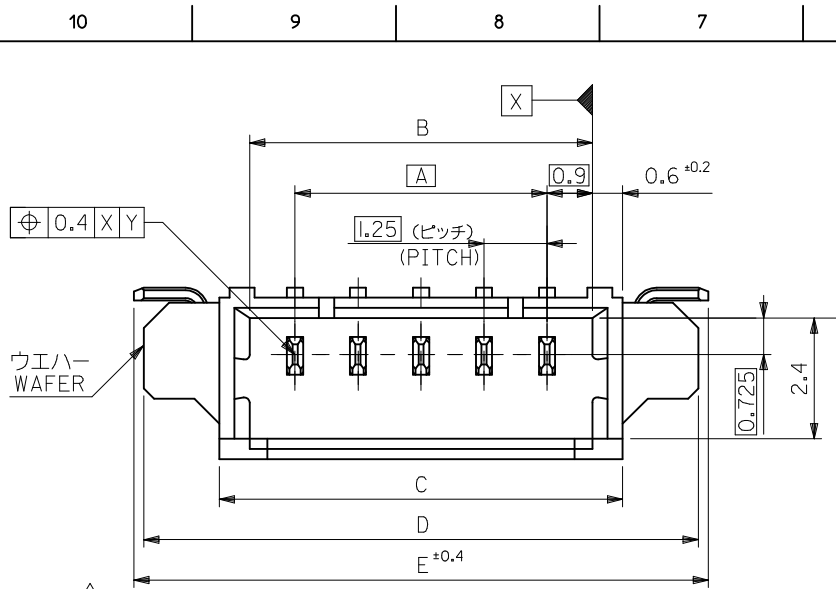
32mm幅キャリアテープ
 32mm WIDTH CARRIER TAPE



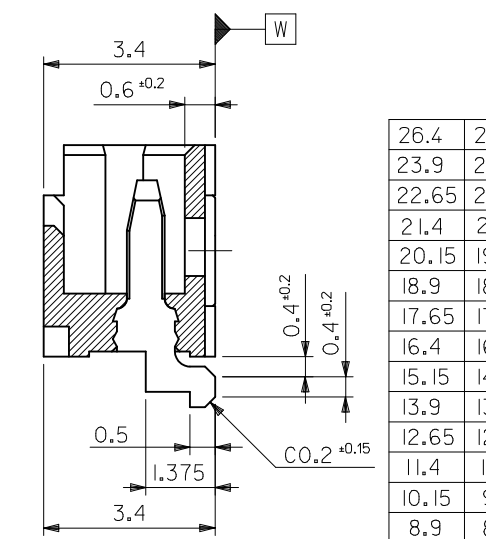
32	37.4	33.4	12.45	18.25	53261-1071	10
キャリアテープ幅 CARRIER TAPE WIDTH	D	C	B	A	EMBOSSSED TAPE PACKAGE	極数 CKT.
					オーダー番号 ORDER NO.	

THIS DRAWING CONTAINS INFORMATION THAT IS PROPRIETARY TO MOLEX ELECTRONIC TECHNOLOGIES, LLC AND SHOULD NOT BE USED WITHOUT WRITTEN PERMISSION		CURRENT REV DESC:		molex				
DIMENSION UNITS	SCALE	EC NO: 174889						PICOBLADE 1.25 W/B CONN. SMT R/A EMBOSSSED TAPE PACKAGE
mm	NTS	DRWN: SOBARA01 2018/02/07		PRODUCT CUSTOMER DRAWING				
GENERAL TOLERANCES (UNLESS SPECIFIED)		CHK'D: TKANEKO 2018/04/13		DOCUMENT NUMBER		DOC TYPE	DOC PART	REVISION
ANGULAR TOL	± 3.0 °	APPR: TKANEKO 2018/04/13		SD-53261-023		PSD	001	E
4 PLACES	± 0.2	INITIAL REVISION:		MATERIAL NUMBER		CUSTOMER		SHEET NUMBER
3 PLACES	± 0.2	DRWN: HSHIMABUKURO 2004/02/20		SEE CHART		GENERAL MARKET		4 OF 4
2 PLACES	± 0.2	APPR: MSASAO 2004/02/20		SERIES		SHEET NUMBER		
1 PLACE	± 0.2	DRAFT WHERE APPLICABLE MUST REMAIN WITHIN DIMENSIONS		A3-SIZE		4 OF 4		
0 PLACES	± 0.2	THIRD ANGLE PROJECTION		53261				

DOCUMENT STATUS	RELEASE DATE
-----------------	--------------



参考基板レイアウト
RECOMMENDED P.C.BOARD PATTERN DIM.(REF.)
(SCALE 5:1)



【断面図】
[CROSS SECTION]

注記 NOTES

- 嵌合相手: 51021 シリーズ
MATES WITH: 51021 SERIES
- 材質 MATERIAL
ウエハー: NYLON46, UL94V-0
ピン: リン青銅
: PHOS-BRO
: 銅メッキ 1.0 マイクロメートル以上
: TIN 1.0 MICROMETER MINIMUM
: ニッケル下地 1.0 マイクロメートル以上
: NICKEL(UNDER PLATING)1.0 MICROMETER MINIMUM
金具
FITTING NAIL: リン青銅
: PHOS-BRO
: 銅メッキ 1.0 マイクロメートル以上
: TIN 1.0 MICROMETER MINIMUM
: ニッケル下地 1.0 マイクロメートル以上
: NICKEL(UNDER PLATING)1.0 MICROMETER MINIMUM
- ロック窓は2、3極は1箇所、4極以上は2箇所とする。
LOCKING WINDOW: ONE PLACE FOR 2 AND 3 CKT. AND TWO PLACES FOR MORE THAN 3 CKT.
- ソリダール部のズレ量及び金具(補強板)のズレ量は基準面 [W] に対し、上方向 0.05MAX.、下方向に 0.1 MAX.とする。
OFFSET BETWEEN BASIS PLANE [W] TO SOLDER TAIL BOTTOM AND FITTING NAIL BOTTOM:
UPPER SIDE: 0.05MAX.
LOWER SIDE: 0.1MAX.
- 本製品は 53261-**-10 の鉛フリー品である。
THIS PRODUCT IS LEAD FREE OF 53261-**10
- ELV及びRoHS適合品
ELV AND RoHS COMPLIANT.
- ソルダーテール及び金具の平坦度は0.1以下。
SOLDER TAIL & FITTING NAIL COPLANARITY TO BE 0.1 MAX.

26.4	26	23	21.8	20	53261-1771	53261-1719	17
23.9	23.5	20.5	19.3	17.5	-1571	-1519	15
22.65	22.25	19.25	18.05	16.25	-1471	-1419	14
21.4	21	18	16.8	15	-1371	-1319	13
20.15	19.75	16.75	15.55	13.75	-1271	-1219	12
18.9	18.5	15.5	14.3	12.5	-1171	-1119	11
17.65	17.25	14.25	13.05	11.25	-1071	-1019	10
16.4	16	13	11.8	10	-0971	-0919	9
15.15	14.75	11.75	10.55	8.75	-0871	-0819	8
13.9	13.5	10.5	9.3	7.5	-0771	-0719	7
12.65	12.25	9.25	8.05	6.25	-0671	-0619	6
11.4	11	8	6.8	5	-0571	-0519	5
10.15	9.75	6.75	5.55	3.75	-0471	-0419	4
8.9	8.5	5.5	4.3	2.5	-0371	-0319	3

53261-**-19	7.65	7.25	4.25	3.05	1.25	53261-0271	53261-0219	2
MODEL NO.	E	D	C	B	A	EMBOSSED TAPE PKG ORDER No.	MATERIAL NO.	極数 CKT.

REVISED EC NO: J2016-1122 DRWN:QHEJ1 CHKD:SAKIYAMA APPR:TKANEKO	GENERAL TOLERANCES (UNLESS SPECIFIED)		DIMENSION STYLE		SCALE	DESIGN UNITS		THIRD ANGLE PROJECTION	
	0.25 UNDER	UNDER	±0.03	MM ONLY		10:1	METRIC		
	0.25 OVER	0.5 UNDER	±0.05	DRAWN BY	DATE	TITLE			
	0.5 OVER	1.0 UNDER	±0.1	HS HIMABU	04/02/06	1.25 WIRE TO BOARD WAFER ASS FOR SMT			
1.0 OVER	10 UNDER	±0.2	CHECKED BY	DATE					
10 OVER	30 UNDER	±0.25	KTOJO	04/02/06					
30 OVER		±0.3	APPROVED BY	DATE	SEE CHART		SD-53261-024		
ANGULAR	±3 °		MSASAO	04/02/06			SHEET NO. 1 OF 1		
DRAFT WHERE APPLICABLE MUST REMAIN WITHIN DIMENSIONS			SIZE	THIS DRAWING CONTAINS INFORMATION THAT IS PROPRIETARY TO MOLEX ELECTRONIC TECHNOLOGIES, LLC AND SHOULD NOT BE USED WITHOUT WRITTEN PERMISSION					
			A3						

Looking for pricing, stock, or lifecycle information?

Click below to explore more details on WIN SOURCE:

 [View 532610371 on WIN SOURCE](#)

 [Molex, LLC Information](#)

Optimize Your Supply Chain with WIN SOURCE Solutions

-  Global Sourcing Solution
-  Obsolete Management
-  Cost Control Management
-  Shortage Management
-  Alternative Solution
-  Excess Inventory Management