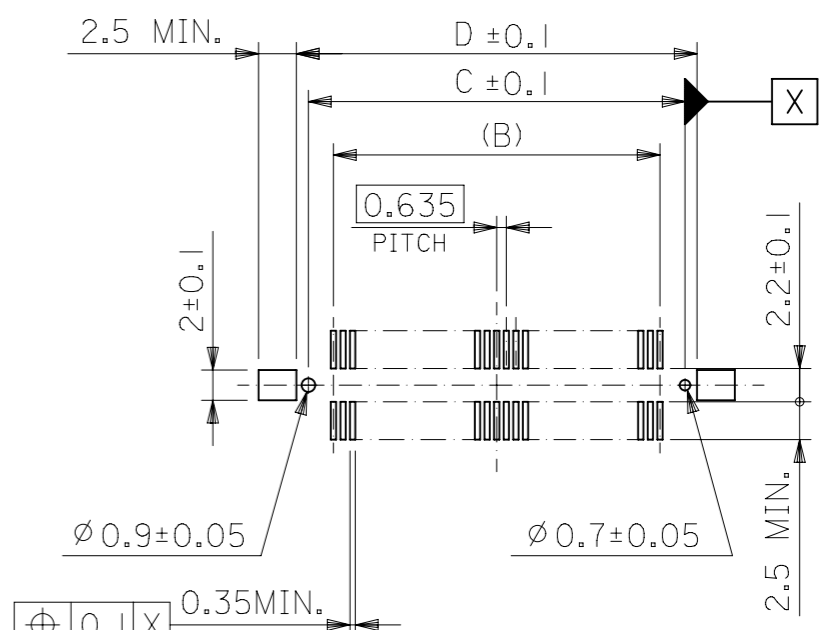
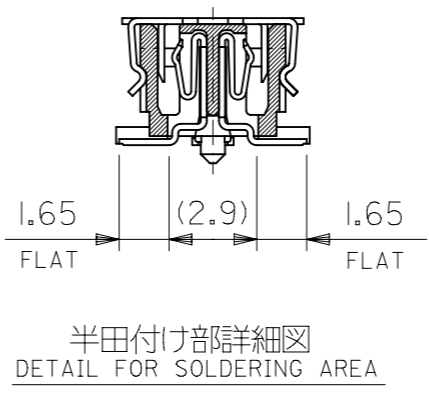
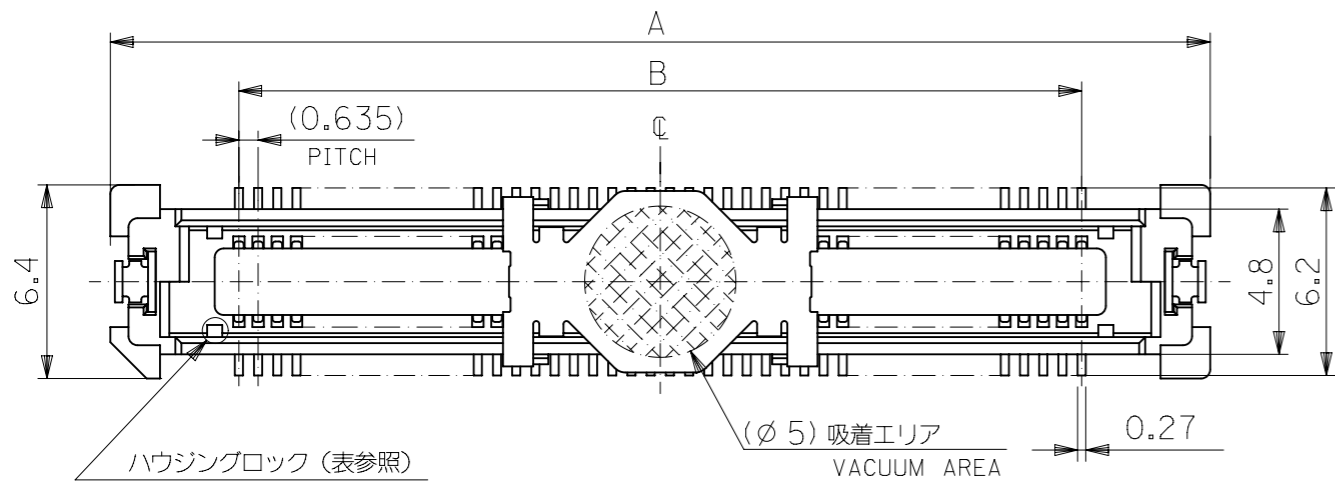




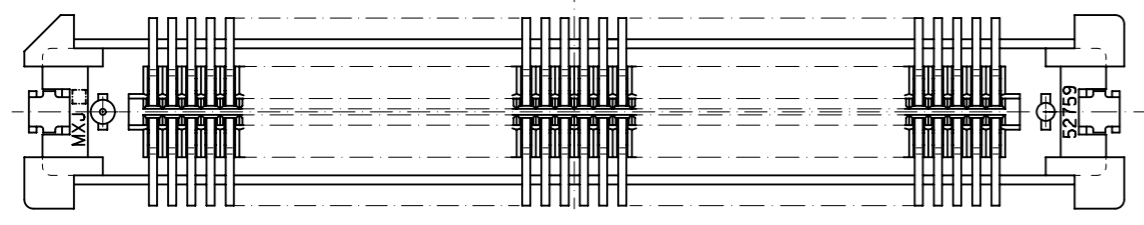
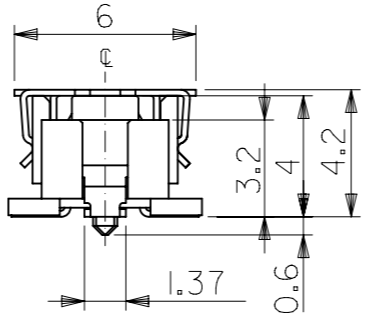
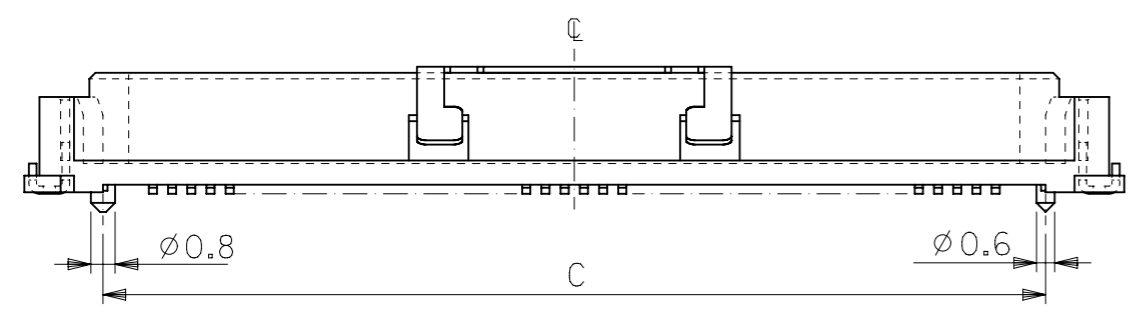
THE DATASHEET OF
528851474





推奨基板寸法 (参考)

RECOMMENDED PCB PATTERN LAYOUT (REF.)
(SCALE 2:1)

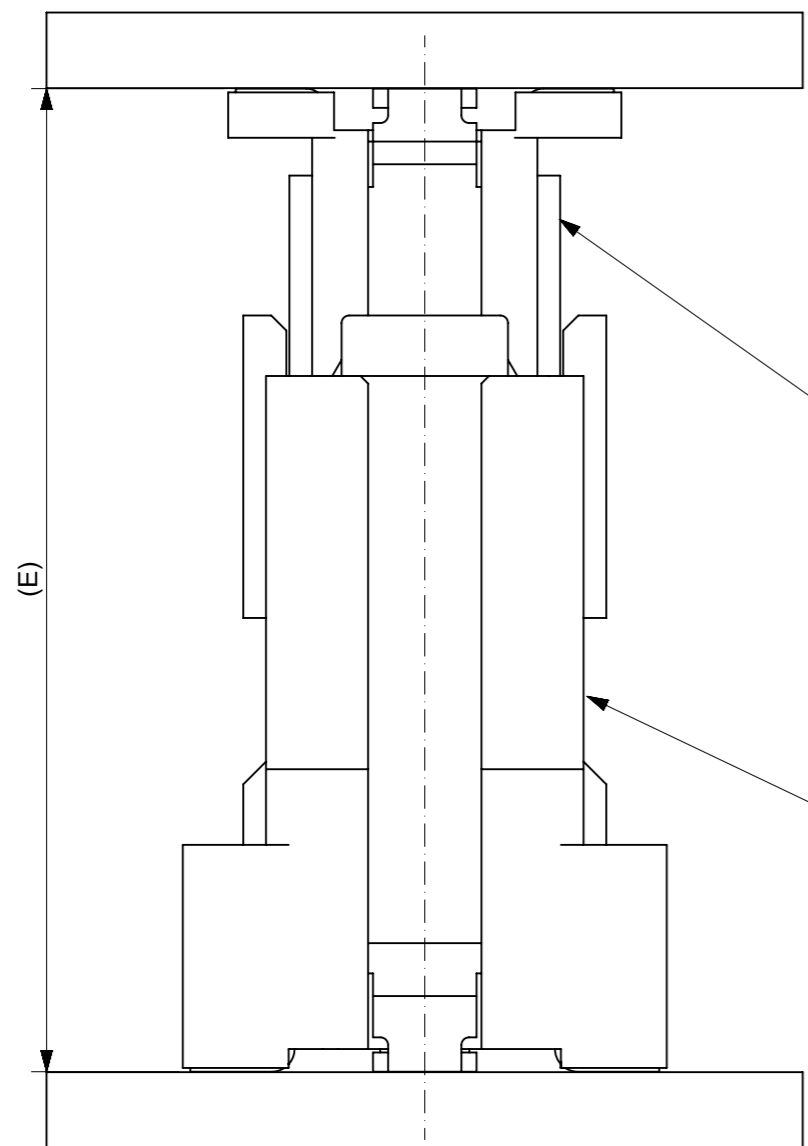


| | | | | | | |
|----------------------|------------|-------|--------|------------|---|------------|
| 無し WITHOUT | 80.47 | 78.87 | 75.565 | 84.07 | 52885-2474 | 240 |
| | 67.77 | 66.17 | 62.865 | 71.37 | 52885-2074 | 200 |
| | 61.42 | 59.82 | 56.515 | 65.02 | 52885-1874 | 180 |
| | 55.07 | 53.47 | 50.165 | 58.67 | 52885-1674 | 160 |
| | 48.72 | 47.12 | 43.815 | 52.32 | 52885-1474 | 140 |
| | 42.37 | 40.77 | 37.465 | 45.97 | 52885-1274 | 120 |
| | 36.02 | 34.42 | 31.115 | 39.62 | 52885-1074 | 100 |
| | 32.85 | 31.25 | 27.94 | 36.45 | 52885-0974 | 90 |
| | 29.67 | 28.07 | 24.765 | 33.27 | 52885-0874 | 80 |
| | 有り WITH | 26.5 | 24.90 | 21.59 | 30.1 | 52885-0774 |
| 23.32 | | 21.72 | 18.415 | 26.92 | 52885-0674 | 60 |
| 20.15 | | 18.55 | 15.24 | 23.75 | 52885-0574 | 50 |
| 16.97 | | 15.37 | 12.065 | 20.57 | 52885-0474 | 40 |
| 13.8 | | 12.2 | 8.89 | 17.4 | 52885-0374 | 30 |
| 10.62 | 9.02 | 5.715 | 14.22 | 52885-0274 | 20 | |
| ハウジングロック HSG LOCK | D | C | B | A | エンボス梱包 EMBOSSED PACKAGING オーダー番号 ORDER NO. | 極数 CKT |

注) NOTES

- 材質
MATERIAL
ハウジング: ガラス入りLCP、白色、UL94V-0
HOUSING: G.F.LCP, WHITE, UL94V-0
ターミナル: 銅合金 (t=0.2)
TERMINAL: COPPER ALLOY
吸着カバー: ステンレス (t=0.2)
VACUUM COVER: STAINLESS STEEL
補強金具: 銅合金 (t=0.25)
FITTING NAIL: COPPER ALLOY
- メッキ仕様
PLATING
ターミナル: 接点部: 金メッキ 0.25 マイクロメートル以上
CONTACT AREA: GOLD 0.25 MICROMETER MINIMUM
半田付け部: 錫メッキ 1.0 マイクロメートル以上
SOLDER TAIL AREA: TIN 1.0 MICROMETER MINIMUM
下地メッキ: ニッケルメッキ 1.5 マイクロメートル以上
UNDER-PLATING: NICKEL 1.5 MICROMETER MINIMUM
補強金具: 錫メッキ 1.0 マイクロメートル以上
FITTING NAIL: TIN 1.0 MICROMETER MINIMUM
下地メッキ: ニッケルメッキ 1.0 マイクロメートル以上
UNDER-PLATING: NICKEL 1.0 MICROMETER MINIMUM
- テールのバラツキ寸法
TAIL COPLANARITY
240極以下品のテール平坦度は0.1MAX.、
240極品のテール平坦度は0.12MAX.とする。
TAILS COPLANARITY TO BE 0.1MAX.
IN 240 CIRCUITS, TAILS COPLANARITY TO BE 0.12MAX.
- エンボス対応済みの極数については、SD-52885-004を参照下さい。
FOR THE EMBOSSED PACKAGE PRODUCTS, SEE SD-52885-004.

| | | | |
|--|--------|---|-----------------|
| GENERAL TOLERANCES (UNLESS SPECIFIED) | | THIS DRAWING CONTAINS INFORMATION THAT IS PROPRIETARY TO MOLEX ELECTRONIC TECHNOLOGIES, LLC AND SHOULD NOT BE USED WITHOUT WRITTEN PERMISSION | |
| 10 UNDER | ± 0.2 | DIMENSION UNITS | SCALE |
| 10 OVER 30 UNDER | ± 0.25 | mm | - |
| 30 OVER | ± 0.3 | CURRENT REV DESC: | |
| ANGULAR ± 3 ° | | EC NO: 602629 | |
| DRAFT WHERE APPLICABLE MUST REMAIN WITHIN DIMENSIONS | | DRWN: RMIYAMOTO 2018/08/16 | |
| | | CHK'D: KSASAKI 2018/08/17 | |
| | | APPR: TKUSUHARA01 2018/08/17 | |
| | | INITIAL REVISION: | |
| | | DRWN: MNAGATA 2004/03/19 | |
| | | APPR: MSASAO 2004/03/19 | |
| | | THIRD ANGLE PROJECTION | DRAWING |
| | | ⊕ | A3-SIZE |
| | | SERIES | MATERIAL NUMBER |
| | | 52885 | SEE CHART |
| | | CUSTOMER | SHEET NUMBER |
| | | GENERAL MARKET | 1 OF 2 |

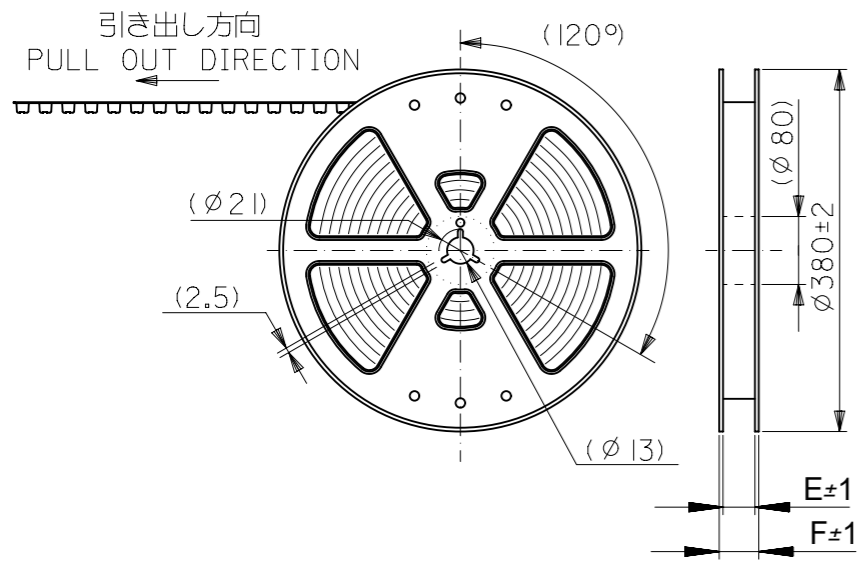


55091 series
53625 series
53647 series
53649 series
53627 series
Plug

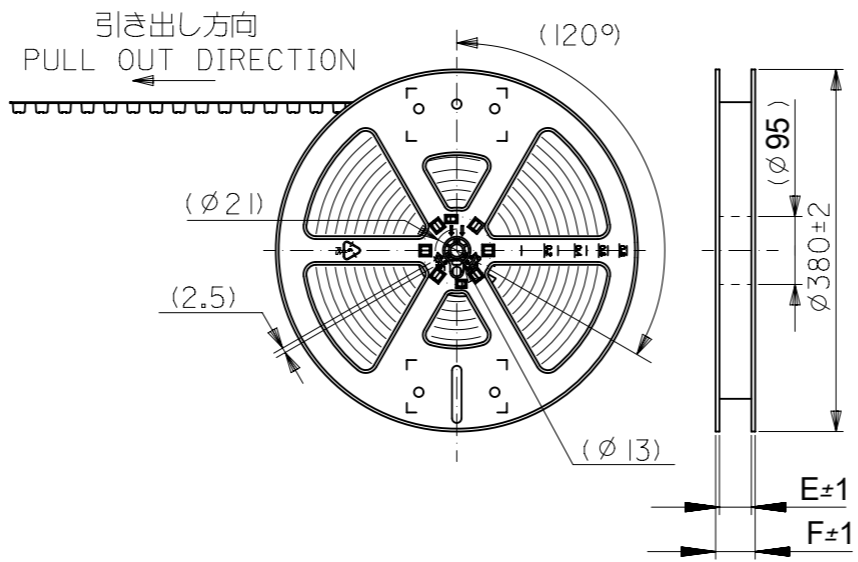
52885 series
52901 series
Receptacle

| 嵌合高さ一覧 Stacking Height variation | | | |
|-------------------------------------|---------------------------|----------------------|--------------|
| ○ | 6 | 52885 series | 55091 series |
| ○ | 7 | | 53625 series |
| ○ | 8 | | 53647 series |
| ○ | 9 | | 53649 series |
| ○ | 10 | | 53627 series |
| | 12 | 52901 series | 55091 series |
| | 13 | | 53625 series |
| | 14 | | 53647 series |
| | 15 | | 53649 series |
| | 16 | | 53627 series |
| 本図製品該当高さ Height Application | 嵌合高さ E Stacking Height | リセプタクル Receptacle | プラグ Plug |

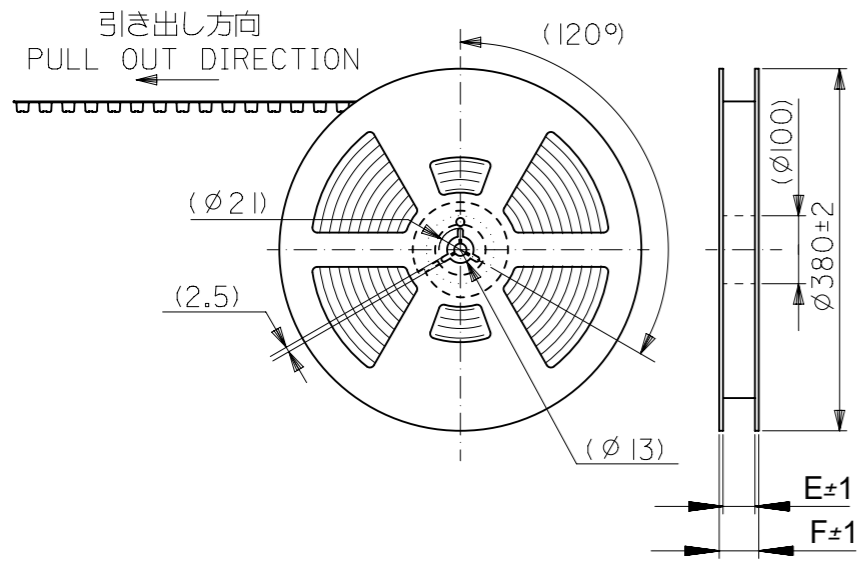
| GENERAL TOLERANCES (UNLESS SPECIFIED) | | THIS DRAWING CONTAINS INFORMATION THAT IS PROPRIETARY TO MOLEX ELECTRONIC TECHNOLOGIES, LLC AND SHOULD NOT BE USED WITHOUT WRITTEN PERMISSION | | CURRENT REV DESC: | | | molex | | | | | | | | | |
|--|--------|---|--------|--|--|--|---|--|--|--------------|----------|-----|----------------|-----|----------|--------|
| 10 UNDER | ± 0.2 | DIMENSION UNITS | SCALE | EC NO: 602629 DRWN: RMIYAMOTO 2018/08/16 CHK'D: KSASAKI 2018/08/17 APPR: TKUSUHARA01 2018/08/17 INITIAL REVISION: DRWN: MNAGATA 2004/03/19 APPR: MSASAO 2004/03/19 | | | 0.635 PITCH B TO B S/T REC. HSG ASSY -LEAD FREE- | | | | | | | | | |
| 10 OVER 30 UNDER | ± 0.25 | mm | - | | | | PRODUCT CUSTOMER DRAWING | | | | | | | | | |
| 30 OVER | ± 0.3 | GENERAL TOLERANCES (UNLESS SPECIFIED) | | | | | DOCUMENT NUMBER | | | SD-52885-003 | DOC TYPE | PSD | DOC PART | 001 | REVISION | E |
| ANGULAR | ± 3 ° | ANGULAR TOL | ± 30 ° | | | | MATERIAL NUMBER | | | SEE CHART | CUSTOMER | | GENERAL MARKET | | | |
| DRAFT WHERE APPLICABLE MUST REMAIN WITHIN DIMENSIONS | | 4 PLACES | ± 0.2 | | | | SERIES | | | A3-SIZE | 52885 | | SHEET NUMBER | | | 2 OF 2 |
| | | 3 PLACES | ± 0.25 | THIRD ANGLE PROJECTION | | | | | | | | | | | | |
| | | 2 PLACES | ± 0.3 | DRAWING | | | | | | | | | | | | |
| | | 1 PLACE | ± | MATERIAL NUMBER | | | | | | | | | | | | |
| | | 0 PLACES | ± | CUSTOMER | | | | | | | | | | | | |
| | | DRAFT WHERE APPLICABLE MUST REMAIN WITHIN DIMENSIONS | | SHEET NUMBER | | | | | | | | | | | | |



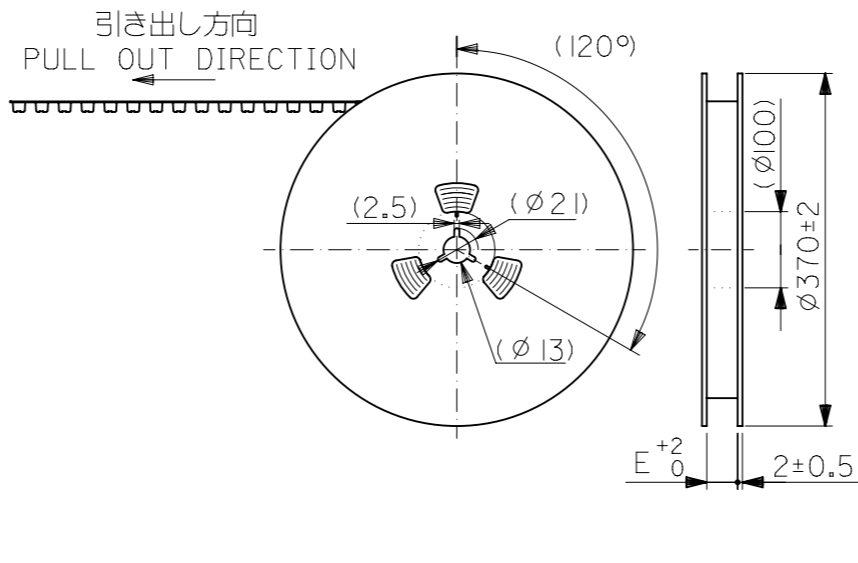
キャリアテープ幅：24mm～56mm
CARRIER TAPE WIDTH : 24mm-56mm



キャリアテープ幅：72mm
CARRIER TAPE WIDTH : 72mm



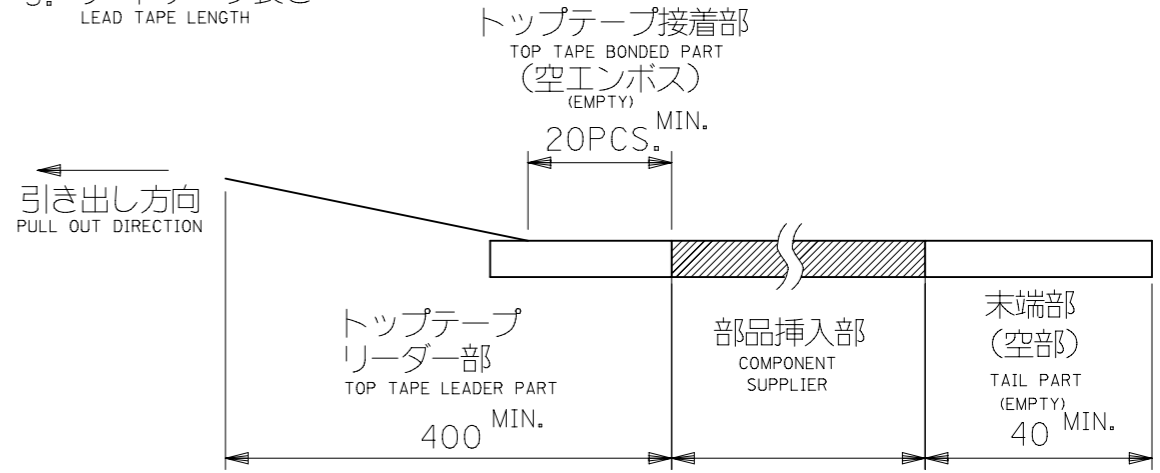
キャリアテープ幅：88mm
CARRIER TAPE WIDTH : 88mm



キャリアテープ幅：104mm
CARRIER TAPE WIDTH : 104mm

注)
NOTES

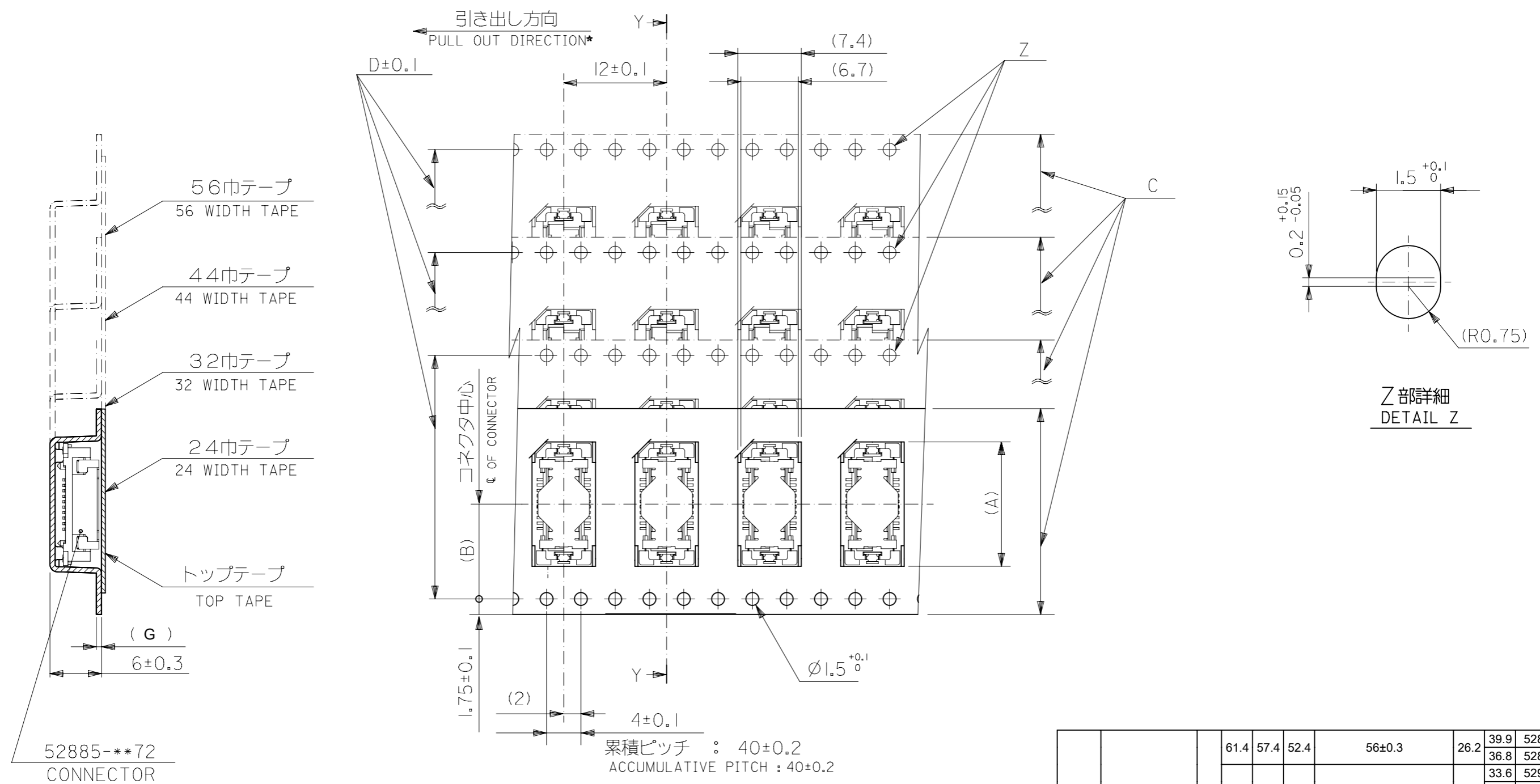
- 製品番号 52885-**72 の詳細寸法については SD-52885-003 を参照下さい。
IN THE PACKAGE , PART NO. 52885-**72 DETAILED DIMENSIONS , SEE SD-52885-003
- 梱包数量 : 1000個/リール
NUMBER OF CONNECTORS : 1000 PCS/REEL
- リードテープ長さ
LEAD TAPE LENGTH



4. 材料

MATERIAL
 キャリアテープ : ポリプロピレン (PP) : 180極以外
 ポリスチレン (PS) : 180極のみ
 CARRIER TAPE : POLYPROPYLENE (PP) : OTHER THAN 180CKT
 POLYSTYRENE (PS) : 180CKT ONLY
 トップテープ : PET, PE, PEF
 TOP TAPE : PET, PE, PEF
 リール : キャリアテープ幅 24mm～88mm : ポリスチレン
 REEL : CARRIER TAPE WIDTH 24mm-88mm : POLYSTYRENE
 キャリアテープ幅 104mm : 紙
 CARRIER TAPE WIDTH 104mm : CARD BOARD

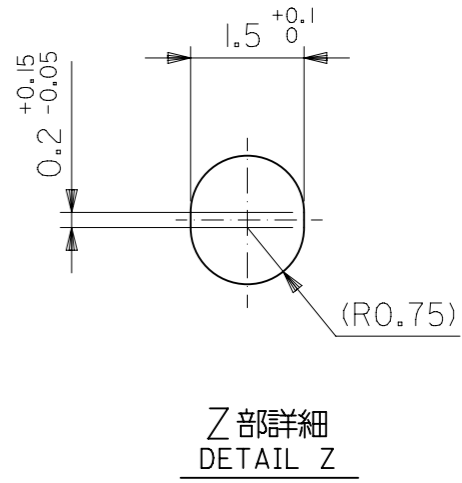
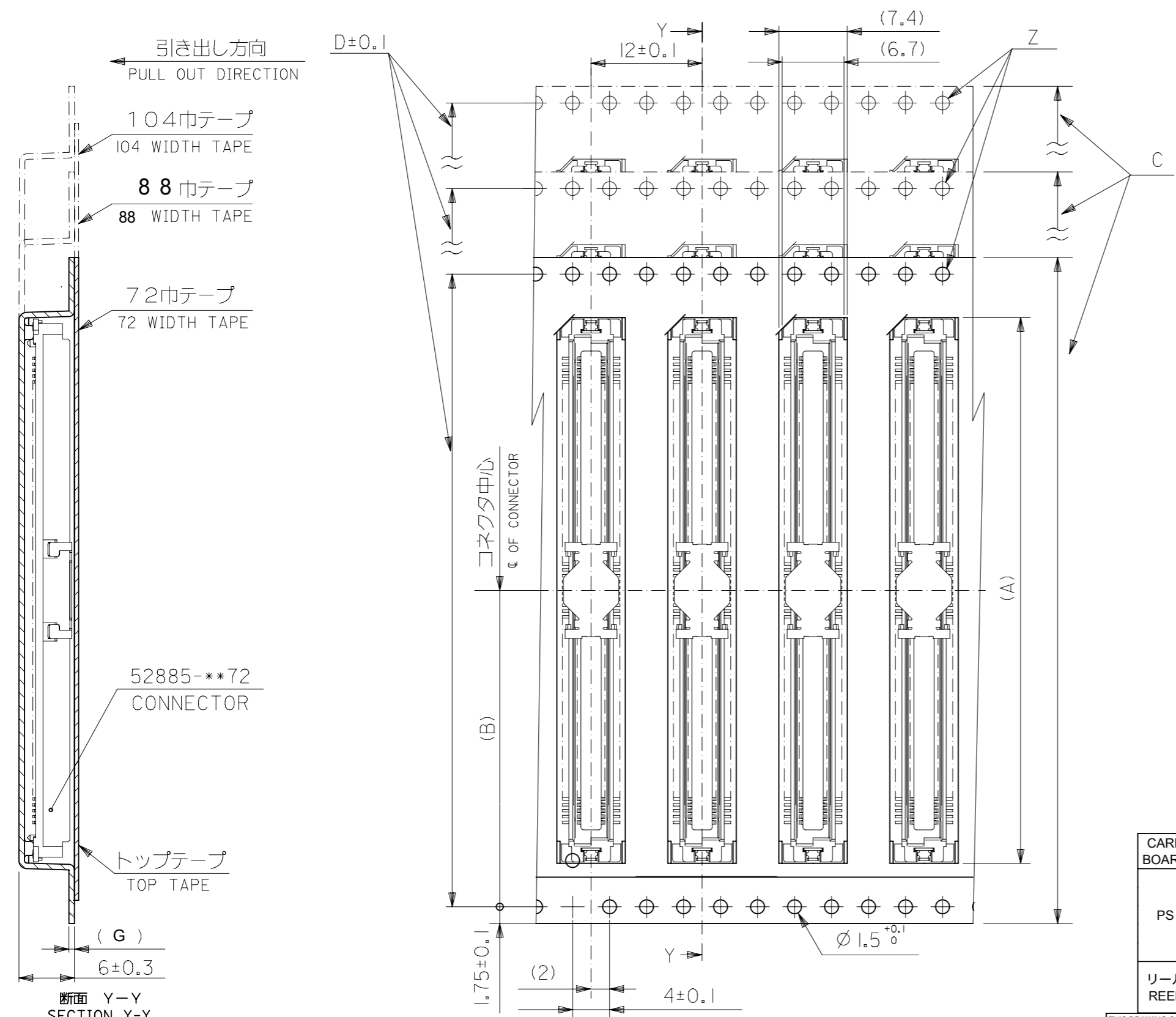
| | | | | | |
|---|-------|--|--------------|--------------------------|----------------|
| THIS DRAWING CONTAINS INFORMATION THAT IS PROPRIETARY TO MOLEX ELECTRONIC TECHNOLOGIES, LLC AND SHOULD NOT BE USED WITHOUT WRITTEN PERMISSION | | CURRENT REV DESC: | | molex | |
| DIMENSION UNITS | SCALE | 52885-**72 TAPING PACKAGE -LEAD FREE- | | | |
| mm | - | EC NO: 175909 | | PRODUCT CUSTOMER DRAWING | |
| GENERAL TOLERANCES (UNLESS SPECIFIED) | | DRWN: RMIYAMOTO | 2018/03/16 | DOCUMENT NUMBER | |
| ANGULAR TOL | ± ° | CHK'D: KSASAKI | 2018/05/01 | SD-52885-004 | |
| 4 PLACES | ± | APPR: RTAKEUCHI | 2018/05/01 | DOC TYPE | DOC PART |
| 3 PLACES | ± | INITIAL REVISION: | | PSD | 001 |
| 2 PLACES | ± | DRWN: MNAGATA | 2004/03/19 | REVISION | |
| 1 PLACE | ± | APPR: MSASAO | 2004/03/19 | F | |
| 0 PLACES | ± | DRAFT WHERE APPLICABLE MUST REMAIN WITHIN DIMENSIONS | | MATERIAL NUMBER | CUSTOMER |
| THIRD ANGLE PROJECTION | | DRAWING | SERIES | SEE CHART | GENERAL MARKET |
| A3-SIZE | | 52885 | SHEET NUMBER | 1 OF 3 | |



| | | | | | | | | | | | |
|-------------|-------------------------|-----|------|------|------|-------------------------------------|------|------|---------------------|------------|----|
| PS | PP | 0.6 | 61.4 | 57.4 | 52.4 | 56 ± 0.3 | 26.2 | 39.9 | 52885-1074 | 100 | |
| | | | | | | | | 36.8 | 52885-0974 | 90 | |
| | | | | | | | | | 33.6 | 52901-0874 | 80 |
| | | | | | | | | | 30.4 | 52885-0774 | 70 |
| | | | | | | | | | 27.2 | 52885-0674 | 60 |
| | | | | | | | | | 24.1 | 52885-0574 | 50 |
| | | | 37.4 | 33.4 | 28.4 | 32 ± 0.3 | 14.2 | 20.9 | 52885-0474 | 40 | |
| | | | 29.4 | 25.4 | - | 24 ± 0.3 | 11.5 | 17.7 | 52885-0374 | 30 | |
| | | | | | | | | 14.5 | 52885-0274 | 20 | |
| リール REEL | キャリアテープ CARRIER TAPE | G | F | E | D | C キャリアテープ幅 CARRIER TAPE WIDTH | B | A | オーダー番号 ORDER NO. | 極数 CKT | |

THIS DRAWING CONTAINS INFORMATION THAT IS PROPRIETARY TO MOLEX ELECTRONIC TECHNOLOGIES, LLC AND SHOULD NOT BE USED WITHOUT WRITTEN PERMISSION

| | | | | | |
|--|------------------------|----------------------------|--------|----------------------------|----------------|
| DIMENSION UNITS mm | SCALE - | CURRENT REV DESC: | | molex | |
| GENERAL TOLERANCES (UNLESS SPECIFIED) | | | | | |
| ANGULAR TOL ± ° | | EC NO: 175909 | | 52885-***72 | |
| 4 PLACES ± | | DRWN: RMIYAMOTO 2018/03/16 | | TAPING PACKAGE -LEAD FREE- | |
| 3 PLACES ± | | CHK'D: KSASAKI 2018/05/01 | | PRODUCT CUSTOMER DRAWING | |
| 2 PLACES ± | | APPR: RTAKEUCHI 2018/05/01 | | DOCUMENT NUMBER | |
| 1 PLACE ± | | INITIAL REVISION: | | SD-52885-004 | |
| 0 PLACES ± | | DRWN: MNAGATA 2004/03/19 | | DOC TYPE | |
| | | APPR: MSASAO 2004/03/19 | | PSD | |
| DRAFT WHERE APPLICABLE MUST REMAIN WITHIN DIMENSIONS | THIRD ANGLE PROJECTION | DRAWING | SERIES | MATERIAL NUMBER | CUSTOMER |
| | | A3-SIZE | 52885 | SEE CHART | GENERAL MARKET |
| | | | | | SHEET NUMBER |
| | | | | | 2 OF 3 |



累積ピッチ : 40±0.2
ACCUMULATIVE PITCH : 40±0.2

| CARD BOARD | PP | 0.6 | - | 104.4 | 100.4 | 104±0.3 | 50.2 | 84.4 | 52885-2474 | 240 |
|------------|----------------------|-----|------|-------|-------|----------------------------------|------|------|------------------|--------|
| PS | PS | 0.5 | 94 | 90 | 84.4 | 88±0.3 | 42.2 | 71.7 | 52885-2074 | 200 |
| | | | | | | | | 65.4 | 52885-1874 | 180 |
| | PP | 0.6 | 78.1 | 73.5 | 68.4 | 72±0.3 | 34.2 | 52.6 | 52885-1474 | 140 |
| | | | | | | | | 46.3 | 52885-1274 | 120 |
| リール REEL | キャリアテープ CARRIER TAPE | G | F | E | D | C キャリアテープ幅 CARRIER TAPE WIDTH | B | A | オーダー番号 ORDER NO. | 極数 CKT |

THIS DRAWING CONTAINS INFORMATION THAT IS PROPRIETARY TO MOLEX ELECTRONIC TECHNOLOGIES, LLC AND SHOULD NOT BE USED WITHOUT WRITTEN PERMISSION

| | | | | | |
|--|------------------------|----------------------------|--|----------------------------|--------------------------|
| DIMENSION UNITS: mm | SCALE: - | CURRENT REV DESC: | molex | | |
| GENERAL TOLERANCES (UNLESS SPECIFIED) | | | | | |
| ANGULAR TOL ± ° | | EC NO: 175909 | 52885-**72 TAPING PACKAGE -LEAD FREE- | | |
| 4 PLACES ± | | DRWN: RMIYAMOTO 2018/03/16 | | | |
| 3 PLACES ± | | CHK'D: KSASAKI 2018/05/01 | PRODUCT CUSTOMER DRAWING | | |
| 2 PLACES ± | | APPR: RTAKEUCHI 2018/05/01 | | | |
| 1 PLACE ± | | INITIAL REVISION: | DOCUMENT NUMBER: SD-52885-004 | | |
| 0 PLACES ± | | DRWN: MNAGATA 2004/03/19 | | | |
| | | APPR: MSASAO 2004/03/19 | DOC TYPE: PSD | DOC PART: 001 | REVISION: F |
| DRAFT WHERE APPLICABLE MUST REMAIN WITHIN DIMENSIONS | THIRD ANGLE PROJECTION | DRAWING: A3-SIZE | SERIES: 52885 | MATERIAL NUMBER: SEE CHART | CUSTOMER: GENERAL MARKET |
| | | | | | SHEET NUMBER: 3 OF 3 |

Looking for pricing, stock, or lifecycle information?

Click below to explore more details on WIN SOURCE:

 [View 528851474 on WIN SOURCE](#)

 [Molex, LLC Information](#)

Optimize Your Supply Chain with WIN SOURCE Solutions

-  Global Sourcing Solution
-  Obsolete Management
-  Cost Control Management
-  Shortage Management
-  Alternative Solution
-  Excess Inventory Management