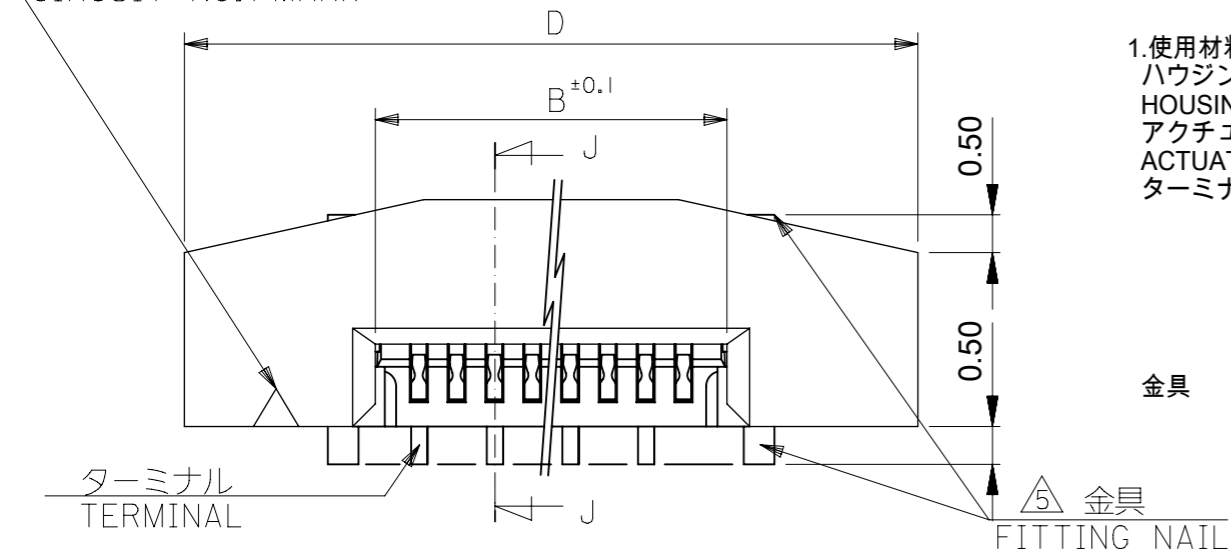




THE DATASHEET OF
525593052



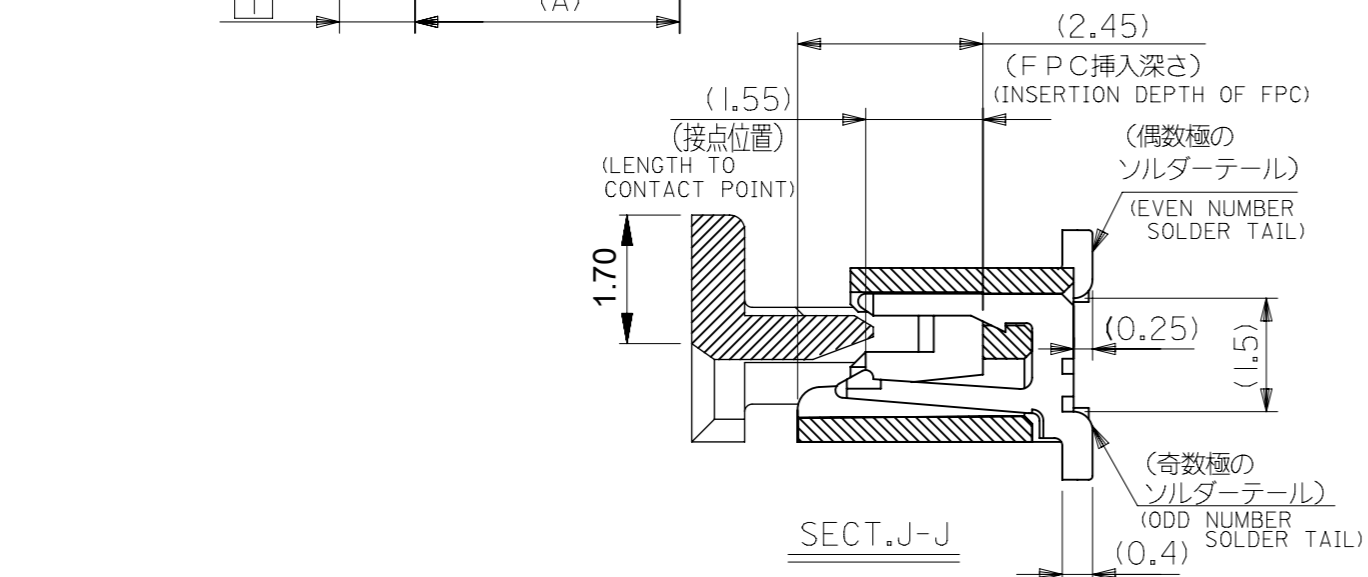
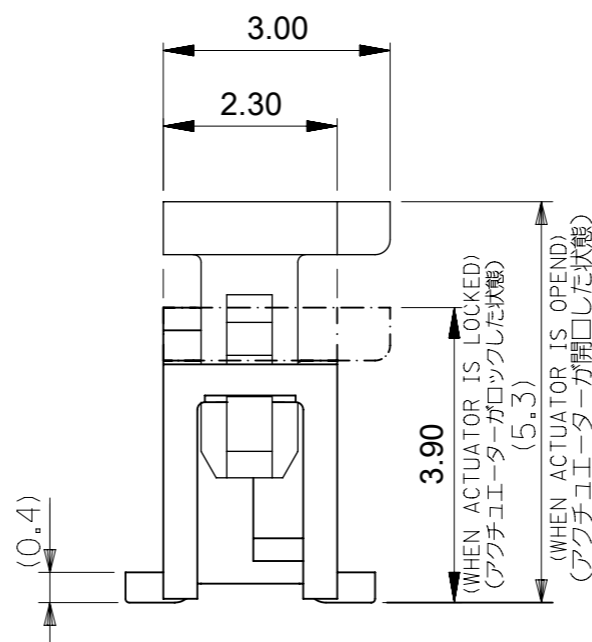
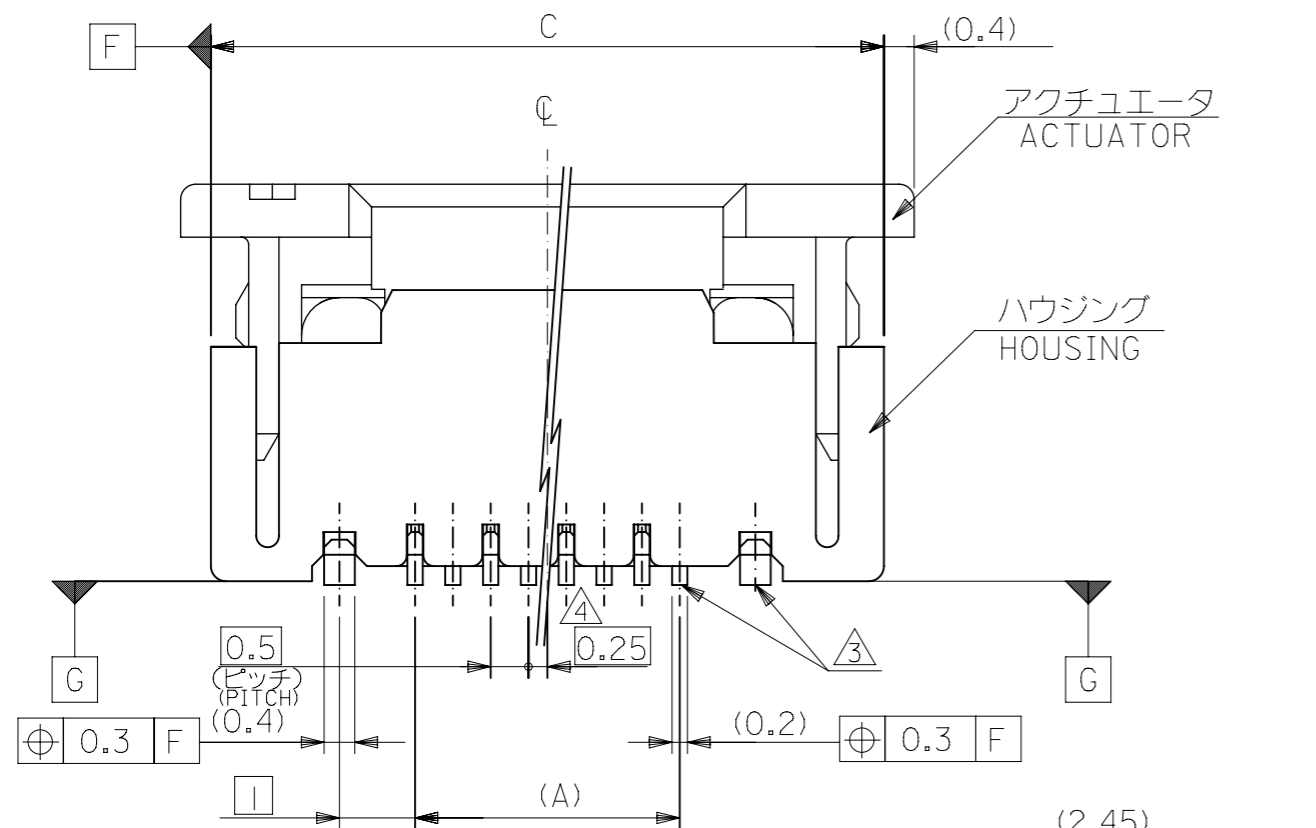
回路番号1用マーク
CIRCUIT NO.1 MARK



1.使用材料 MATERIAL

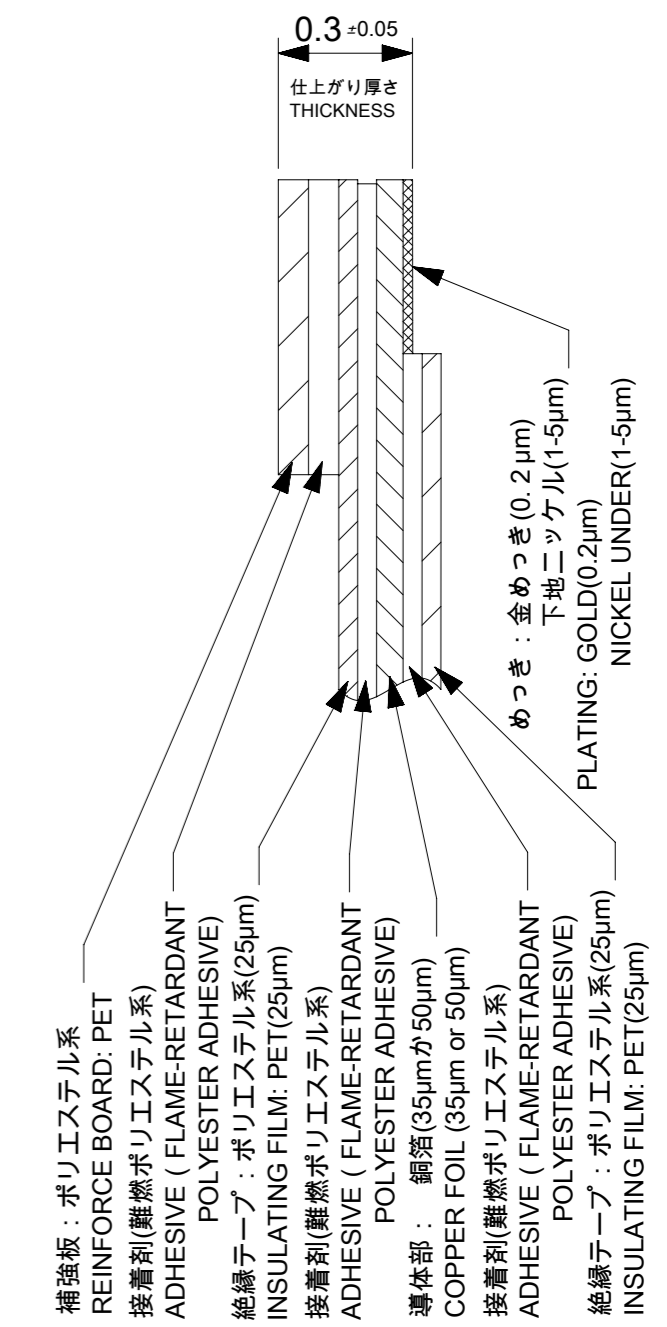
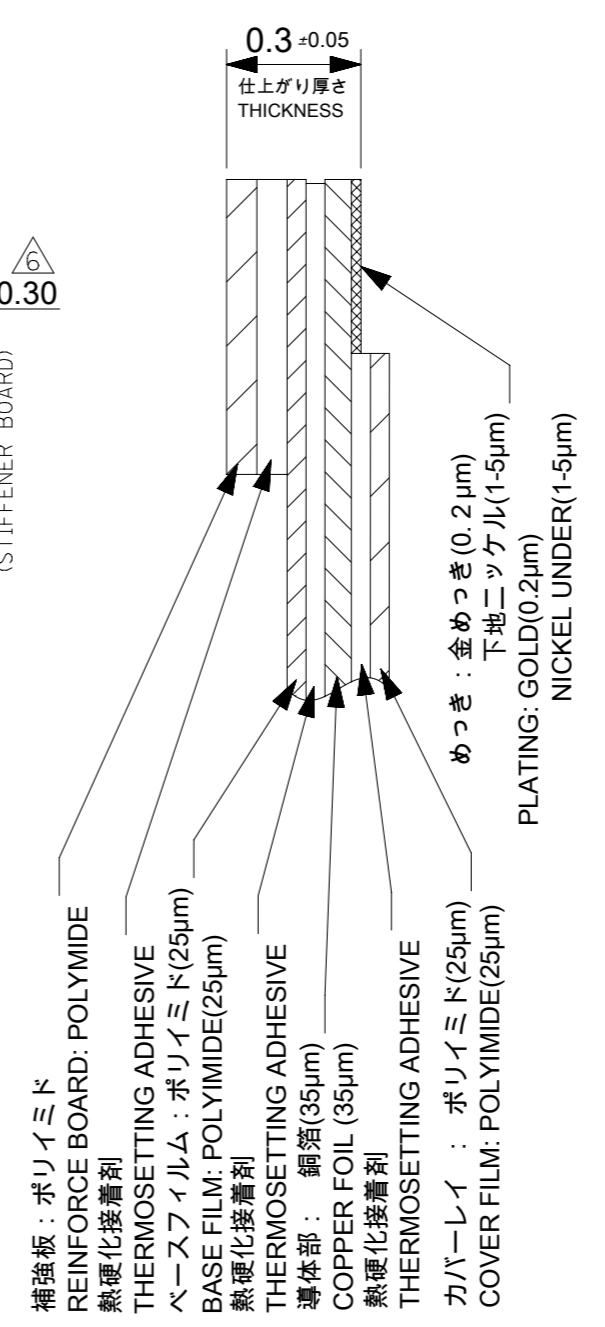
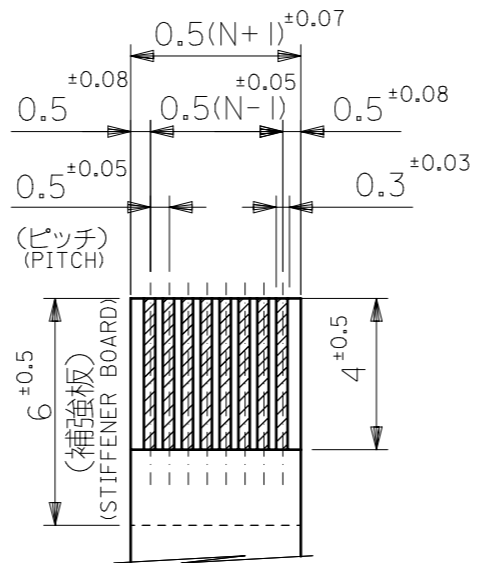
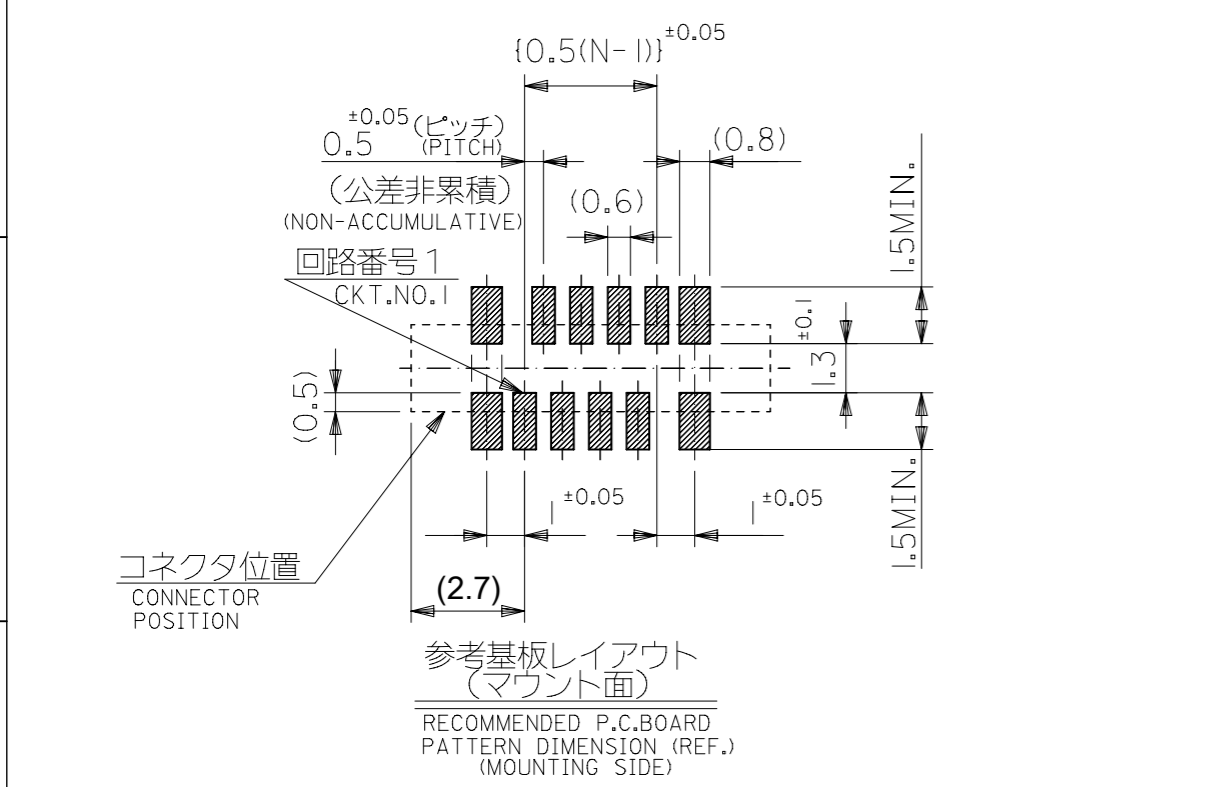
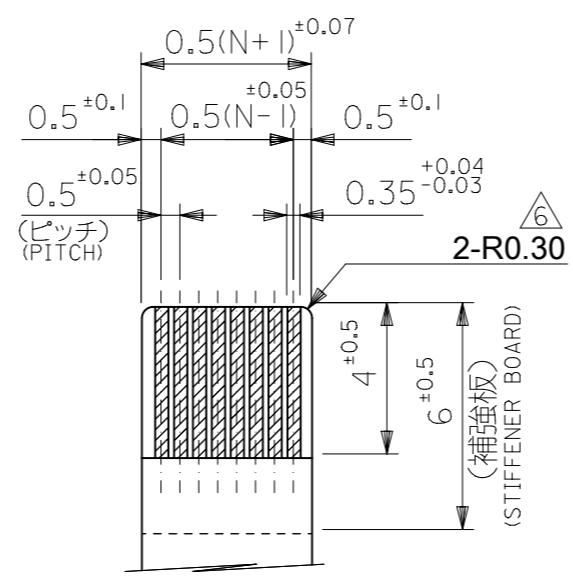
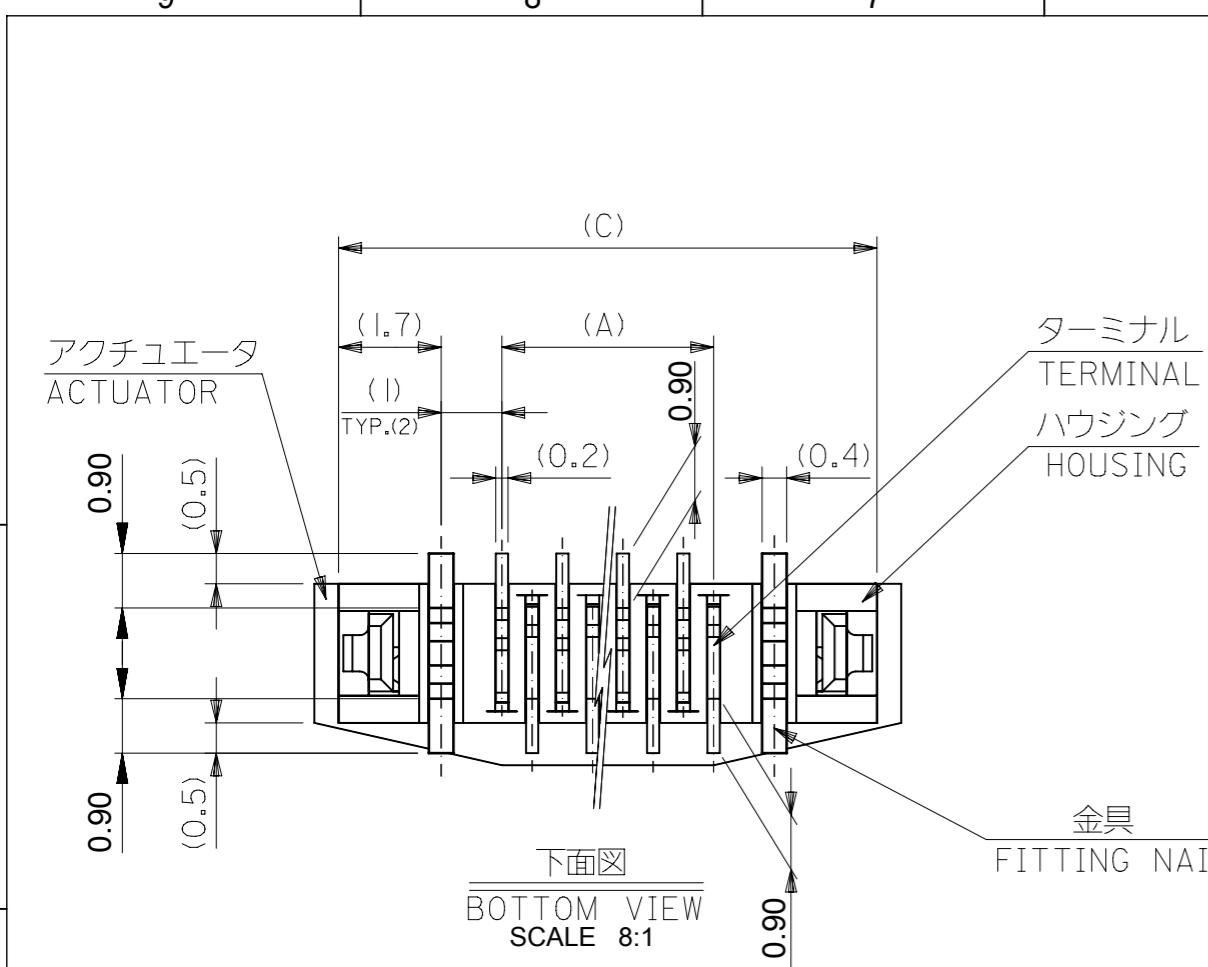
- ハウジング : 46ナイロン、UL94V-0
- HOUSING : PA46, UL94V-0
- アクチュエータ : ポリフェニレンサルファイド (PPS)、UL94V-0
- ACTUATOR : PPS, UL94V-0
- ターミナル : リン青銅(t=0.2) PHOS-BRO(t = 0.2)
- 接点部 金メッキ 0.1マイクロメートル以上
- CONTACT GOLD 0.1 MICROMETER MINIMUM
- 半田付け部 錫メッキ 1.0マイクロメートル以上
- TAIL TIN 1.0 MICROMETER MINIMUM
- ニッケル下地 1.0マイクロメートル以上
- NICKEL(UNDER PLATING) 1.0 MICROMETER MINIMUM
- リン青銅(t=0.4) PHOS-BRO(t = 0.4)
- 錫メッキ 1.0マイクロメートル以上
- TIN 1.0 MICROMETER MINIMUM
- ニッケル下地 1.0マイクロメートル以上
- NICKEL(UNDER PLATING) 1.0 MICROMETER MINIMUM

- 2.エンボステープ梱包時はアクチュエータがロックした状態とする。
IN THE PACKAGE, ACTUATOR OF PART NO.52559-**79 SHOULD BE LOCKED.
- 3.ソルダーテール半田付け面のズレ量、および金具半田付け面のズレ量は基準面 G に対し上方向 0.05MAXIMUM、下方向 0.15MAXIMUMとする。
MISALIGNMENT OF SOLDER TAILS AND FITTING NAILS FROM DATUM-G UPPER DIRECTION : 0.05MAXIMUM, LOWER DIRECTION : 0.15 MAXIMUM.
- 4.偶数極に適用。
APPLY FOR EVEN CIRCUIT.
- 5.パターンはく離止め金具。
FITTING NAIL FOR PREVENTION OF PEELING OF P.W.BOARD PATTERN.
- 6.R0.3は、FPCの導体部にかからないこと
R0.3 MUST NOT BE OVERLAPPED TO PATTERN OF FPC.



25.7	24.9	20.65	19.5	52559-4052	40
23.7	22.9	18.65	17.5	52559-3652	36
21.7	20.9	16.65	15.5	52559-3252	32
20.7	19.9	15.65	14.5	52559-3052	30
19.7	18.9	14.65	13.5	52559-2852	28
19.2	18.4	14.15	13.0	52559-2752	27
18.7	17.9	13.65	12.5	52559-2652	26
17.7	16.9	12.65	11.5	52559-2452	24
17.2	16.4	12.15	11.0	52559-2352	23
16.2	15.4	11.15	10.0	52559-2152	21
15.7	14.9	10.65	9.5	52559-2052	20
14.2	13.4	9.15	8.0	52559-1752	17
13.7	12.9	8.65	7.5	52559-1652	16
13.2	12.4	8.15	7.0	52559-1552	15
12.7	11.9	7.65	6.5	52559-1452	14
11.7	10.9	6.65	5.5	52559-1252	12
10.7	9.90	5.65	4.5	52559-1052	10
10.2	9.40	5.15	4.0	52559-0952	9
8.70	7.90	3.65	2.5	52559-0652	6
D	C	B	(A)	ORDER No.	CKT.

THIS DRAWING CONTAINS INFORMATION THAT IS PROPRIETARY TO MOLEX ELECTRONIC TECHNOLOGIES, LLC AND SHOULD NOT BE USED WITHOUT WRITTEN PERMISSION					
DIMENSION UNITS	SCALE	CURRENT REV DESC:			
mm	10:1	<p style="text-align: center;">molex</p> <p style="text-align: center;">0.5 FPC CONN ASSY ZIF FOR SMT EMBSTP PKG -LEAD FREE-</p> <p style="text-align: center;">PRODUCT CUSTOMER DRAWING</p>			
GENERAL TOLERANCES (UNLESS SPECIFIED)					
ANGULAR TOL	± 3.0°				
4 PLACES	± 0.2				
3 PLACES	± 0.2				
2 PLACES	± 0.2				
1 PLACE	± 0.25	INITIAL REVISION:		DOCUMENT NUMBER	DOC TYPE
0 PLACES	± 0.3	DRWN: MNABEI 2004/07/14		SD-52559-049	PSD
DRAFT WHERE APPLICABLE MUST REMAIN WITHIN DIMENSIONS		THIRD ANGLE PROJECTION	DRAWING	SERIES	MATERIAL NUMBER
			A3-SIZE	52559	SEE TABLE
		CUSTOMER		DOC PART	REVISION
		GENERAL MARKET		001	L
		SHEET NUMBER		1 OF 6	



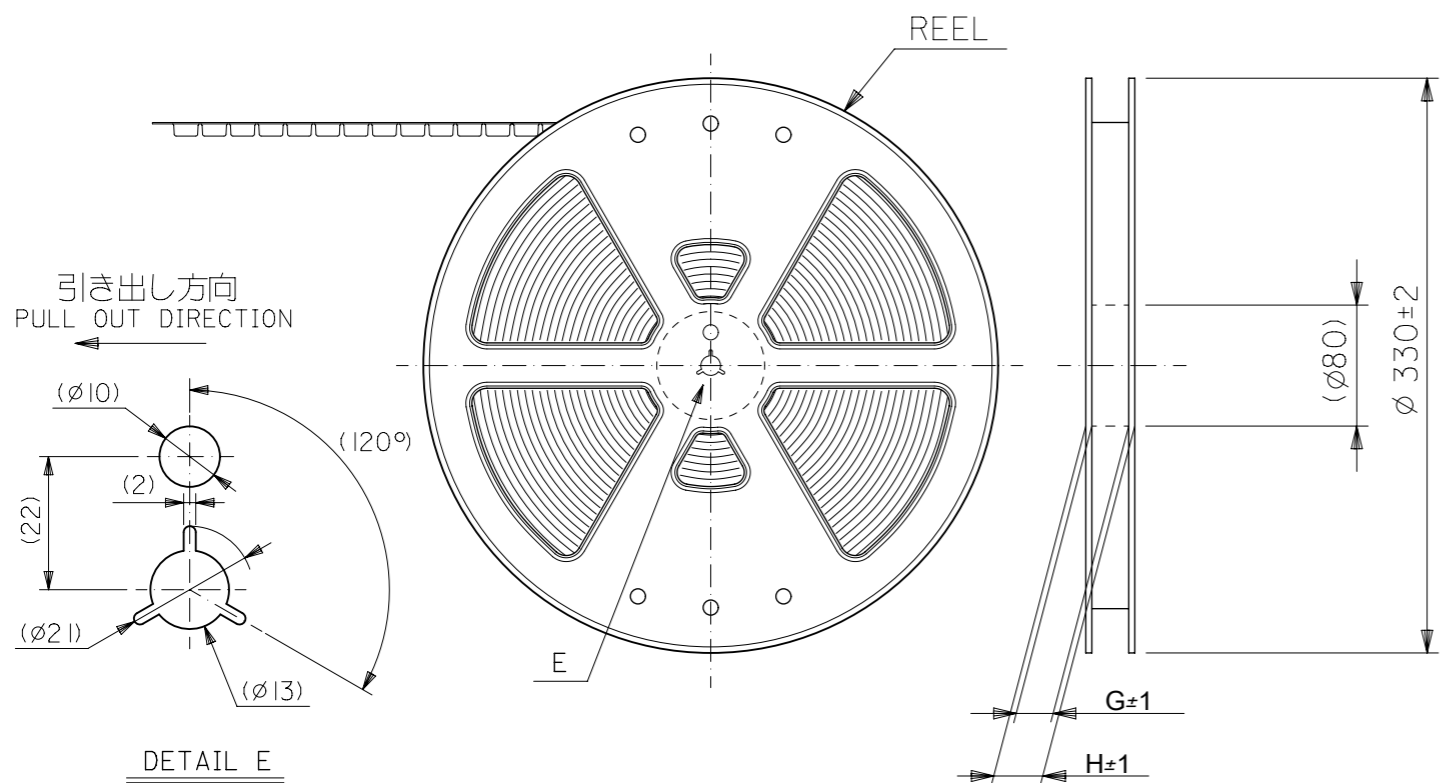
FPC構成推奨仕様
STRUCTURE OF FPC

FPCについて:
打抜き方向は導体側から補強板側を推奨致します。
補強フィルム材質はポリイミドを推奨致します。
接着剤は熱硬化接着剤を推奨致します。

ABOUT FPC:
RECOMMENDED PUNCHER DIRECTION: FROM CONDUCTOR SIDE TO STIFFENER BOARD SIDE.
RECOMMENDED MATERIAL:
STIFFENER FILM: POLYIMIDE
BONDING AGENT: THERMOSETTING BONDING AGENT

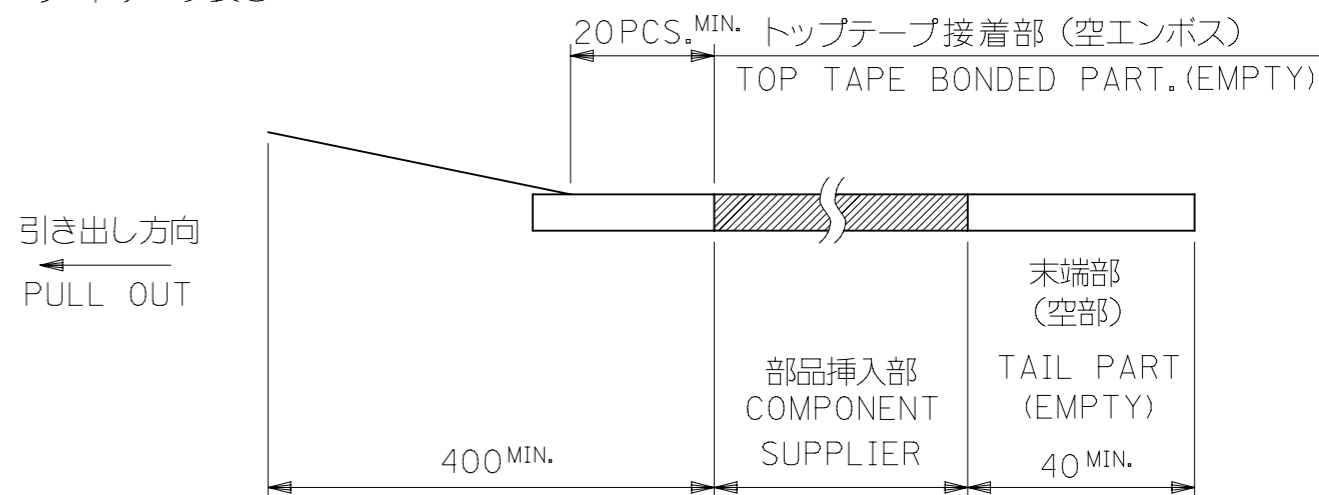
FFC構成推奨仕様
STRUCTURE OF FFC

THIS DRAWING CONTAINS INFORMATION THAT IS PROPRIETARY TO MOLEX ELECTRONIC TECHNOLOGIES, LLC AND SHOULD NOT BE USED WITHOUT WRITTEN PERMISSION									
DIMENSION UNITS		SCALE		CURRENT REV DESC:					
mm		5:1		<p>molex</p> <p>0.5 FPC CONN ASSY ZIF FOR SMT EMBSTP PKG -LEAD FREE-</p> <p>PRODUCT CUSTOMER DRAWING</p> <p>DOCUMENT NUMBER: SD-52559-049</p> <p>DOC TYPE: PSD</p> <p>DOC PART: 001</p> <p>REVISION: L</p> <p>SHEET NUMBER: 2 OF 6</p>					
GENERAL TOLERANCES (UNLESS SPECIFIED)									
ANGULAR TOL ± 3.0°									
4 PLACES ± 0.2									
3 PLACES ± 0.2									
2 PLACES ± 0.2									
1 PLACE ± 0.25									
0 PLACES ± 0.3									
DRAFT WHERE APPLICABLE MUST REMAIN WITHIN DIMENSIONS				THIRD ANGLE PROJECTION		DRAWING		SERIES	
DOCUMENT STATUS		P1		RELEASE DATE		2018/05/14		04:50:40	



注記 NOTES

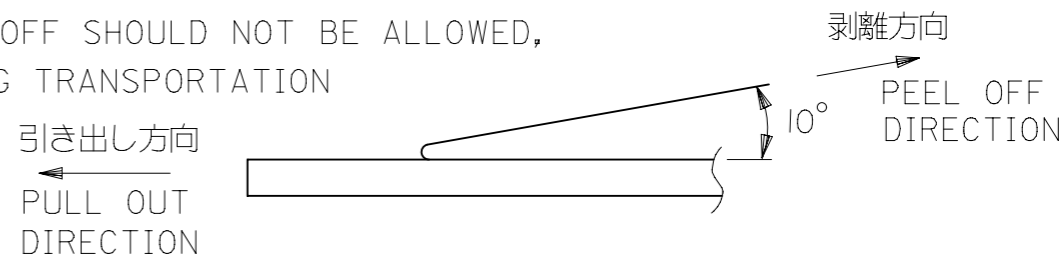
1. 梱包状態はアクチュエータがロックした状態とする。
IN THE PACKAGE, ACTUATOR SHOULD BE LOCKED.
2. 梱包数量：1000個/リール
NUMBER OF CONNECTORS: 1000PCS/REEL
3. リードテープ長さ LEAD TAPE LENGTH



4. トップテープの剥離強度：(剥離方向は下図参照)
0. 1N~1.3N {10gf~130gf} 尚、本規格値は、出荷時に適用。

(但し、輸送時に剥離が発生しない事。)

PEELING OFF FORCE OF TOP TAPE
0. 1N~1.3N {10gf~130gf} (PEELING DIRECTION AS SHOWN IN FOLLOWING FIG.)
THIS REQUIREMENT SHOULD BE APPLIED AT SHIPMENT
PEEL OFF SHOULD NOT BE ALLOWED,
DURING TRANSPORTATION

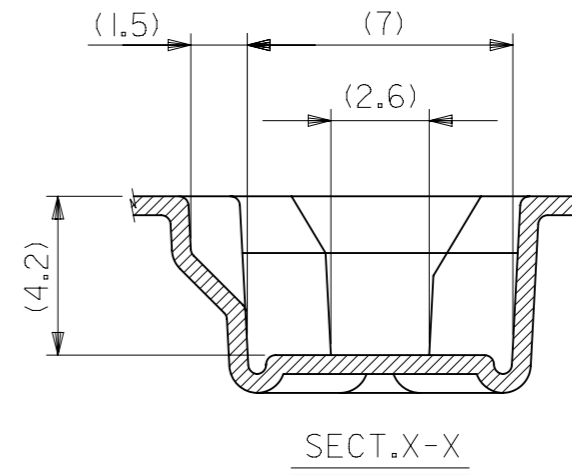
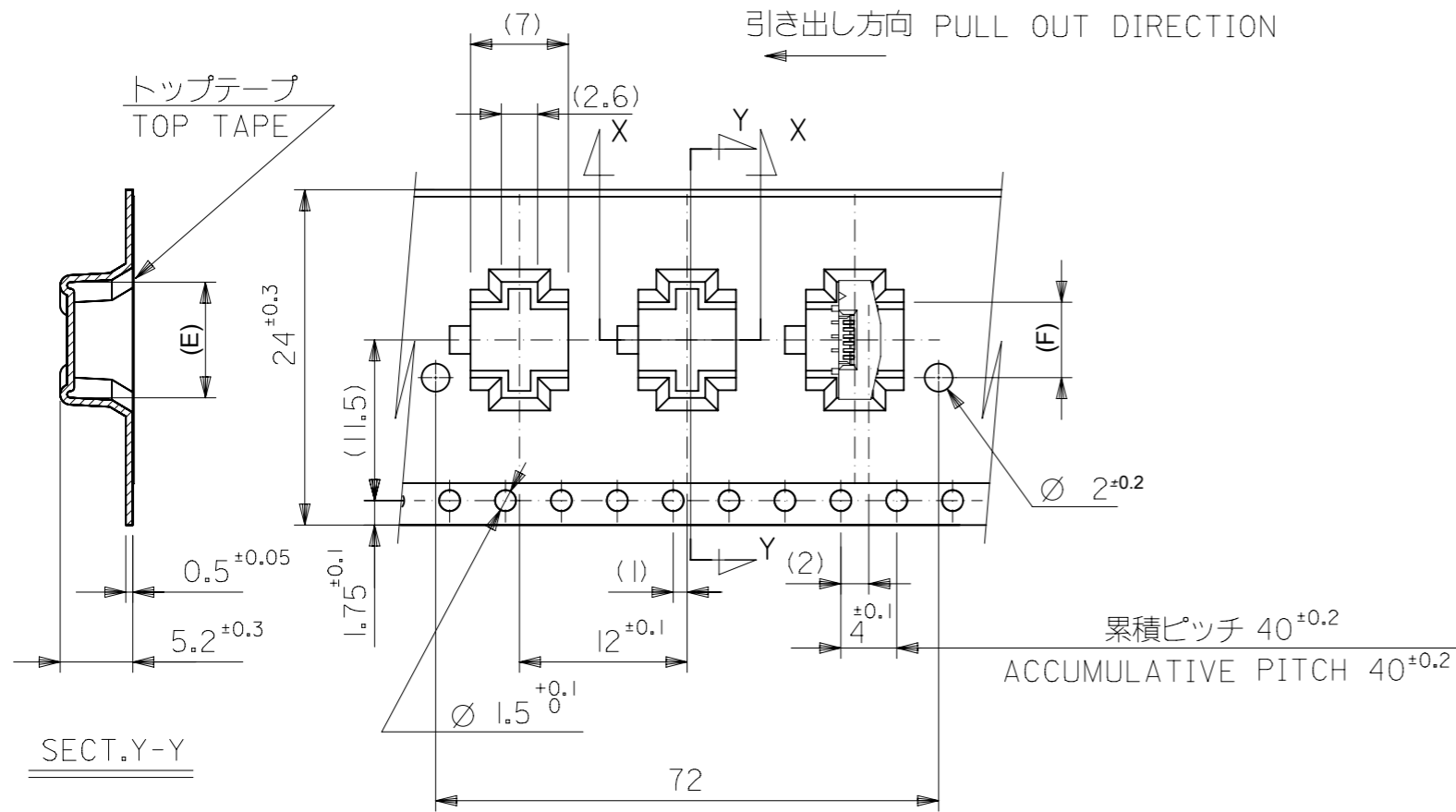


5. 材料
キャリアテープ：ポリプロピレン (PP)
トップテープ：PET, PE, PEF
リール：ポリスチレン (PS) <リサイクル材を含む>

MATERIAL CARRIER TAPE: POLYPROPYLENE
TOP TAPE: PET, PE, PEF
REEL: POLYSTYRENE (PS)
<RECYCLE MATERIAL CONTAINED>

6. 本製品は52559-**53のエンボステープ違い品である。
THIS PRODUCT IS EMBOSSED TAPE DIFFERENCE ARTICLE OF 52559-**53.
7. 本製品は乾燥剤入り、ハイバリア梱包仕様である。
THIS PRODUCT IS HIGH BARRIER PACKAGE WITH DESICCANT.

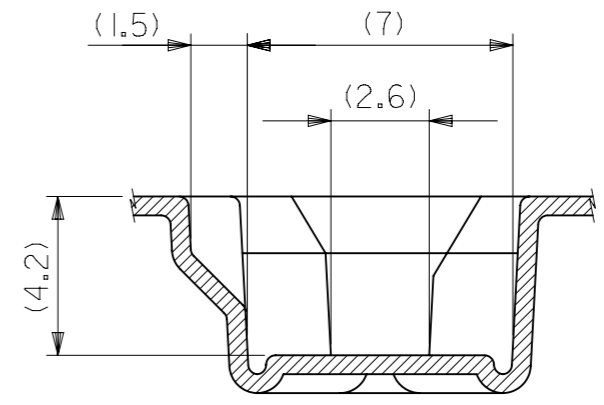
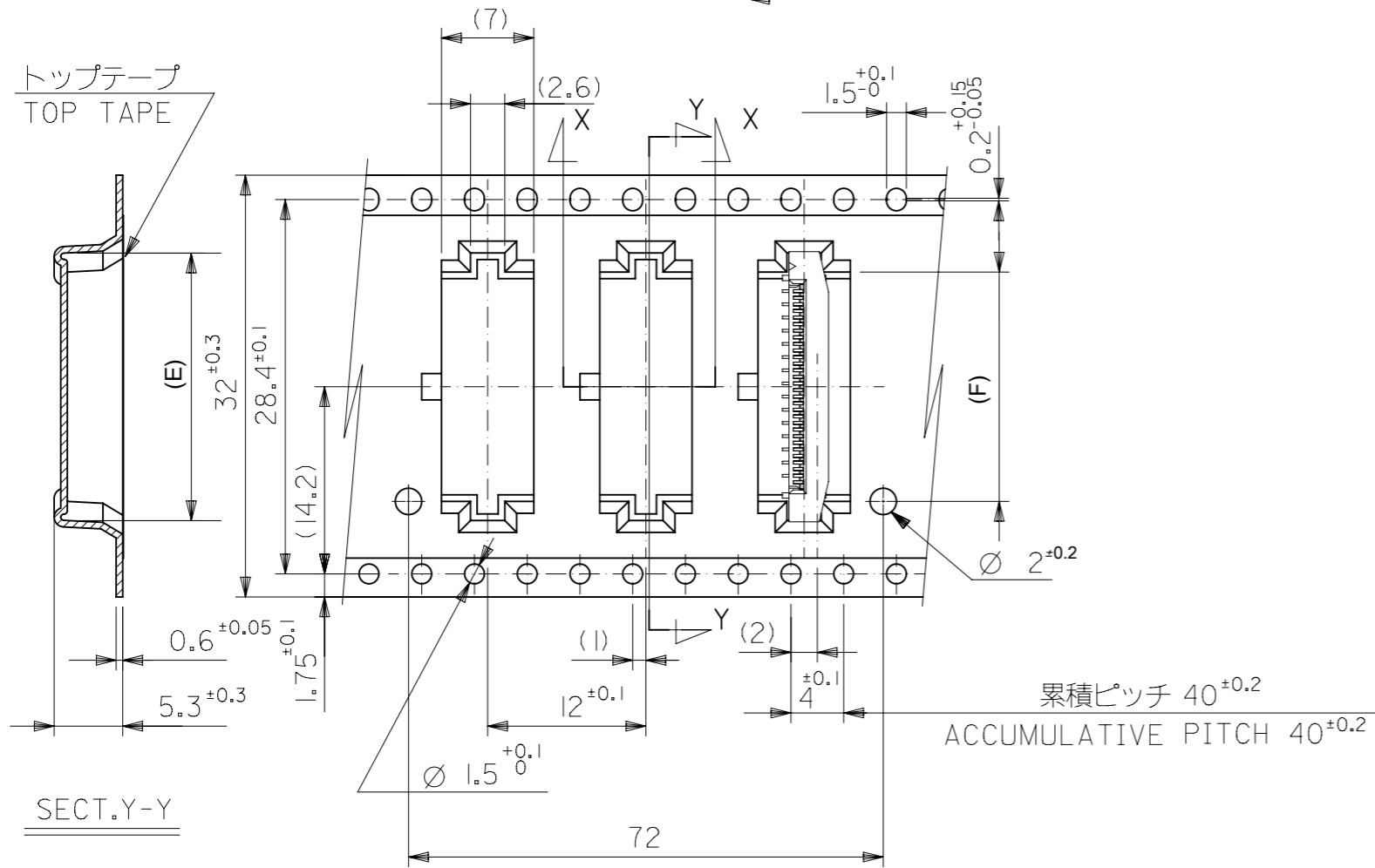
THIS DRAWING CONTAINS INFORMATION THAT IS PROPRIETARY TO MOLEX ELECTRONIC TECHNOLOGIES, LLC AND SHOULD NOT BE USED WITHOUT WRITTEN PERMISSION									
DIMENSION UNITS		SCALE		CURRENT REV DESC:				molex	
mm		±							
GENERAL TOLERANCES (UNLESS SPECIFIED)				EC NO: 176518				0.5 FPC CONN ASSY ZIF	
ANGULAR TOL ± 3.0°				DRWN: TNAKAGAWA01 2018/05/09				FOR SMT EMBSTP PKG -LEAD FREE-	
4 PLACES ± 0.2				CHK'D: RTAKEUCHI 2018/05/14				PRODUCT CUSTOMER DRAWING	
3 PLACES ± 0.2				APPR: RTAKEUCHI 2018/05/14				DOCUMENT NUMBER	
2 PLACES ± 0.2				INITIAL REVISION:				SD-52559-049	
1 PLACE ± 0.25				DRWN: MNABEI 2004/07/14				DOC TYPE	
0 PLACES ± 0.3				APPR: NUKITA 2004/07/14				PSD	
DRAFT WHERE APPLICABLE MUST REMAIN WITHIN DIMENSIONS				THIRD ANGLE PROJECTION		DRAWING		DOC PART	
				A3-SIZE		SERIES		REVISION	
				52559		MATERIAL NUMBER		001	
				SEE SHEET 4-6		CUSTOMER		L	
				GENERAL MARKET		SHEET NUMBER		3 OF 6	



24	29.4	25.4	14.4	17.3	52559-2452	24		
			13.9	16.8	52559-2352	23		
			12.9	15.8	52559-2152	21		
			12.4	15.3	52559-2052	20		
			10.9	13.8	52559-1752	17		
			10.4	13.3	52559-1652	16		
			9.9	12.8	52559-1552	15		
			9.4	12.3	52559-1452	14		
			8.4	11.3	52559-1252	12		
			7.4	10.3	52559-1052	10		
			6.9	9.8	52559-0952	9		
			5.4	8.3	52559-0652	6		
CARRIER TAPE WIDTH			H	G	(F)	(E)	ORDER No.	CKT.

THIS DRAWING CONTAINS INFORMATION THAT IS PROPRIETARY TO MOLEX ELECTRONIC TECHNOLOGIES, LLC AND SHOULD NOT BE USED WITHOUT WRITTEN PERMISSION		CURRENT REV DESC:		molex				
DIMENSION UNITS	SCALE	EC NO: 176518						0.5 FPC CONN ASSY ZIF FOR SMT EMBSTP PKG -LEAD FREE-
mm	±±	DRWN: TNAKAGAWA01 2018/05/09		PRODUCT CUSTOMER DRAWING				
GENERAL TOLERANCES (UNLESS SPECIFIED)		CHK'D: RTAKEUCHI 2018/05/14		DOCUMENT NUMBER		DOC TYPE	DOC PART	REVISION
ANGULAR TOL	± 3.0 °	APPR: RTAKEUCHI 2018/05/14		SD-52559-049		PSD	001	L
4 PLACES	± 0.2	INITIAL REVISION:		MATERIAL NUMBER		CUSTOMER		SHEET NUMBER
3 PLACES	± 0.2	DRWN: MNABEI 2004/07/14		SEE TABLE		GENERAL MARKET		4 OF 6
2 PLACES	± 0.2	APPR: NUKITA 2004/07/14		SERIES		SHEET NUMBER		
1 PLACE	± 0.25	DRAFT WHERE APPLICABLE MUST REMAIN WITHIN DIMENSIONS		A3-SIZE		4 OF 6		
0 PLACES	± 0.3	THIRD ANGLE PROJECTION		52559				

引き出し方向 PULL OUT DIRECTION



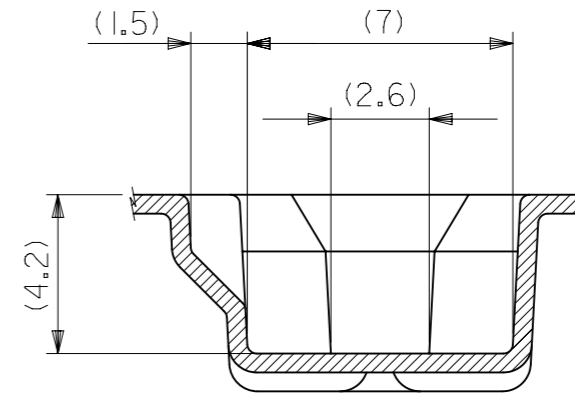
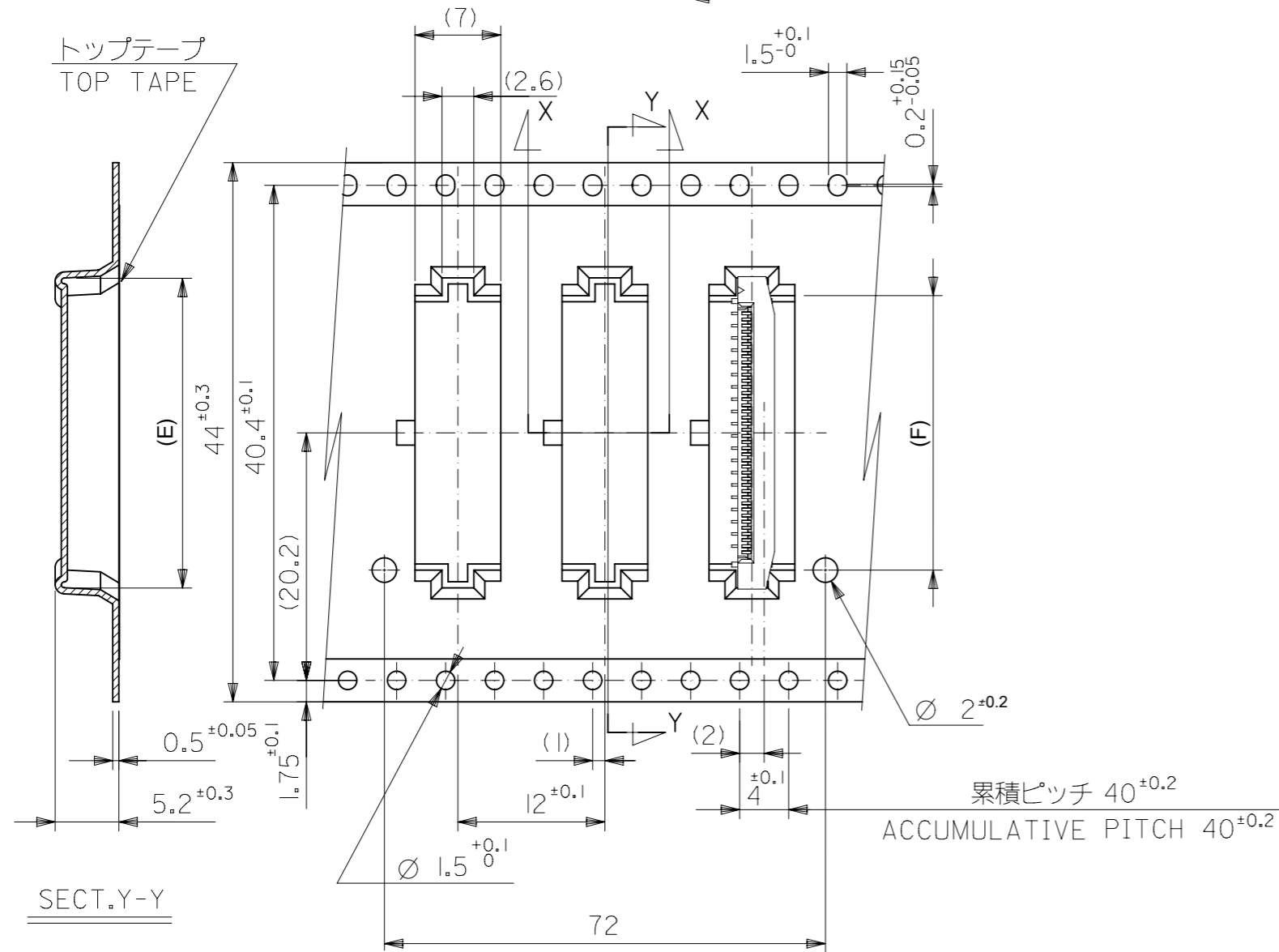
32mm幅キャリアテープ
32mm WIDTH CARRIER TAPE

累積ピッチ 40^{±0.2}
ACCUMULATIVE PITCH 40^{±0.2}

32	37.4	33.4	18.4	21.3	52559-3252	32		
			17.4	20.3	52559-3052	30		
			16.4	19.3	52559-2852	28		
			15.9	18.8	52559-2752	27		
			15.4	18.3	52559-2652	26		
CARRIER TAPE WIDTH			H	G	(F)	(E)	ORDER No.	CKT.

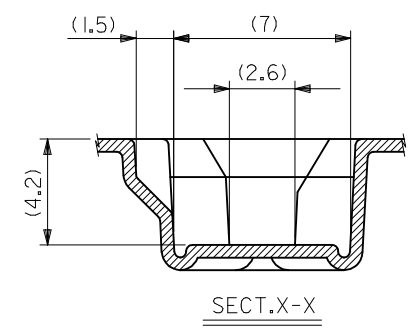
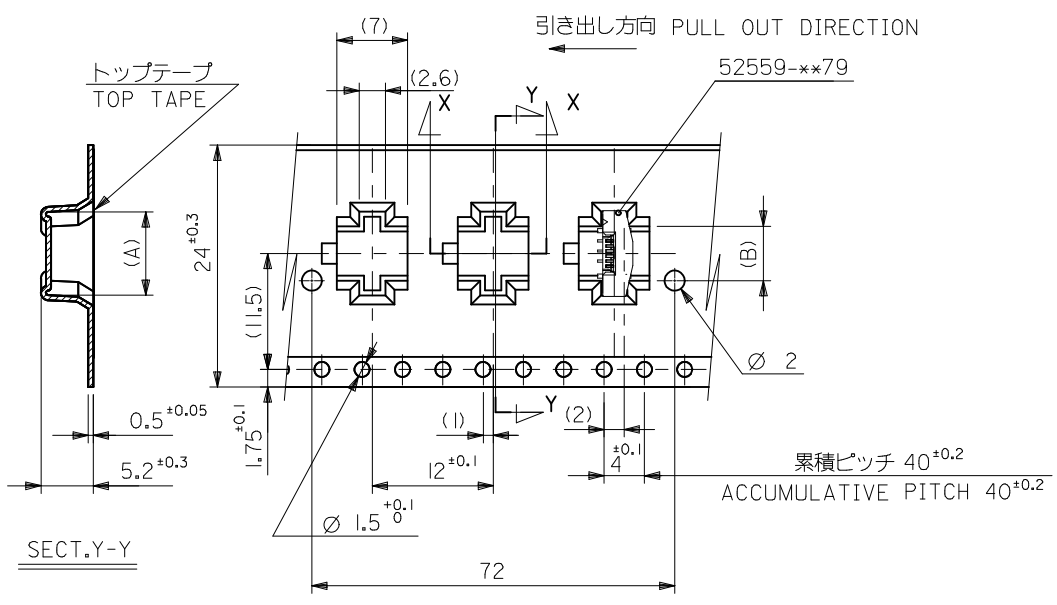
THIS DRAWING CONTAINS INFORMATION THAT IS PROPRIETARY TO MOLEX ELECTRONIC TECHNOLOGIES, LLC AND SHOULD NOT BE USED WITHOUT WRITTEN PERMISSION									
DIMENSION UNITS mm		SCALE 1:1		CURRENT REV DESC:					
GENERAL TOLERANCES (UNLESS SPECIFIED)				<p>molex</p> <p>0.5 FPC CONN ASSY ZIF FOR SMT EMBSTP PKG -LEAD FREE-</p> <p>PRODUCT CUSTOMER DRAWING</p>					
ANGULAR TOL		± 3.0 °							
4 PLACES		± 0.2							
3 PLACES		± 0.2							
2 PLACES		± 0.2							
1 PLACE		± 0.25		INITIAL REVISION:					
0 PLACES		± 0.3		DRWN: MNABEI		2004/07/14		DOCUMENT NUMBER	
DRAFT WHERE APPLICABLE MUST REMAIN WITHIN DIMENSIONS				THIRD ANGLE PROJECTION		DRAWING		SERIES	
P1		RELEASE DATE		2018/05/14		04:50:40		SD-52559-049	
A3-SIZE		52559		SEE TABLE		GENERAL MARKET		5 OF 6	

引き出し方向 PULL OUT DIRECTION



44	49.4	45.4	22.4	25.3	52559-4052	40
			20.4	23.3	52559-3652	36
CARRIER TAPE WIDTH			H	G	(F)	(E)
					ORDER No.	CKT.

THIS DRAWING CONTAINS INFORMATION THAT IS PROPRIETARY TO MOLEX ELECTRONIC TECHNOLOGIES, LLC AND SHOULD NOT BE USED WITHOUT WRITTEN PERMISSION								
DIMENSION UNITS	SCALE	CURRENT REV DESC:						
mm	±±	molex 0.5 FPC CONN ASSY ZIF FOR SMT EMBSTP PKG -LEAD FREE- PRODUCT CUSTOMER DRAWING						
GENERAL TOLERANCES (UNLESS SPECIFIED)								
ANGULAR TOL	± 3.0°							
4 PLACES	± 0.2							
3 PLACES	± 0.2							
2 PLACES	± 0.2	INITIAL REVISION:		DOCUMENT NUMBER	DOC TYPE	DOC PART	REVISION	
1 PLACE	± 0.25	DRWN: MNABEI 2004/07/14		SD-52559-049	PSD	001	L	
0 PLACES	± 0.3	APPR: NUKITA 2004/07/14						
DRAFT WHERE APPLICABLE MUST REMAIN WITHIN DIMENSIONS		THIRD ANGLE PROJECTION	DRAWING	SERIES	MATERIAL NUMBER	CUSTOMER		SHEET NUMBER
			A3-SIZE	52559	SEE TABLE	GENERAL MARKET		6 OF 6

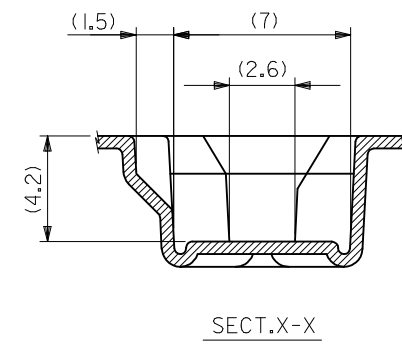
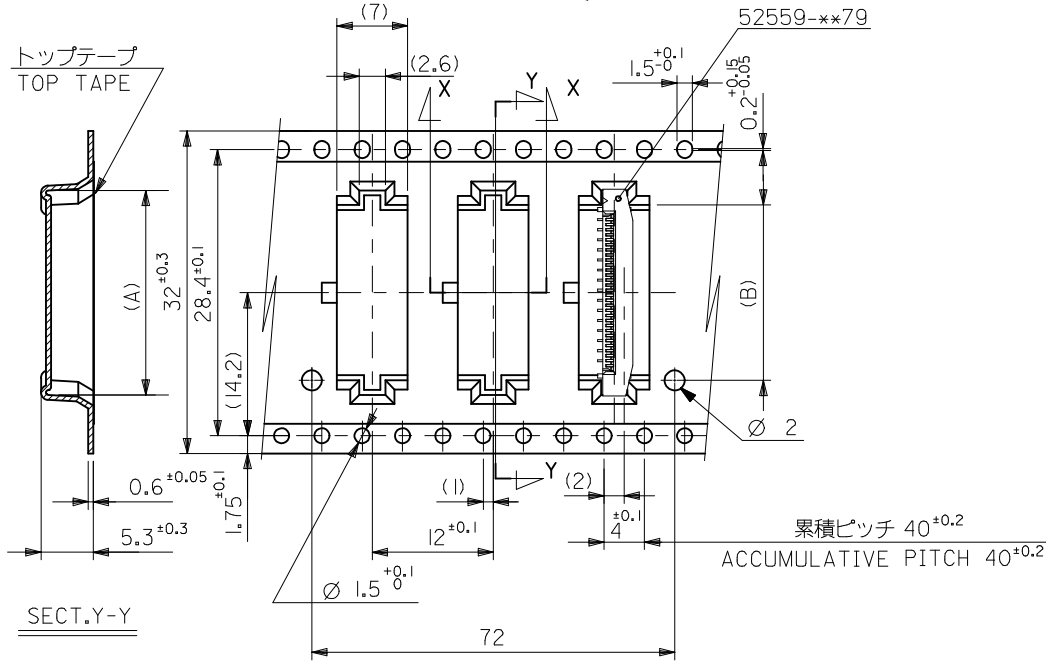


24mm幅キャリアテープ
24mm WIDTH CARRIER TAPE

24	29.4	25.4	(B)	(A)	52559-2452	24
			(B)	(A)	52559-2352	23
			(B)	(A)	52559-2152	21
			(B)	(A)	52559-2052	20
			(B)	(A)	52559-1752	17
			(B)	(A)	52559-1652	16
			(B)	(A)	52559-1552	15
			(B)	(A)	52559-1452	14
			(B)	(A)	52559-1252	12
			(B)	(A)	52559-1052	10
(B)	(A)	52559-0952	9			
(B)	(A)	52559-0652	6			

REVISED EC NO: J2016-0020 DRWN: YUHASEGAWA 2015/07/06 CHKD: APPR: YNOGAWA 2015/07/10 K	GENERAL TOLERANCES (UNLESS SPECIFIED)		DIMENSION STYLE MM ONLY		SCALE ---	DESIGN UNITS METRIC	THIRD ANGLE PROJECTION
	0.25 UNDER	UNDER	±0.03	DRAWN BY MNABEI	DATE '04/07/13	TITLE 0.5 FPC CONN ASSY ZIF FOR SMT EMBSTP PKG -LEAD FREE-	
	0.25 OVER	0.5 UNDER	±0.05	CHECKED BY KTOJO	DATE '04/07/13		
	0.5 OVER	1.0 UNDER	±0.1	APPROVED BY NUKITA	DATE '04/07/13		
	1.0 OVER	10 UNDER	±0.2	MATERIAL NO.	DOCUMENT NO.	SEE CHART	SD-52559-049
30 OVER		±0.3	DRAFT WHERE APPLICABLE MUST REMAIN WITHIN DIMENSIONS		THIS DRAWING CONTAINS INFORMATION THAT IS PROPRIETARY TO MOLEX INCORPORATED AND SHOULD NOT BE USED WITHOUT WRITTEN PERMISSION		

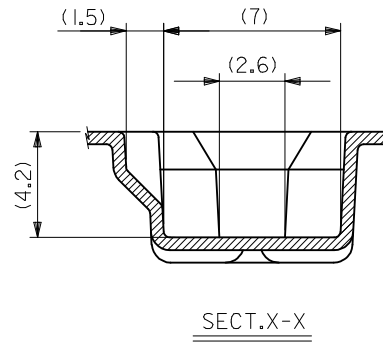
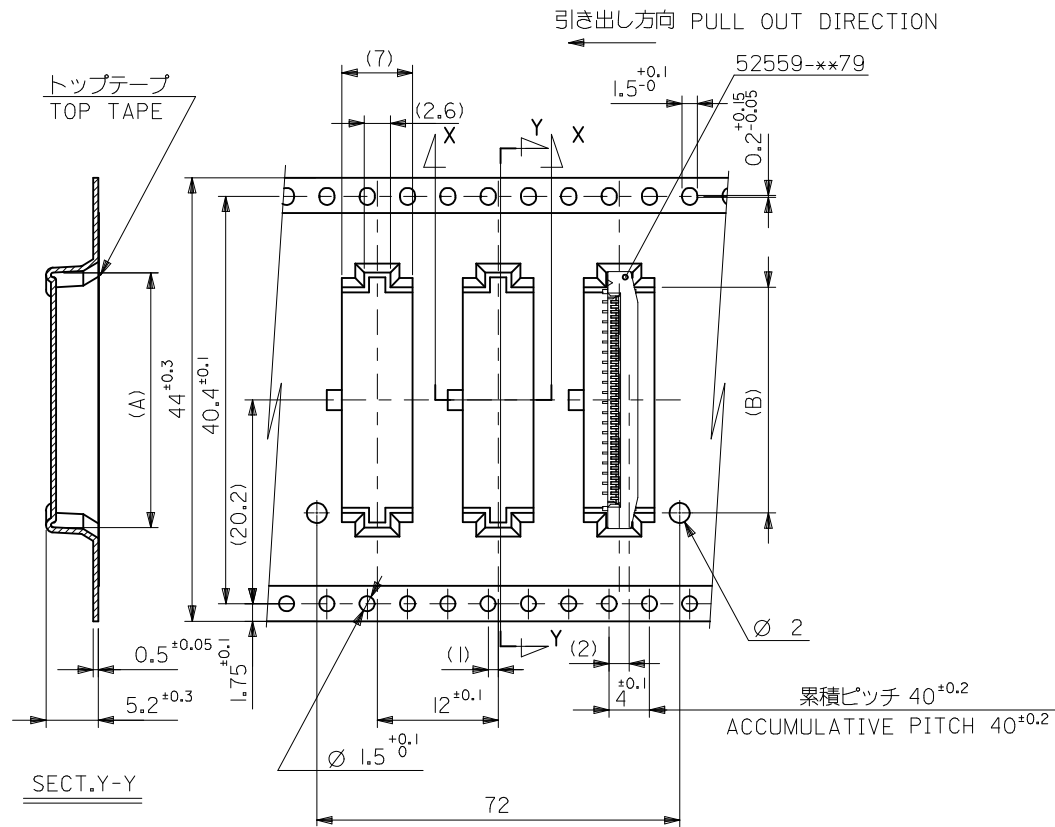
引き出し方向 PULL OUT DIRECTION



32mm幅キャリアテープ
32mm WIDTH CARRIER TAPE

32	37.4	33.4	18.4	21.3	52559-3252	32
			17.4	20.3	52559-3052	30
			16.4	19.3	52559-2852	28
			15.9	18.8	52559-2752	27
			15.4	18.3	52559-2652	26
キャリアテープ幅 CARRIER TAPE WIDTH	D	C	(B)	(A)	MATERIAL NO.	CIRCUIT NO.

REVISED EC NO: J2016-0020 DRWN: YUHASEGAWA 2015/07/16 CHKD: APPR: YNOGAWA 2015/07/10 K	GENERAL TOLERANCES (UNLESS SPECIFIED)			DIMENSION STYLE MM ONLY		SCALE ---		DESIGN UNITS METRIC		THIRD ANGLE PROJECTION		
	0.25	UNDER	UNDER	±0.03	DRAWN BY	DATE	TITLE					
	0.25	OVER	0.5	UNDER	±0.05	MNABEI	'04/07/13	0.5 FPC CONN ASSY ZIF FOR SMT EMBSTP PKG -LEAD FREE- molex SD-52559-049				
	0.5	OVER	1.0	UNDER	±0.1	CHECKED BY	DATE					
	1.0	OVER	10	UNDER	±0.2	KTOJO	'04/07/13					
	10	OVER	30	UNDER	±0.25	APPROVED BY	DATE					
	30	OVER			±0.3	NUKITA	'04/07/13					
		ANGULAR ±3 °			MATERIAL NO.		DOCUMENT NO.		SHEET NO.			
	DRAFT WHERE APPLICABLE MUST REMAIN WITHIN DIMENSIONS											
		SIZE	THIS DRAWING CONTAINS INFORMATION THAT IS PROPRIETARY TO MOLEX INCORPORATED AND SHOULD NOT BE USED WITHOUT WRITTEN PERMISSION									
	A3											



44mm幅キャリアテープ
44mm WIDTH CARRIER TAPE

44	49.4	45.4	22.4	25.3	52559-4052	40
キャリアテープ幅 CARRIER TAPE WIDTH	D	C	(B)	(A)	52559-3652	36
					MATERIAL NO.	CIRCUIT NO.

REVISED EC NO: J2016-0020 DRWN: YUASEGAWA 2015/07/06 CHKD: APPR: YNOGAWA 2015/07/10	GENERAL TOLERANCES (UNLESS SPECIFIED)		DIMENSION STYLE		SCALE	DESIGN UNITS	THIRD ANGLE PROJECTION
	0.25 UNDER	UNDER	±0.03	MM ONLY	---	METRIC	☉ □
	0.25 OVER	0.5 UNDER	±0.05	DRAWN BY	DATE	TITLE	
	0.5 OVER	1.0 UNDER	±0.1	MNABEI	'04/07/13	0.5 FPC CONN ASSY ZIF FOR SMT EMBSTP PKG -LEAD FREE-	
1.0 OVER	10 UNDER	±0.2	CHECKED BY	DATE	DRAWN BY		DATE
30 OVER	30 UNDER	±0.25	KTOJO	'04/07/13	CHECKED BY		DATE
ANGULAR	±3 °		APPROVED BY	DATE	APPROVED BY		DATE
			NUKITA	'04/07/13	MATERIAL NO.		DOCUMENT NO.
DRAFT WHERE APPLICABLE MUST REMAIN WITHIN DIMENSIONS			SEE CHART		SD-52559-049		SHEET NO.
			A3		THIS DRAWING CONTAINS INFORMATION THAT IS PROPRIETARY TO MOLEX INCORPORATED AND SHOULD NOT BE USED WITHOUT WRITTEN PERMISSION		4 OF 4

Looking for pricing, stock, or lifecycle information?

Click below to explore more details on WIN SOURCE:

 [View 525593052 on WIN SOURCE](#)

 [Molex, LLC Information](#)

Optimize Your Supply Chain with WIN SOURCE Solutions

-  Global Sourcing Solution
-  Obsolete Management
-  Cost Control Management
-  Shortage Management
-  Alternative Solution
-  Excess Inventory Management