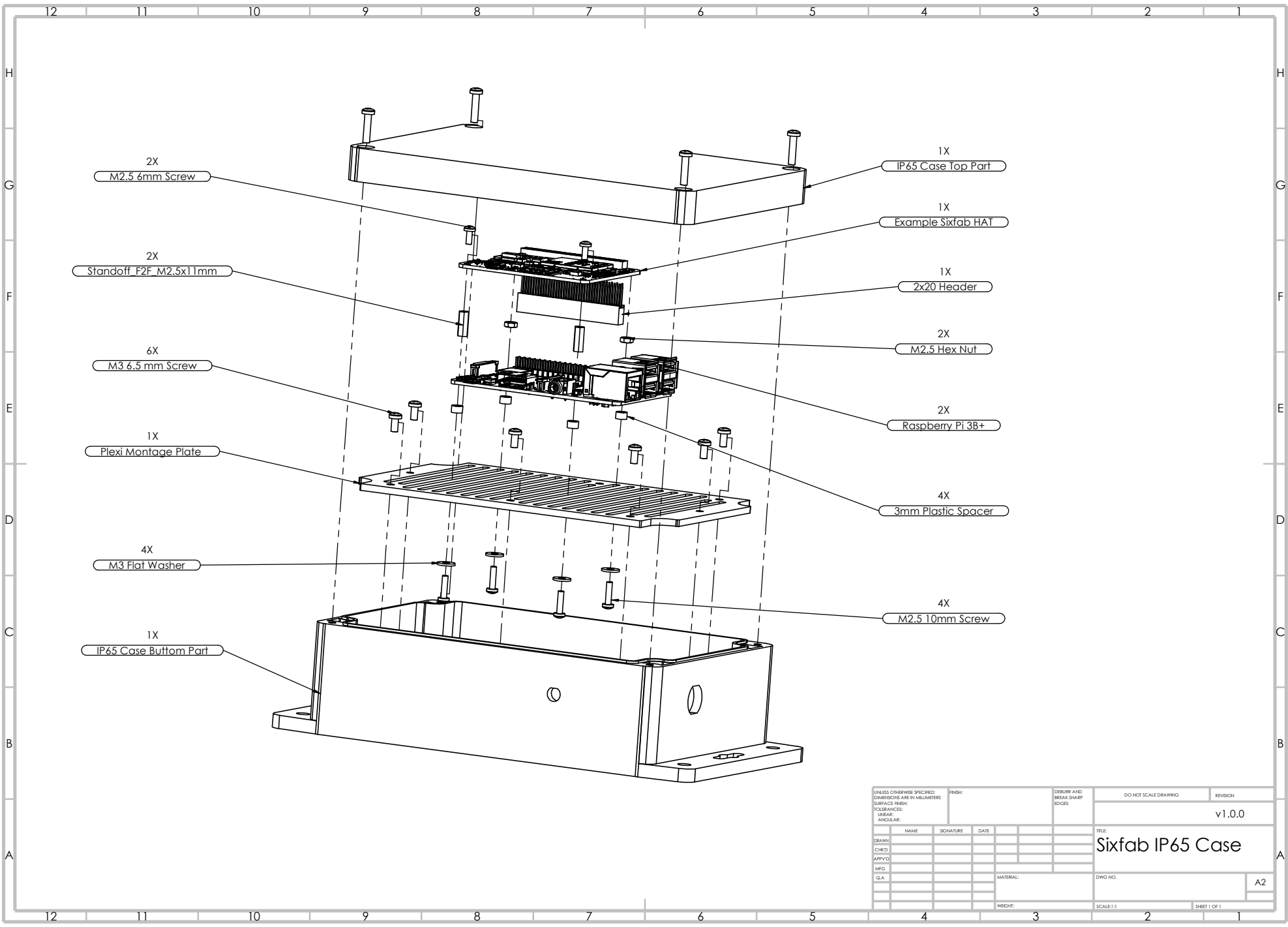




**THE DATASHEET OF
S104**






UNLESS OTHERWISE SPECIFIED: DIMENSIONS ARE IN MILLIMETERS SURFACE FINISH: TOLERANCES: LINEAR: ANGULAR:			FINISH:	DEBURR AND BREAK SHARP EDGES	DO NOT SCALE DRAWING	REVISION
						v1.0.0
DESIGN:	NAME	SIGNATURE	DATE	TITLE: Sixfab IP65 Case		
CHKD:				DWG NO.		
APPVD:				SCALE: 1:1		
MFG:				SHEET 1 OF 1		
Q.A.				A2		
				WEIGHT:		

Looking for pricing, stock, or lifecycle information?

Click below to explore more details on WIN SOURCE:

 [View S104 on WIN SOURCE](#)

 [Sixfab Information](#)

Optimize Your Supply Chain with WIN SOURCE Solutions

-  Global Sourcing Solution
-  Obsolete Management
-  Cost Control Management
-  Shortage Management
-  Alternative Solution
-  Excess Inventory Management